

[54] PASSIVE GEOPHYSICAL EXPLORATION DEVICE

D. 243,960 4/1977 Roch et al. .... D14/100 X  
4,438,391 3/1984 Rog et al. .... 324/348 X

[75] Inventors: Carl L. Kober; H. David Procter-Gregg, both of Littleton, Colo.

FOREIGN PATENT DOCUMENTS

548396 11/1957 Canada ..... 324/344

[73] Assignee: Denver Mineral Exploration Corp., Littleton, Colo.

OTHER PUBLICATIONS

Electronic Design 2, 1/18/1977, p. 30-Radiometer.

[\*\*] Term: 14 Years

Primary Examiner—Louis S. Zarfes  
Attorney, Agent, or Firm—Robert C. Dorr

[21] Appl. No.: 602,377

[57] CLAIM

[22] Filed: Apr. 20, 1984

The ornamental design for a passive geophysical exploration device, as shown and described.

[52] U.S. Cl. .... D10/75

[58] Field of Search ..... D10/75, 78-81,  
D10/101, 103, 49; D14/100, 107, 114;  
324/347-350, 332, 344

DESCRIPTION

[56] References Cited

U.S. PATENT DOCUMENTS

D. 180,844 8/1957 Pollakoff ..... D10/49  
D. 198,025 4/1964 Seabury, Jr. et al. .... D10/78  
D. 222,941 2/1972 Knutson ..... D10/75 X

FIG. 1 is a front perspective of the passive geophysical exploration device showing our new design; FIG. 2 is a top plan view thereof; FIG. 3 is a right side elevational view thereof, the left side elevational view being a mirror image thereof; FIG. 4 is a bottom plan view thereof; and FIG. 5 is a right end elevational view thereof, the left end elevational view being a mirror image thereof.

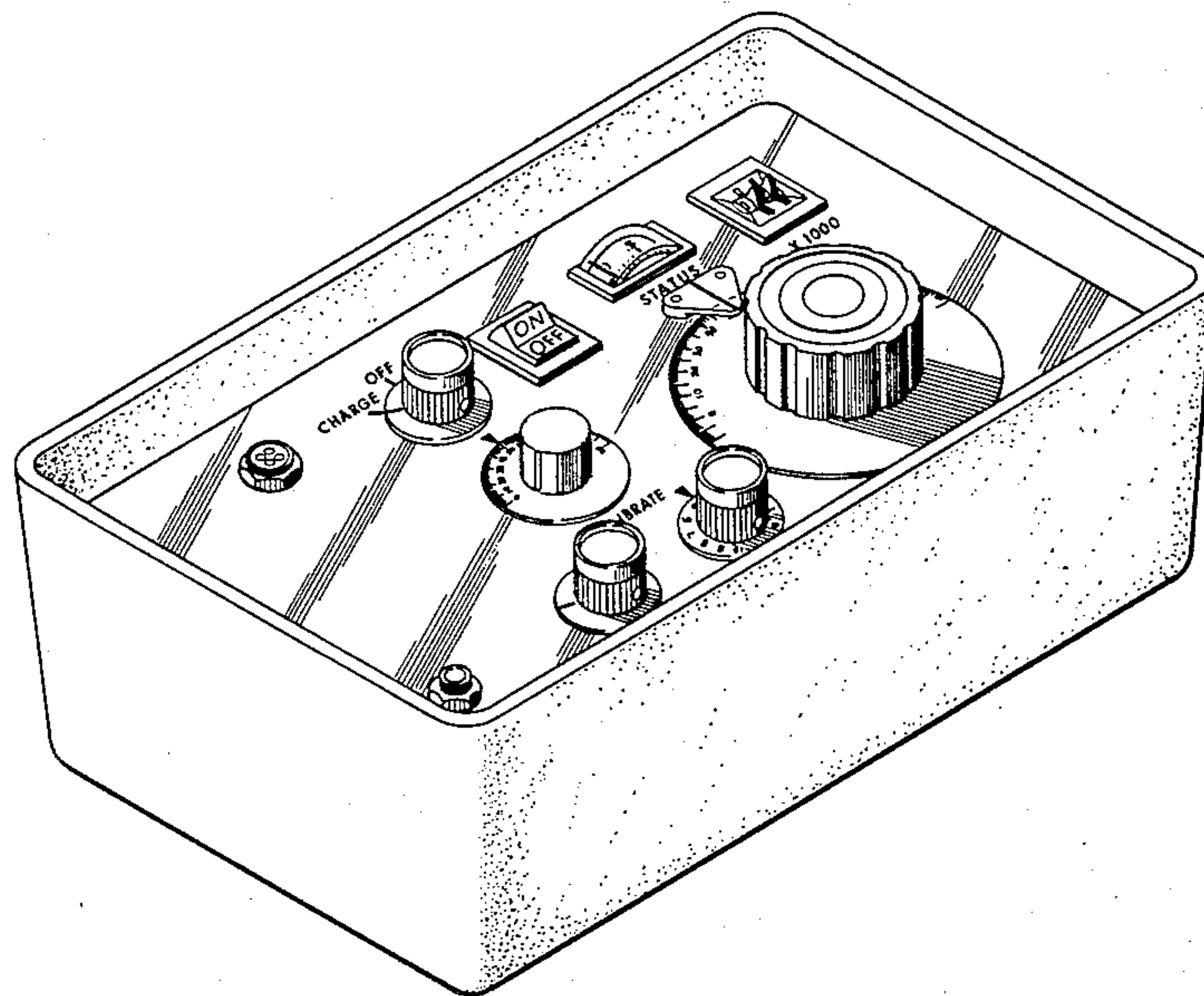


Fig. 1

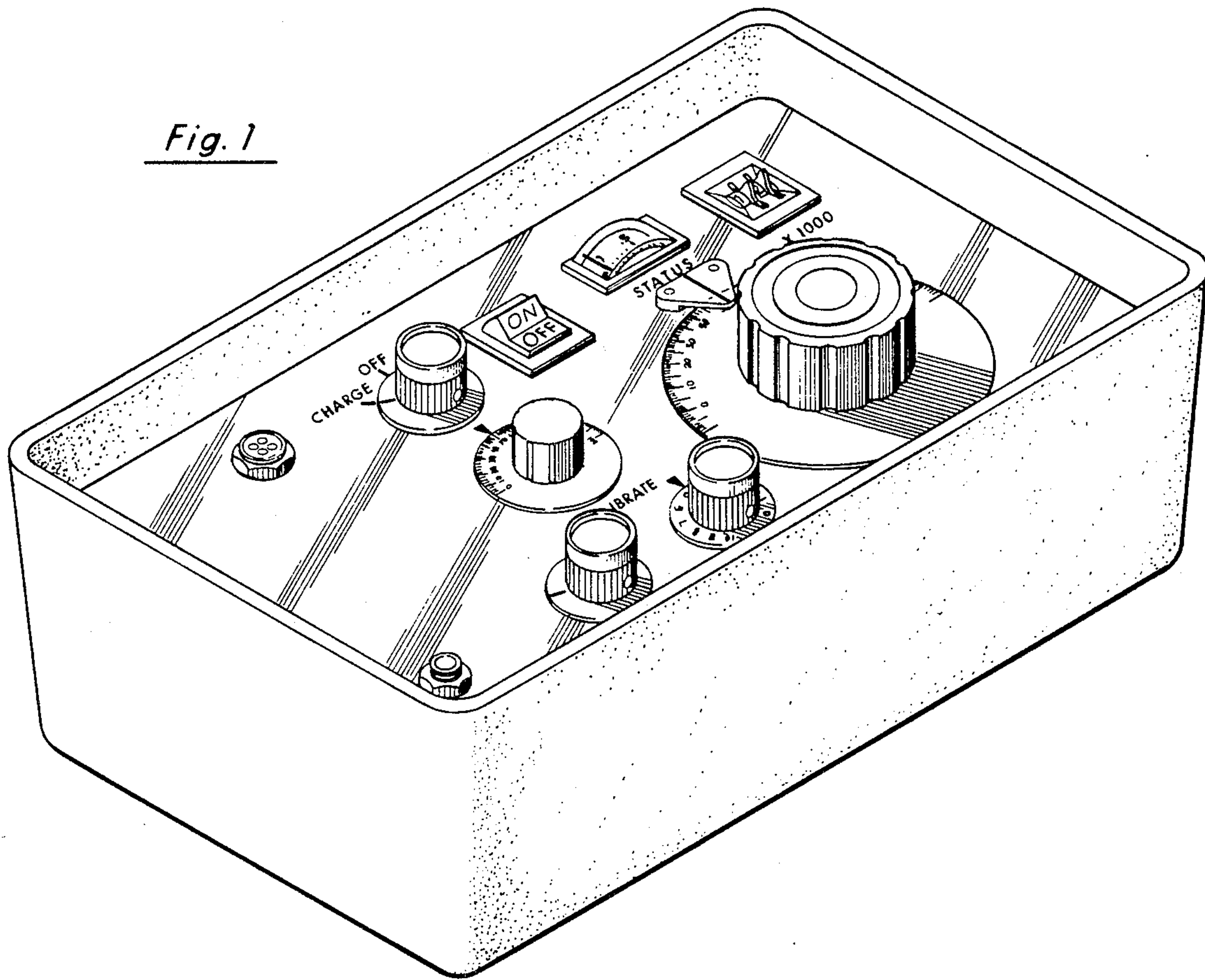


Fig. 2

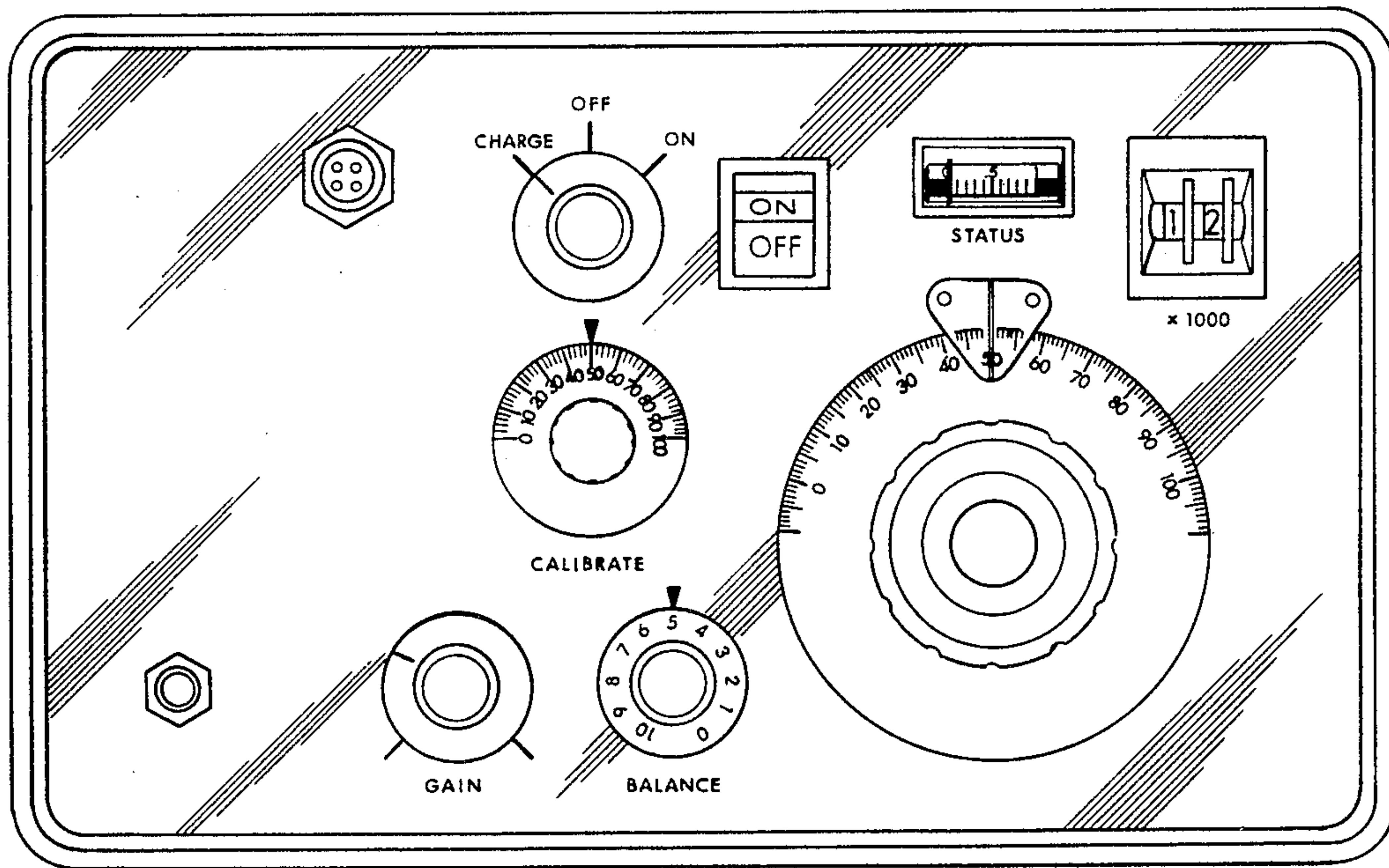


Fig. 3

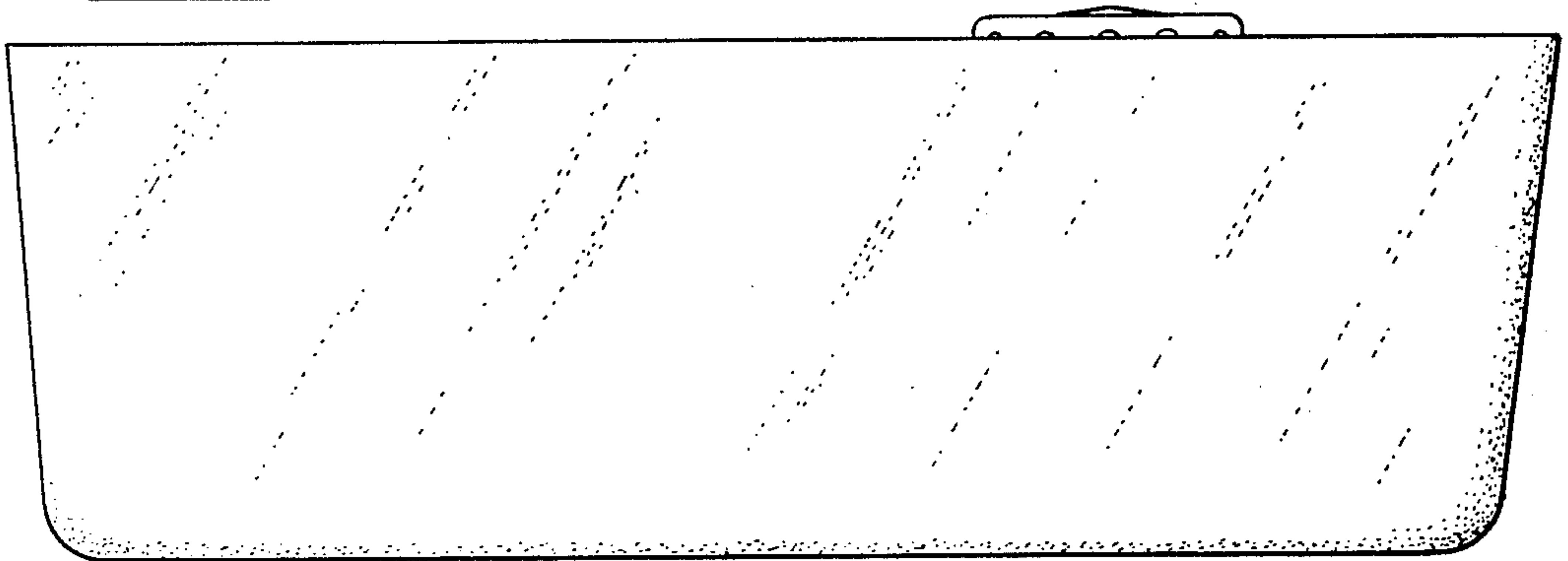


Fig. 4

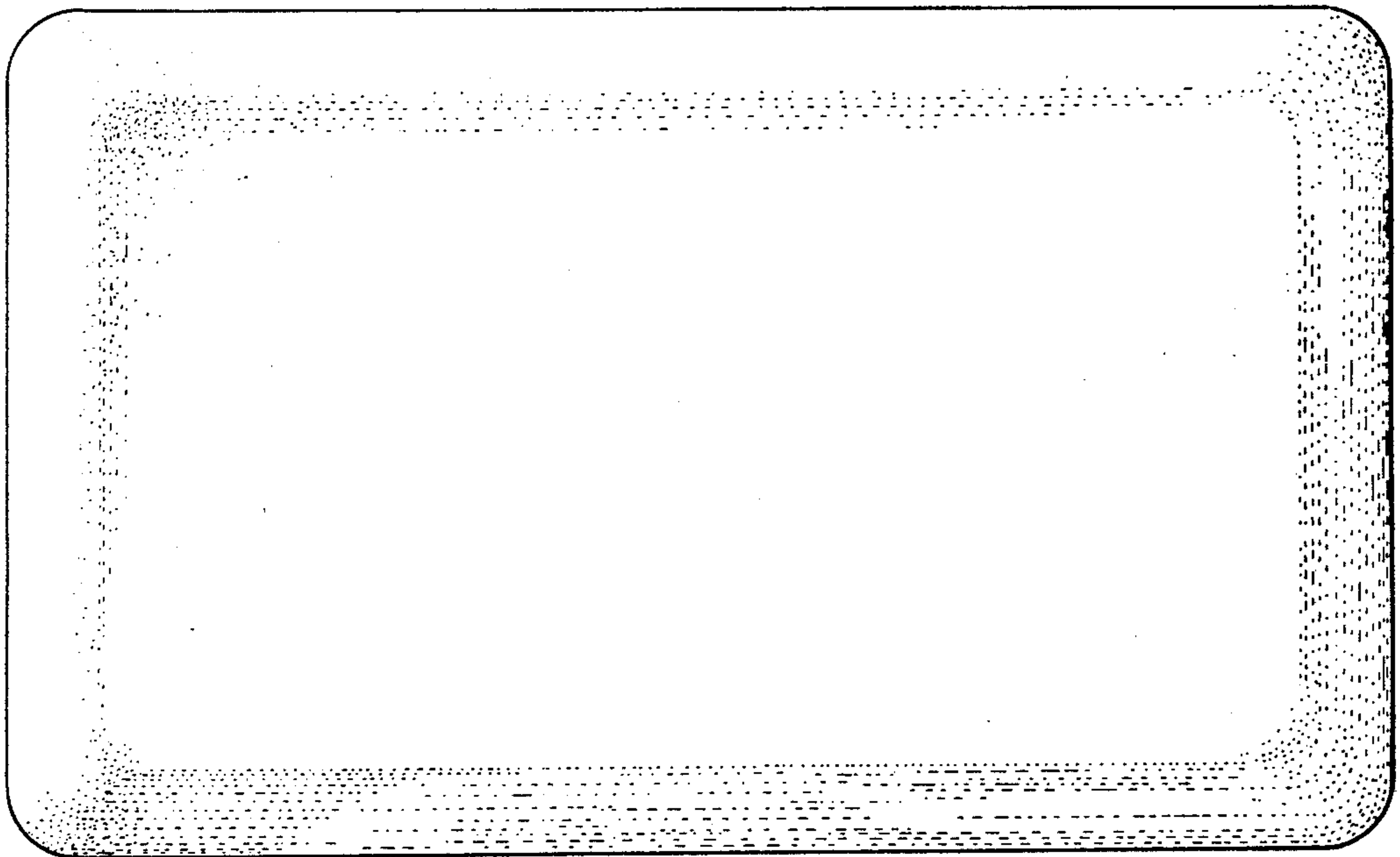


Fig. 5

