

[54] CUTTING TOOL FOR OPTICAL FIBERS WITH PROTECTIVE COVER

[75] Inventor: Kevin T. Monroe, Harrisburg, Pa.

[73] Assignee: AMP Incorporated, Harrisburg, Pa.

[\*\*] Term: 14 Years

[21] Appl. No.: 626,007

[22] Filed: Jun. 29, 1984

[52] U.S. Cl. .... D8/98

[58] Field of Search ..... D8/42, 51-56, D8/60, 98, 99, 100, 101-107; 30/293, 186, 358, 362

[56] References Cited

U.S. PATENT DOCUMENTS

D. 204,673	5/1966	Steen	.....	D8/98
D. 232,301	8/1974	O'Donnell	.....	D8/98
D. 244,390	5/1977	Zimmermann	.....	D8/98 X
1,614,243	1/1927	Illg	.....	30/293
4,281,458	8/1981	Okada	.....	30/293 X

OTHER PUBLICATIONS

Imperial-Eastman Corp. Bulletin No. 7027, "Snimp" Tubing Shear, No. 307-FP.

PCT Appl. No. (BR 80/00010) WO 81/00374; Tool for Cutting Cleavage of Optical Fibers. AMP Instruction Sheet No. IS6753, pp. 1 and 4 (AMP Incorporated, Harrisburg, PA).

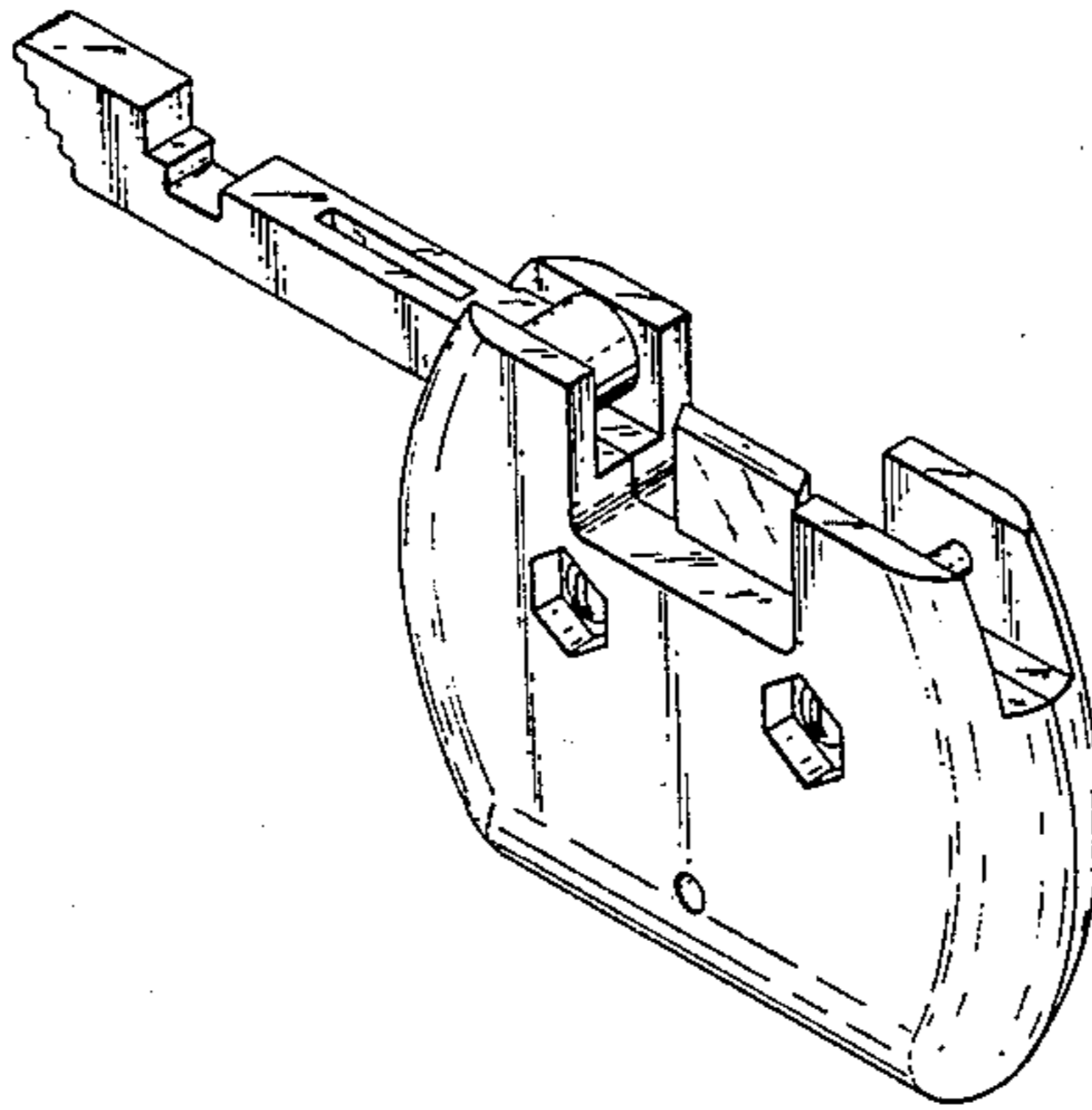
Primary Examiner—Susan J. Lucas  
Assistant Examiner—C. E. Heflin  
Attorney, Agent, or Firm—Anton P. Ness

[57] CLAIM

The ornamental design for cutting tool for optical fibers with protective cover, as shown and described.

DESCRIPTION

FIG. 1 is a perspective view of the cutting tool for optical fibers with protective cover showing my new design with the protective cover shown in the open position;  
FIG. 2 is a perspective view of the cutting tool for optical fibers with protective cover showing my new design with the protective cover shown in the closed position;  
FIG. 3 is an enlarged top plan view thereof;  
FIG. 4 is an enlarged front elevational view thereof;  
FIG. 5 is an enlarged bottom plan view thereof;  
FIG. 6 is an enlarged rear elevational view thereof;  
FIG. 7 is an enlarged end elevational view thereof;  
FIG. 8 is an enlarged opposite end elevational view thereof.



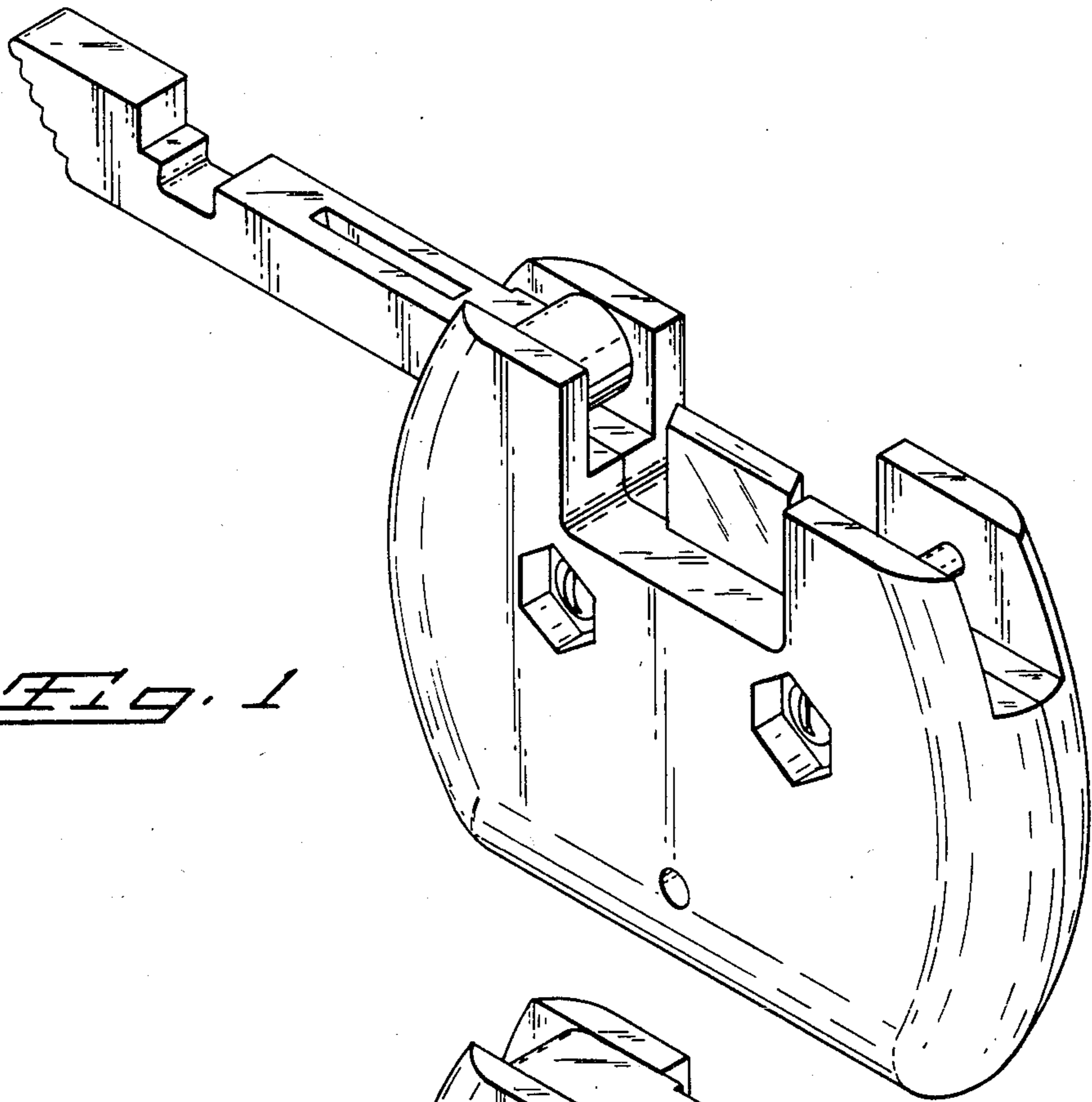


FIG. 1

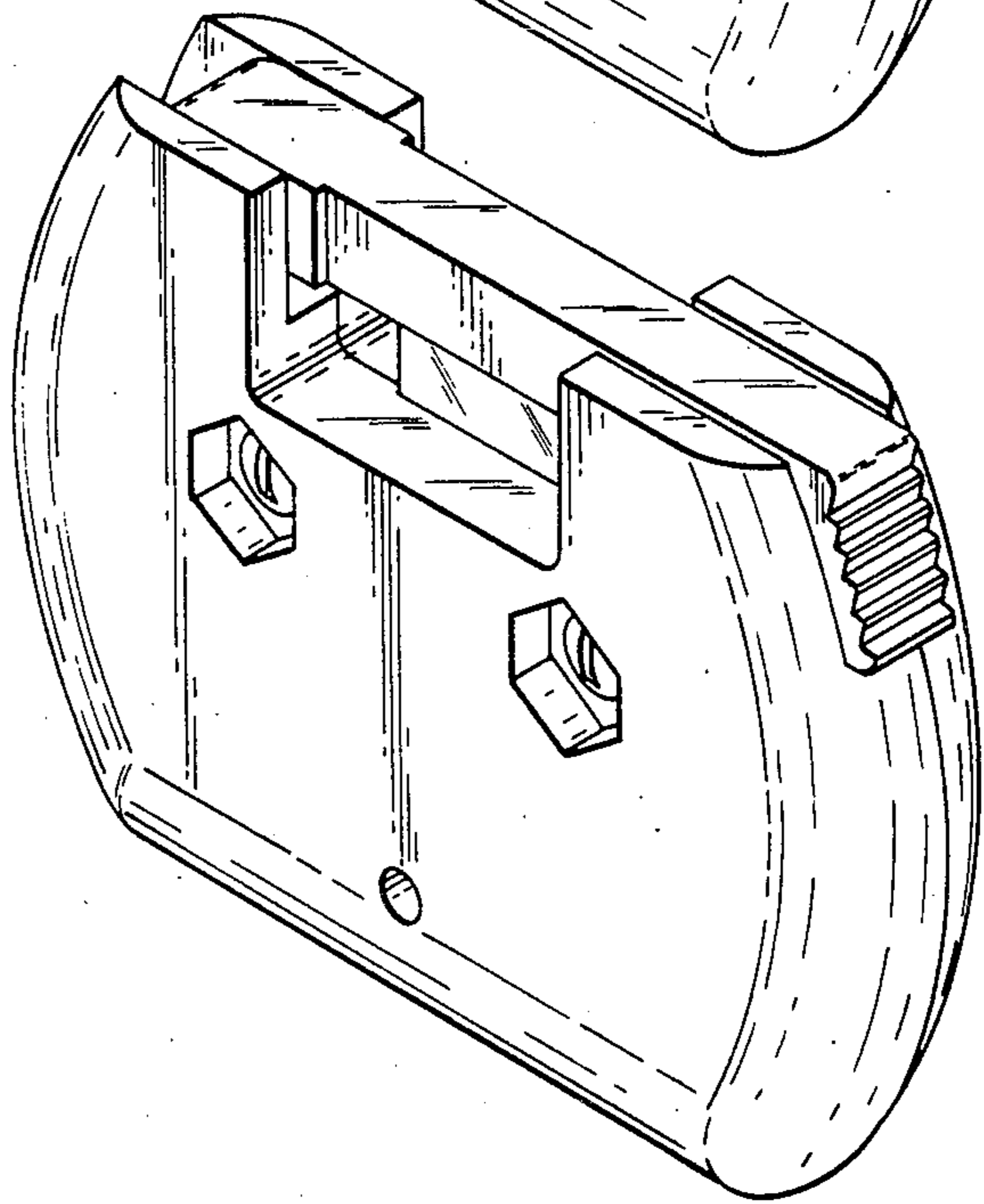


FIG. 2

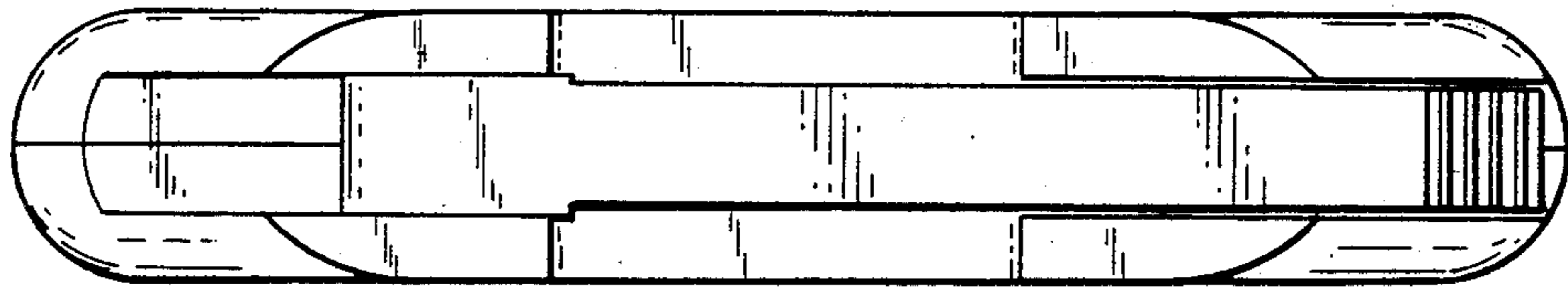


Fig. 3

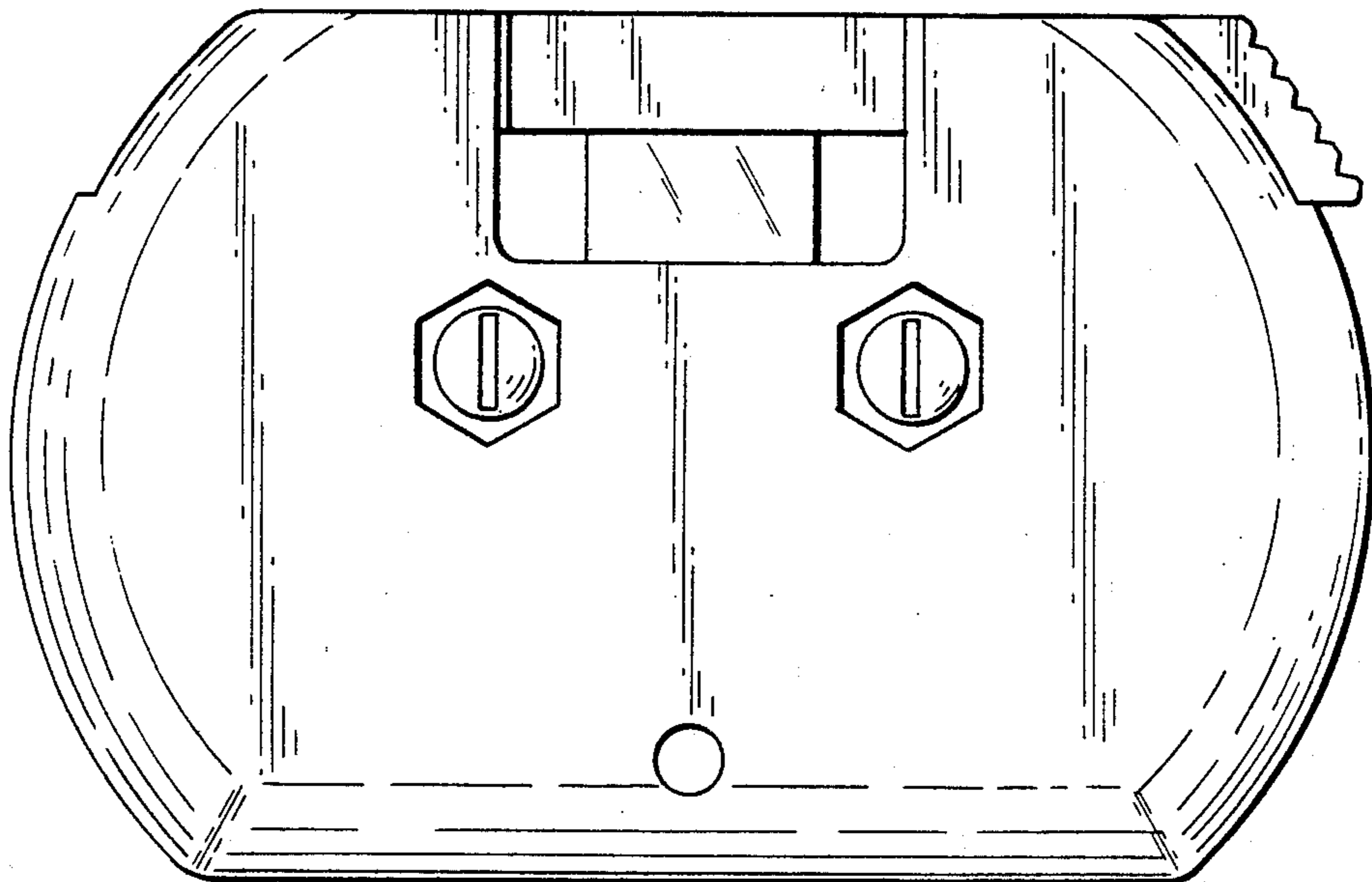


Fig. 4

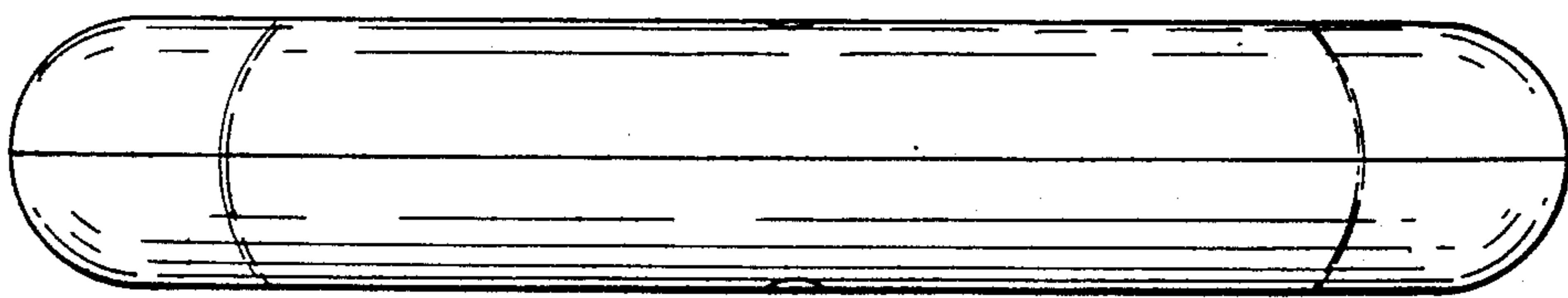


Fig. 5

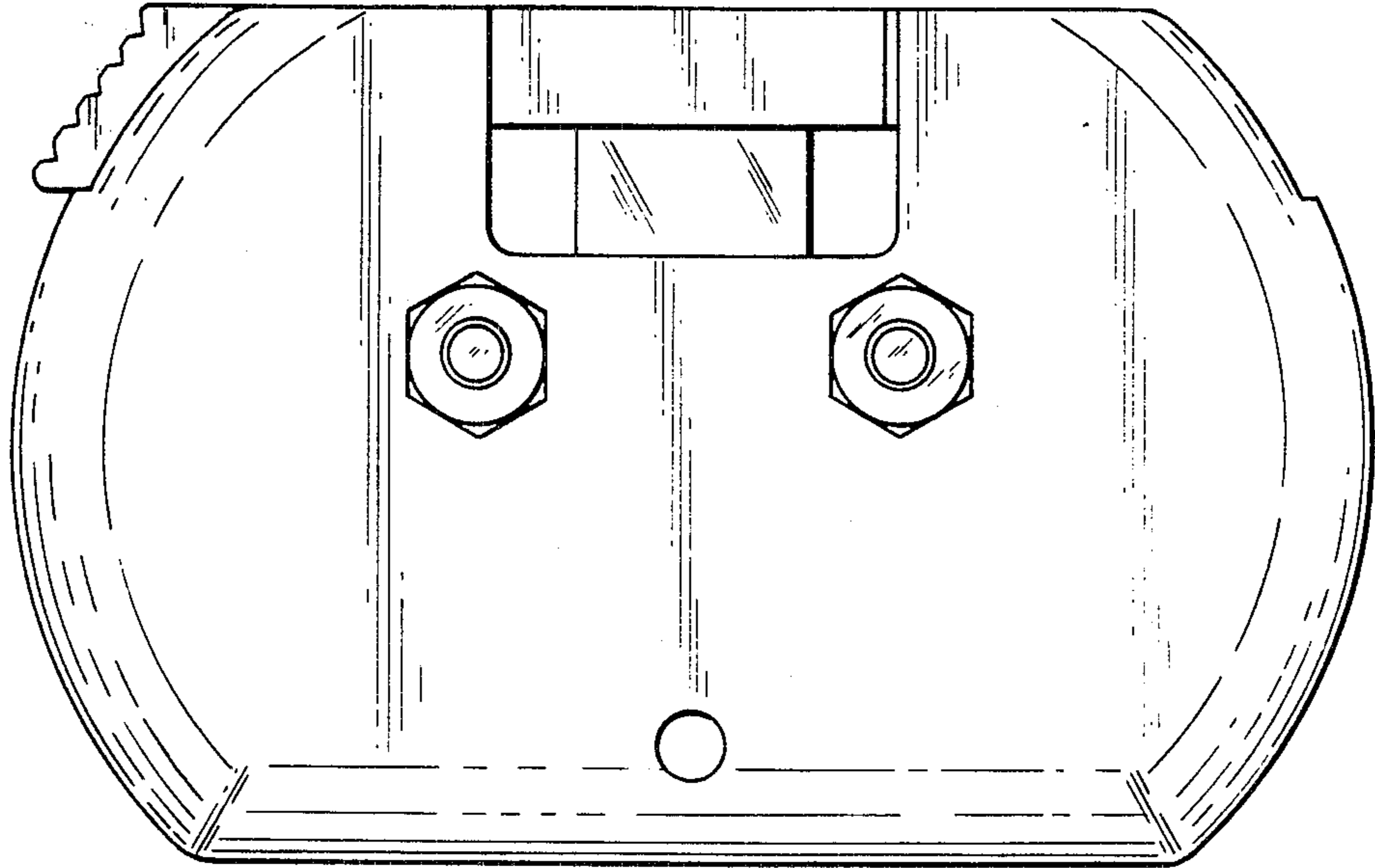


FIG. 6

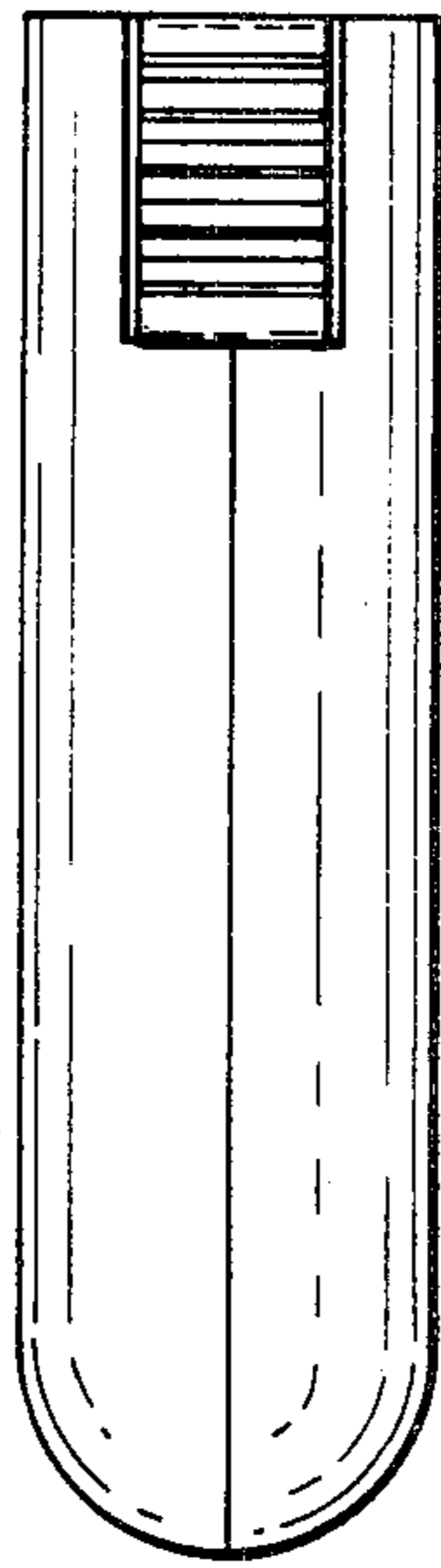


FIG. 7

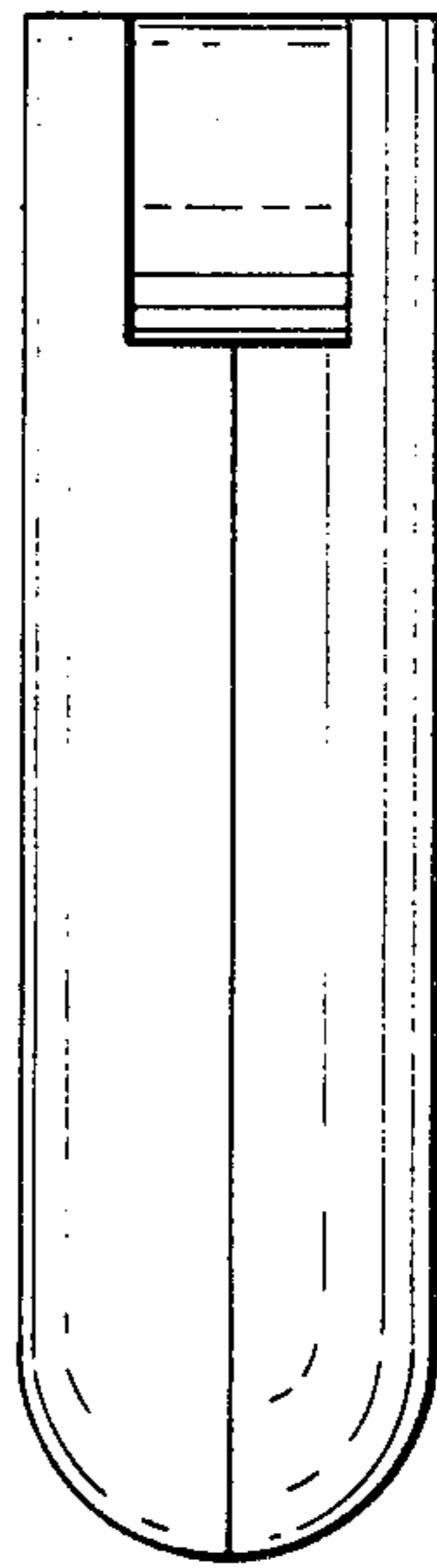


FIG. 8