

[54] WOK COOKTOP

3,044,459 7/1962 Brown 219/214 A

[75] Inventor: Stanley M. Joseph, Glendale, Calif.

Primary Examiner—Wallace R. Burke
Assistant Examiner—Lynn Wilder
Attorney, Agent, or Firm—Lyon & Lyon

[73] Assignee: Distinctive Appliances, Inc.,
Pasadena, Calif.

[**] Term: 14 Years

[57] CLAIM

The ornamental design for a wok cooktop, as shown and described.

[21] Appl. No.: 458,613

DESCRIPTION

[22] Filed: Jan. 17, 1983

[52] U.S. Cl. D7/346

[58] Field of Search D7/346, 402, 407;
219/214, 444

FIG. 1 is a top plan view of a wok cooktop showing my new design;

FIG. 2 is a front elevation thereof;

FIG. 3 is a right side elevation thereof;

FIG. 4 is a left side elevation thereof;

FIG. 5 is a bottom perspective thereof;

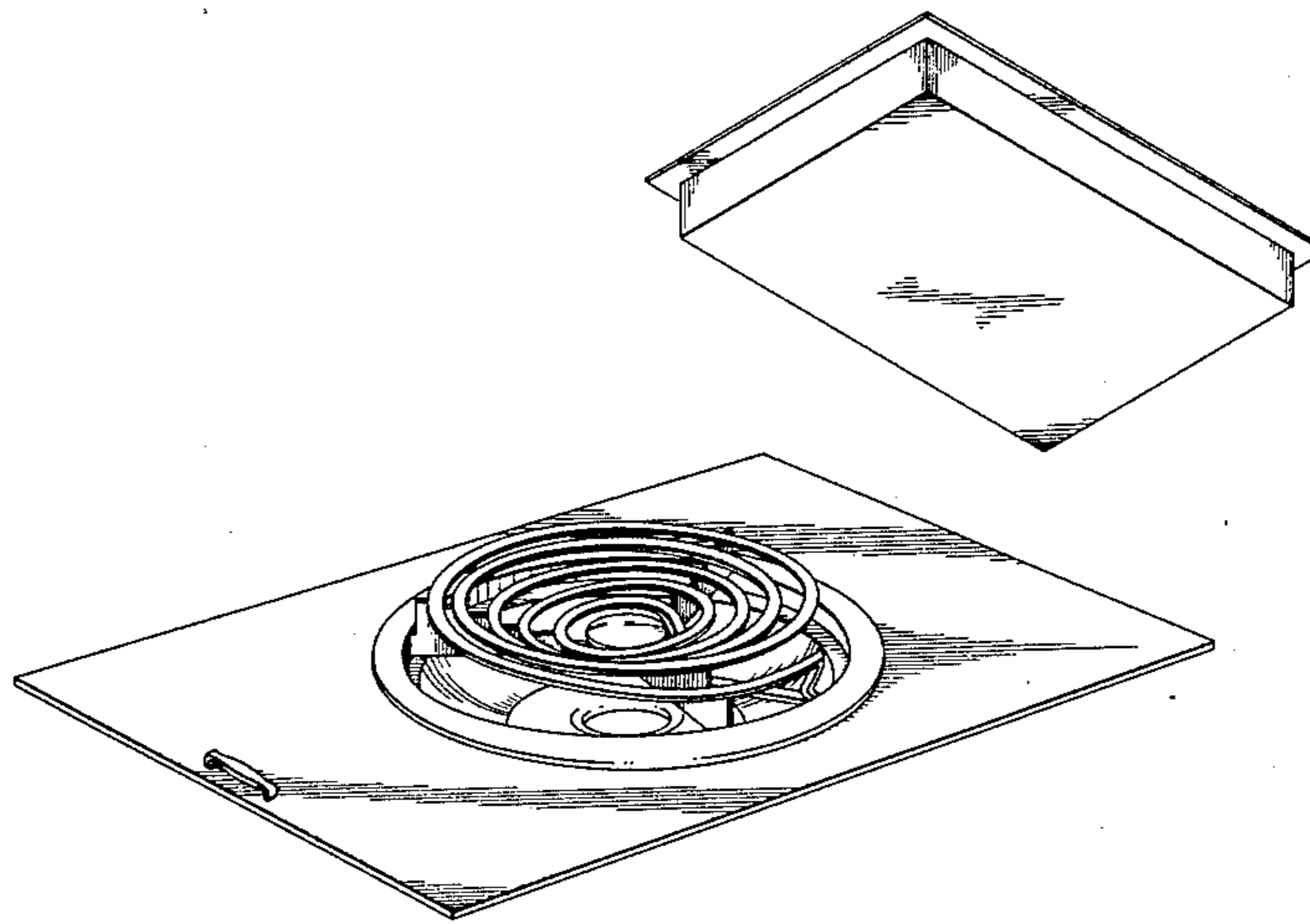
FIG. 6 is a top perspective view thereof.

The broken lines shown in FIGS. 1, 2 and 3 are for illustrative purposes only and form no part of the claimed design.

[56] References Cited

U.S. PATENT DOCUMENTS

| | | | |
|------------|--------|-----------------|---------|
| D. 169,260 | 4/1953 | Hupp | D7/402 |
| D. 174,998 | 6/1955 | Sandin | D7/346 |
| 2,850,613 | 9/1958 | McCormick | 219/444 |



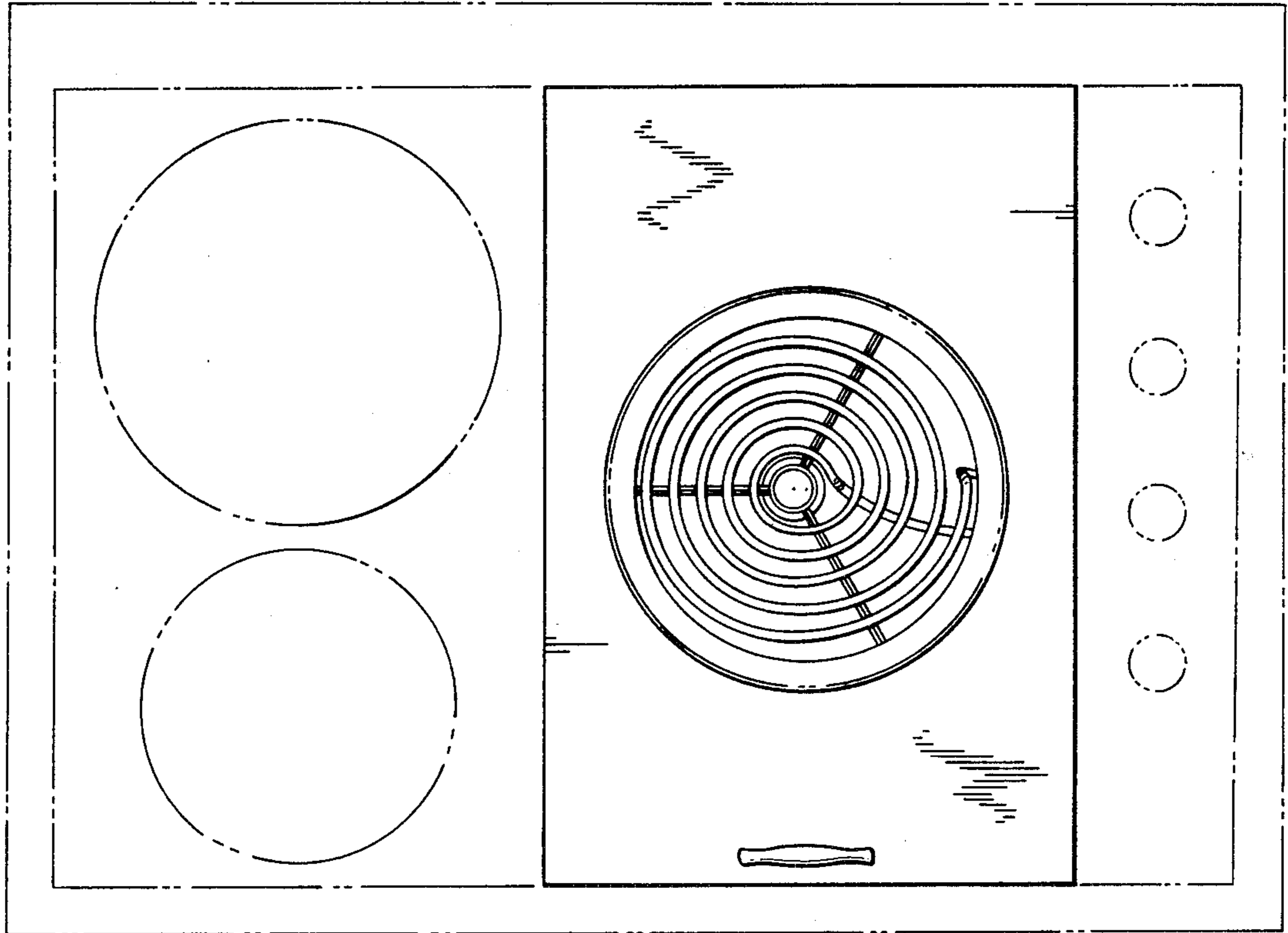


FIG. 1.

FIG. 2.

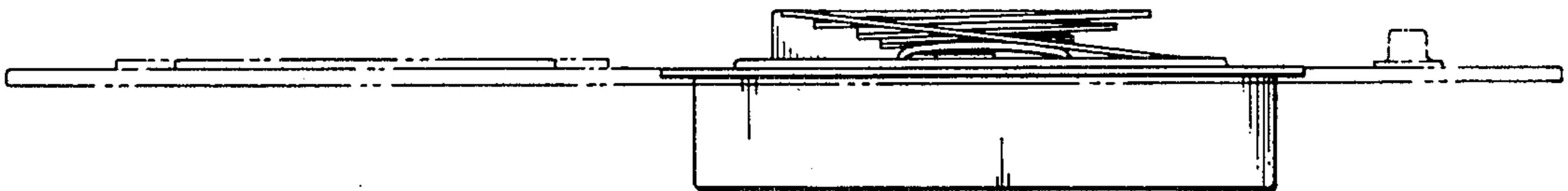


FIG. 3.

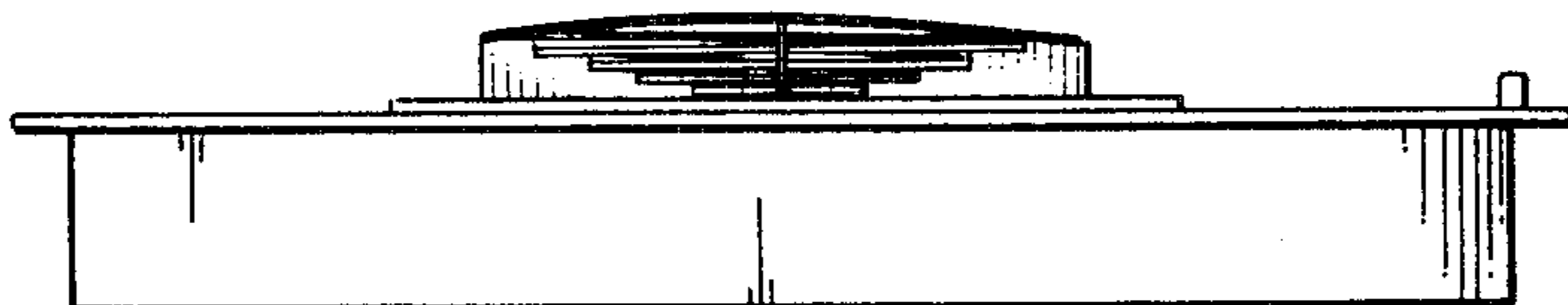
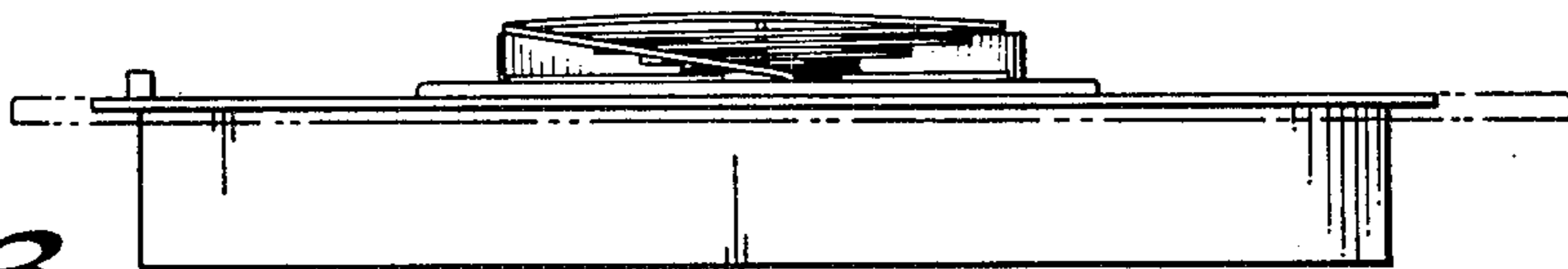


FIG. 4.

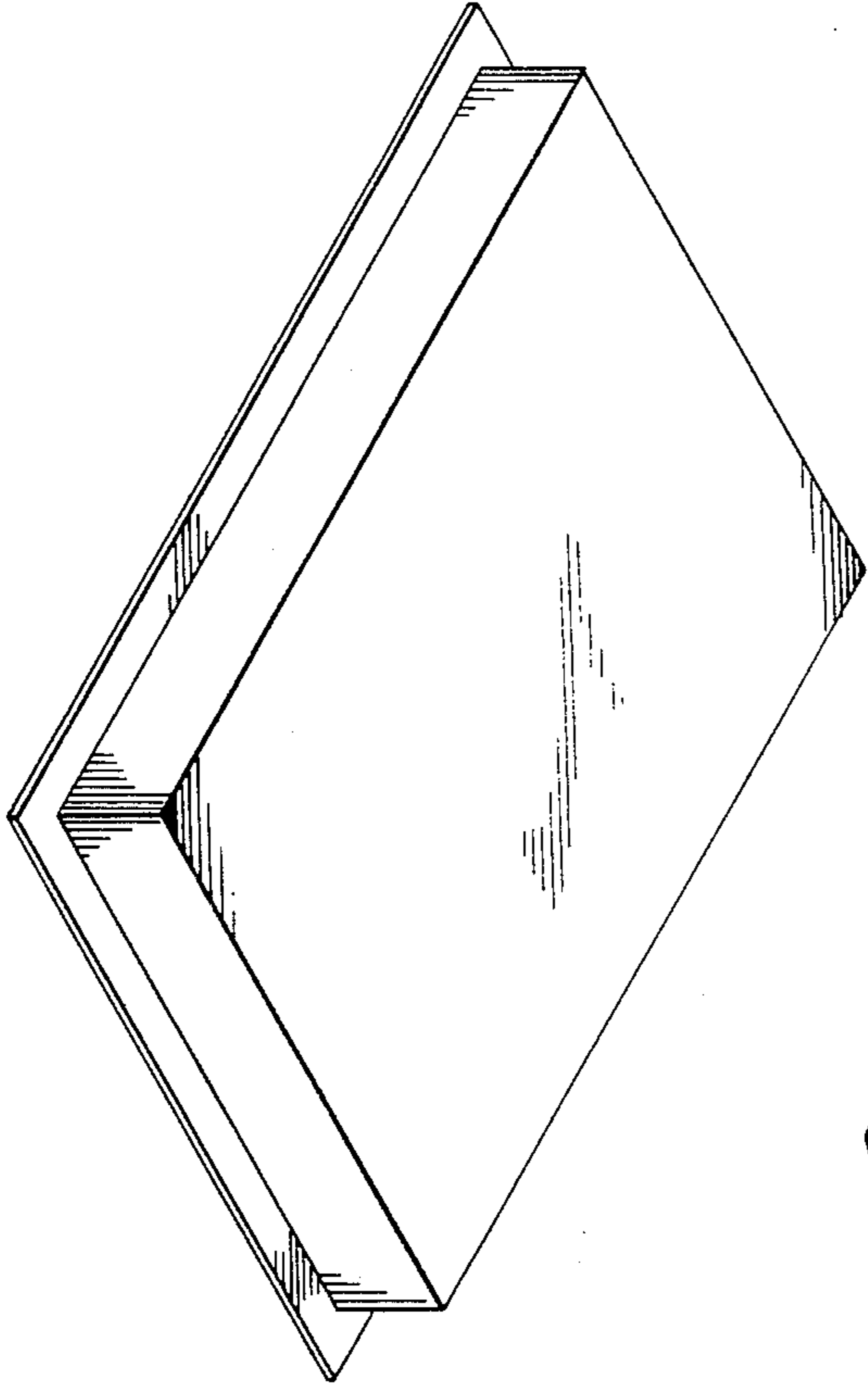


FIG. 5-

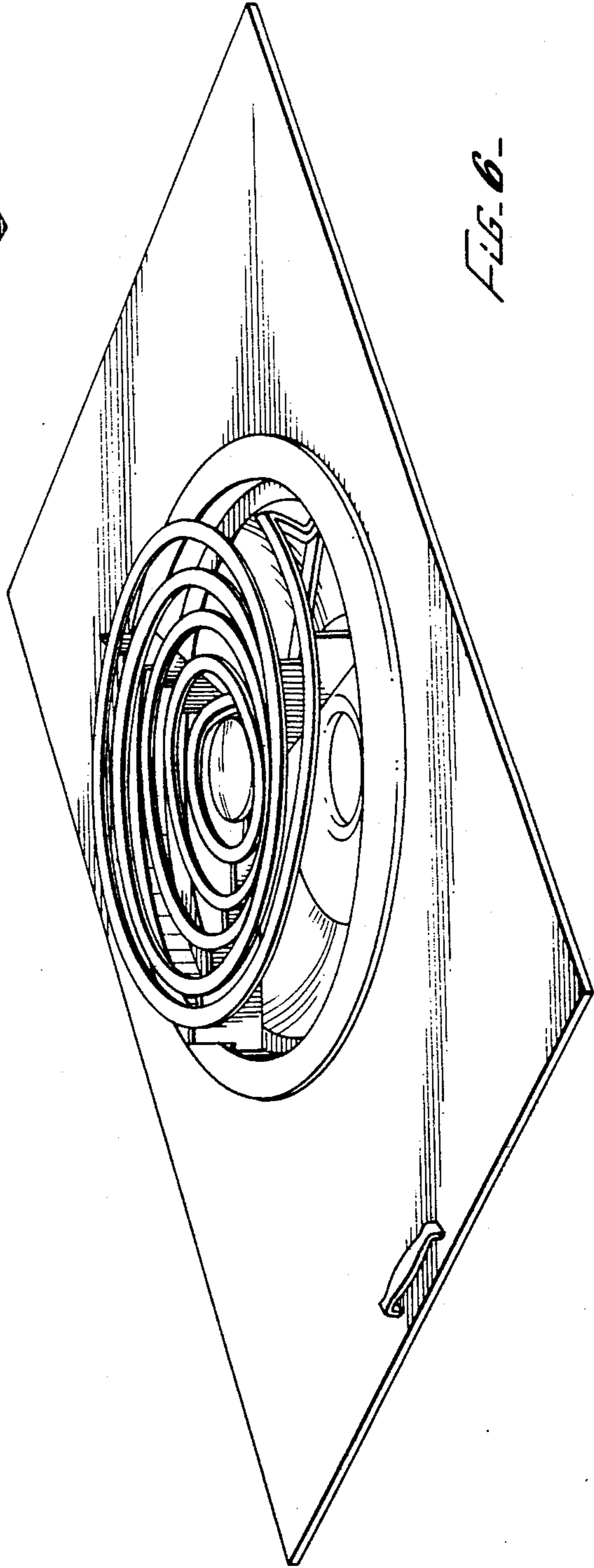


FIG. 6-