

[54] **MEASURING PITCHER OR THE LIKE**

[75] Inventor: **Janice L. Schmidt, Providence, R.I.**
[73] Assignee: **Dart Industries Inc., Northbrook, Ill.**
[**] Term: **14 Years**
[21] Appl. No.: **571,016**
[22] Filed: **Jan. 16, 1984**
[52] U.S. Cl. **D7/50; D7/318**
[58] Field of Search **D7/50, 300-303,
D7/312, 314, 316-318, 319, 320; 222/572, 465
R; 73/427**

[56] **References Cited**

U.S. PATENT DOCUMENTS

D. 270,602 9/1983 Fritz D7/50 X
D. 272,704 2/1984 Smith D7/50
2,038,545 4/1936 Dammert 222/572

OTHER PUBLICATIONS

Kitchen Bazaar, p. 15, Mug, bottom right of page.

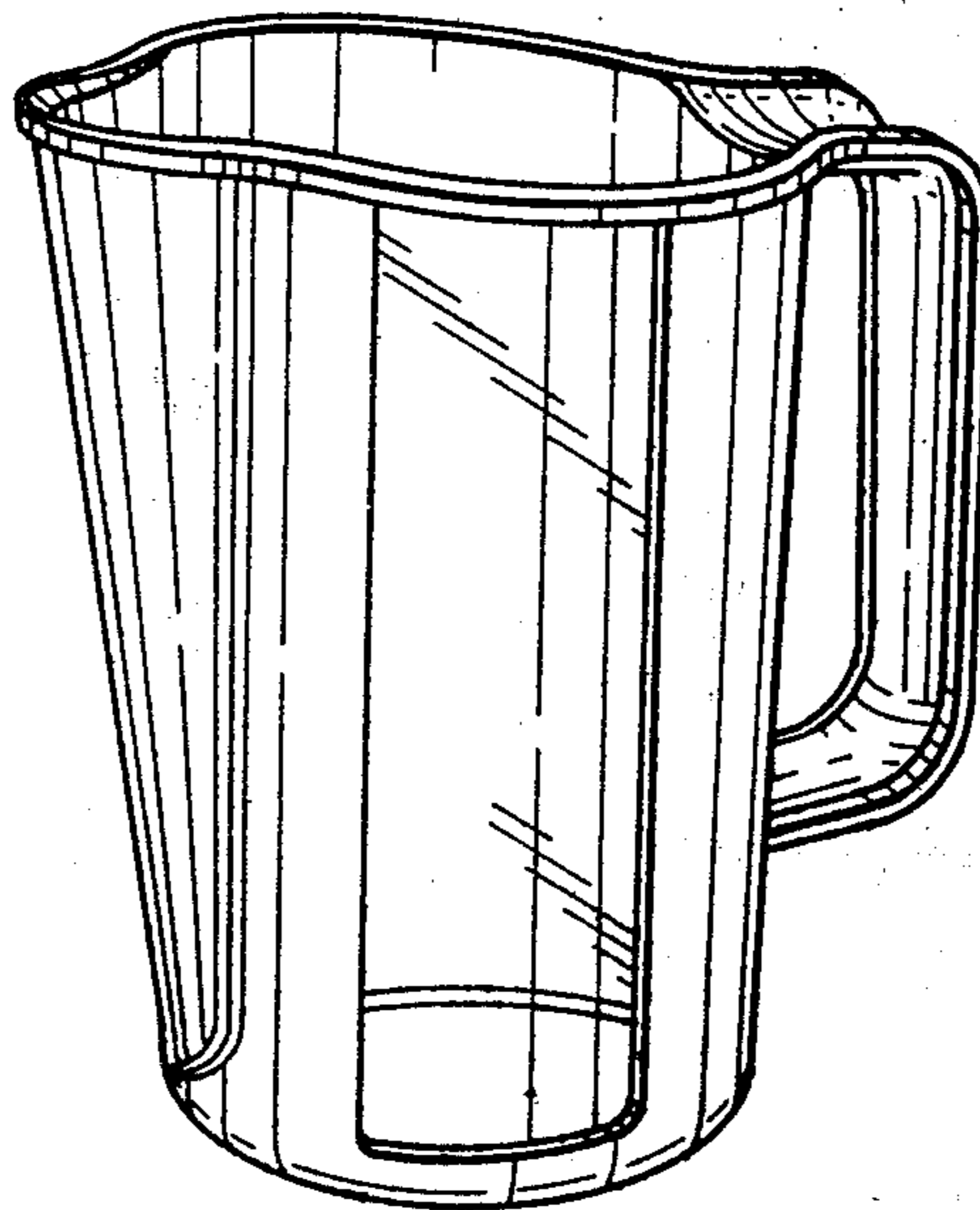
Primary Examiner—Bernard Ansher
Assistant Examiner—Terry Pfeffer
Attorney, Agent, or Firm—John A. Doninger; A. Lewis Worthem, Jr.

[57] **CLAIM**

The ornamental design for a measuring pitcher or the like, substantially as is shown.

DESCRIPTION

FIG. 1 is a perspective view of the pitcher showing my new design;
FIG. 2 is a side view thereof;
FIG. 3 is a front view thereof;
FIG. 4 is a rear view thereof;
FIG. 5 is a top plan view thereof;
FIG. 6 is a bottom plan view thereof.



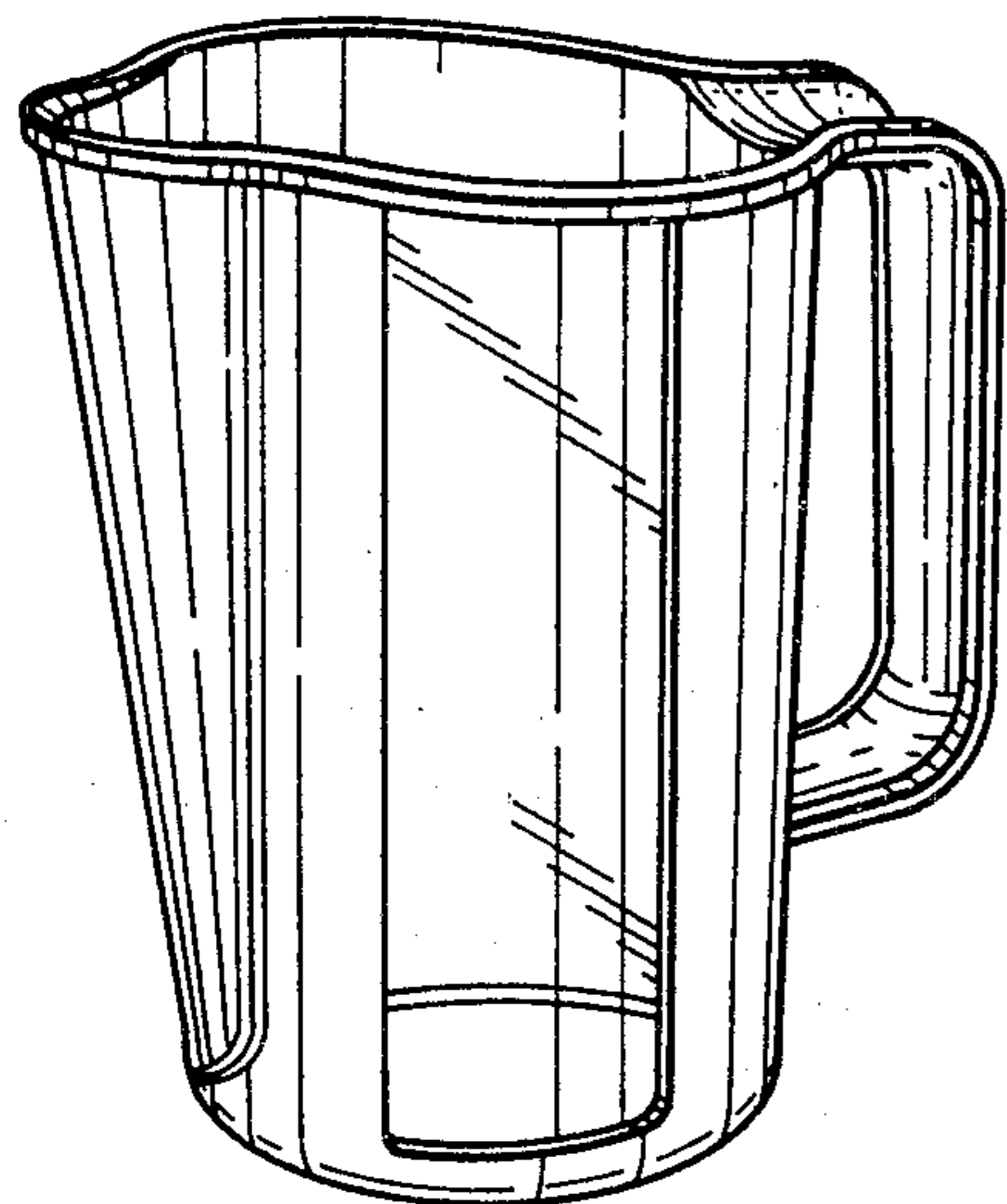


FIG. 1

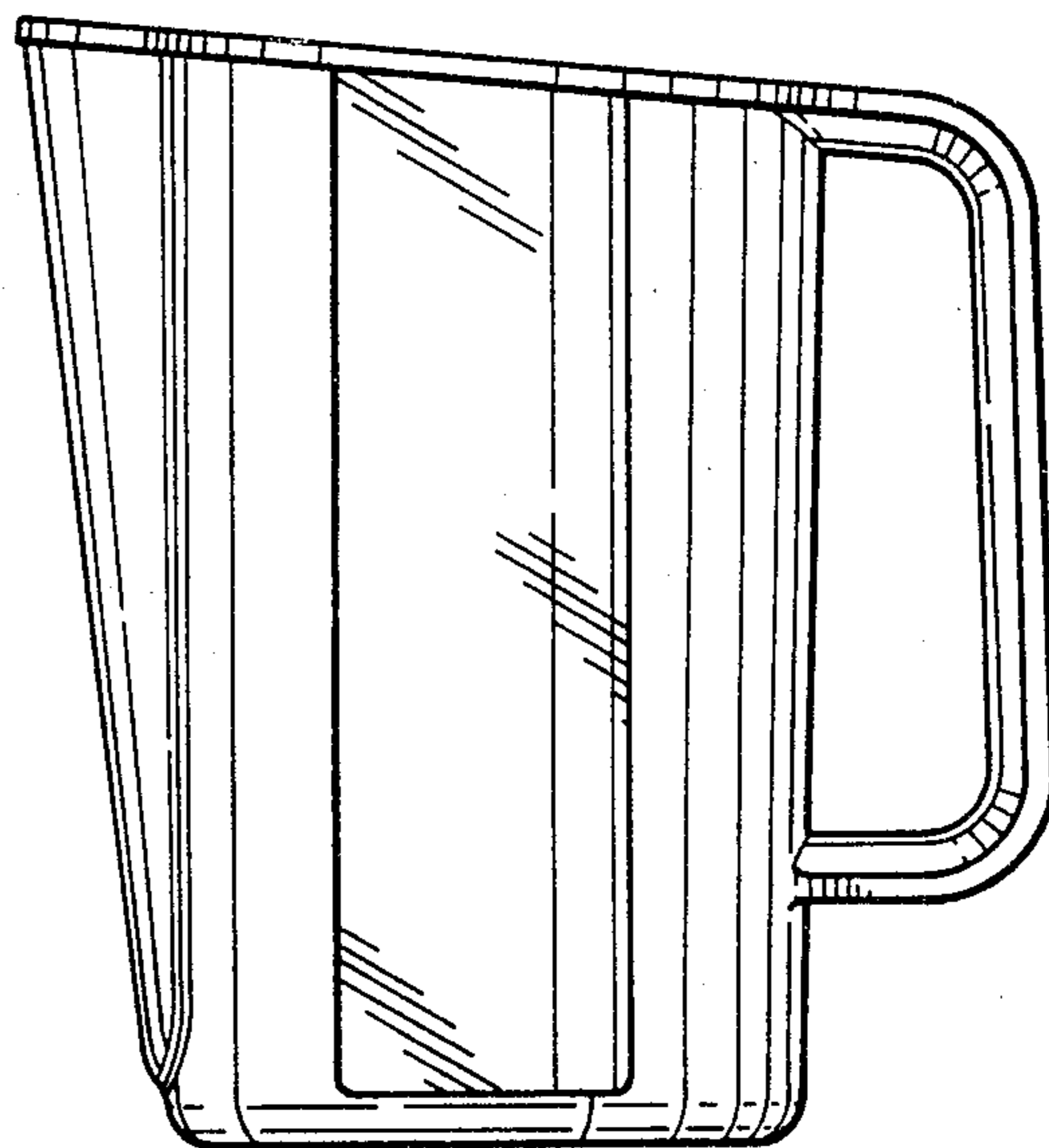


FIG. 2

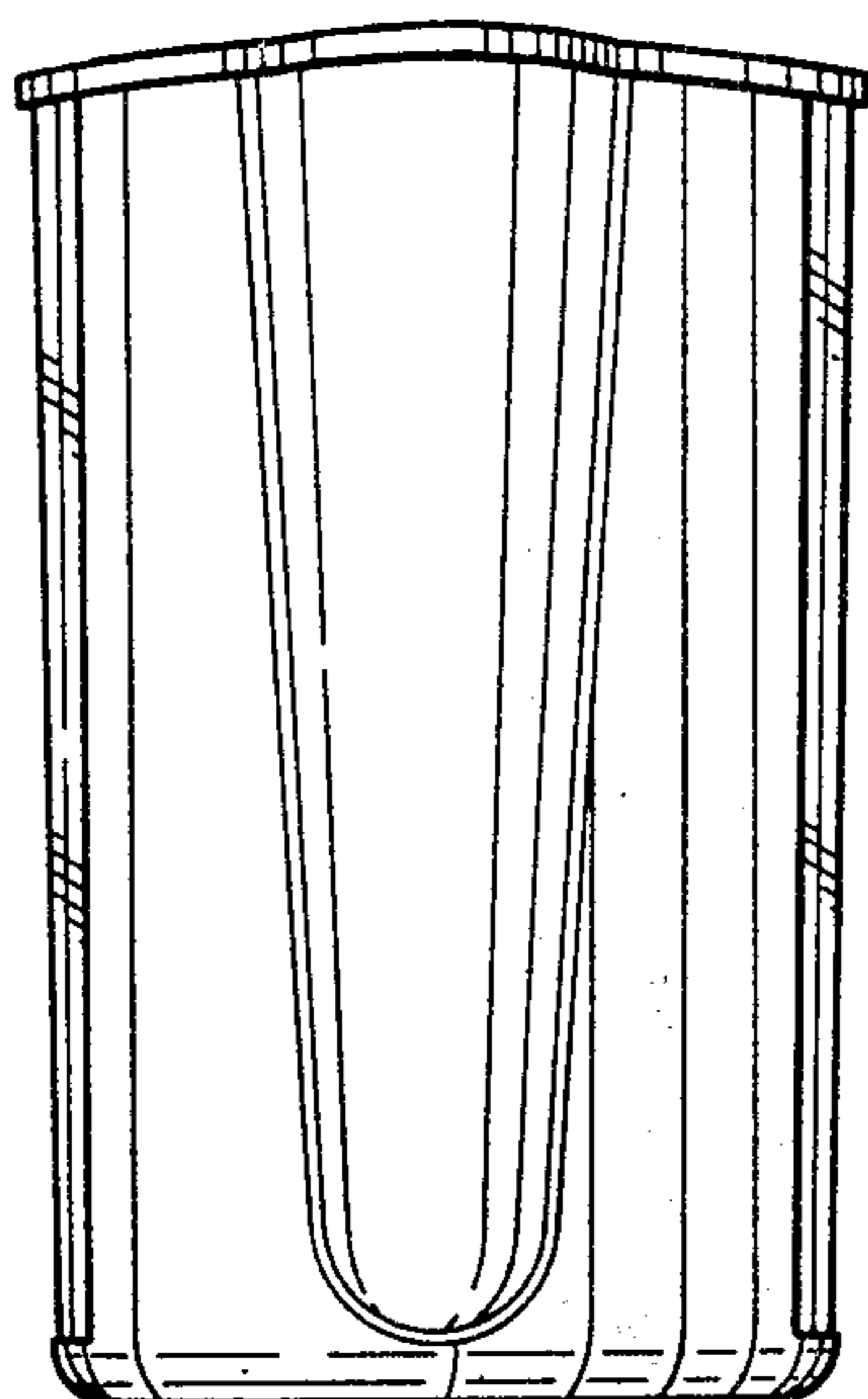


FIG. 3

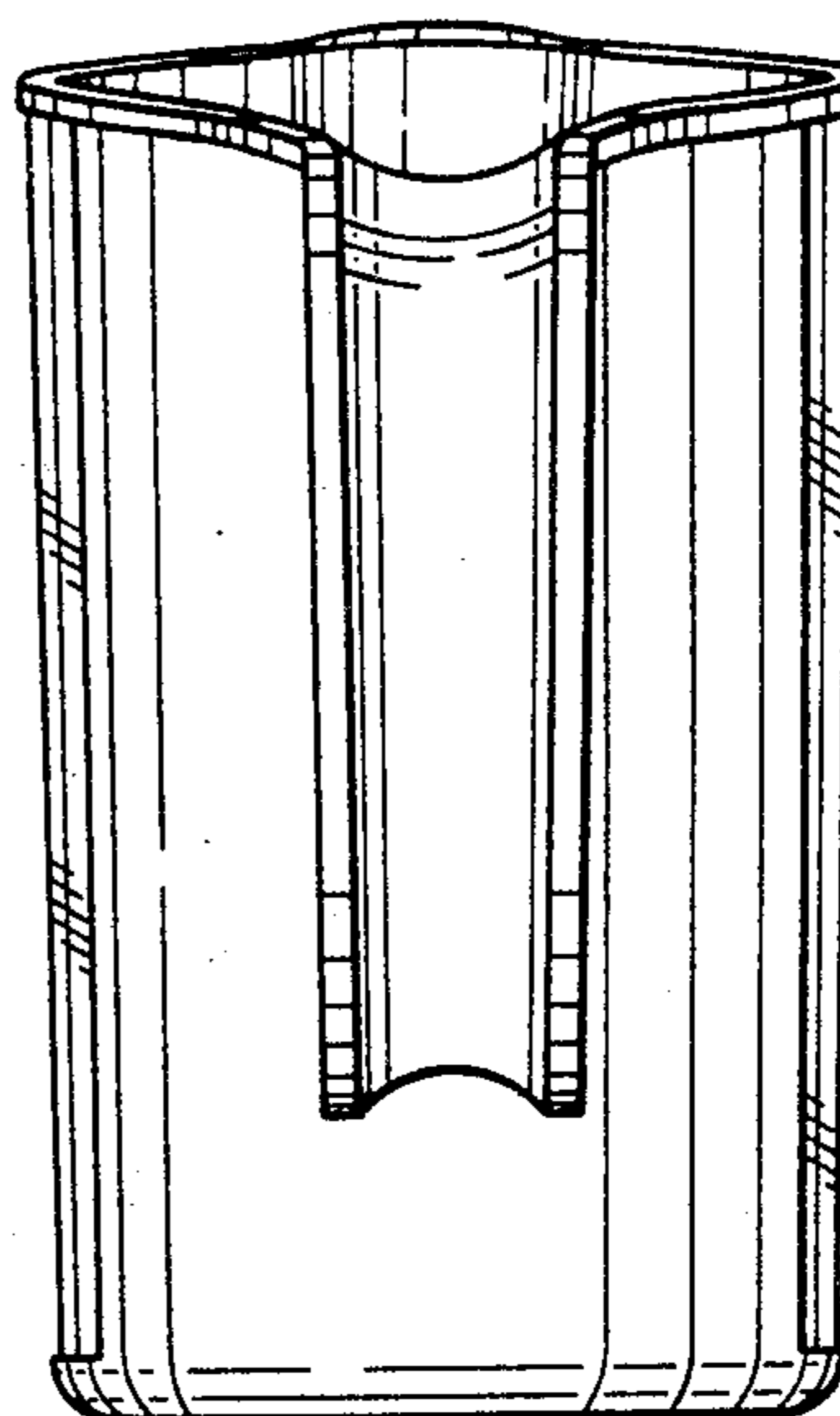


FIG. 4

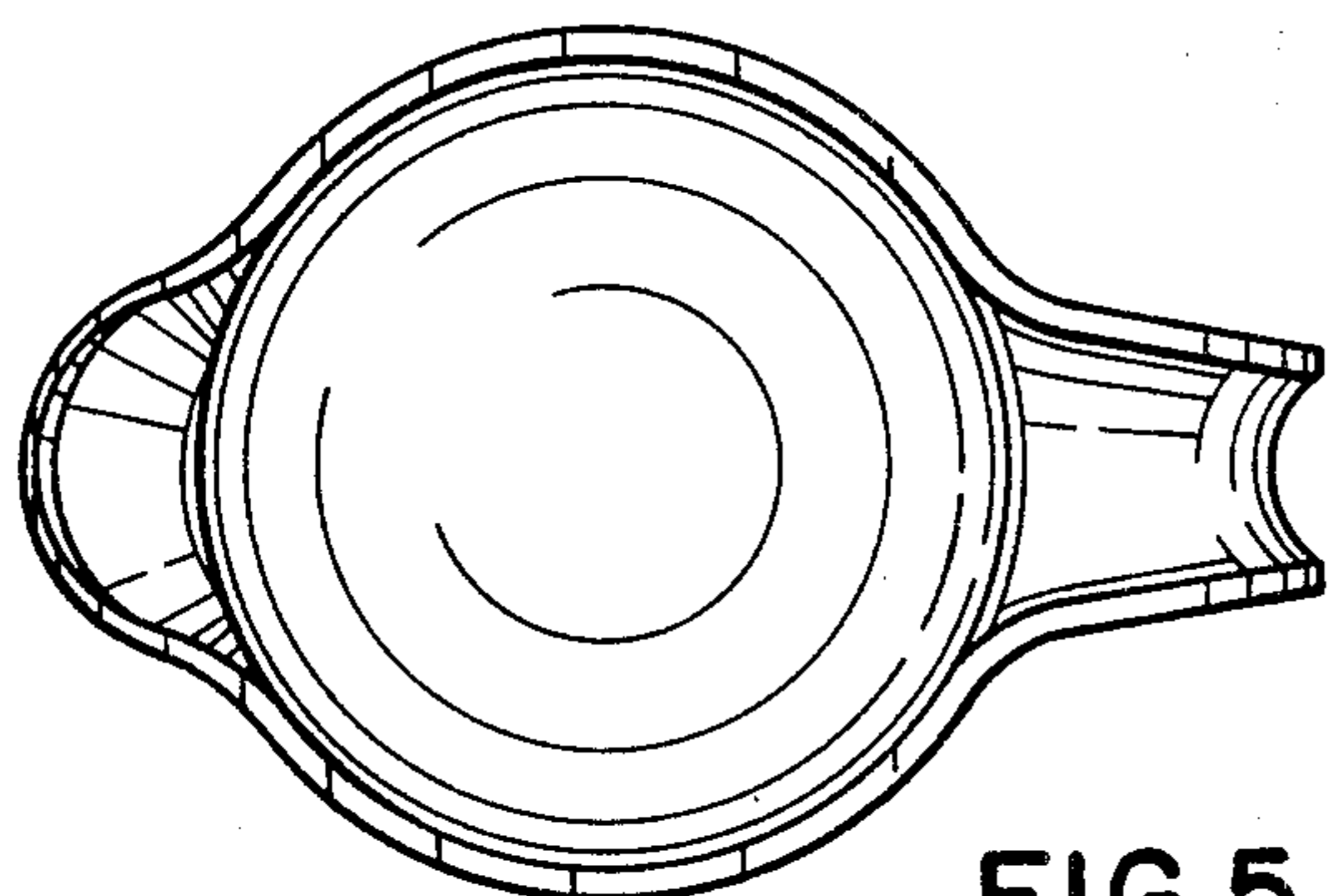


FIG. 5

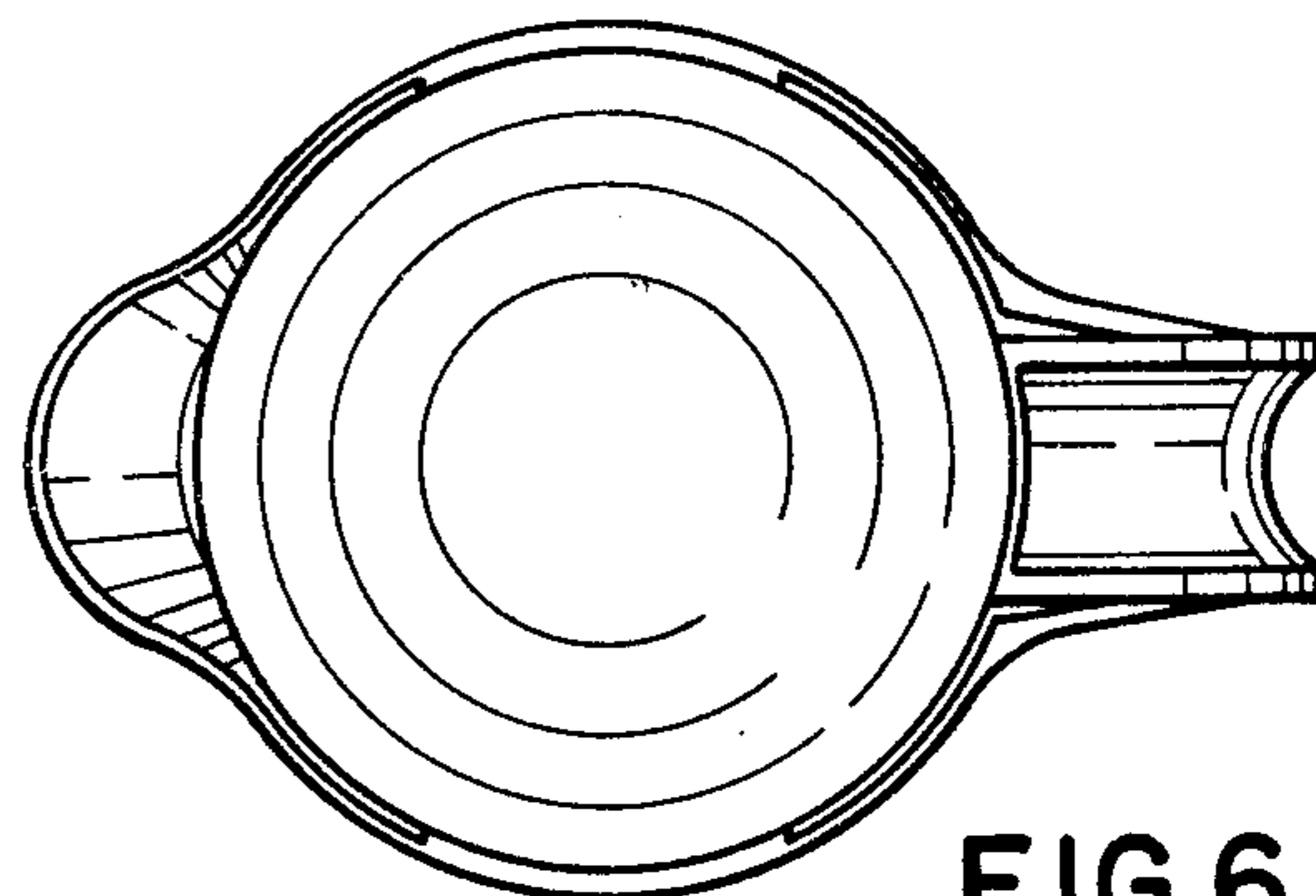


FIG. 6