

[54] PORTABLE, FOLDING DIAPER CHANGING TABLE

D. 265,444 7/1982 Nii D6/373
D. 277,813 3/1985 Grady D6/368 X
3,839,754 10/1974 Hooper D6/392 X

[76] Inventor: Stephanie Garduno, 13 Bull Run, Irvine, Calif. 92714

FOREIGN PATENT DOCUMENTS

1358728 of 1974 United Kingdom D6/353 X

[**] Term: 14 Years

Primary Examiner—Bruce W. Dunkins
Attorney, Agent, or Firm—Plante, Strauss & Vanderburgh

[21] Appl. No.: 602,006

[22] Filed: Apr. 19, 1984

[52] U.S. Cl. D6/429; D6/353; D6/368; D6/392

[57] CLAIM

[58] Field of Search D6/333, 349, 353, 367, D6/368, 391, 392, 429, 503; 108/118, 119, 129, 130; 248/164

The ornamental design for a portable, folding diaper changing table, substantially as shown.

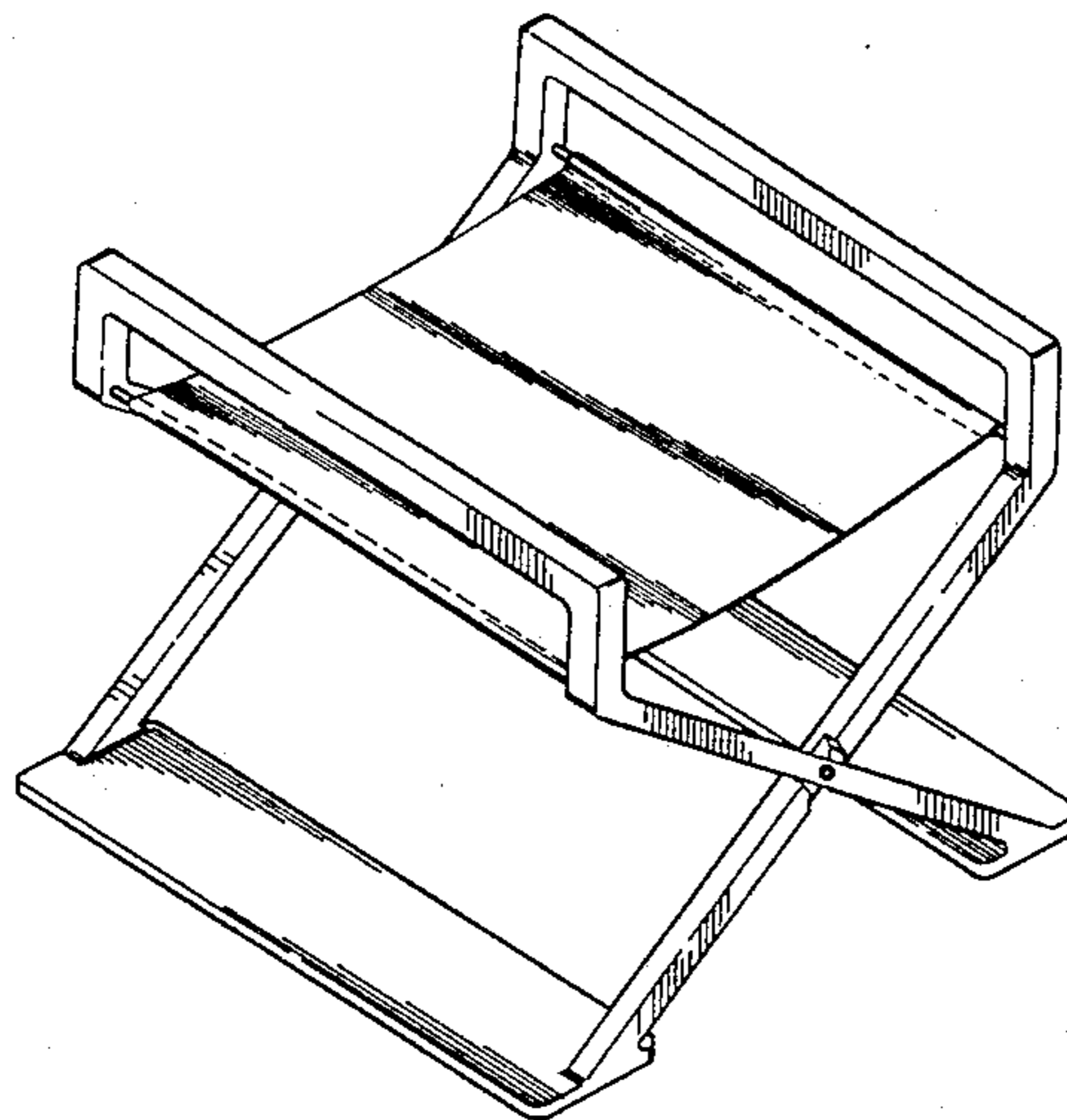
DESCRIPTION

[56] References Cited

U.S. PATENT DOCUMENTS

D. 200,911 4/1965 Ginat D6/429 X
D. 252,426 7/1979 Brelsford D6/349
D. 252,659 8/1979 Brickman D6/429

FIG. 1 is a perspective view of a portable, folding diaper changing table showing my new design;
FIG. 2 is a side view thereof;
FIG. 3 is a top view thereof;
FIG. 4 is a bottom view thereof; and
FIG. 5 is an end view thereof.



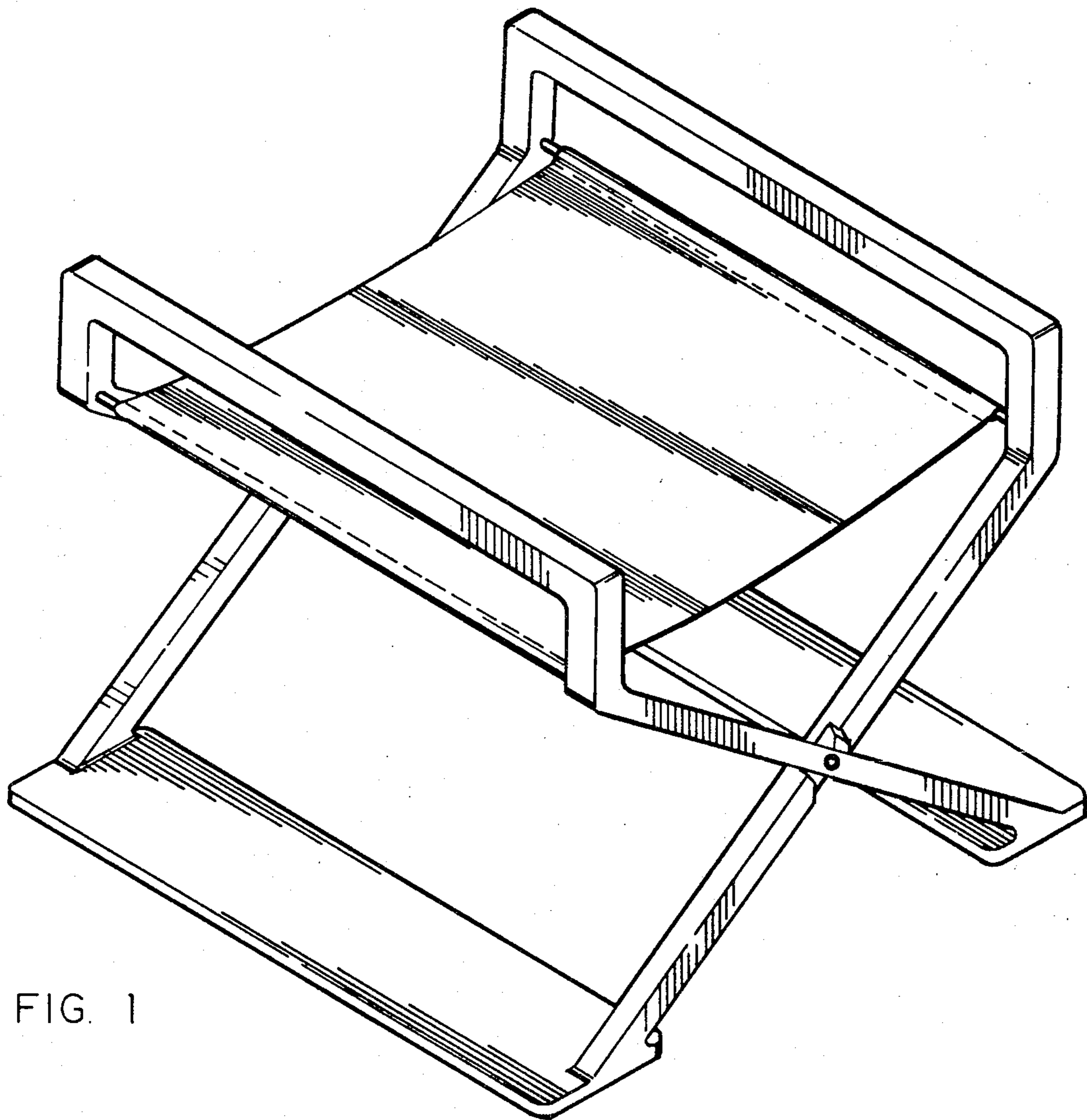


FIG. 1

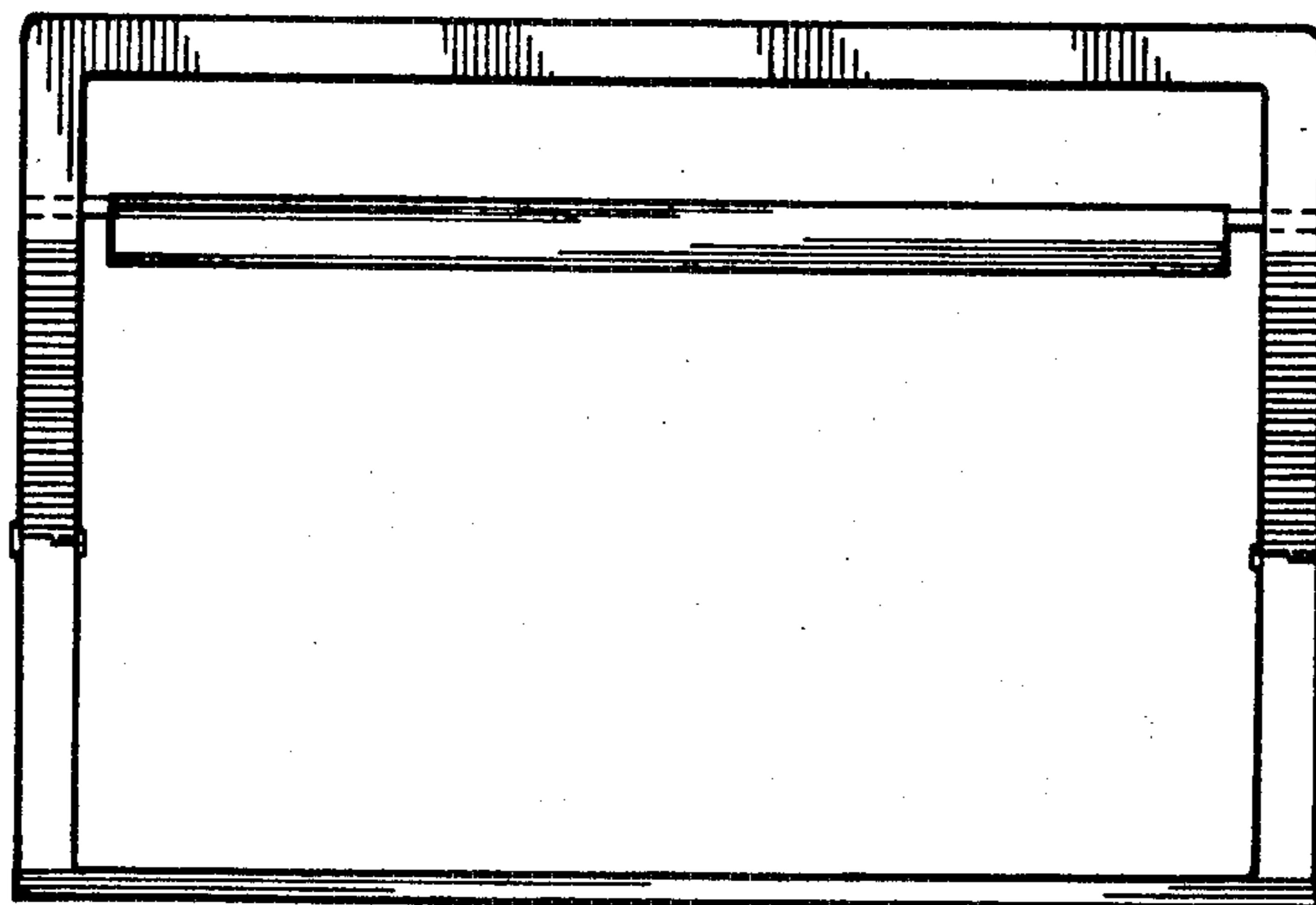


FIG. 2

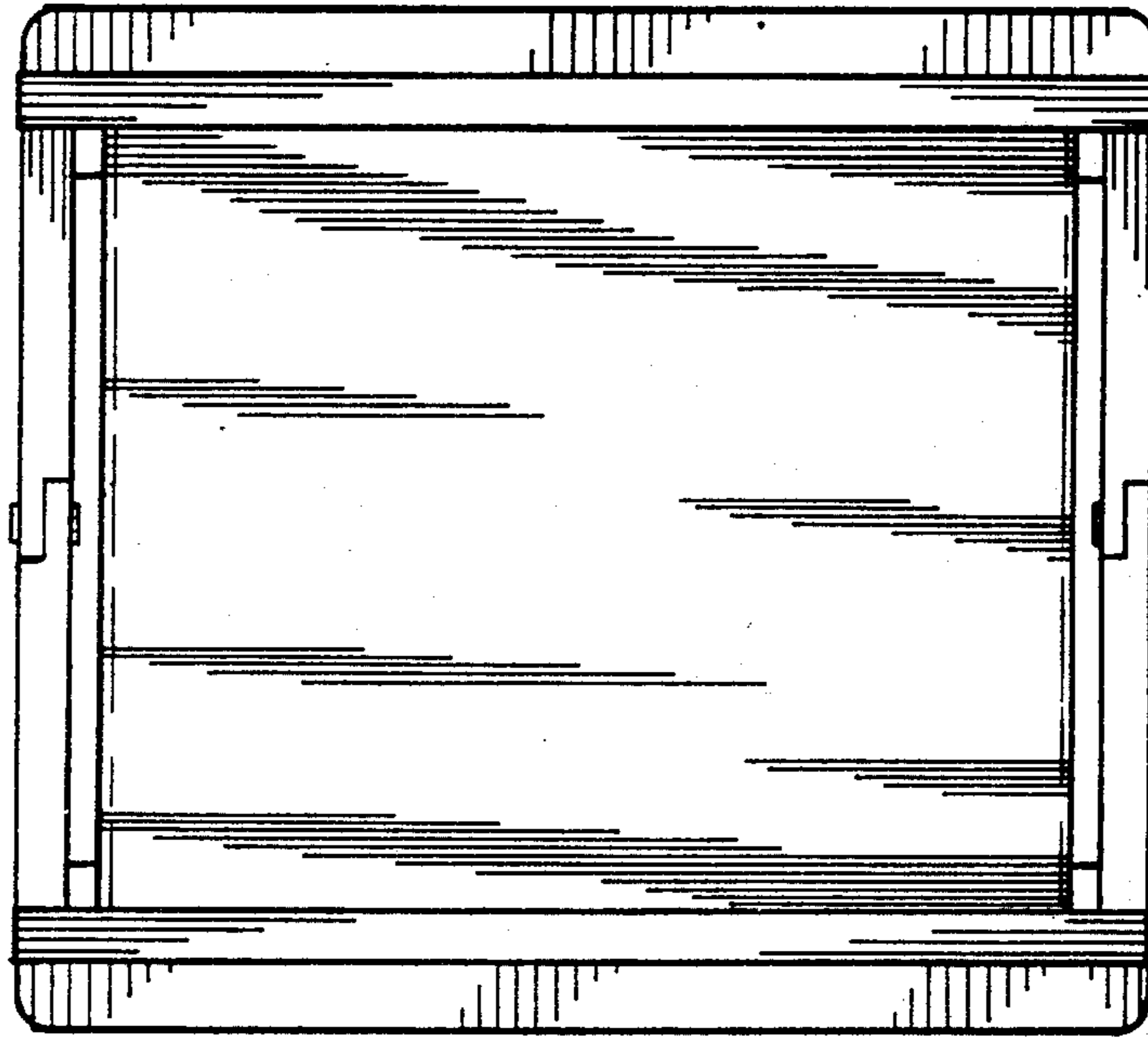


FIG. 3

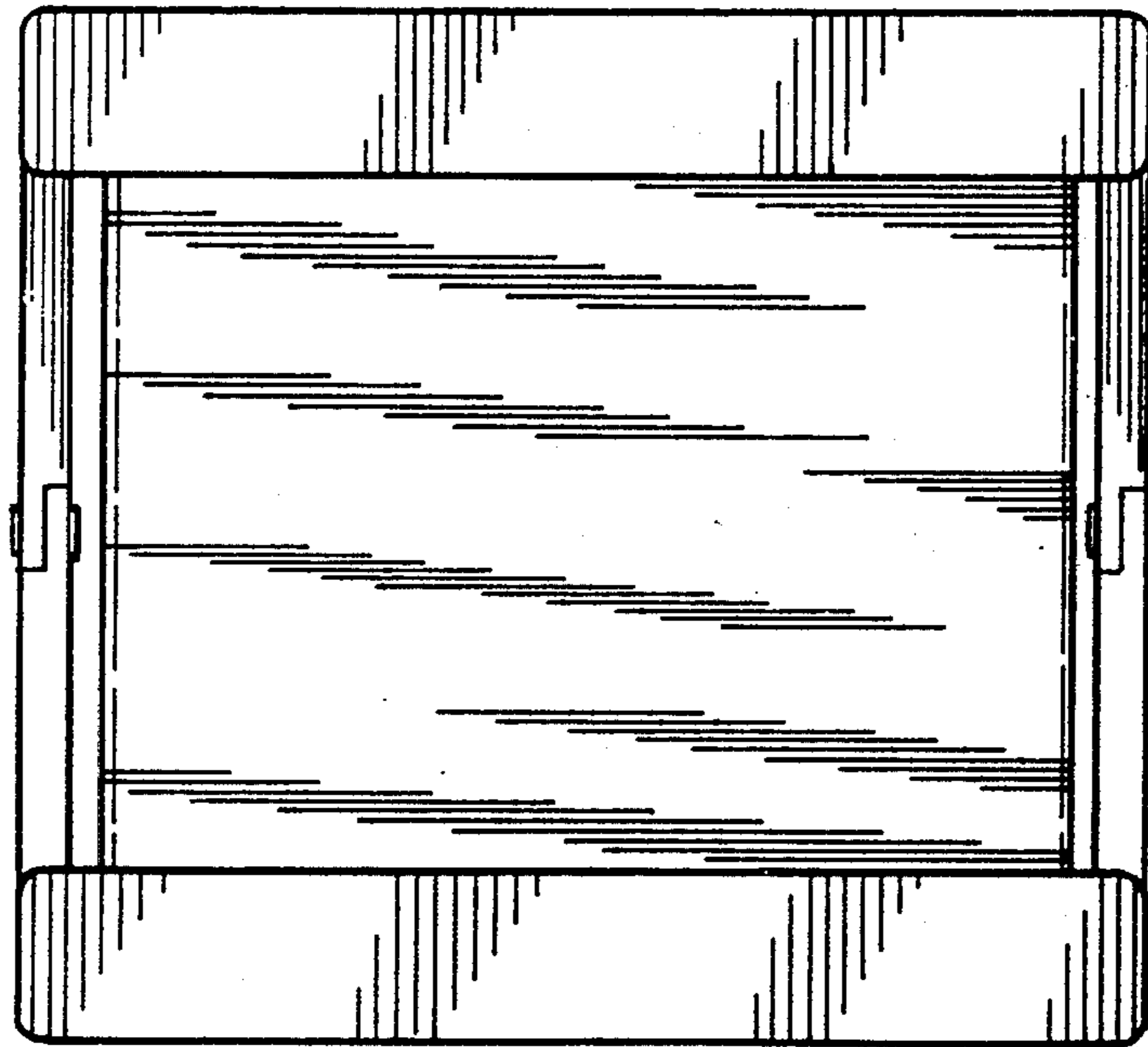


FIG. 4

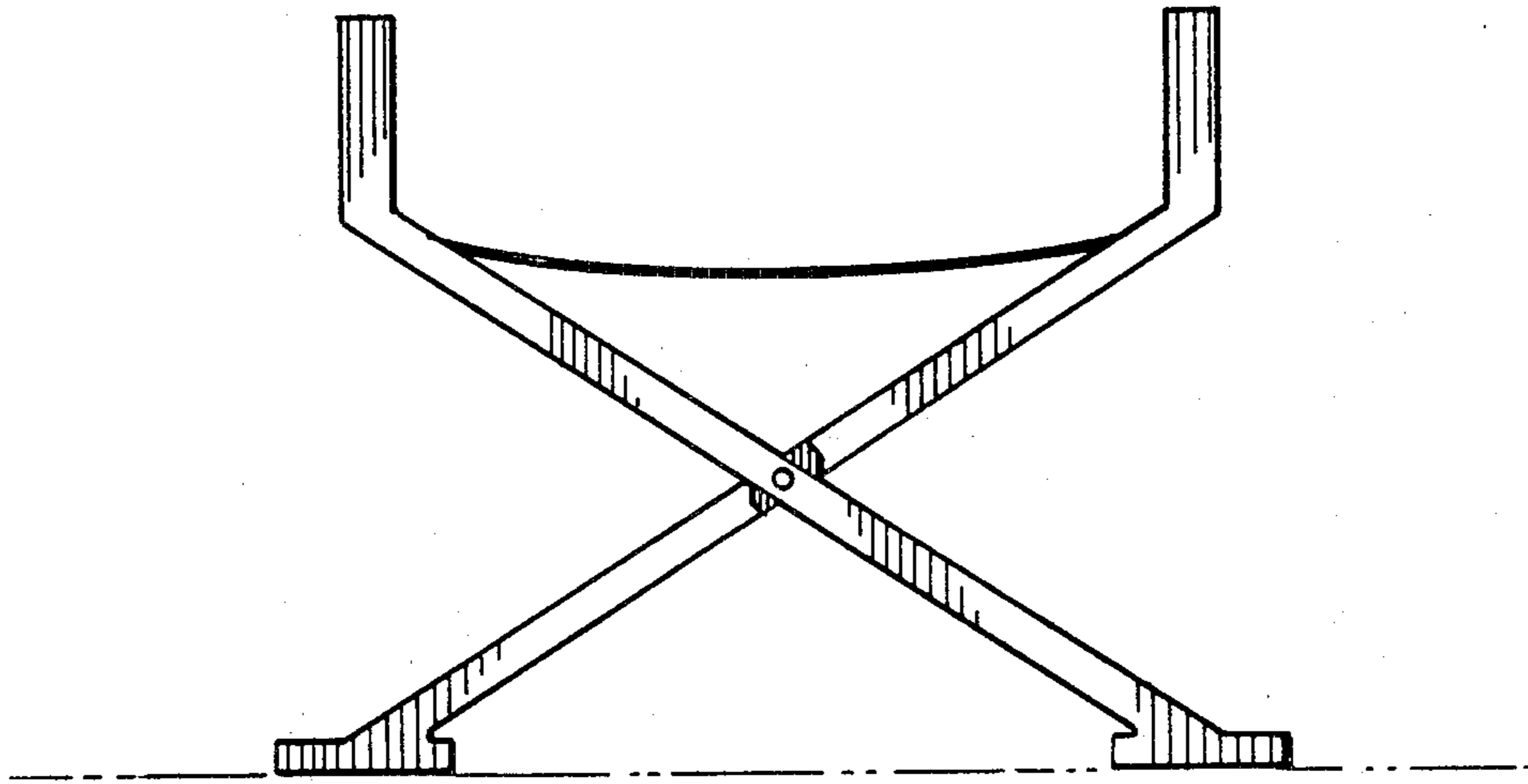


FIG. 5