

[54] HAIR SETTER

[75] Inventors: Masafumi Yamagami; Yukiko Ito; Keiko Matoba, all of Osaka, Japan

[73] Assignee: Sharp Corporation, Osaka, Japan

[**] Term: 14 Years

[21] Appl. No.: 659,884

[22] Filed: Oct. 11, 1984

[52] U.S. Cl. D28/38

[58] Field of Search D28/9-11, D28/35, 38, 56-62, 99; D3/39; 219/222, 225; 132/1 R, 9

[56] References Cited

U.S. PATENT DOCUMENTS

D. 217,202	4/1970	Moffatt	D28/38
D. 233,551	11/1974	Sitterle	D28/12 X
D. 238,716	2/1976	Michaels	D28/9
3,250,895	5/1966	McNair	D28/38 X

OTHER PUBLICATIONS

Retailing Home Furnishings, 7/11/77, section 2, p. 26-The Nail Machine at top right.

Primary Examiner—Louis S. Zarfes
Attorney, Agent, or Firm—Flehr, Hohbach, Test, Albritton & Herbert

[57] CLAIM

The ornamental design for a hair setter, as shown and described.

DESCRIPTION

FIG. 1 is a perspective view of the hair setter showing our new design;

FIG. 2 is a perspective view of the hair setter in use;

FIG. 3 is a top plan view thereof;

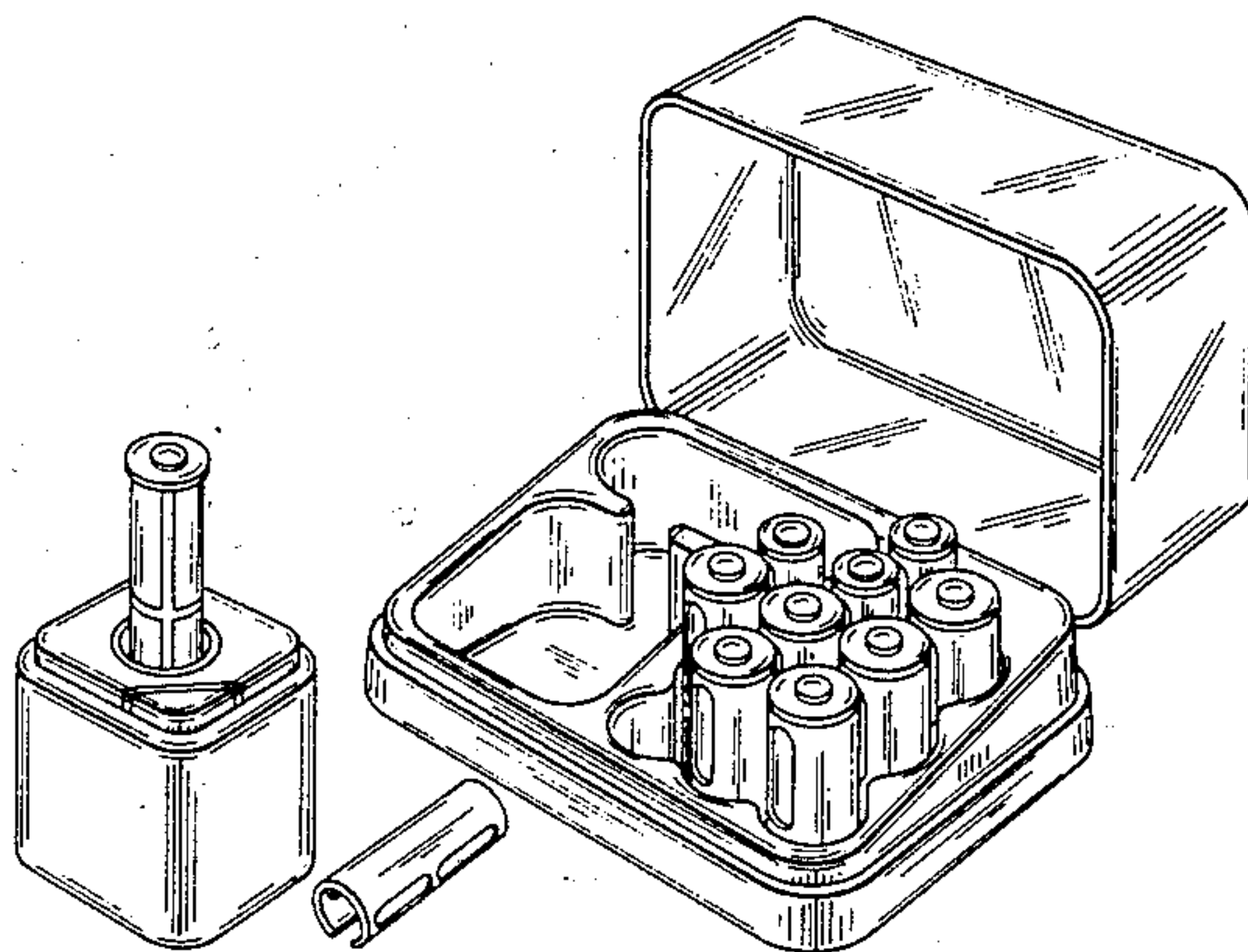
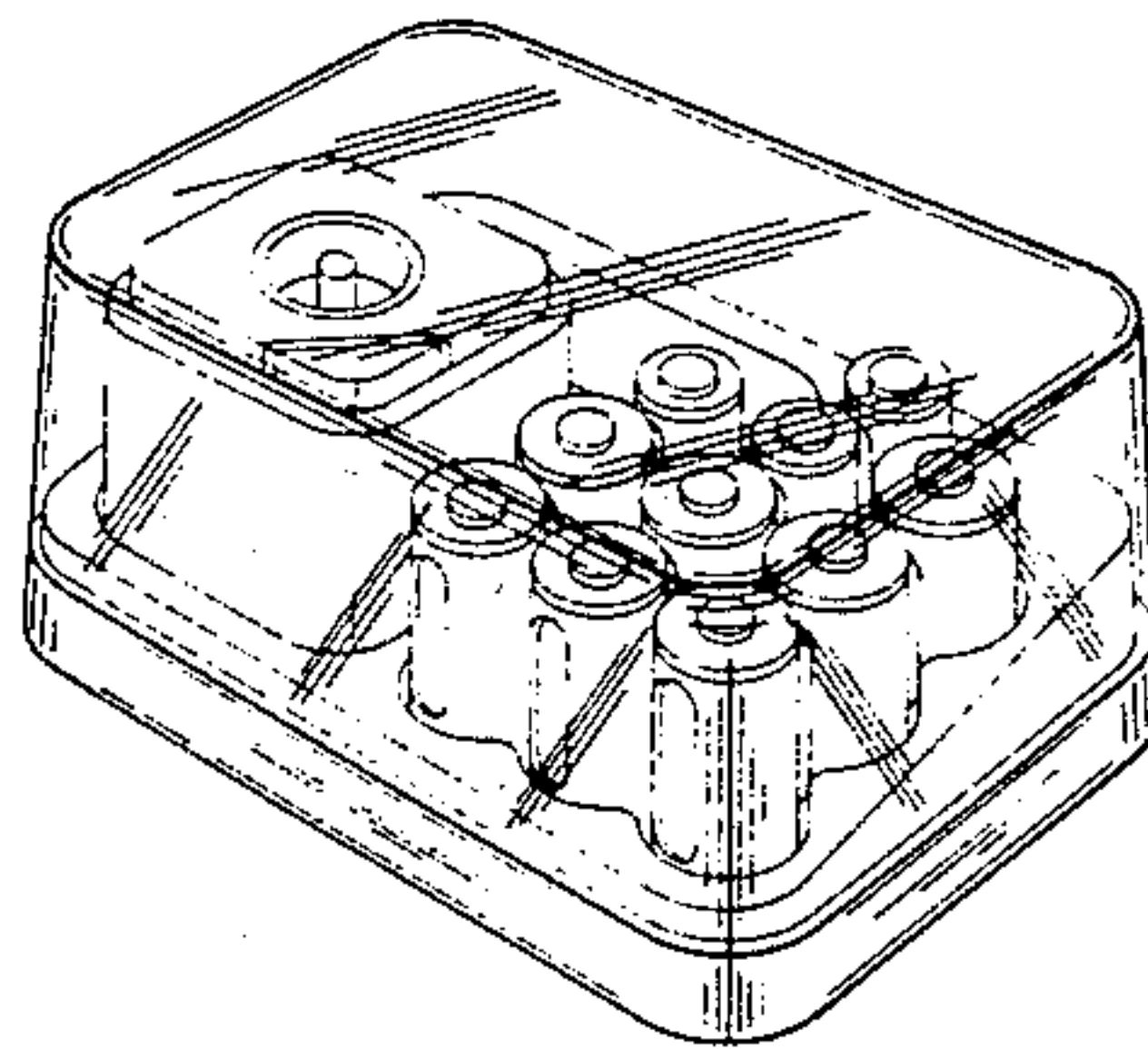
FIG. 4 is a front elevational view thereof;

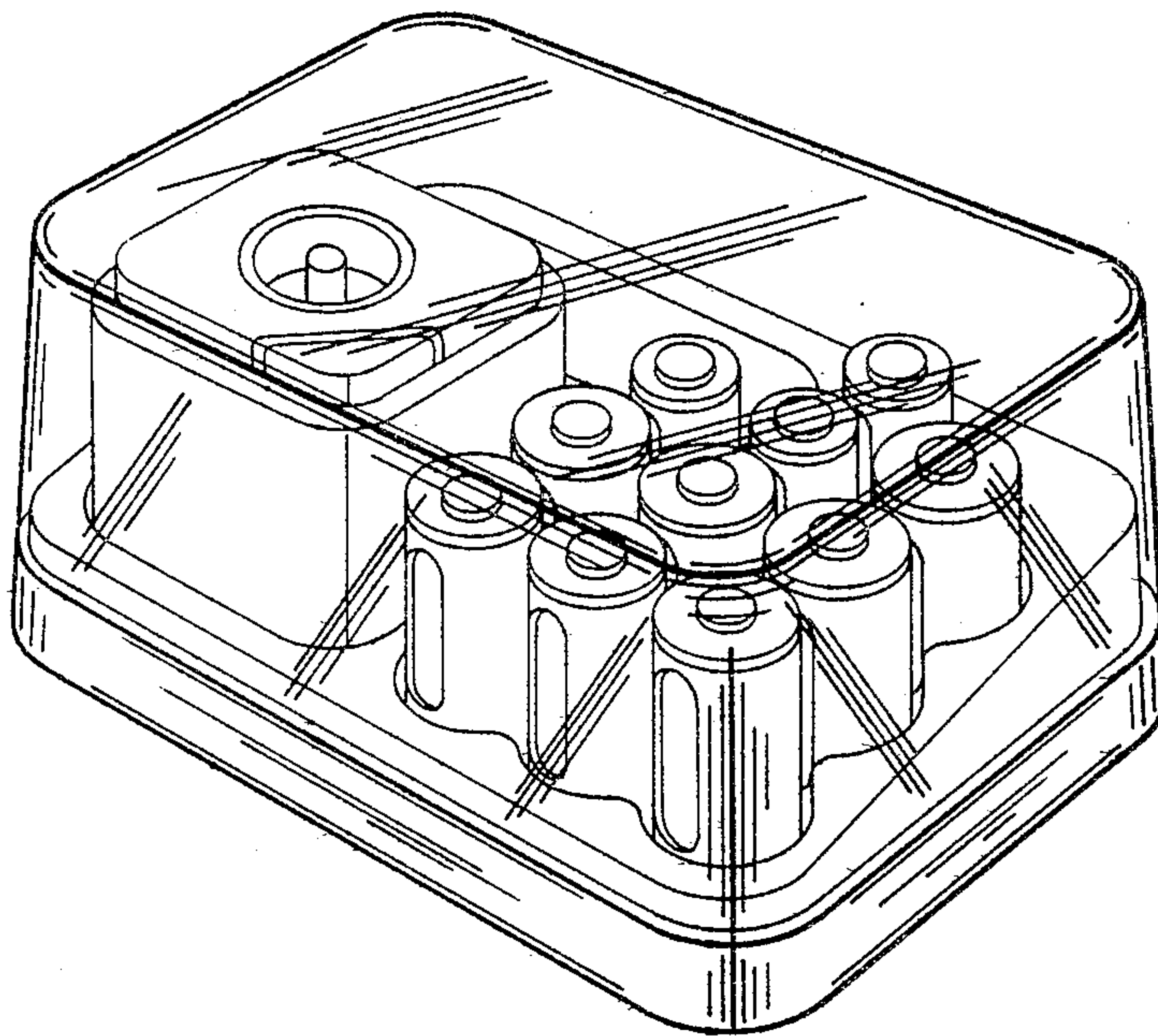
FIG. 5 is a rear elevational view thereof;

FIG. 6 is a right side elevational view thereof;

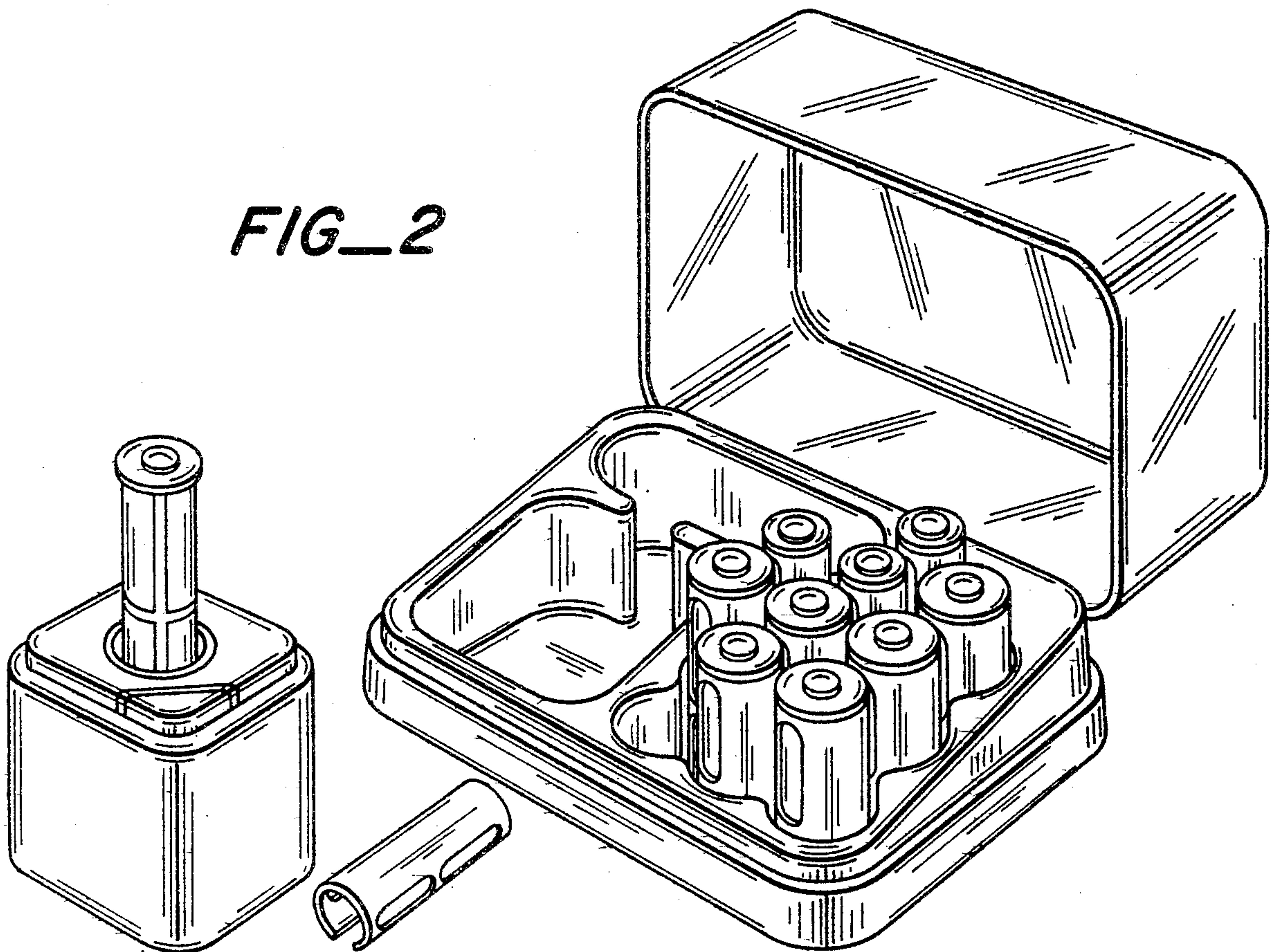
FIG. 7 is a left side elevational view thereof; and

FIG. 8 is a bottom view thereof.

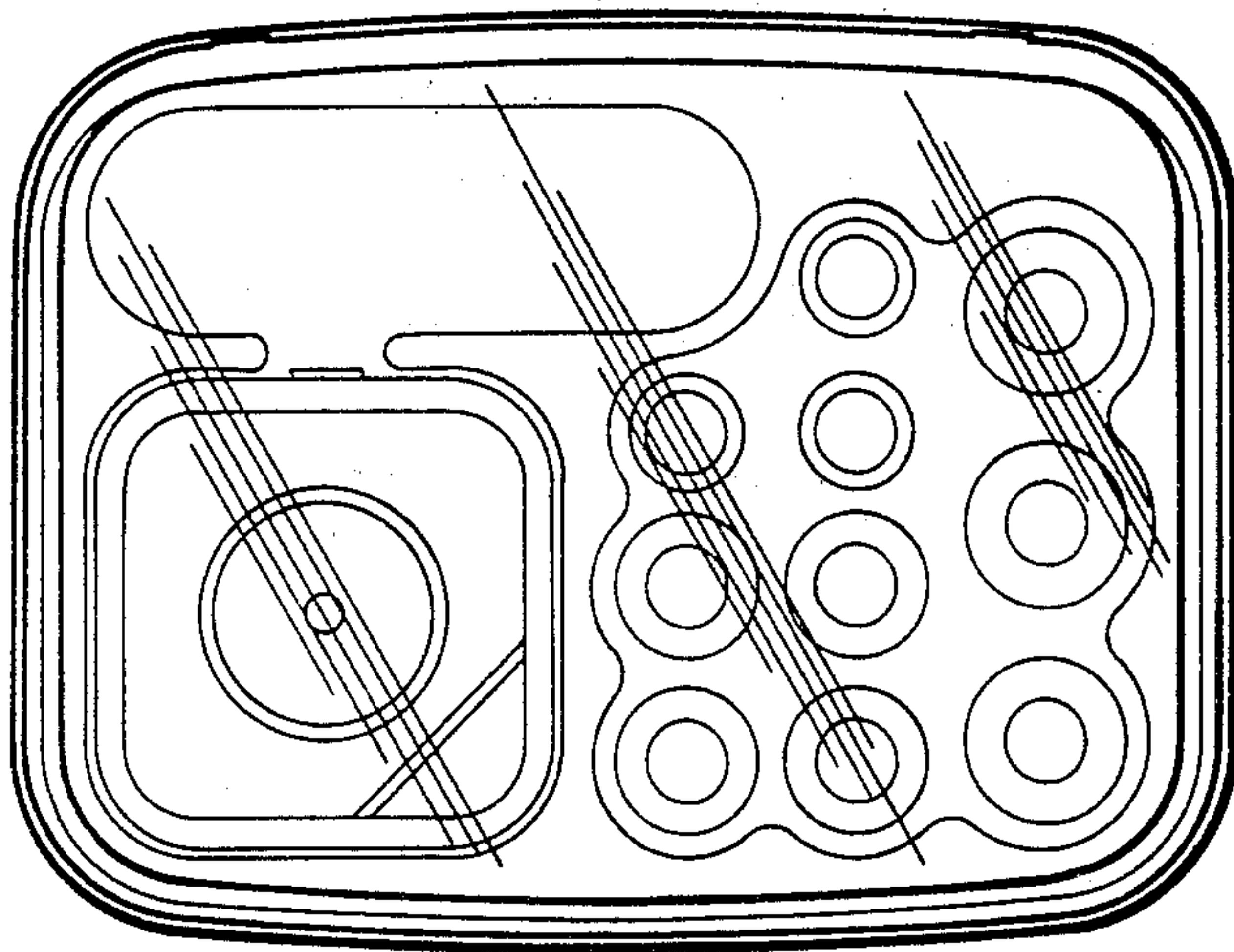




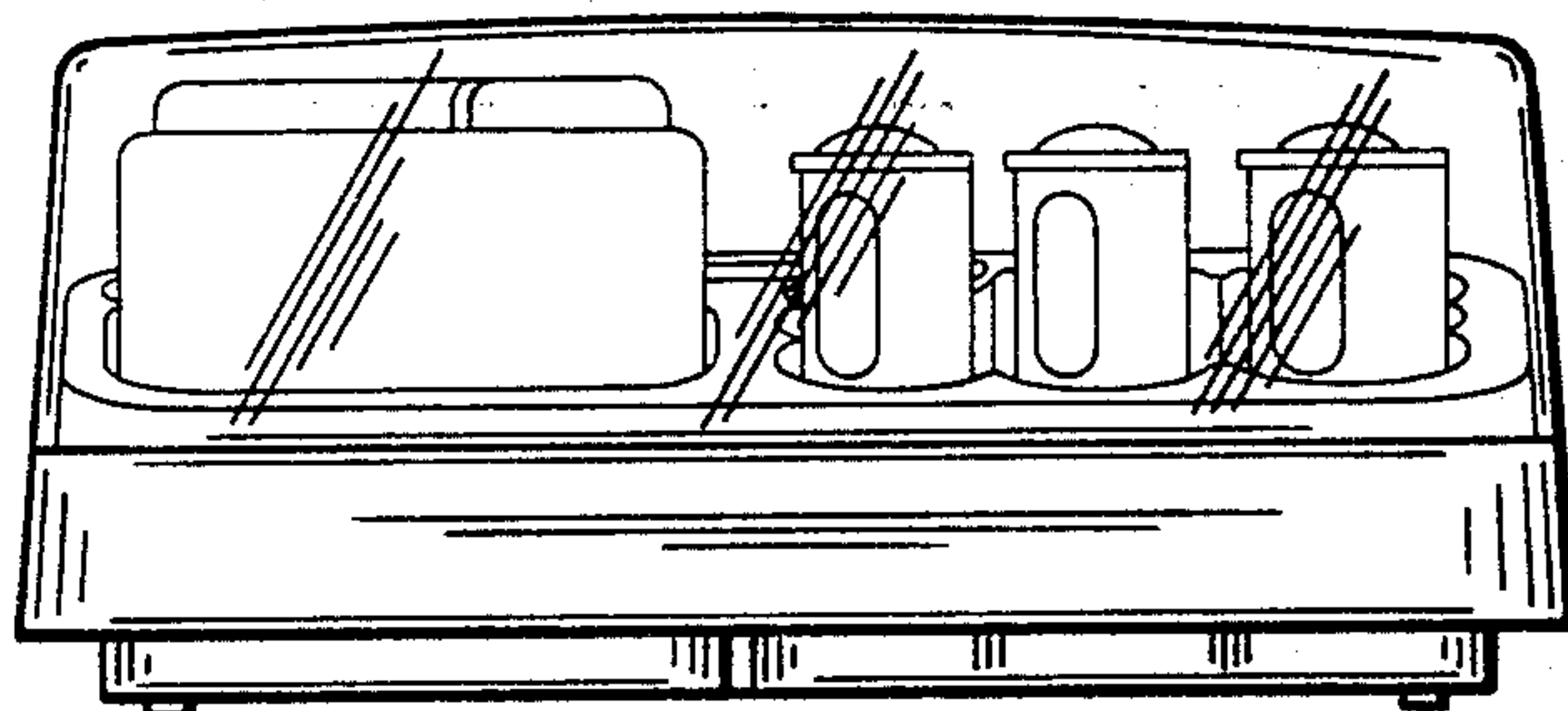
FIG_1



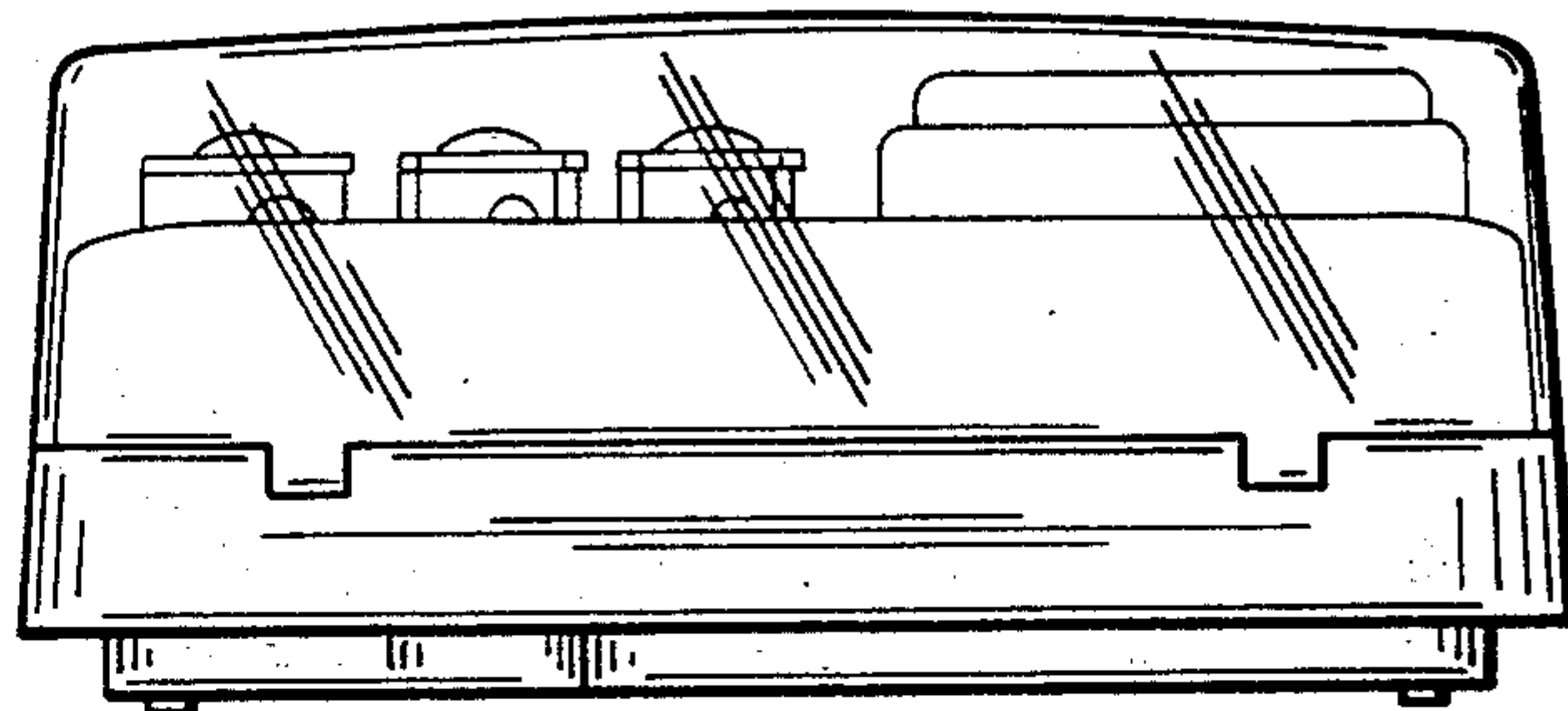
FIG_2



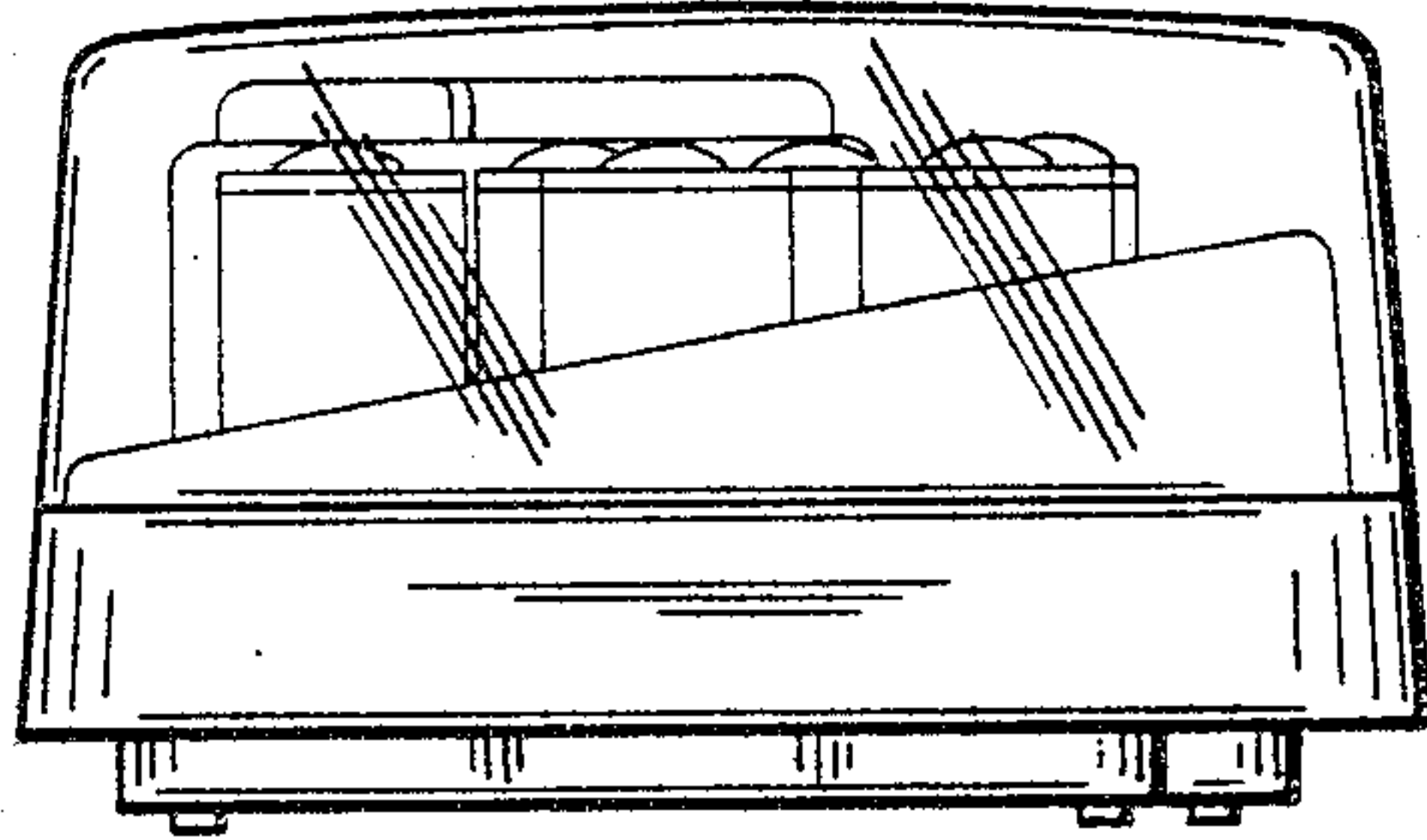
FIG_3



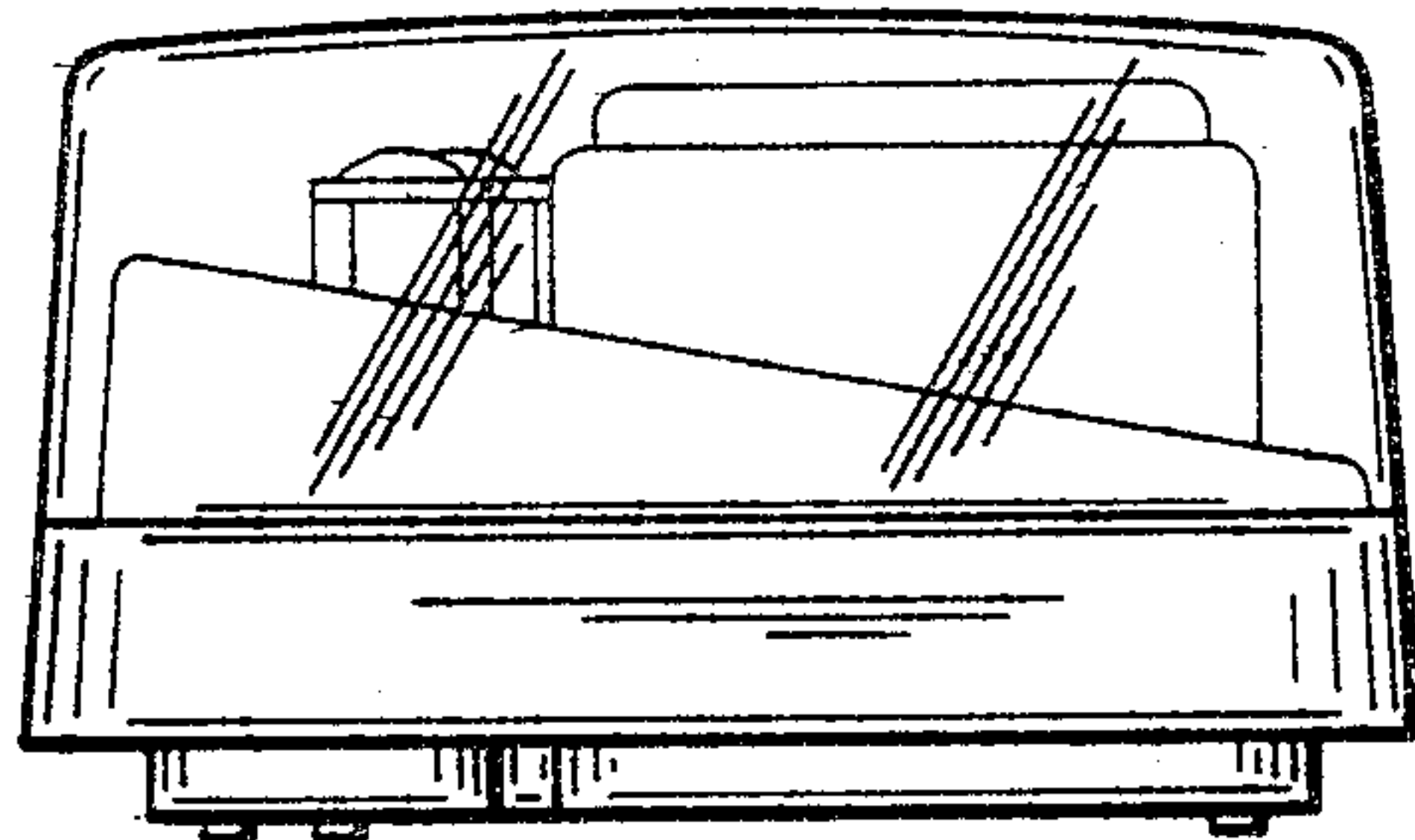
FIG_4



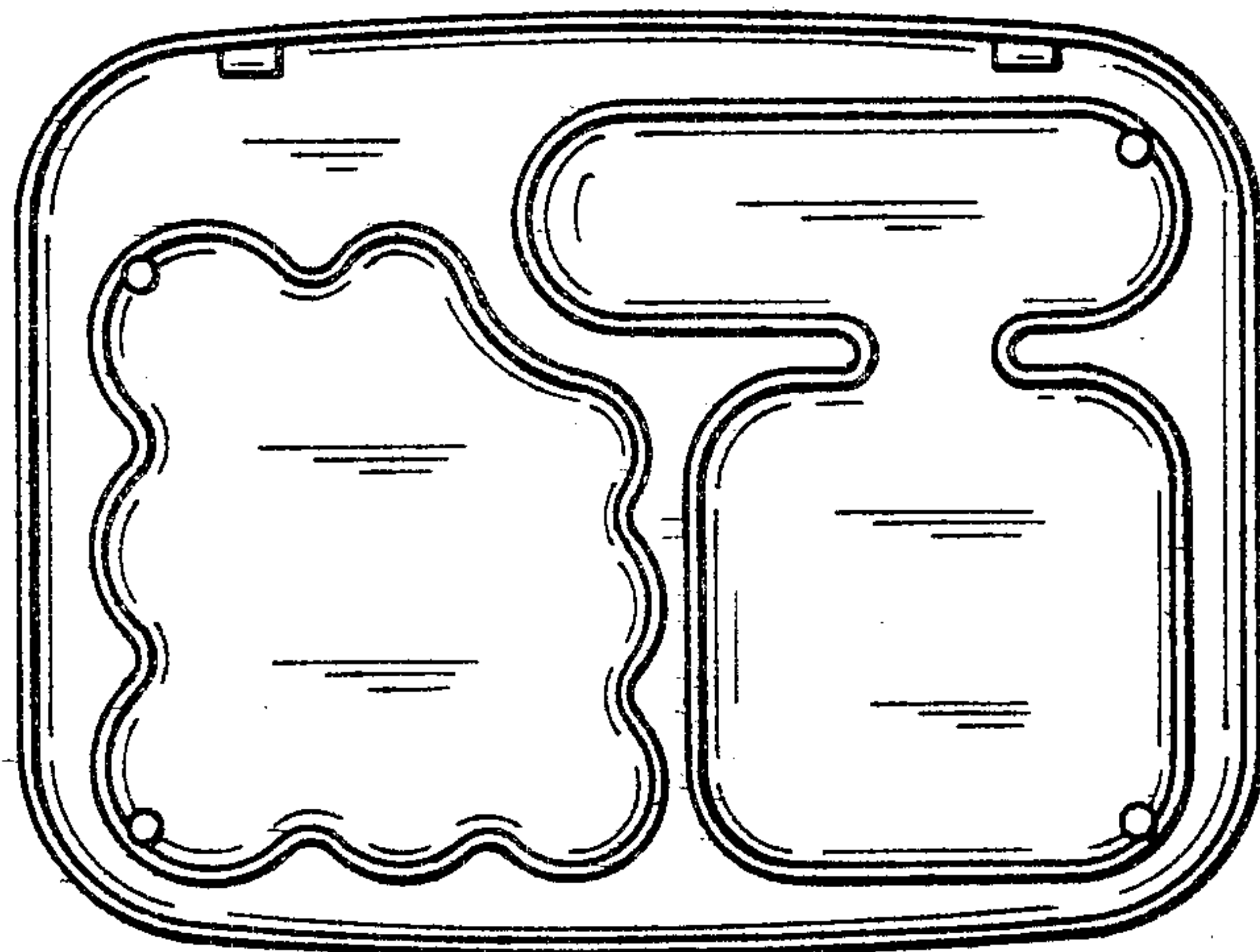
FIG_5



FIG_6



FIG_7



FIG_8