

[54] COMBINED LAMP AND AIR PUMP

[76] Inventor: Shaw-Wei Wang, 7-4 750 South Tun Hua Rd., Taipei, Taiwan

[**] Term: 14 Years

[21] Appl. No.: 595,652

[22] Filed: Apr. 2, 1984

[52] U.S. Cl. D26/38; D15/9

[58] Field of Search D26/37-51; 362/157, 158, 183-208; D15/7, 9; 417/234

[56] References Cited

U.S. PATENT DOCUMENTS

D. 270,733 9/1983 Davis D15/9

OTHER PUBLICATIONS

Hong Kong Enterprise, vol. 10, 1982, p. 60, Air Compressor with Light.

Primary Examiner—Susan J. Lucas

Attorney, Agent, or Firm—Frank D. Gilliam

[57] CLAIM

The ornamental design for a combined lamp and air pump, substantially as shown.

DESCRIPTION

FIG. 1 is a perspective view of a combined lamp and air pump showing my design;

FIG. 2 is a top plan view thereof;

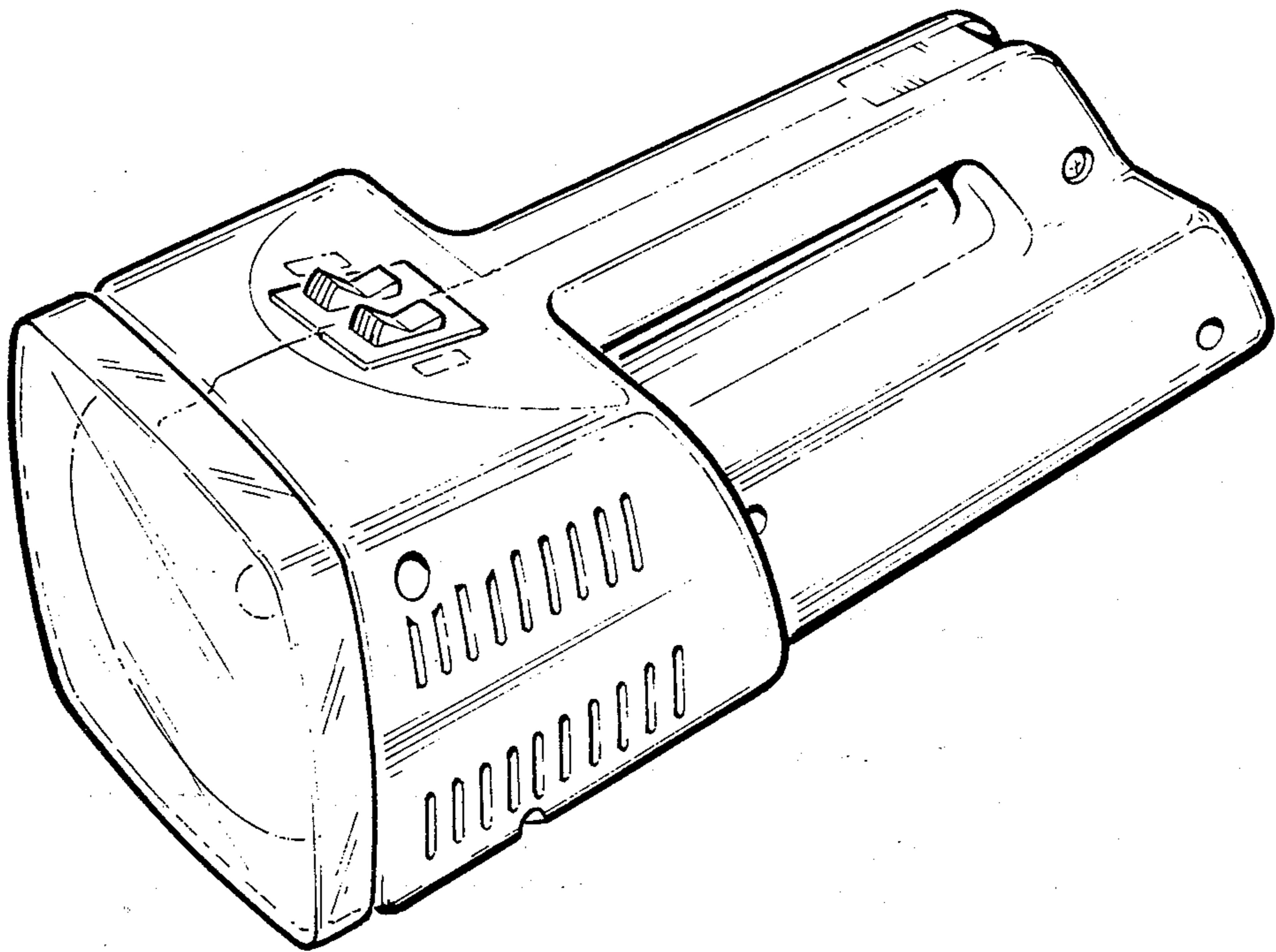
FIG. 3 is a right side elevational view thereof;

FIG. 4 is a bottom plan view thereof;

FIG. 5 is a front elevational view thereof;

FIG. 6 is a rear elevational view thereof;

FIG. 7 is a left side elevational view thereof.



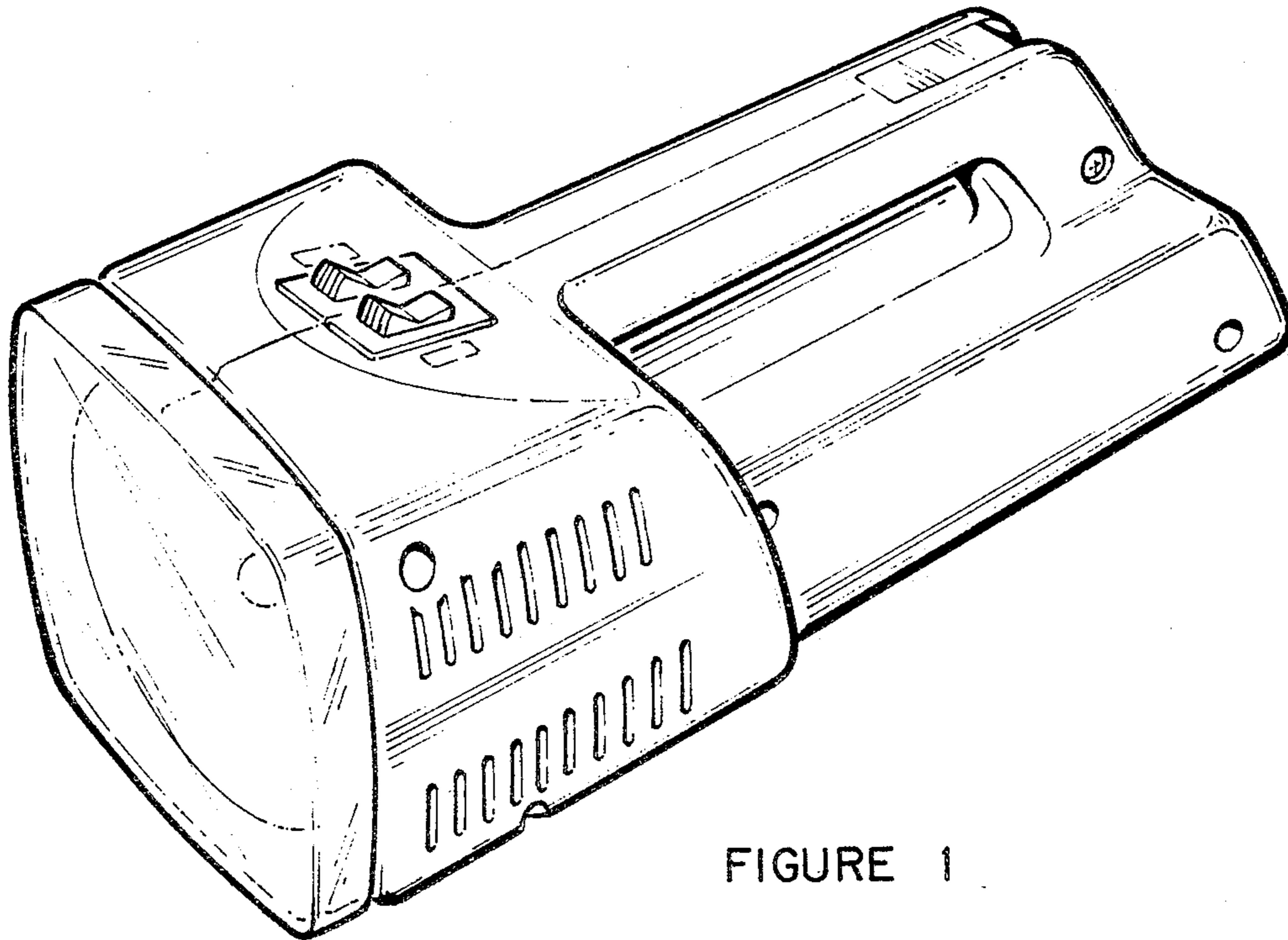


FIGURE 1

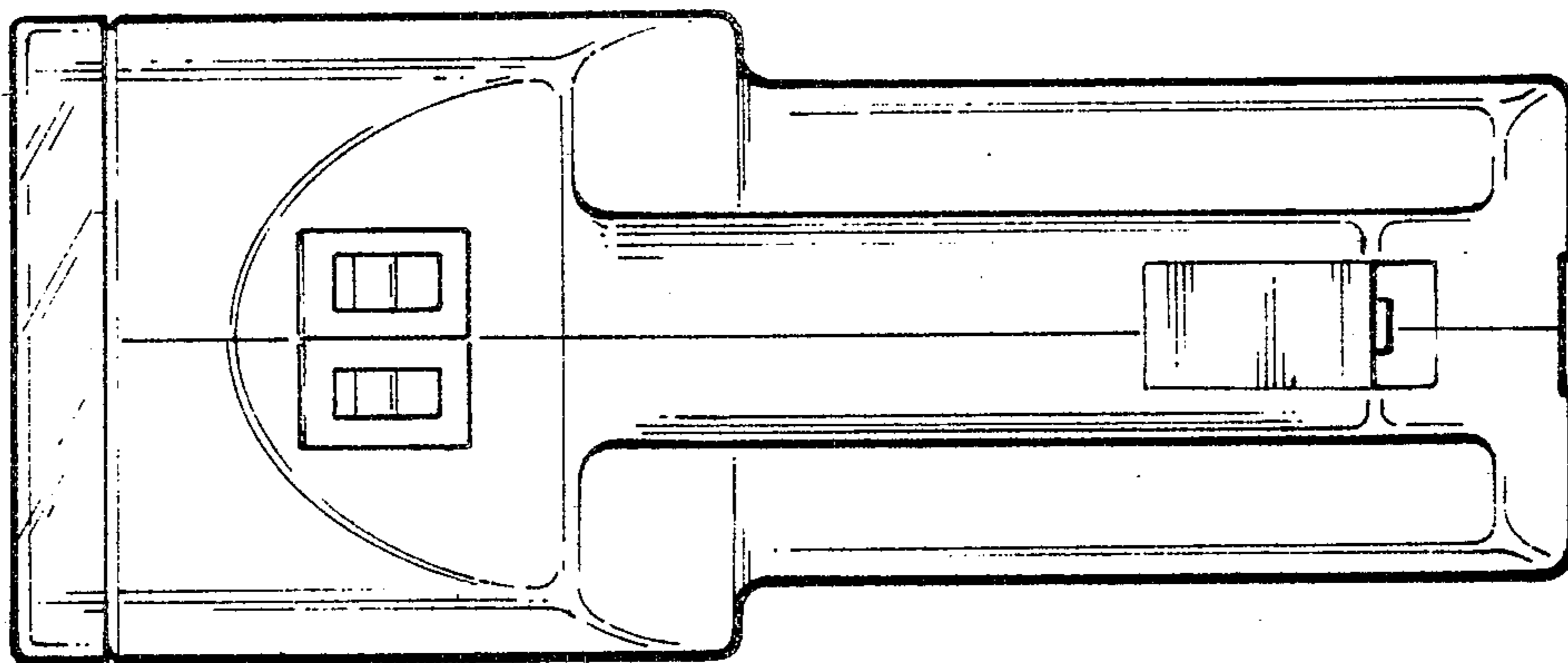


FIGURE 2

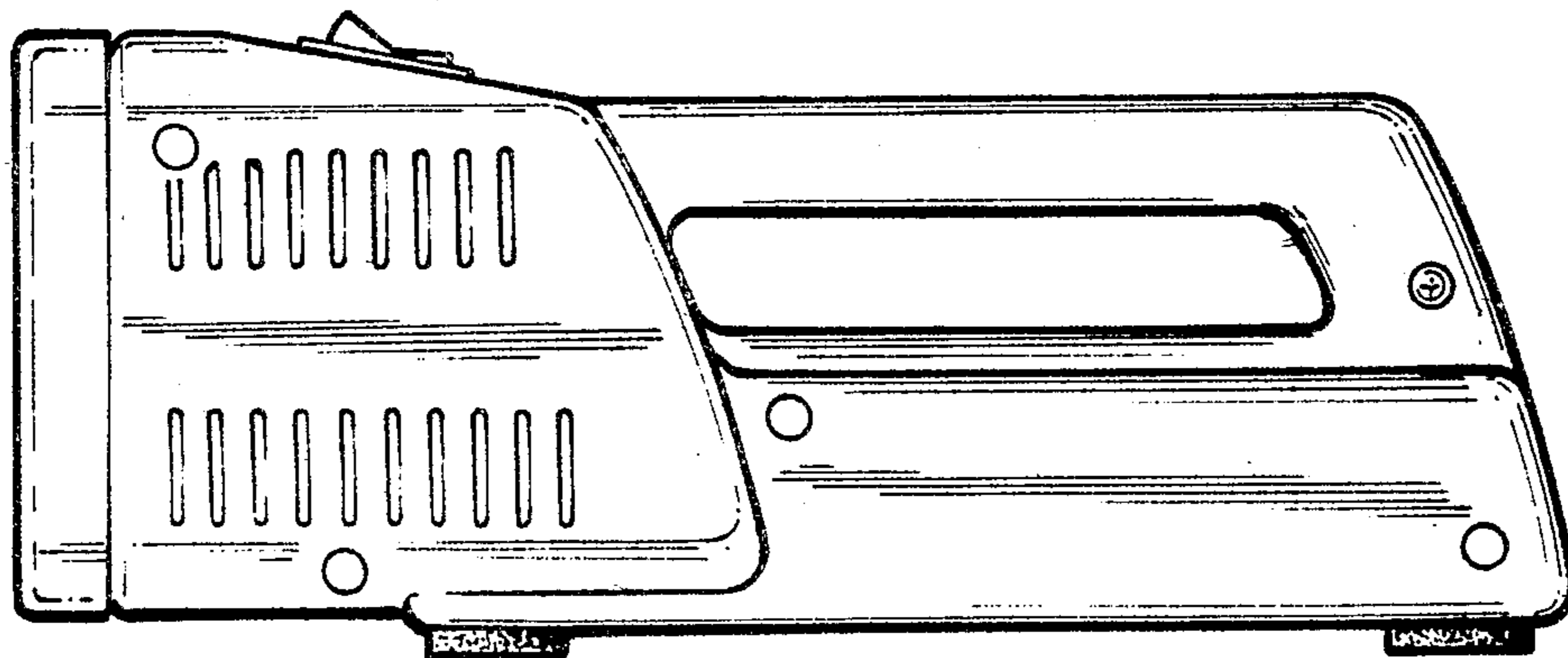


FIGURE 3

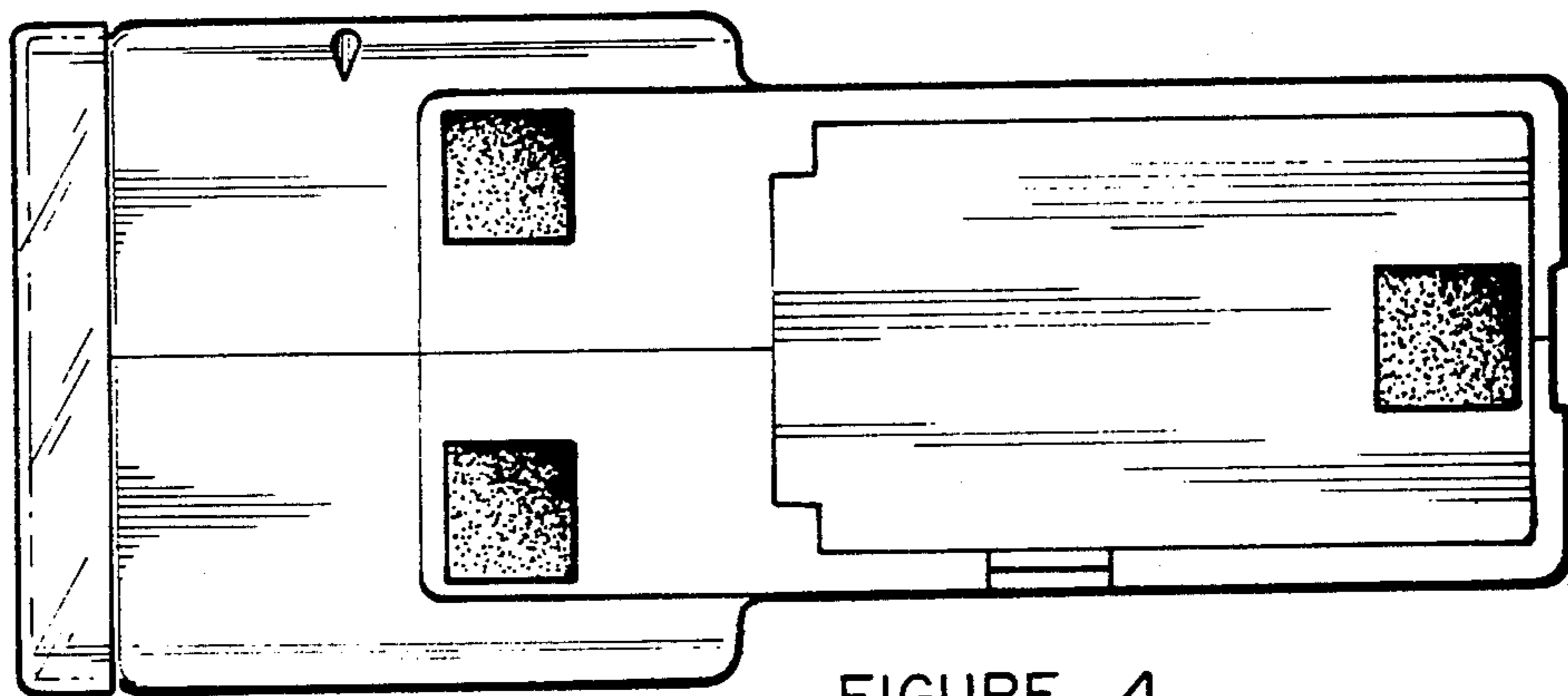


FIGURE 4

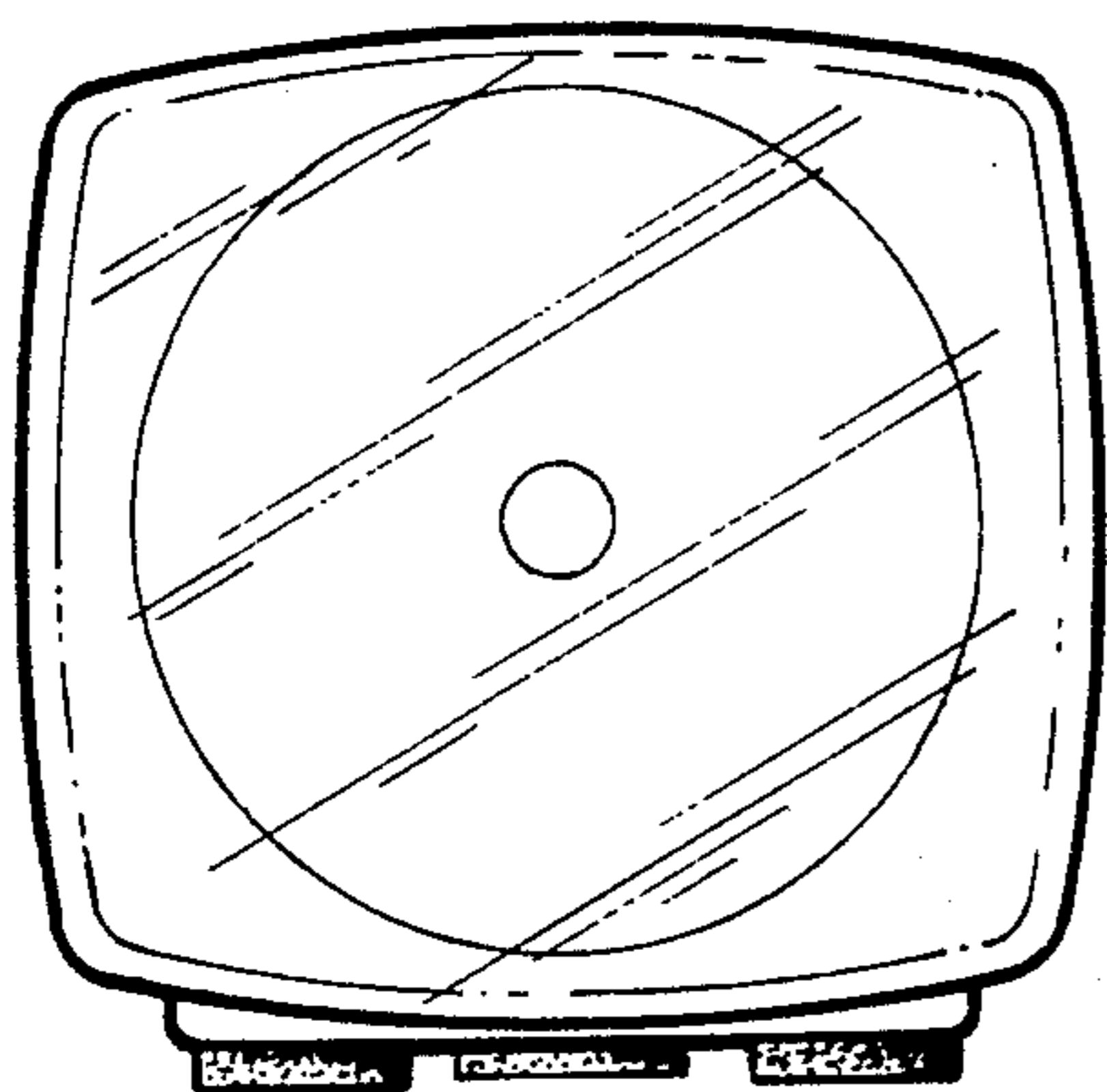


FIGURE 5

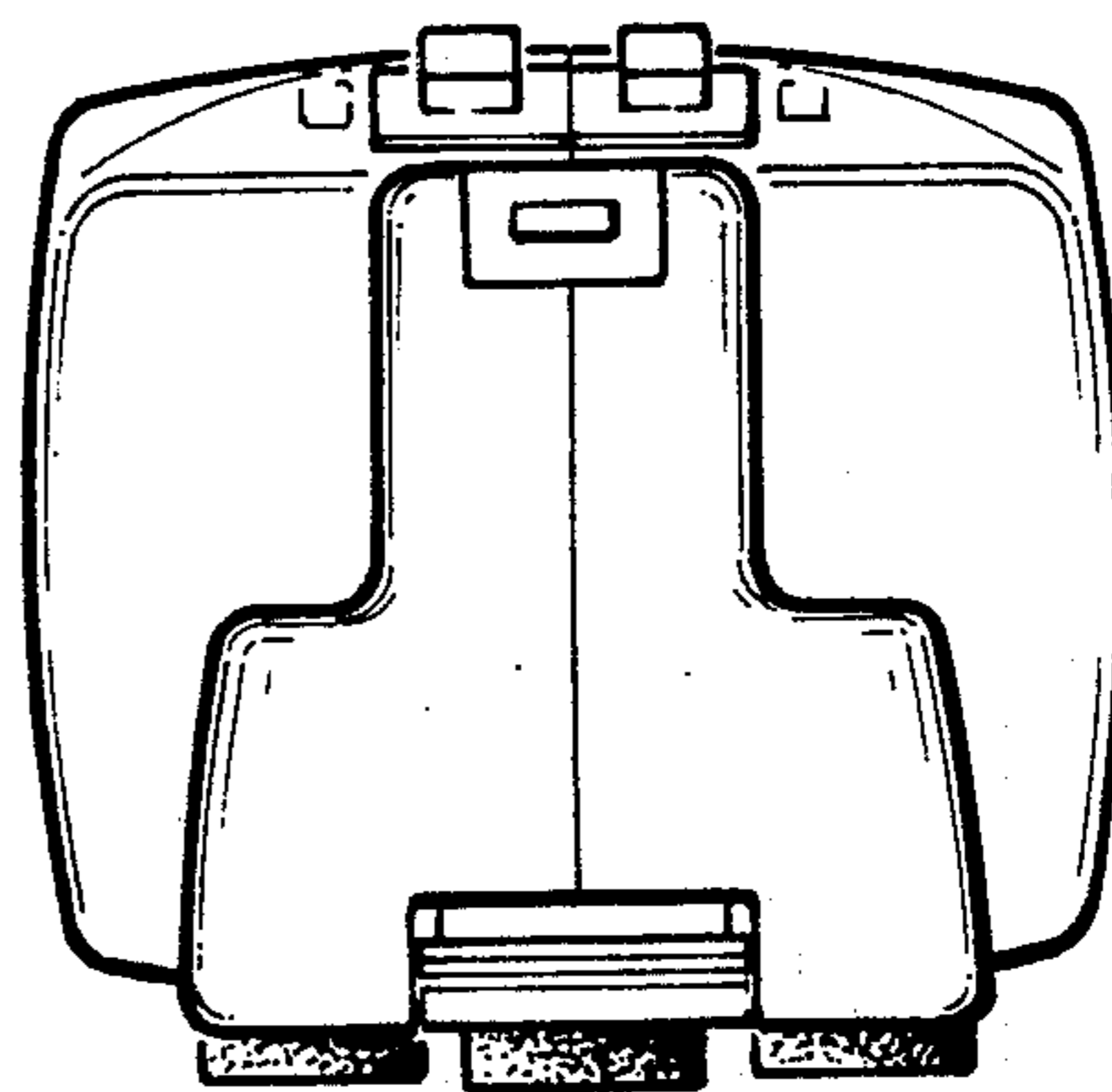


FIGURE 6

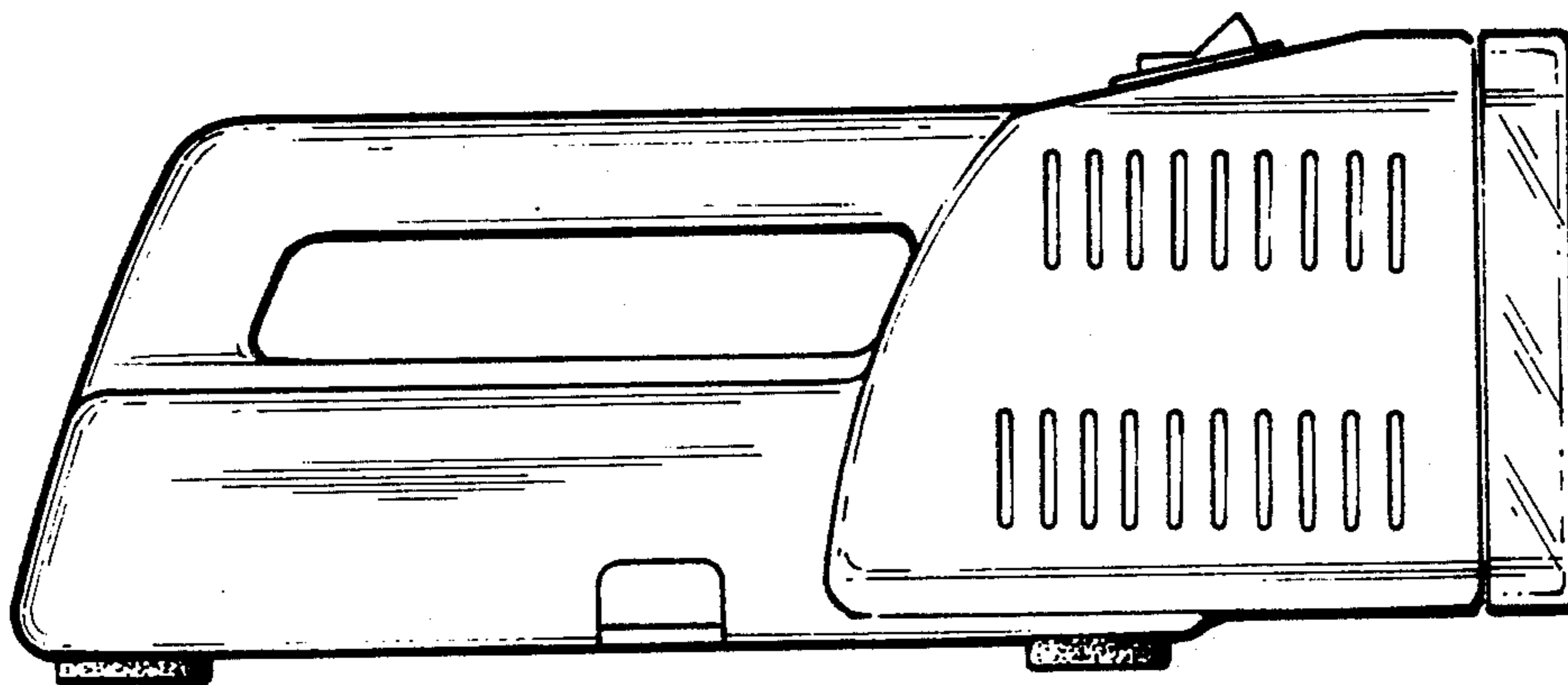


FIGURE 7