

[54] COMBINED SPOTLIGHT AND EMERGENCY BLINKING LIGHT

[75] Inventor: John S. Yuen, Kowloon, Hong Kong

[73] Assignee: John Manufacturing Limited, Kowloon, Hong Kong

[**] Term: 14 Years

[21] Appl. No.: 629,798

[22] Filed: Jul. 11, 1984

[30] Foreign Application Priority Data

Jan. 19, 1984 [GB] United Kingdom 1 017 425
 [52] U.S. Cl. D26/38; D26/48
 [58] Field of Search D26/37-52;
 362/157, 158, 183-208, 86; D14/74

[56] References Cited

U.S. PATENT DOCUMENTS

D. 255,612 6/1980 Wong et al. D26/48
 D. 256,278 8/1980 Wong et al. D26/46
 D. 280,442 9/1985 Ohashi D26/38
 3,272,733 5/1966 Moore et al. 362/157

Primary Examiner—Susan J. Lucas
 Attorney, Agent, or Firm—Beall Law Offices

[57] CLAIM

The ornamental design for a combined spotlight and emergency blinking light.

DESCRIPTION

FIG. 1 is a right side elevational view of a combined spotlight and emergency blinking light showing my new design;

FIG. 2 is a front elevational view thereof;

FIG. 3 is a top plan view thereof;

FIG. 4 is a bottom plan view thereof;

FIG. 5 is a rear elevational view thereof;

FIG. 6 is a left side elevational view thereof.

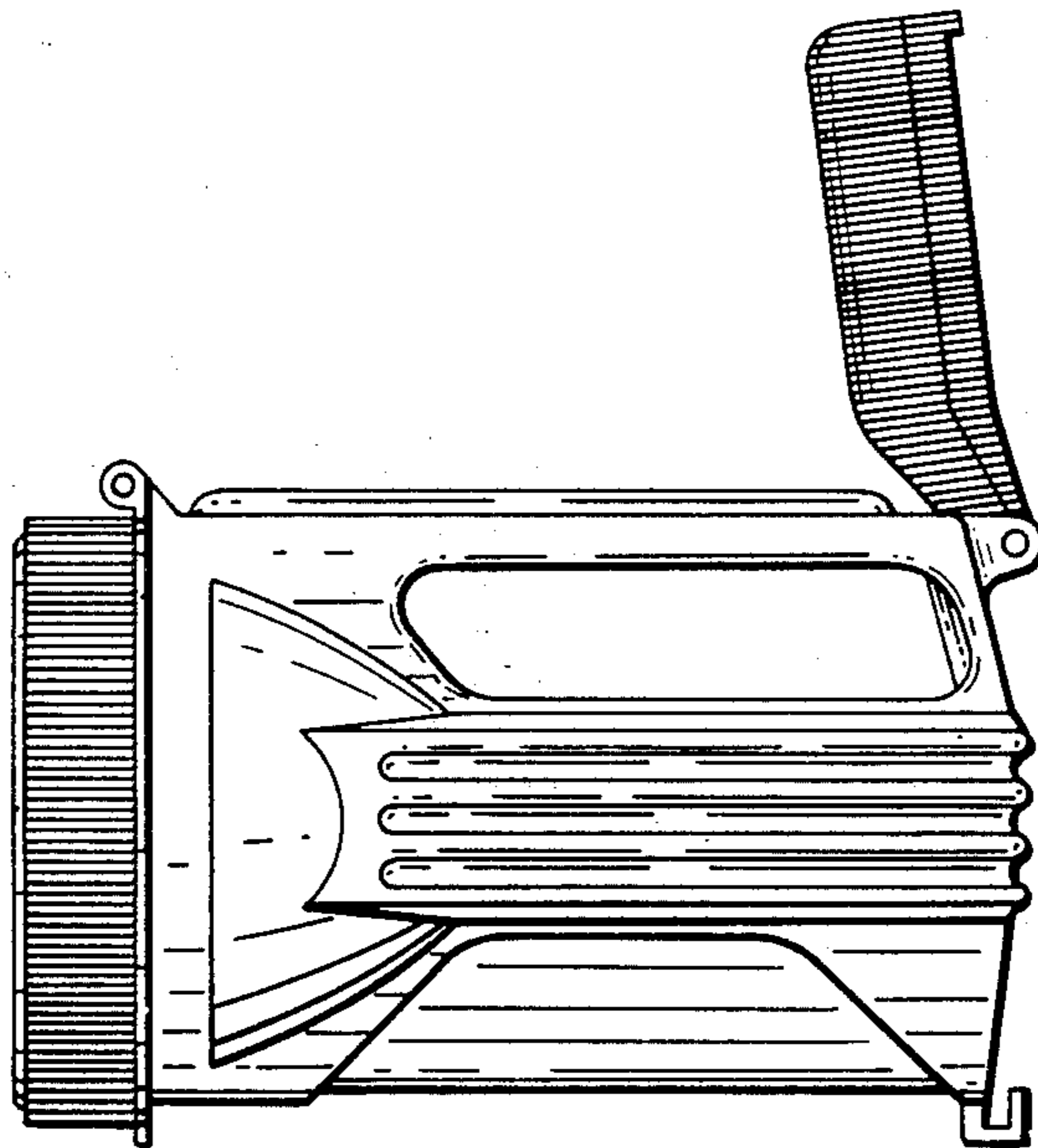


FIG. 1

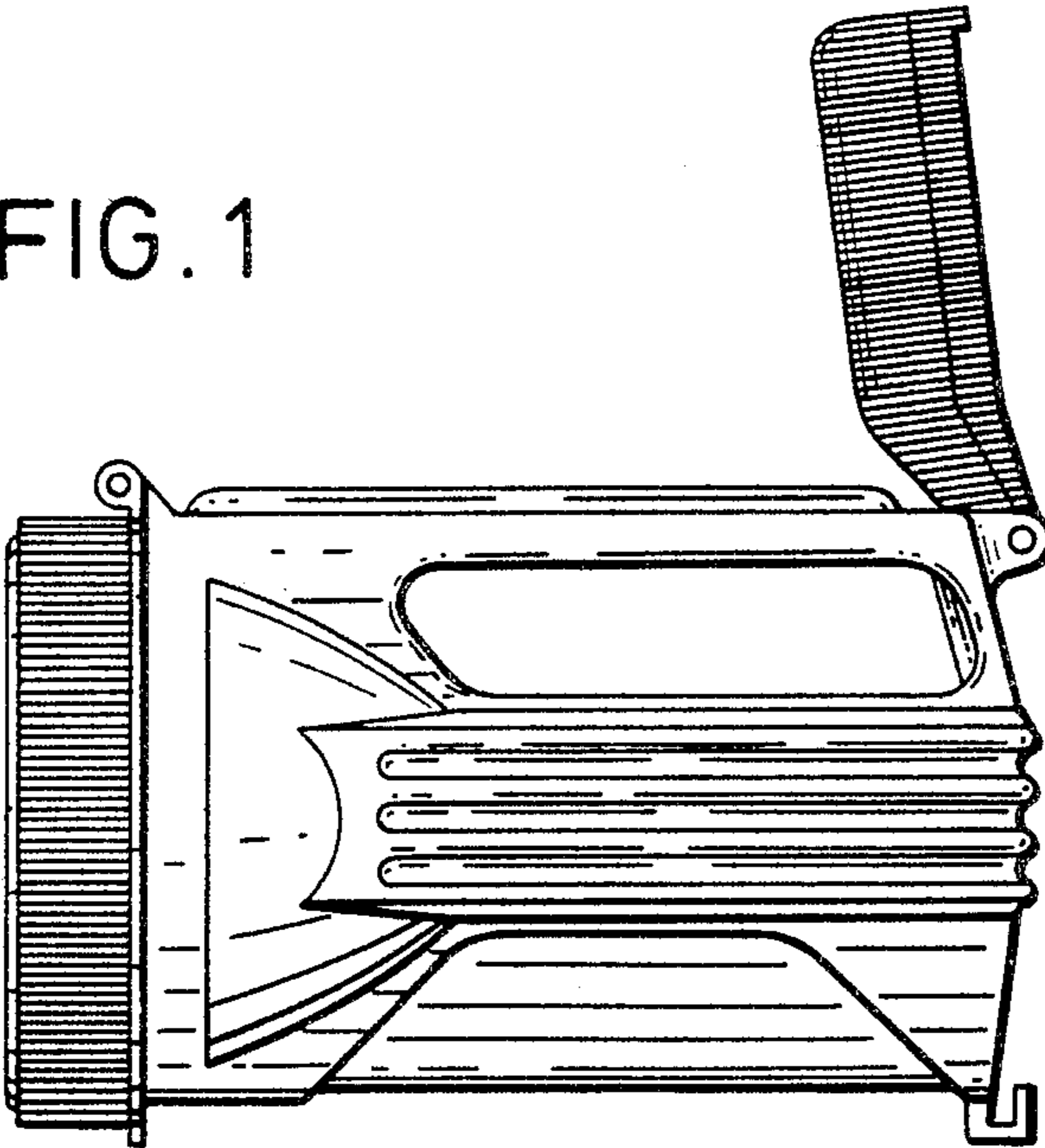


FIG. 2

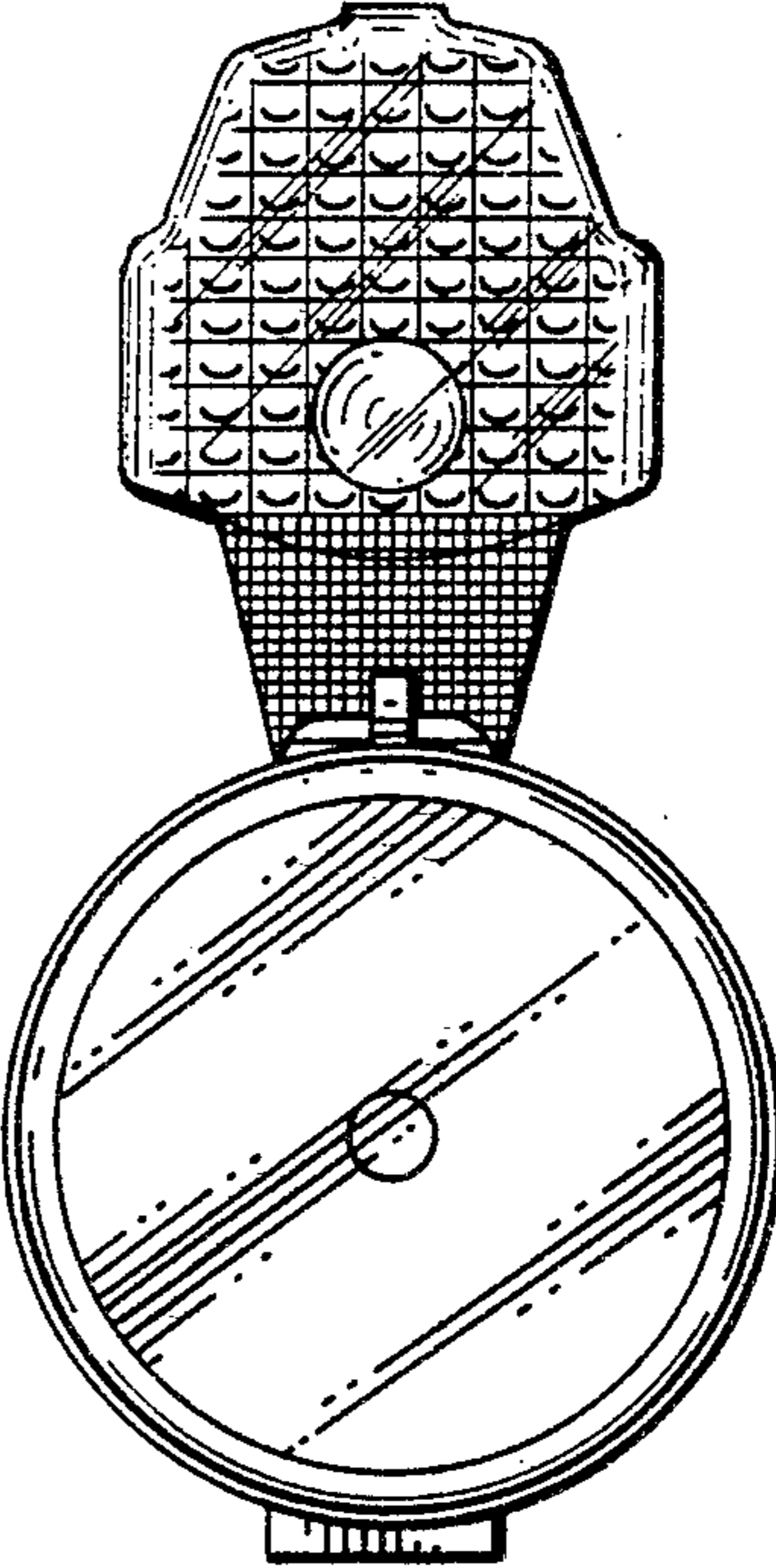


FIG. 3

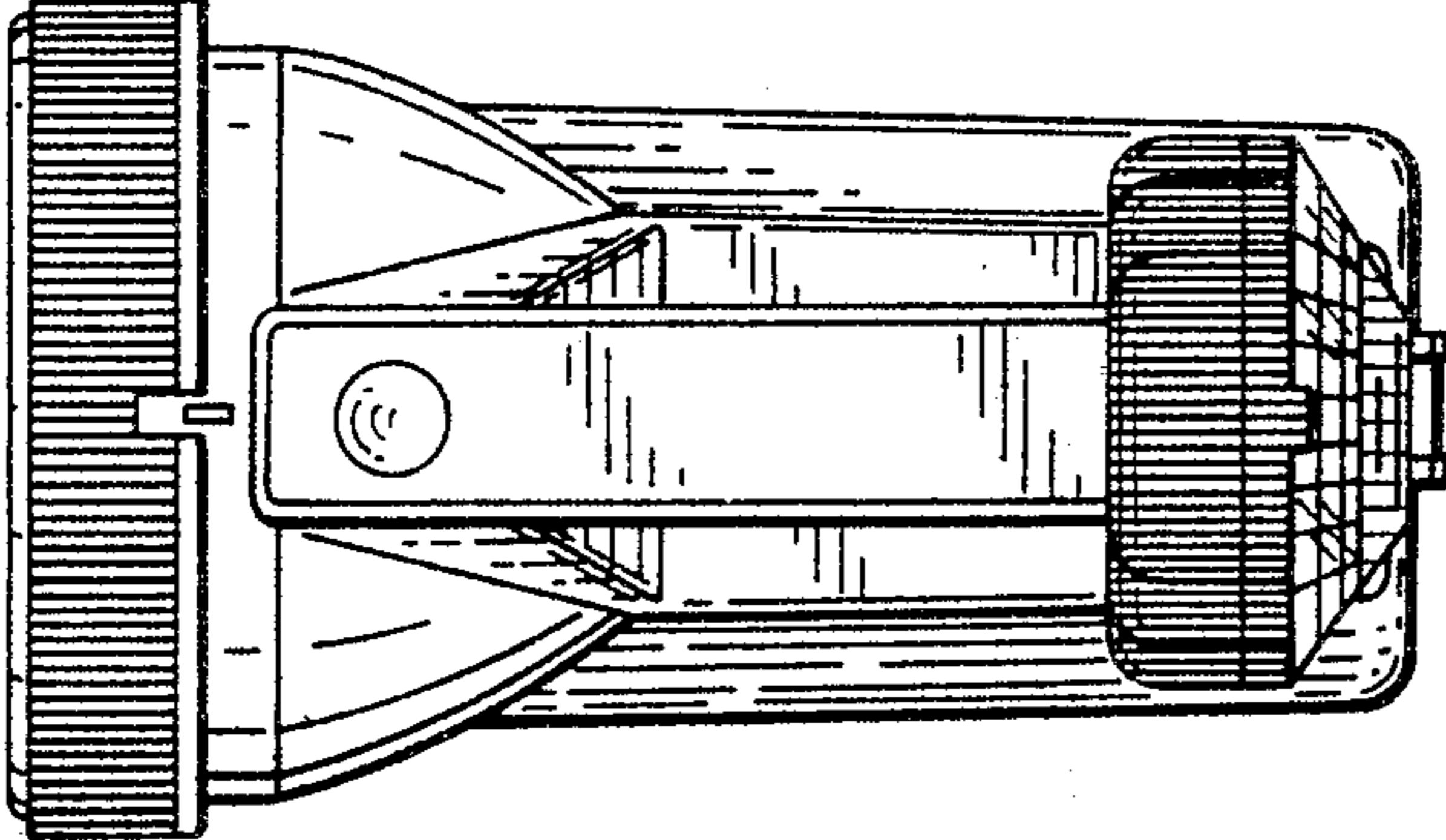


FIG. 4

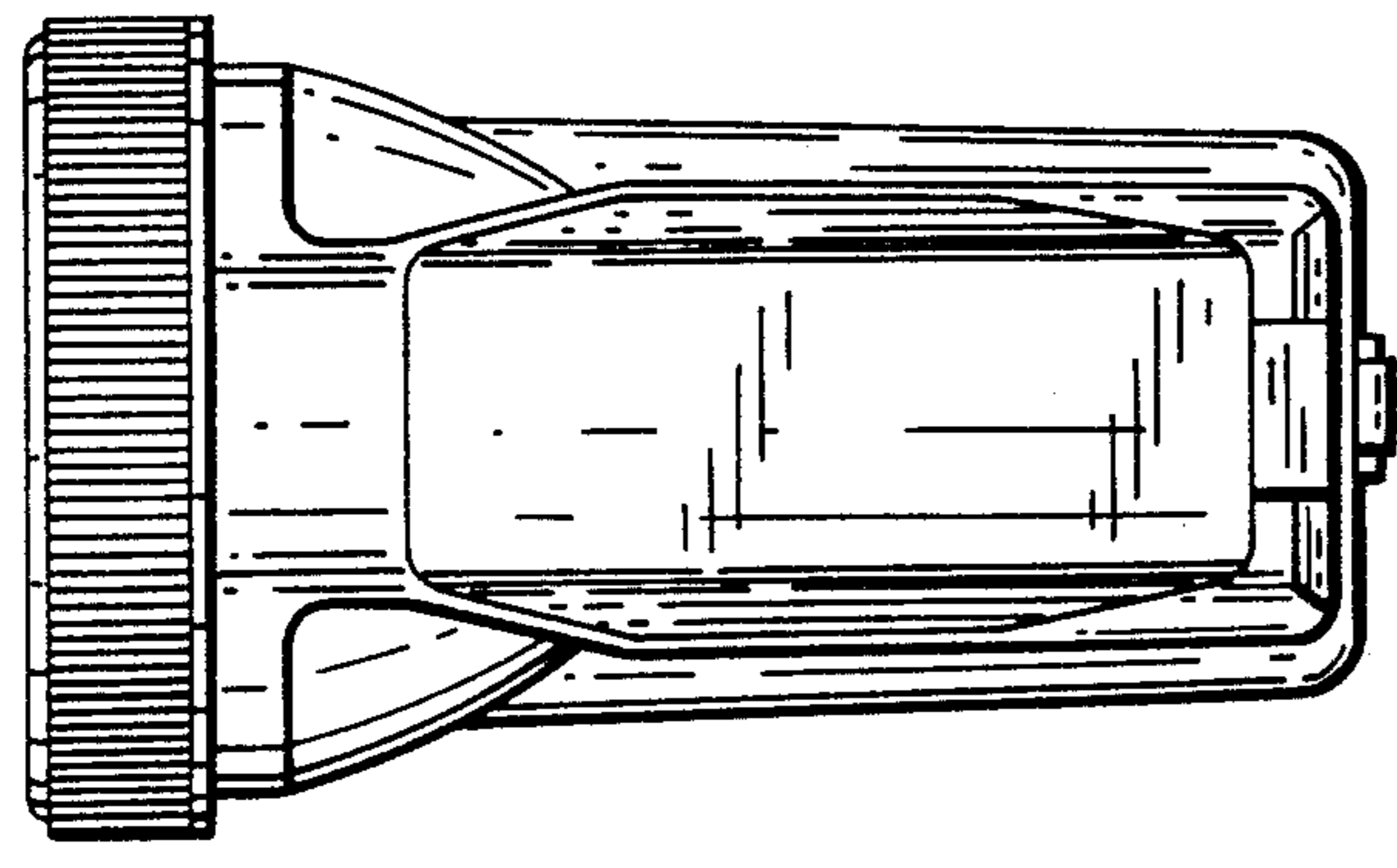


FIG. 5

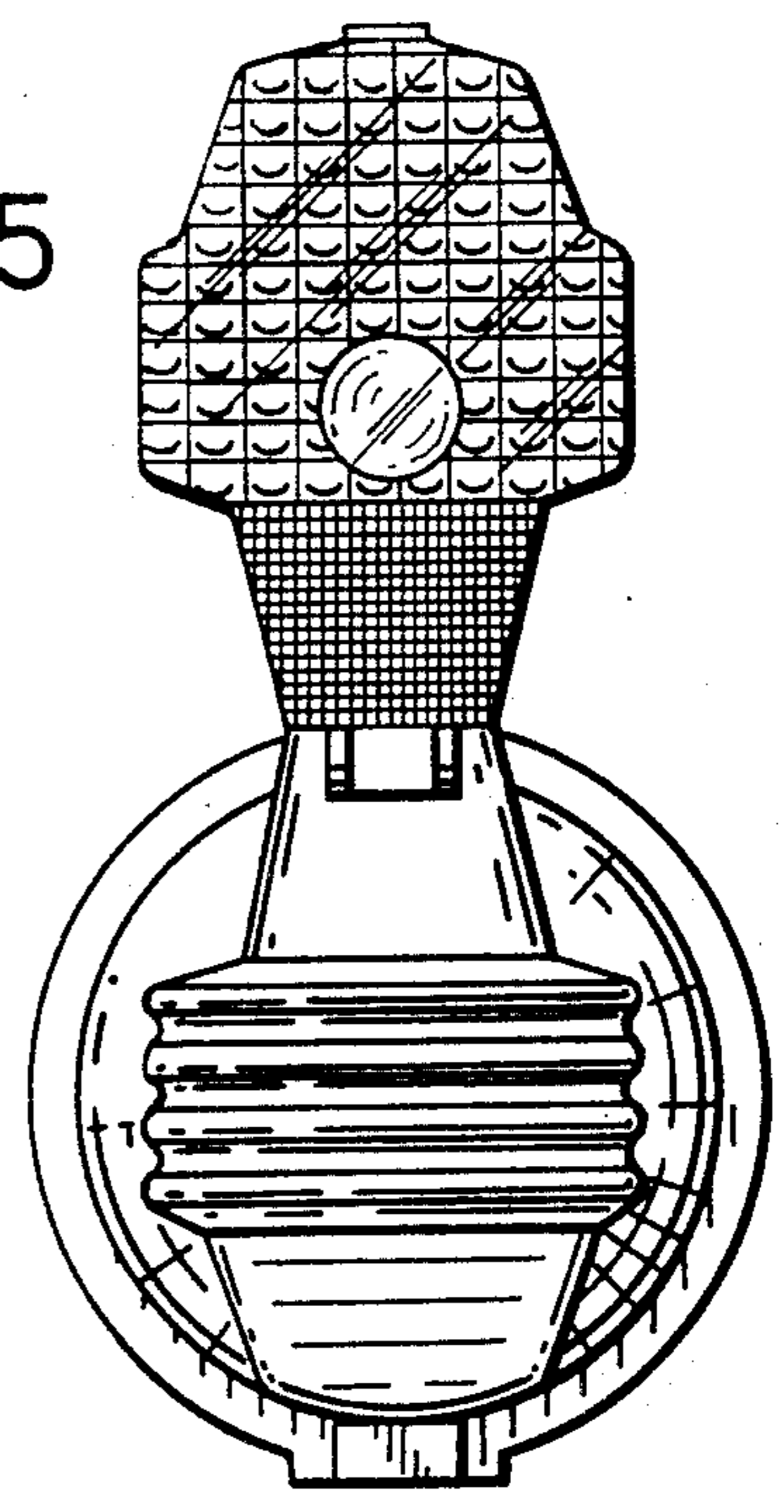


FIG. 6

