

[54] COMBINED PORTABLE LANTERN AND WARNING LAMP

[75] Inventor: Kwong Y. Wan, Kowloon, Hong Kong

[73] Assignee: Chung Ah Manufacturing Company Limited, Kowloon, Hong Kong

[**] Term: 14 Years

[21] Appl. No.: 556,959

[22] Filed: Dec. 1, 1983

[30] Foreign Application Priority Data

Jun. 9, 1983 [GB] United Kingdom 1013462
[52] U.S. Cl. D26/38; D10/114; D26/40
[58] Field of Search D26/37-50; 362/157, 158, 183-208; 340/84, 90, 321; D10/114

[56] References Cited

U.S. PATENT DOCUMENTS

D. 252,834 9/1979 Yip D26/42

D. 263,630 3/1982 Wong D26/41
D. 266,957 11/1982 Lee D26/48
2,932,018 4/1960 Schwartz 340/90

OTHER PUBLICATIONS

Hong Kong Enterprise, vol. 8, 1981, p. 188, Multi-Lantern.

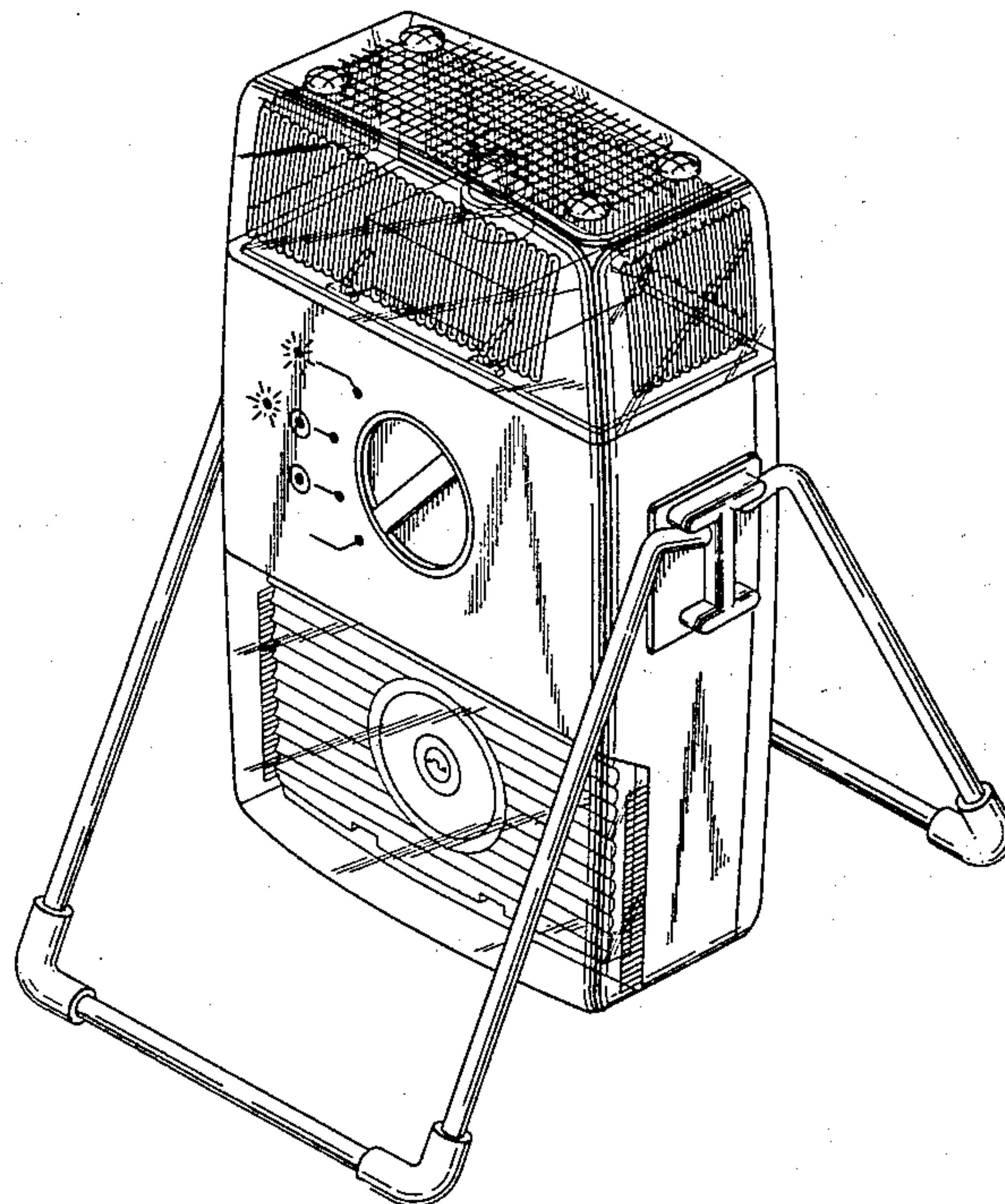
Primary Examiner—Susan J. Lucas
Attorney, Agent, or Firm—Wenderoth, Lind & Ponack

[57] CLAIM

The ornamental design for a combined portable lantern and warning lamp, substantially as shown and described.

DESCRIPTION

FIG. 1 is a front elevational view of a combined portable lantern and warning lamp showing my new design. FIG. 2 is a right side elevational view thereof, the left side being a mirror image thereof. FIG. 3 is a rear elevational view thereof. FIG. 4 is a top plan view thereof. FIG. 5 is a perspective view thereof on a reduced scale taken from above and to the right.



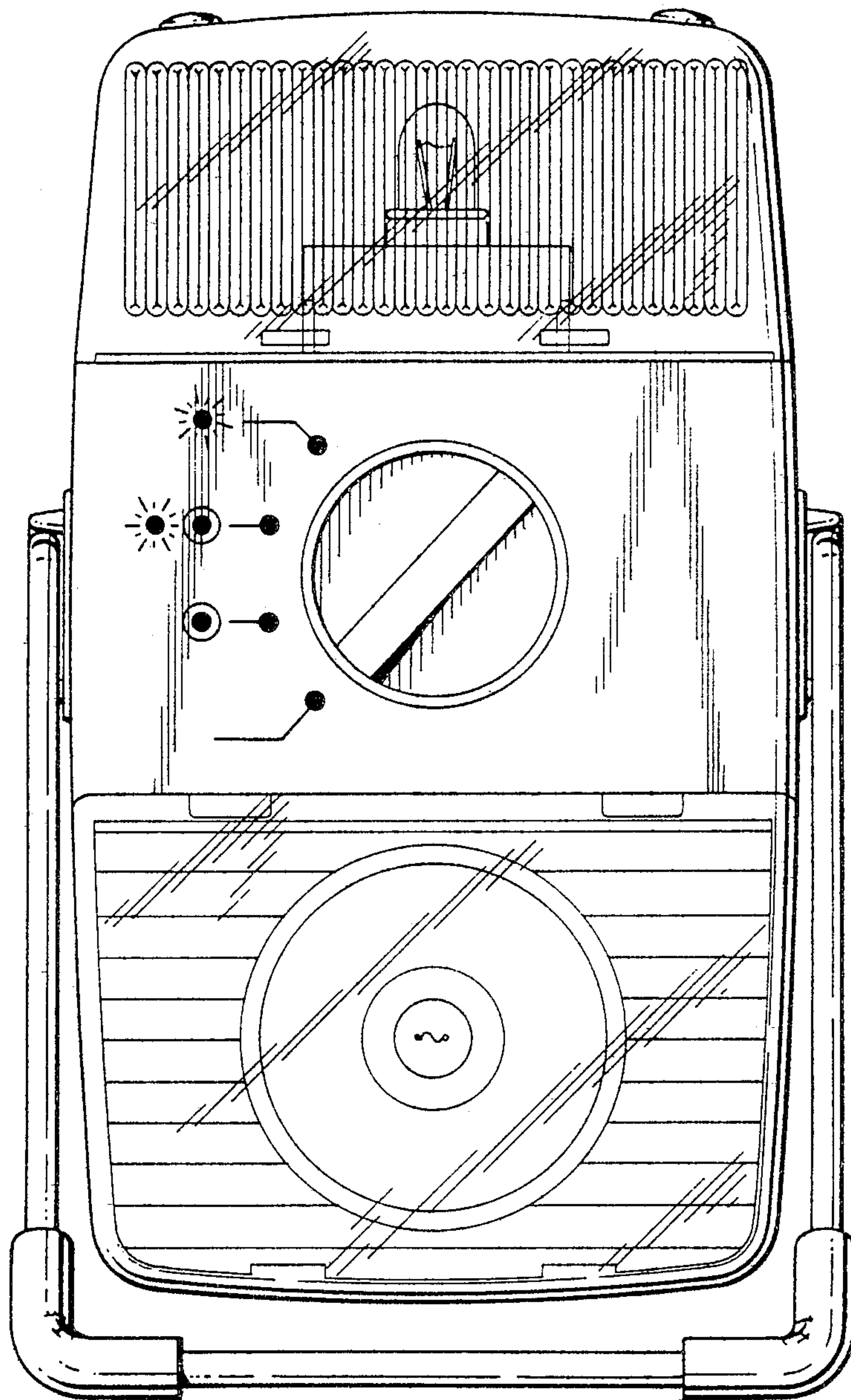


FIG. 1

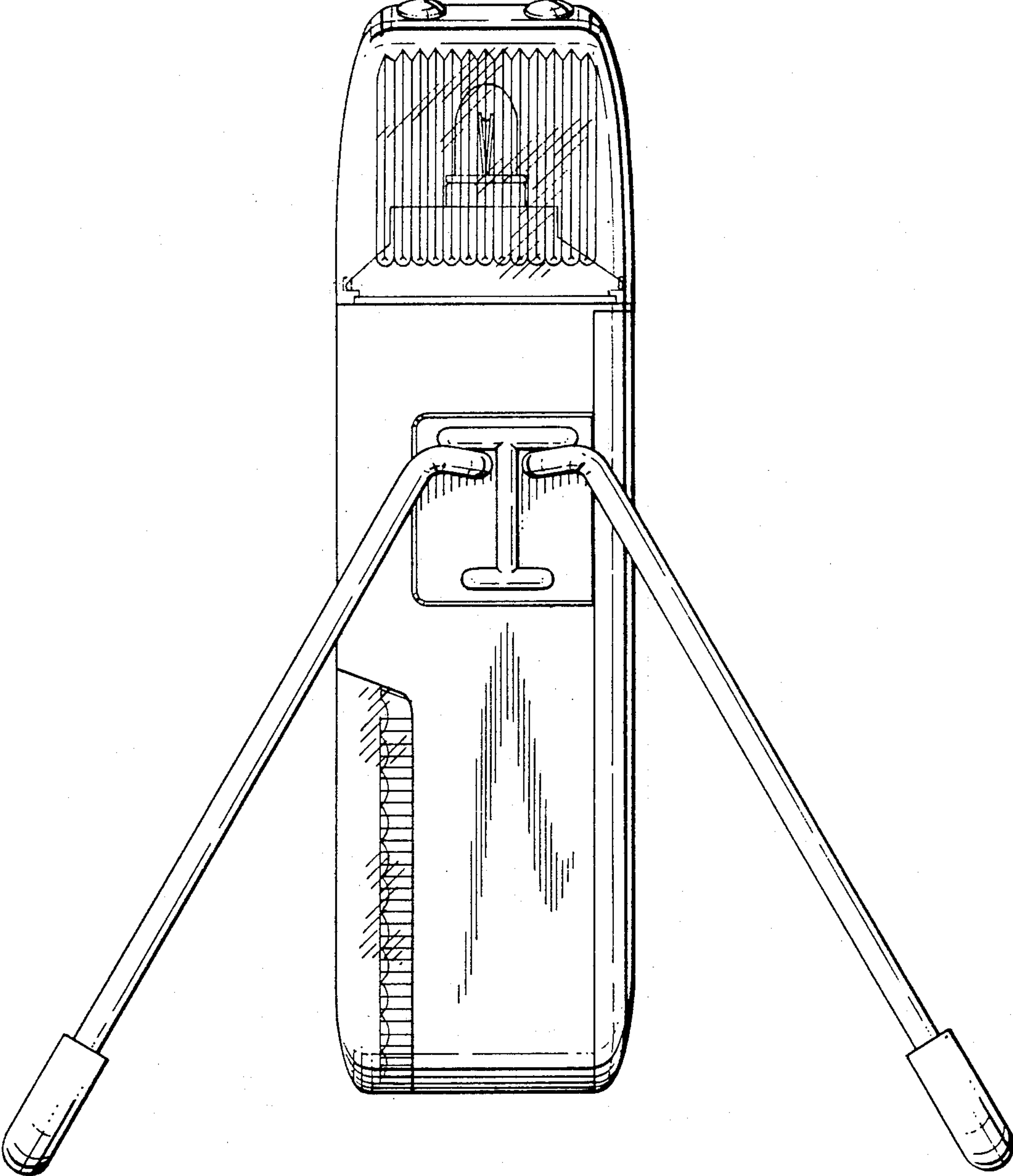


FIG. 2

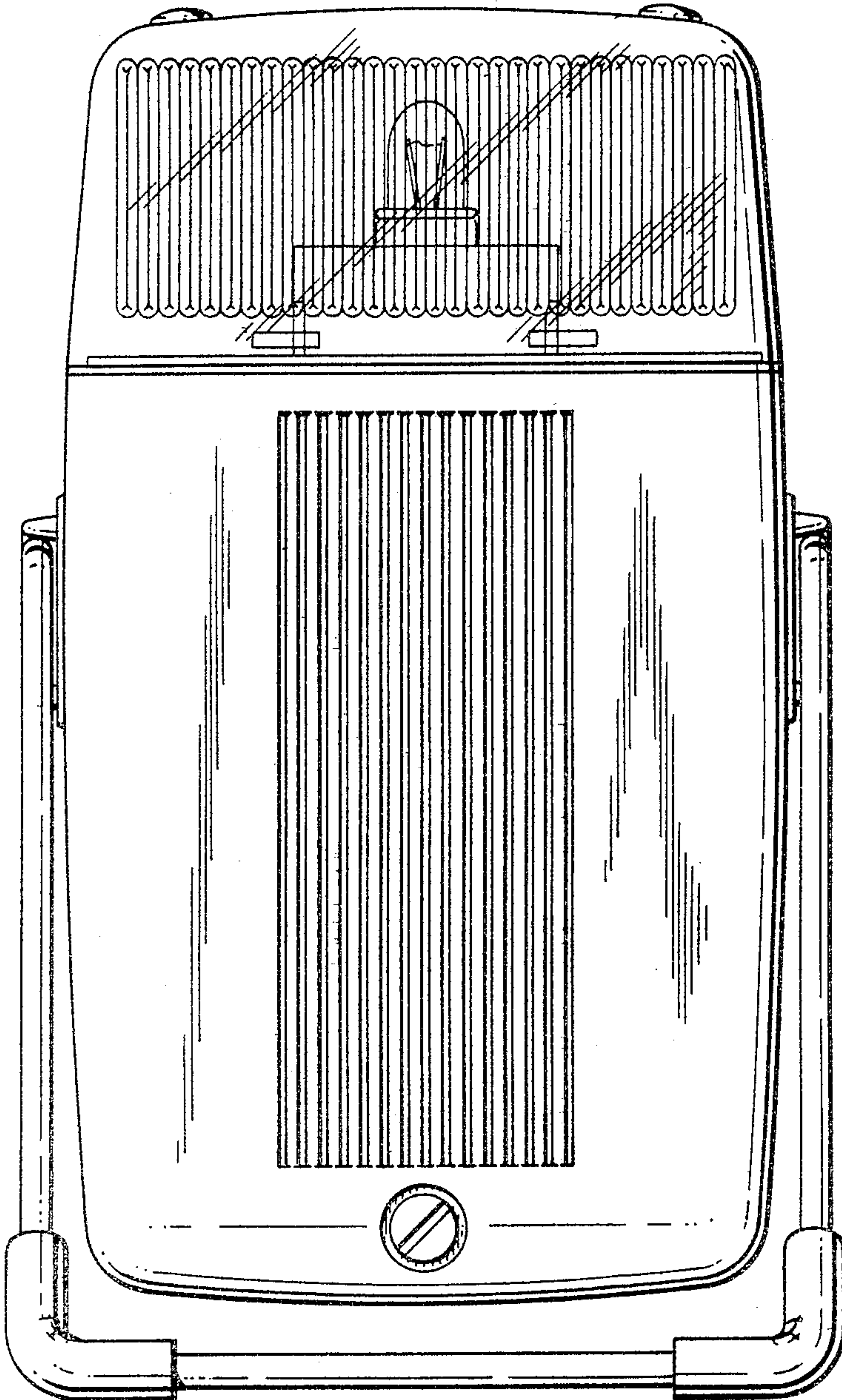


FIG. 3

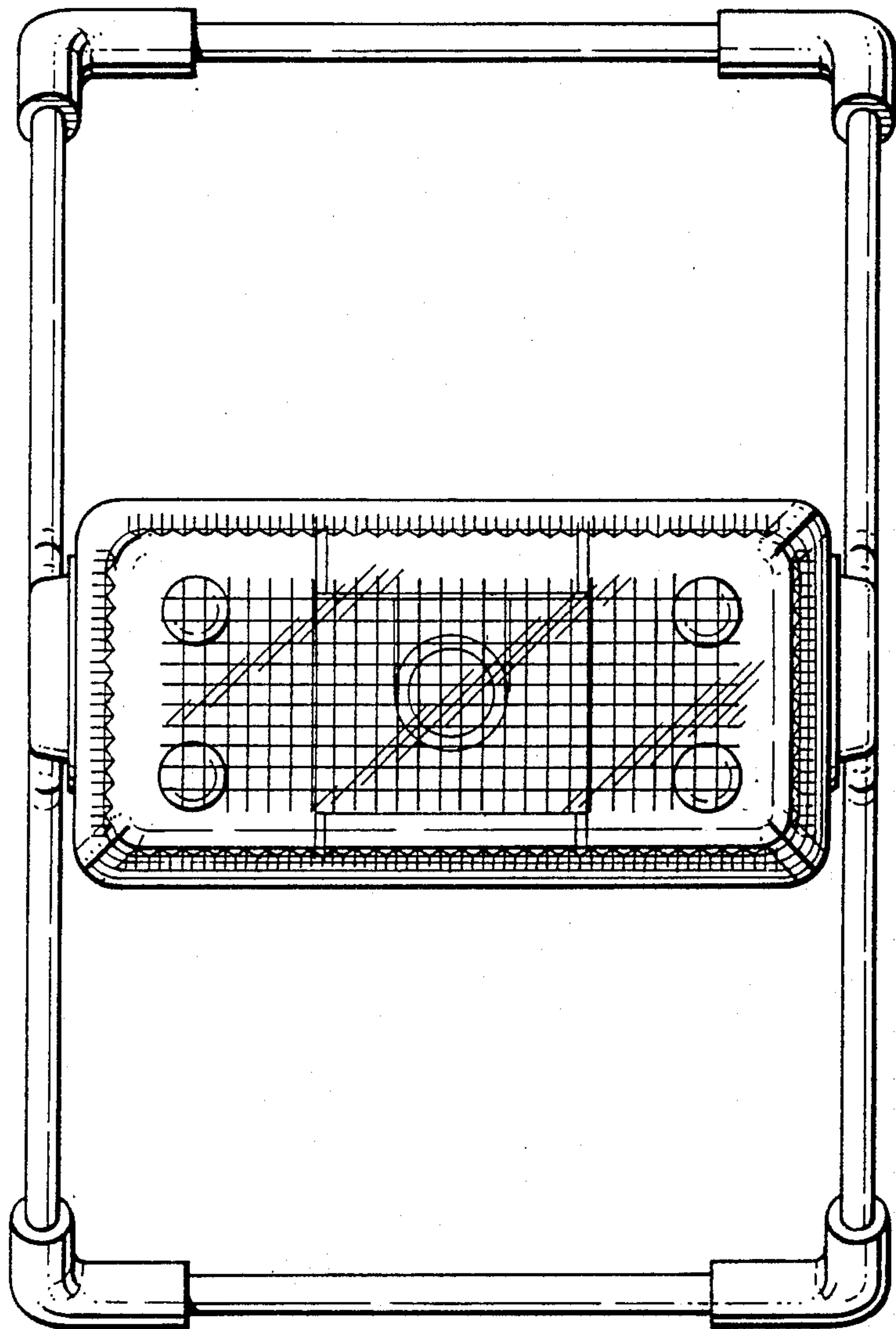


FIG.4

FIG. 5

