

[54] FLUORESCENT LAMP

[75] Inventors: Mitsuyuki Futatsugi, Yokohama; Toshiharu Fujita, Kanagawa; Kiyoshi Iwasawa, Kamakura, all of Japan

[73] Assignee: Mitsubishi Denki Kabushiki Kaisha, Tokyo, Japan

[\*\*] Term: 14 Years

[21] Appl. No.: 645,293

[22] Filed: Aug. 29, 1984

[30] Foreign Application Priority Data

Feb. 29, 1984 [JP] Japan ..... 59-7473

[52] U.S. Cl. .... D26/3

[58] Field of Search ..... D26/1, 2, 3; 313/313, 313/315, 317, 318, 493; 315/52, 53, 56, 57, 58, 59; 362/216

[56] References Cited

U.S. PATENT DOCUMENTS

- D. 113,357 2/1939 Babb ..... D26/3
- D. 113,652 3/1939 Bilofsky ..... D26/3

- D. 248,593 7/1978 Oster ..... D26/3
- 3,501,662 3/1970 Plagge ..... 313/493
- 4,298,822 11/1981 Fukuda ..... 313/318 X
- 4,426,602 1/1984 Mollet et al. .... 315/58

FOREIGN PATENT DOCUMENTS

- 0061758 10/1982 European Pat. Off. .... 313/493

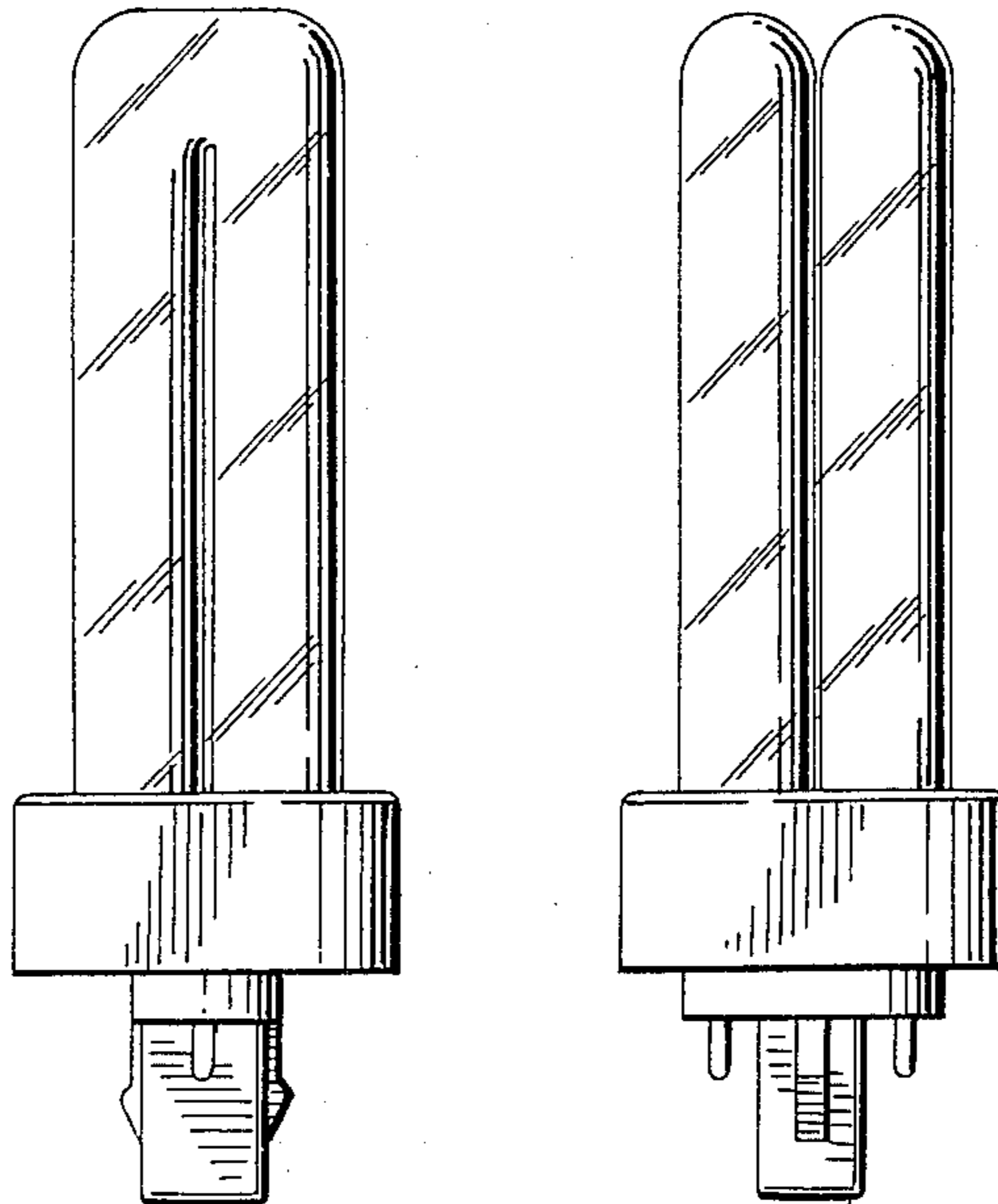
Primary Examiner—Susan J. Lucas  
Attorney, Agent, or Firm—Oblon, Fisher, Spivak, McClelland & Maier

[57] CLAIM

The ornamental design for a fluorescent lamp, substantially as shown and described.

DESCRIPTION

FIG. 1 is a front elevational view of a fluorescent lamp showing our new design;  
FIG. 2 is a left side elevational view thereof;  
FIG. 3 is a top plan view thereof;  
FIG. 4 is a bottom plan view thereof;  
FIG. 5 is a right side elevational view thereof; and  
FIG. 6 is an enlarged cross-sectional view taken along line 6—6 of FIG. 3.



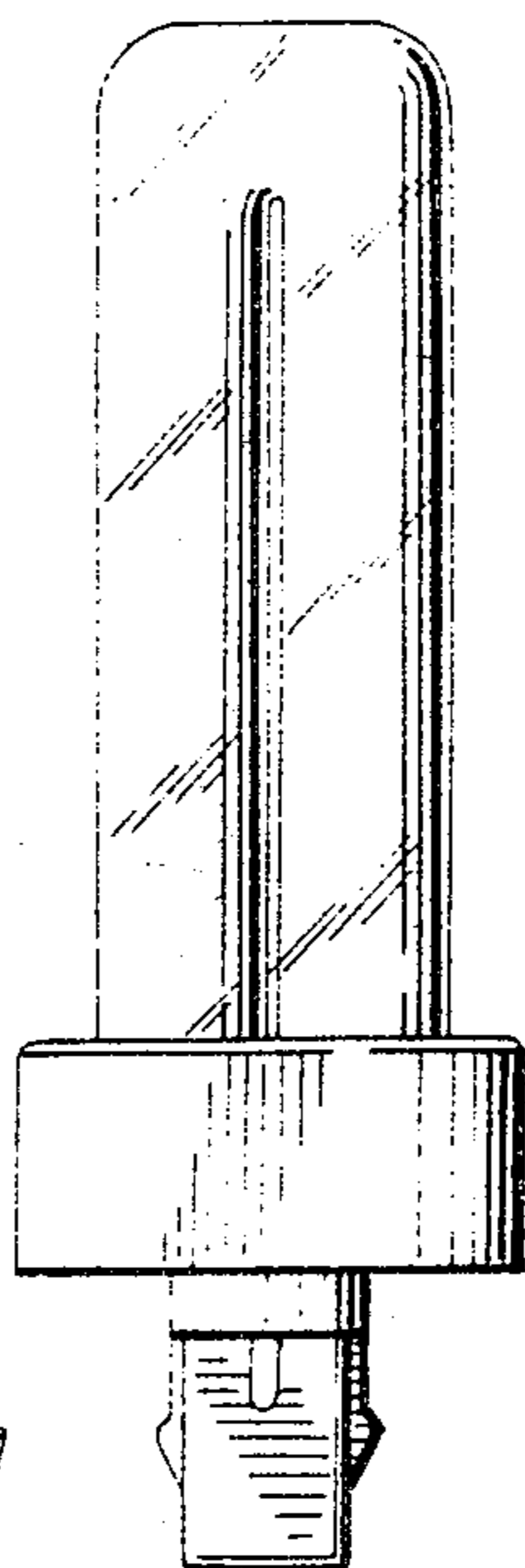


FIG. 1

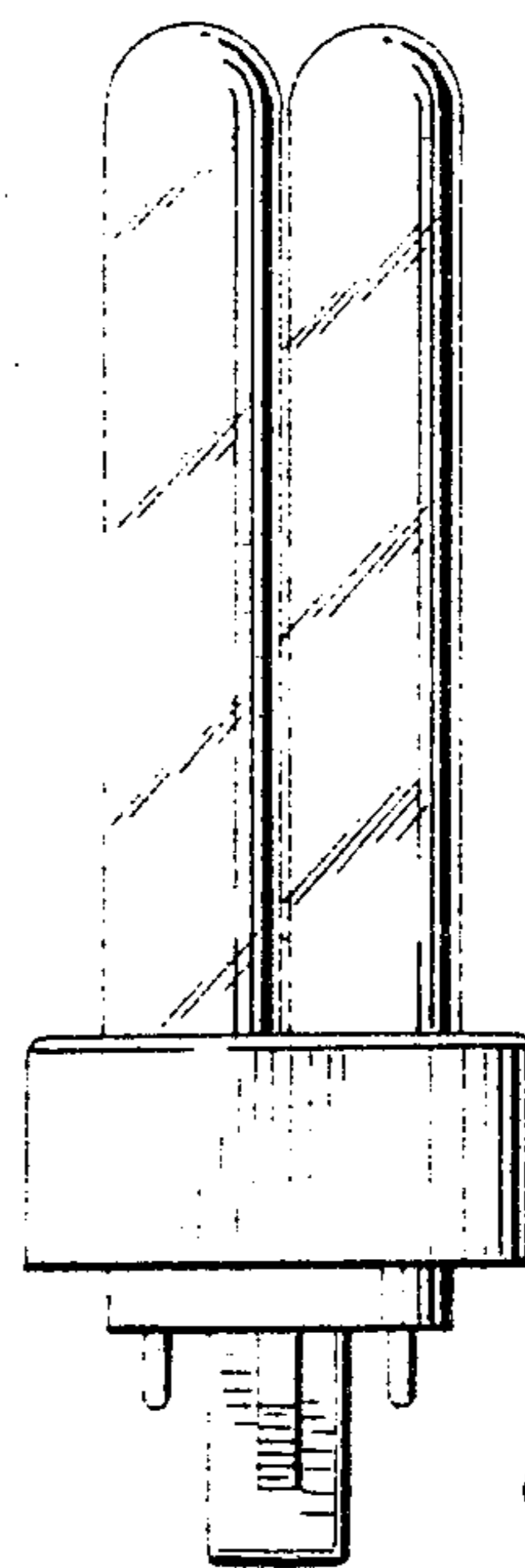


FIG. 2

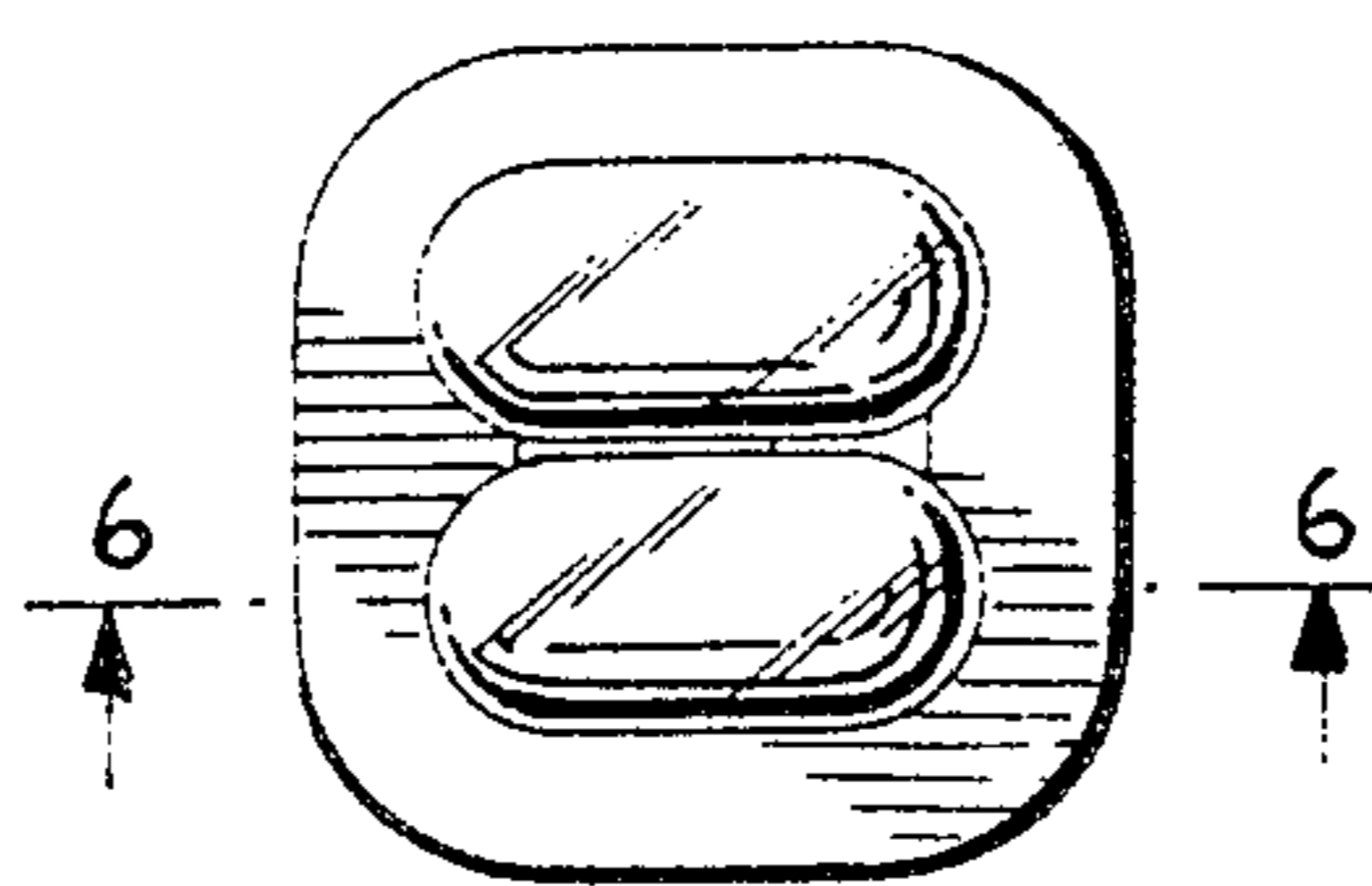


FIG. 3

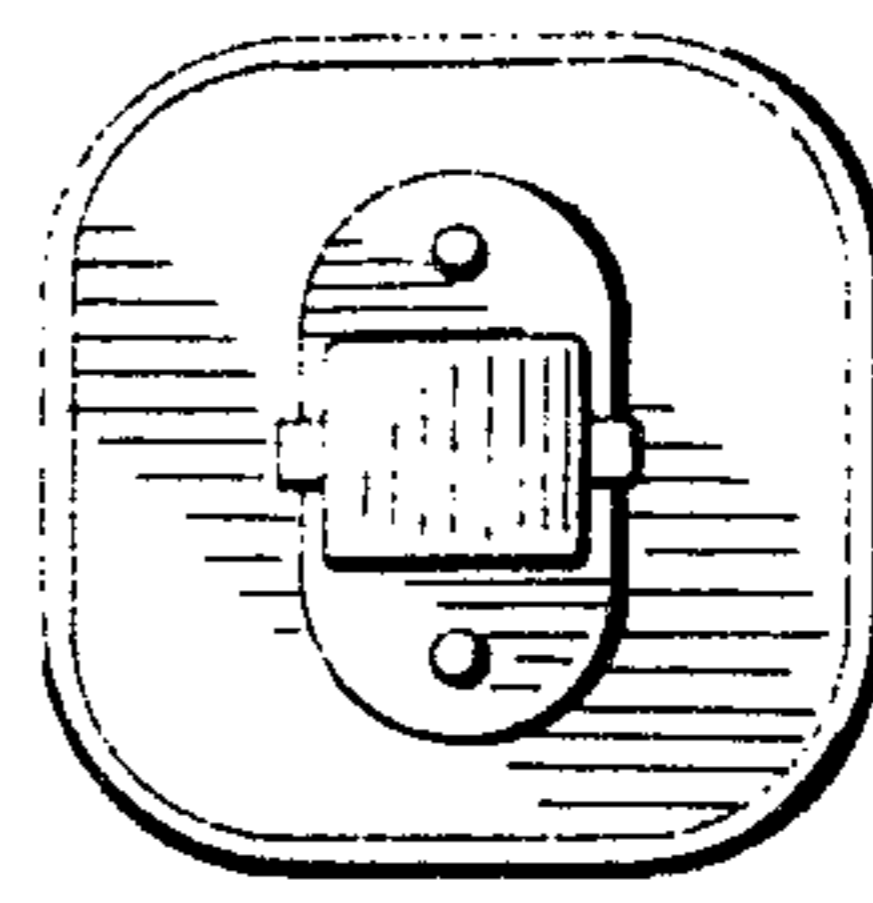
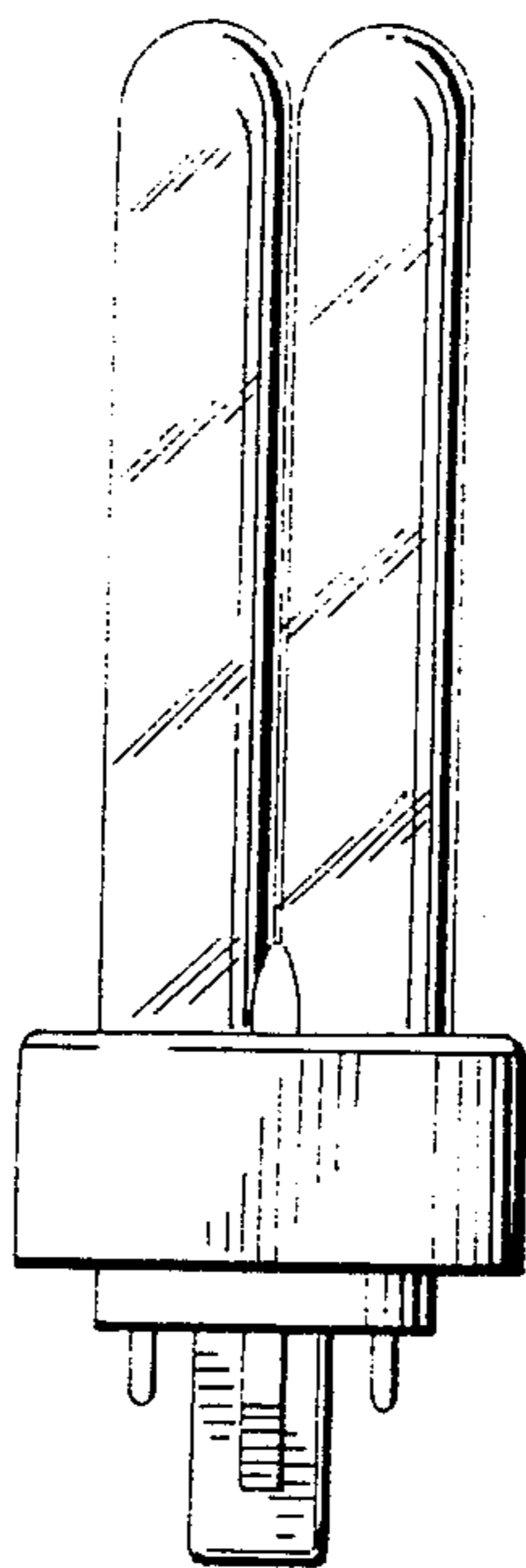
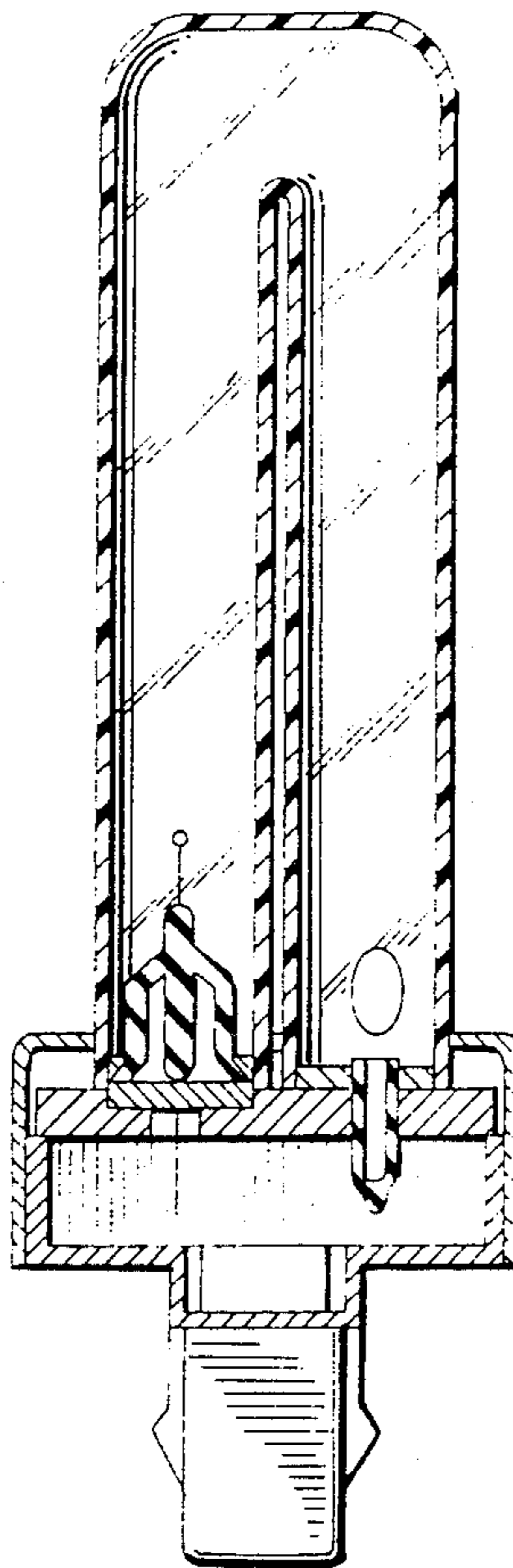


FIG. 4



**FIG. 5**



**FIG. 6**