

[54] COMBINED BODY AND FOOT MASSAGER

[76] Inventor: William E. Lancellotti, 371
Broadway, Providence, R.I. 02903

[**] Term: 14 Years

[21] Appl. No.: 571,353

[22] Filed: Jan. 16, 1984

[52] U.S. Cl. D24/36

[58] Field of Search D24/36, 41, 42; 128/57,
128/25 B, 25 R, 60, 24.3

[56] References Cited

U.S. PATENT DOCUMENTS

D. 226,875 5/1973 Haworth, Jr. et al. D24/36

FOREIGN PATENT DOCUMENTS

769422 8/1934 France 128/57
2135202 8/1984 United Kingdom 128/57

OTHER PUBLICATIONS

The Washington Post, Oct. 18, 1983, p. D2, Foot Mas-
sager.

Primary Examiner—A. Hugo Word

Assistant Examiner—Stella M. Reid
Attorney, Agent, or Firm—Salter & Michaelson

[57] CLAIM

The ornamental design for a combined body and foot
massager, substantially as shown and described.

DESCRIPTION

FIG. 1 is a perspective view of a combined body and
foot massager as shown in FIG. 6, with the handle
removed;

FIG. 2 is an end elevational view thereof;

FIG. 3 is a top plan view thereof;

FIG. 4 is a bottom plan view thereof;

FIG. 5 is a side elevational view thereof;

FIG. 6 is a perspective view thereof, showing my new
design;

FIG. 7 is a perspective view of a modified form of the
combined body and foot massager with the handle in
exploded position;

FIG. 8 is a side elevational view thereof, with handle
removed;

FIG. 9 is a top plan view thereof;

FIG. 10 is a bottom plan view thereof;

FIG. 11 is a right-end elevational view thereof;

FIG. 12 is a left-end elevational view thereof.

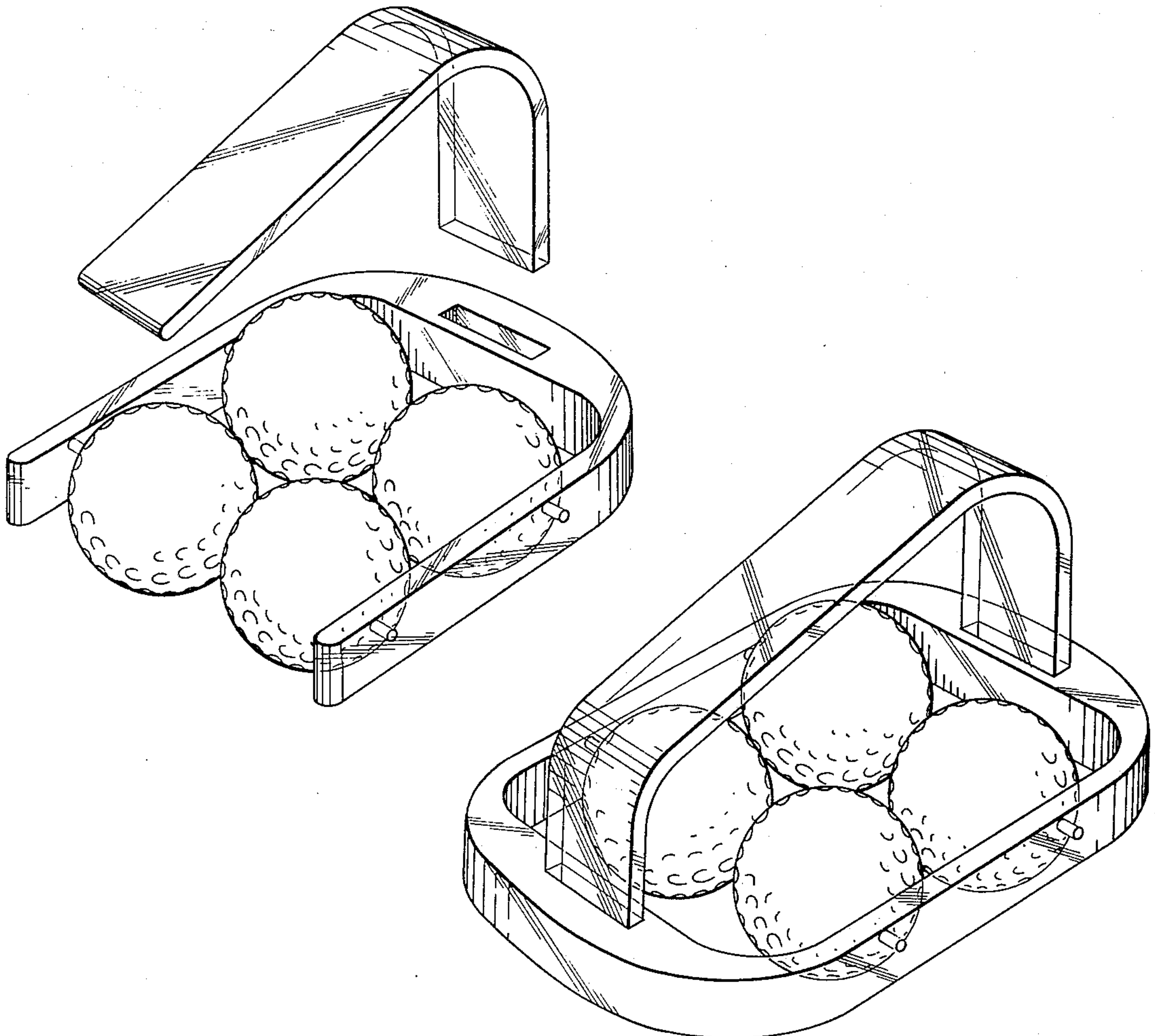


FIG. 1

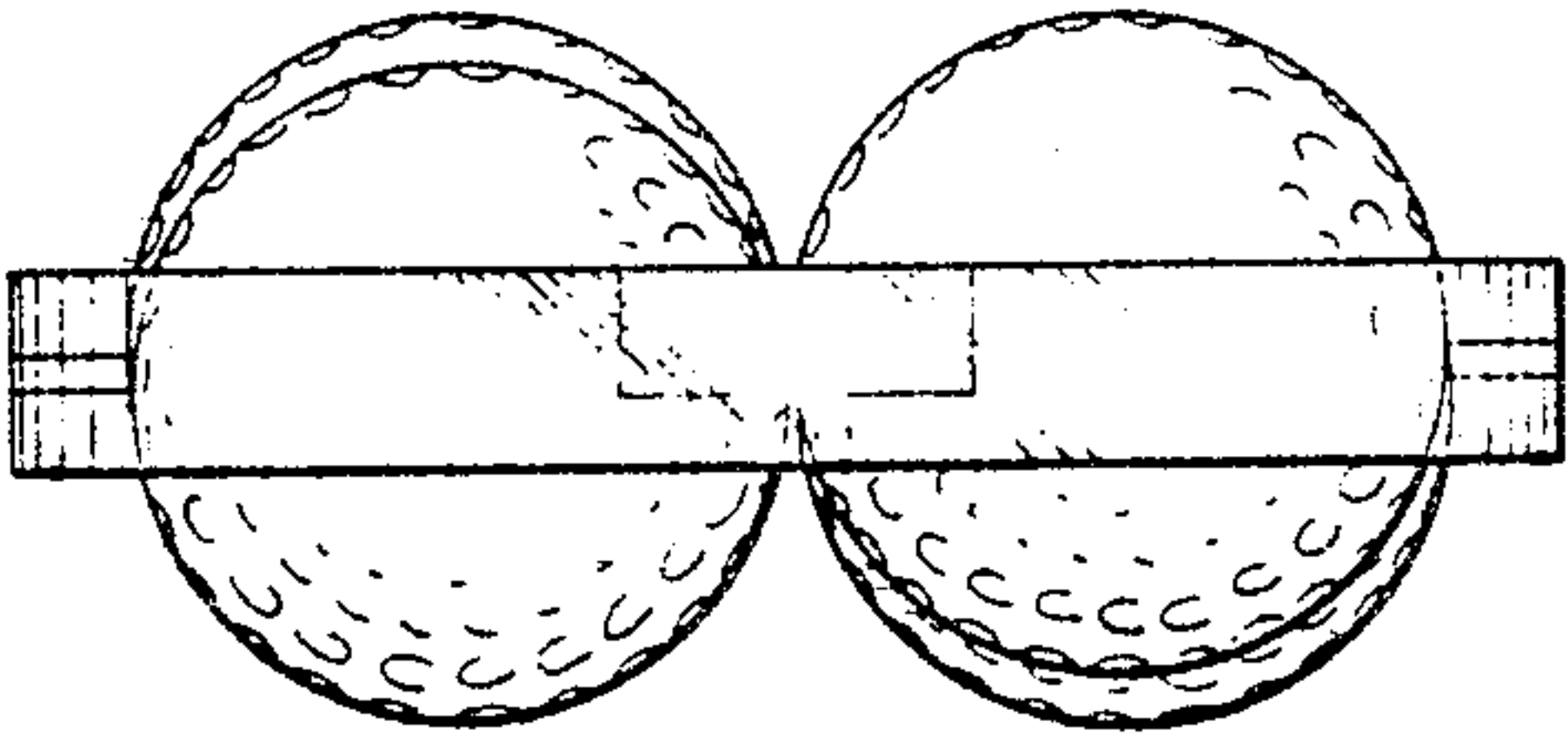
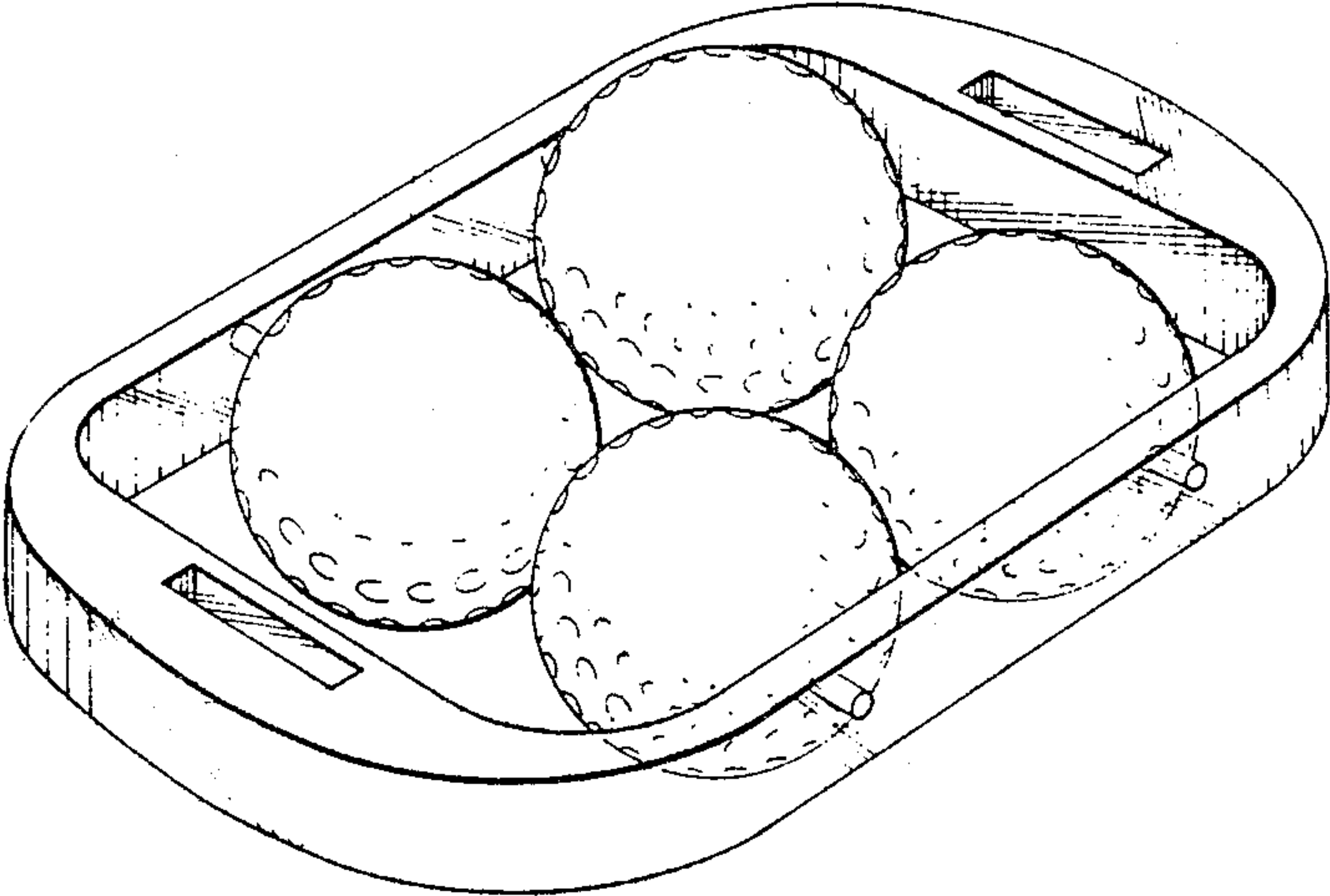


FIG. 2

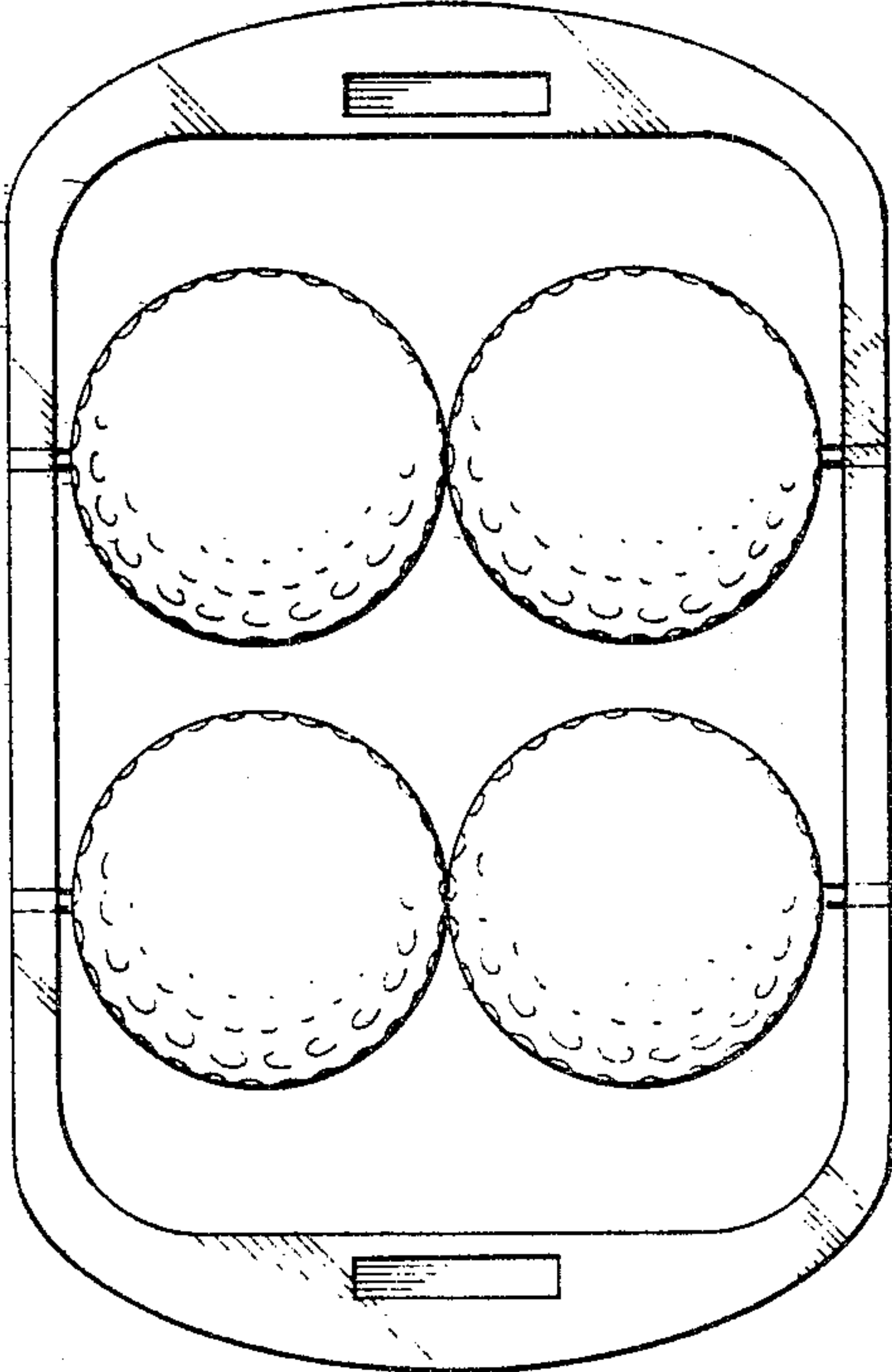


FIG. 3

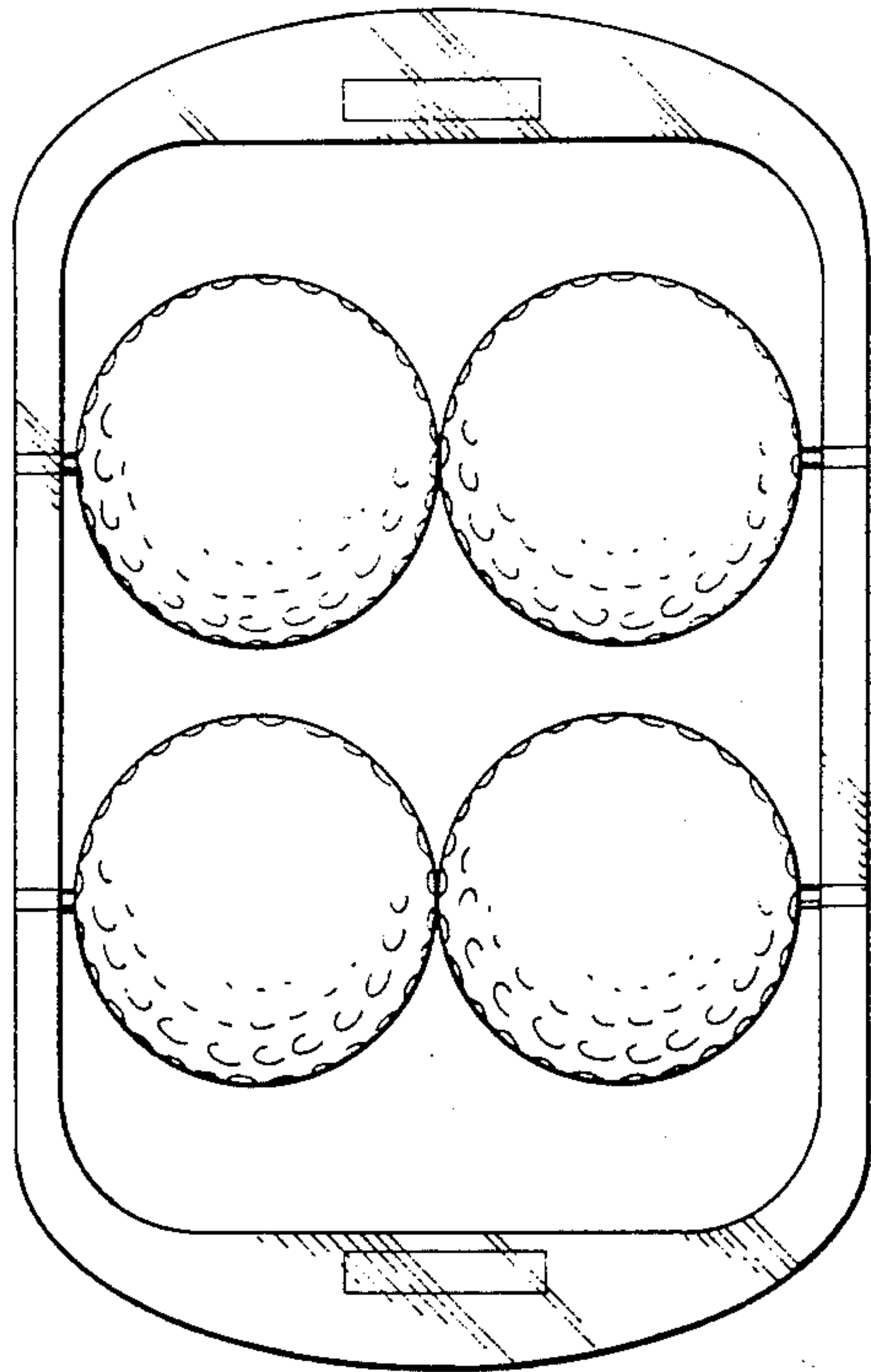


FIG. 4

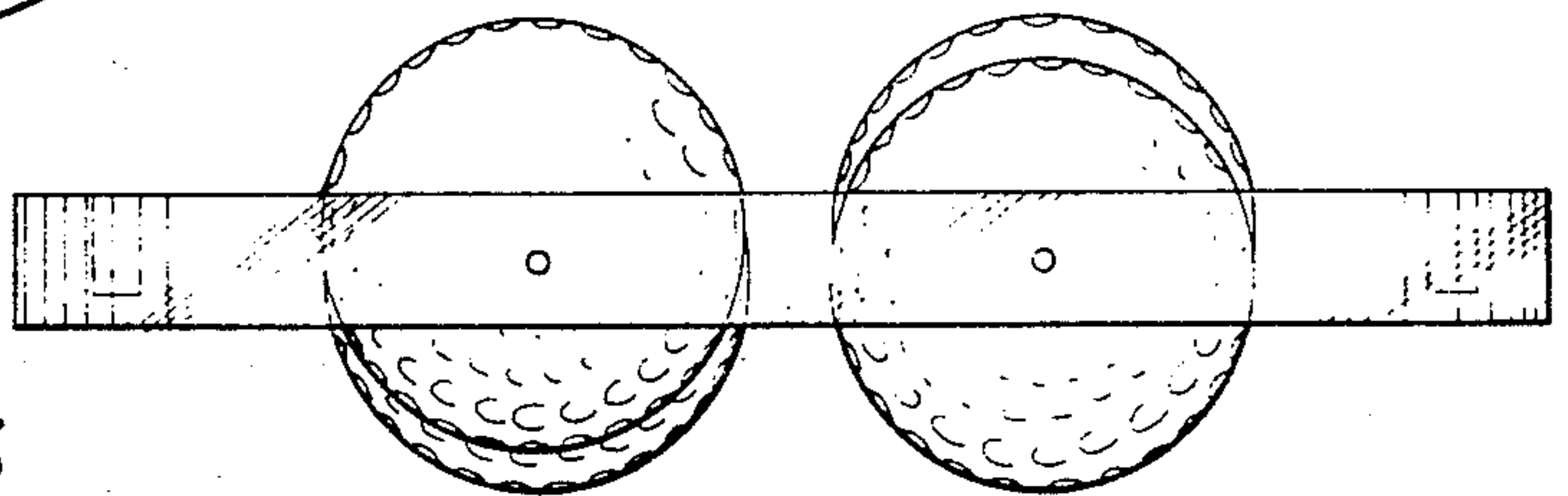


FIG. 5

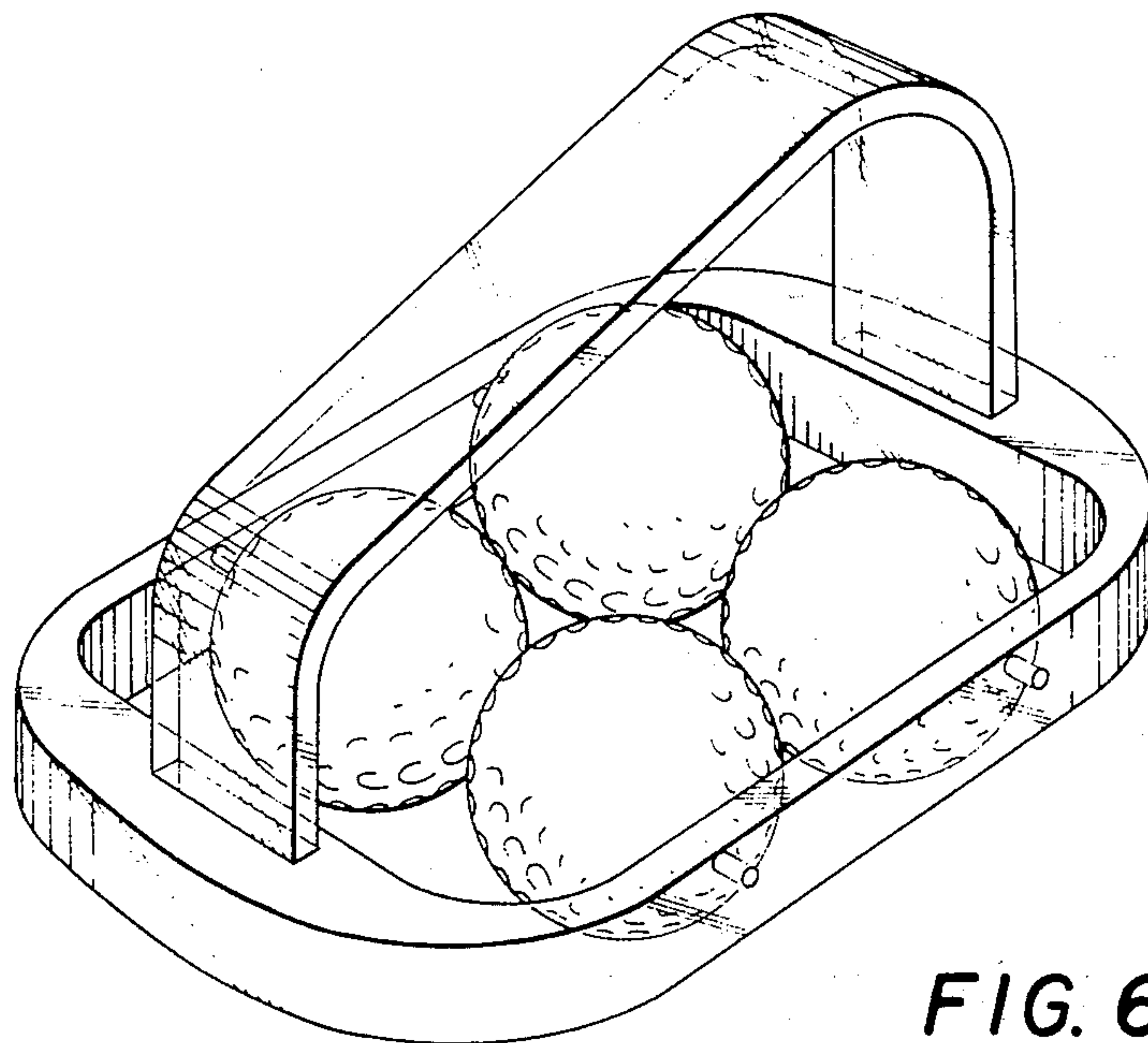


FIG. 6

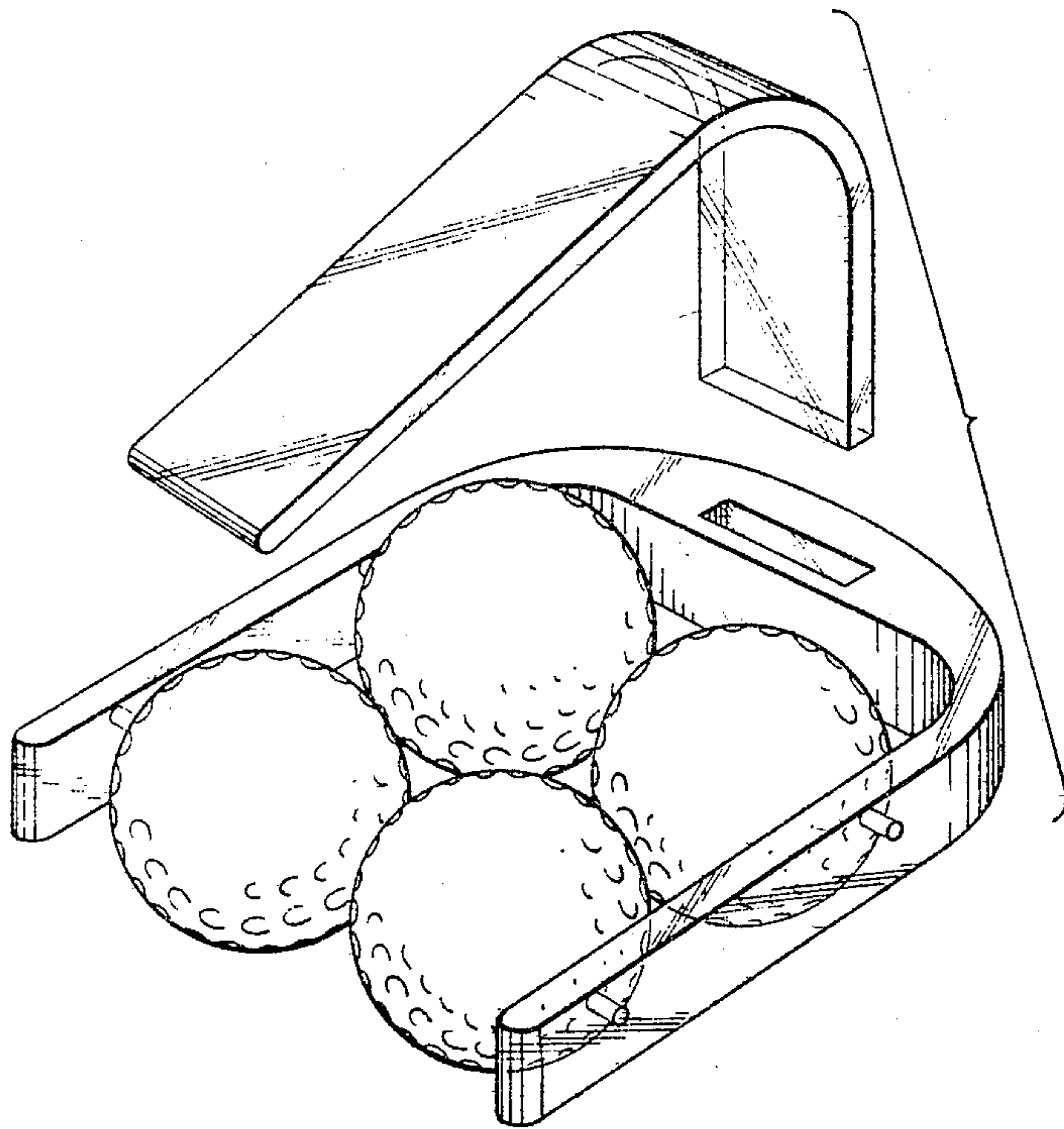


FIG. 7

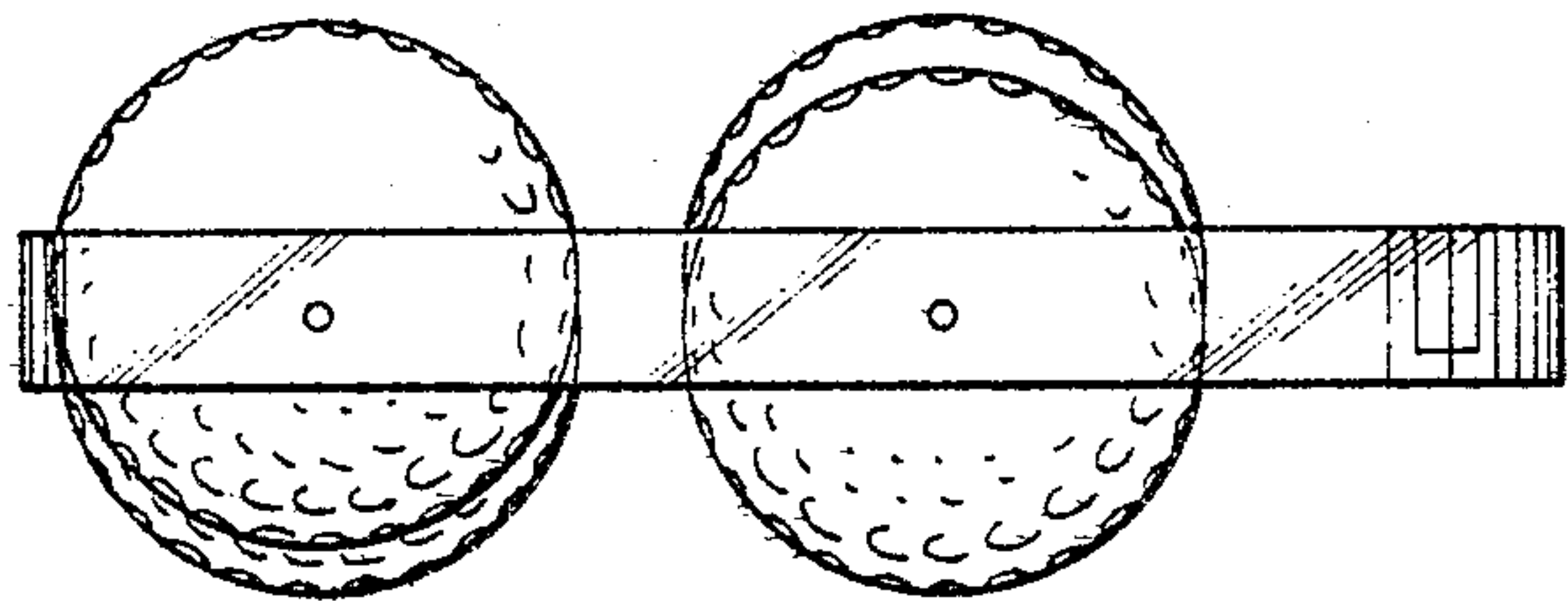


FIG. 8

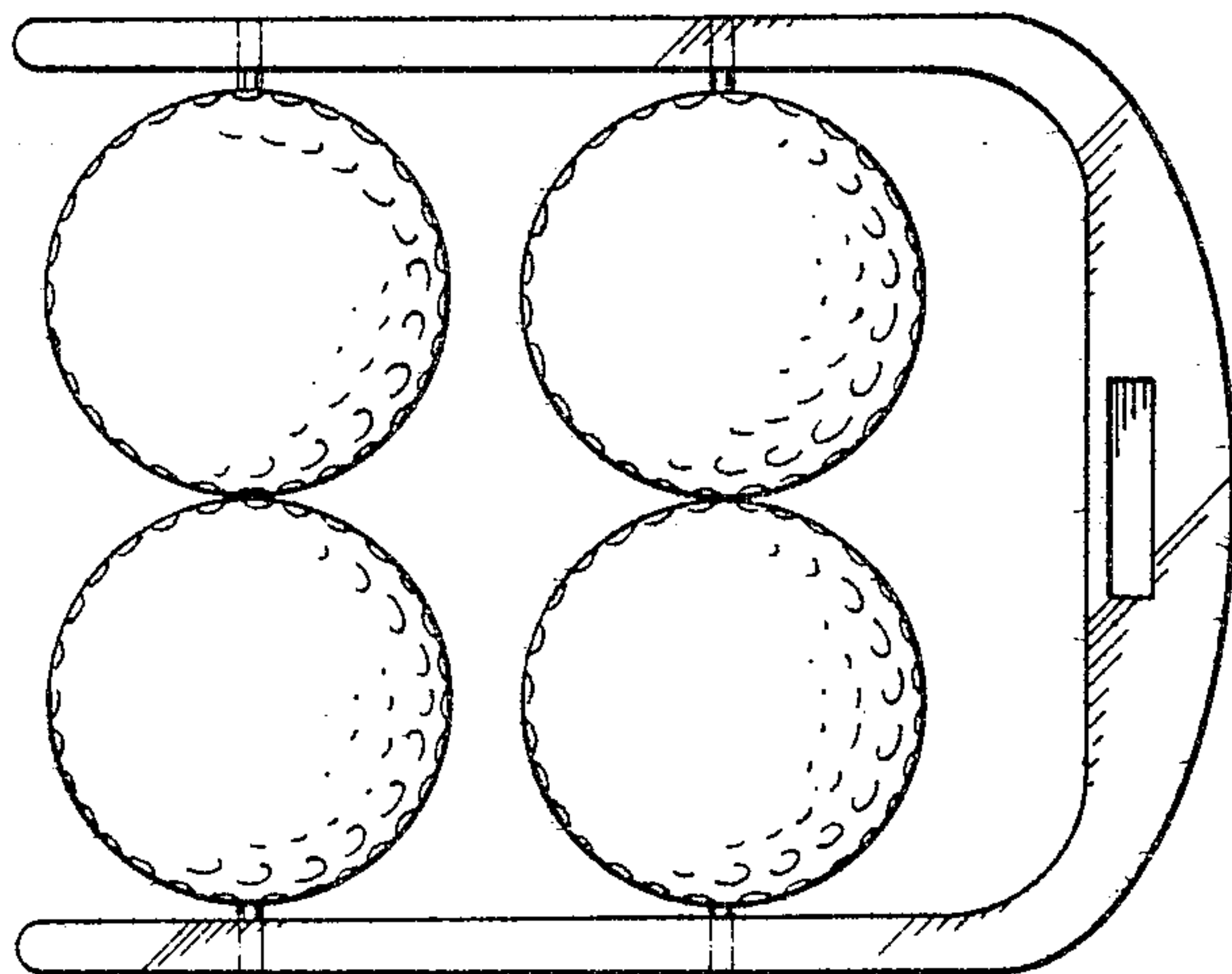


FIG. 9

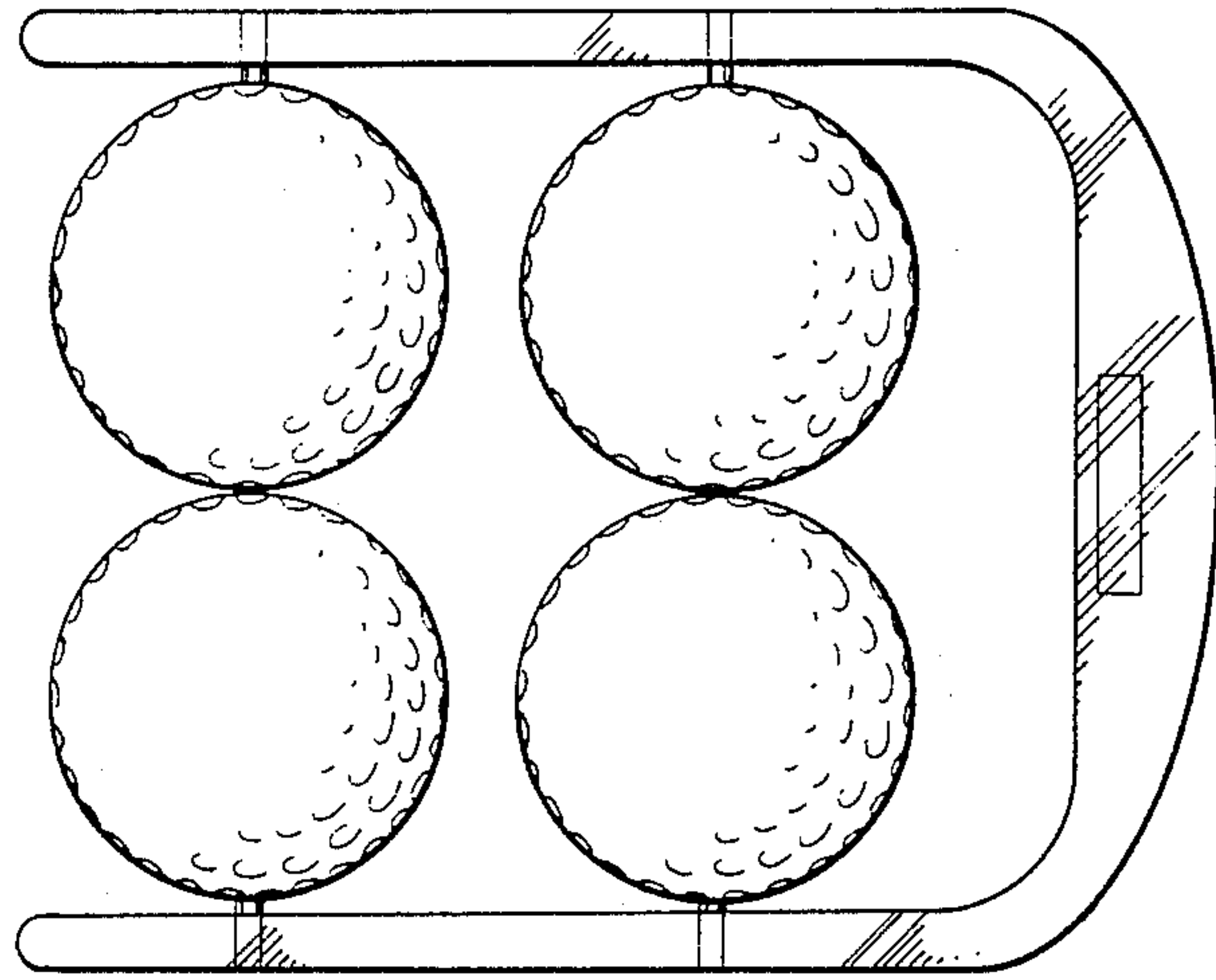


FIG. 10

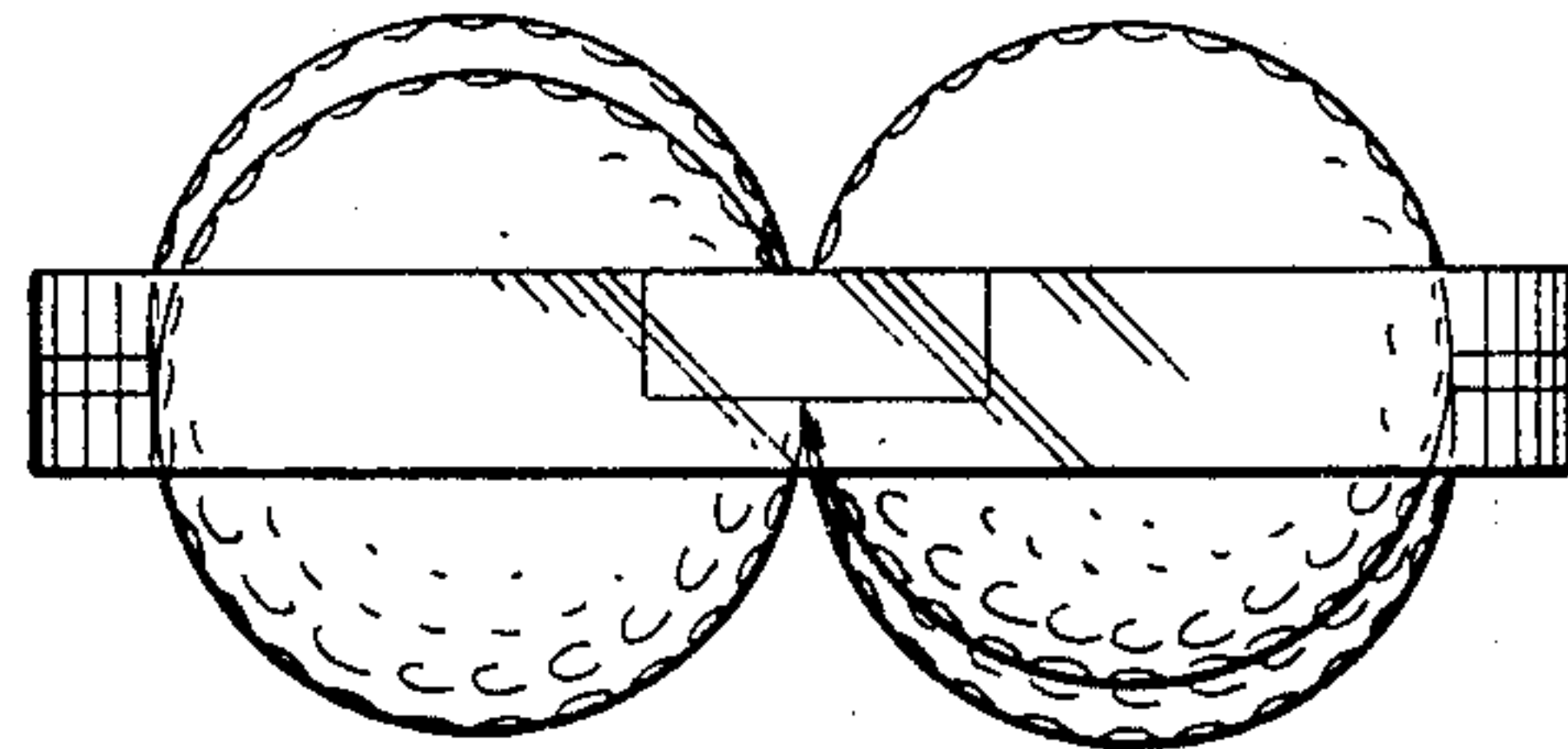


FIG. 11

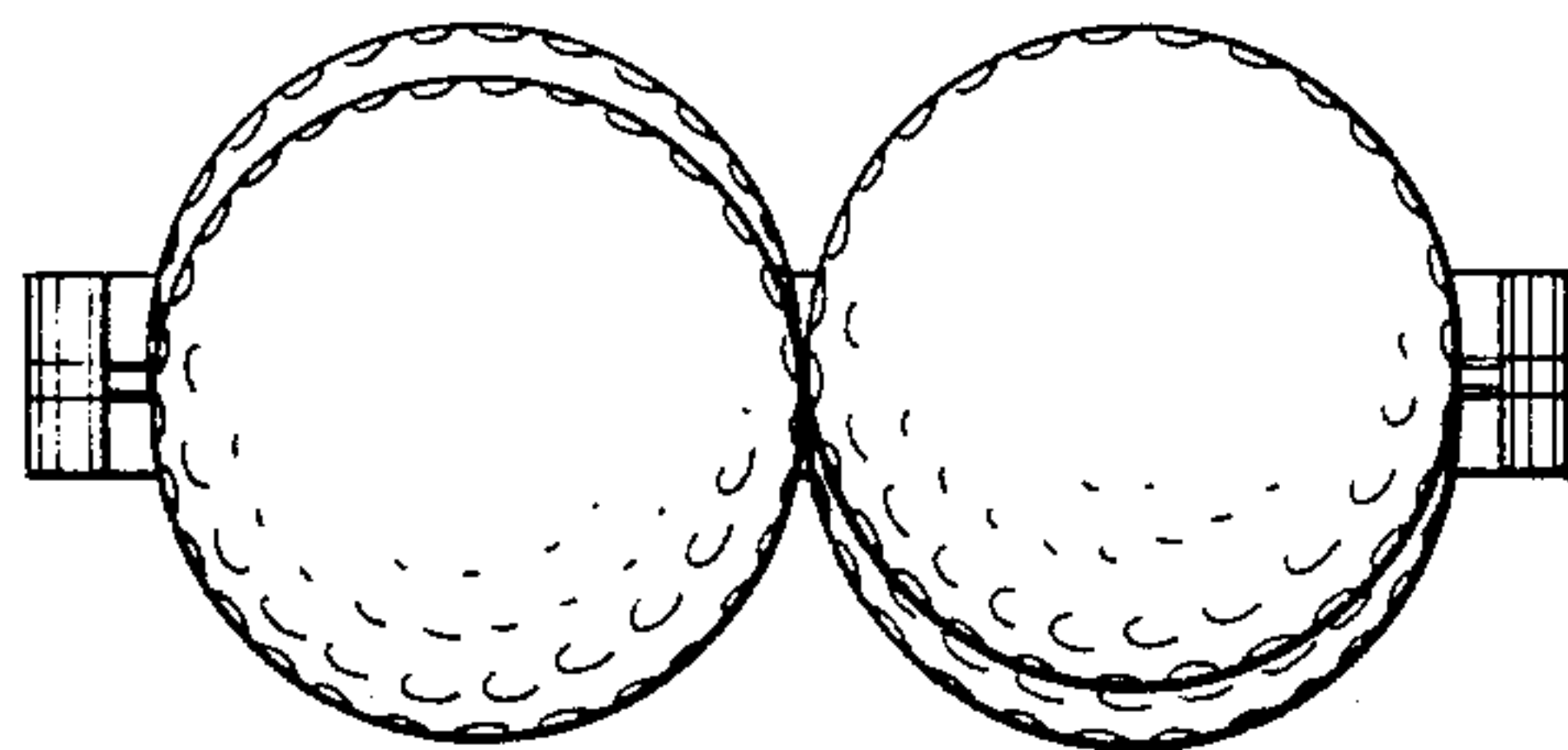


FIG. 12