

[54] HUMIDIFIER

[75] Inventor: Tsutomu Uchida, Sanjyo, Japan

[73] Assignee: Uchida Manufacturing Co. Ltd., Sanjyo, Japan

[**] Term: 14 Years

[21] Appl. No.: 674,746

[22] Filed: Nov. 26, 1984

[52] U.S. Cl. D23/146

[58] Field of Search D23/146-148; 219/271-276, 360, 362; 98/30; 261/24, 29, 95, 99, DIG. 5, 17, 42, 48, 65; 239/34, 136; 312/31, 31.01-31.03

[56] References Cited

U.S. PATENT DOCUMENTS

- D. 211,945 8/1968 Stoop et al. D23/146
- D. 211,946 8/1968 Flury D23/146

OTHER PUBLICATIONS

Housewares, Aug. 7, 1983—Douglas Sonic Mist Humidifier, p. 23.

Primary Examiner—Wallace R. Burke
Assistant Examiner—Brian N. Vinson
Attorney, Agent, or Firm—Cushman, Darby & Cushman

[57] CLAIM

The ornamental design for a humidifier, substantially as shown and described.

DESCRIPTION

FIG. 1 is a top and front perspective view of a humidifier showing my new design;
FIG. 2 is a front elevational view thereof;
FIG. 3 is a rear elevational view thereof;
FIG. 4 is a left side elevational view thereof;
FIG. 5 is a right side elevational view thereof;
FIG. 6 is a top plan view thereof; and
FIG. 7 is a bottom plan view thereof.

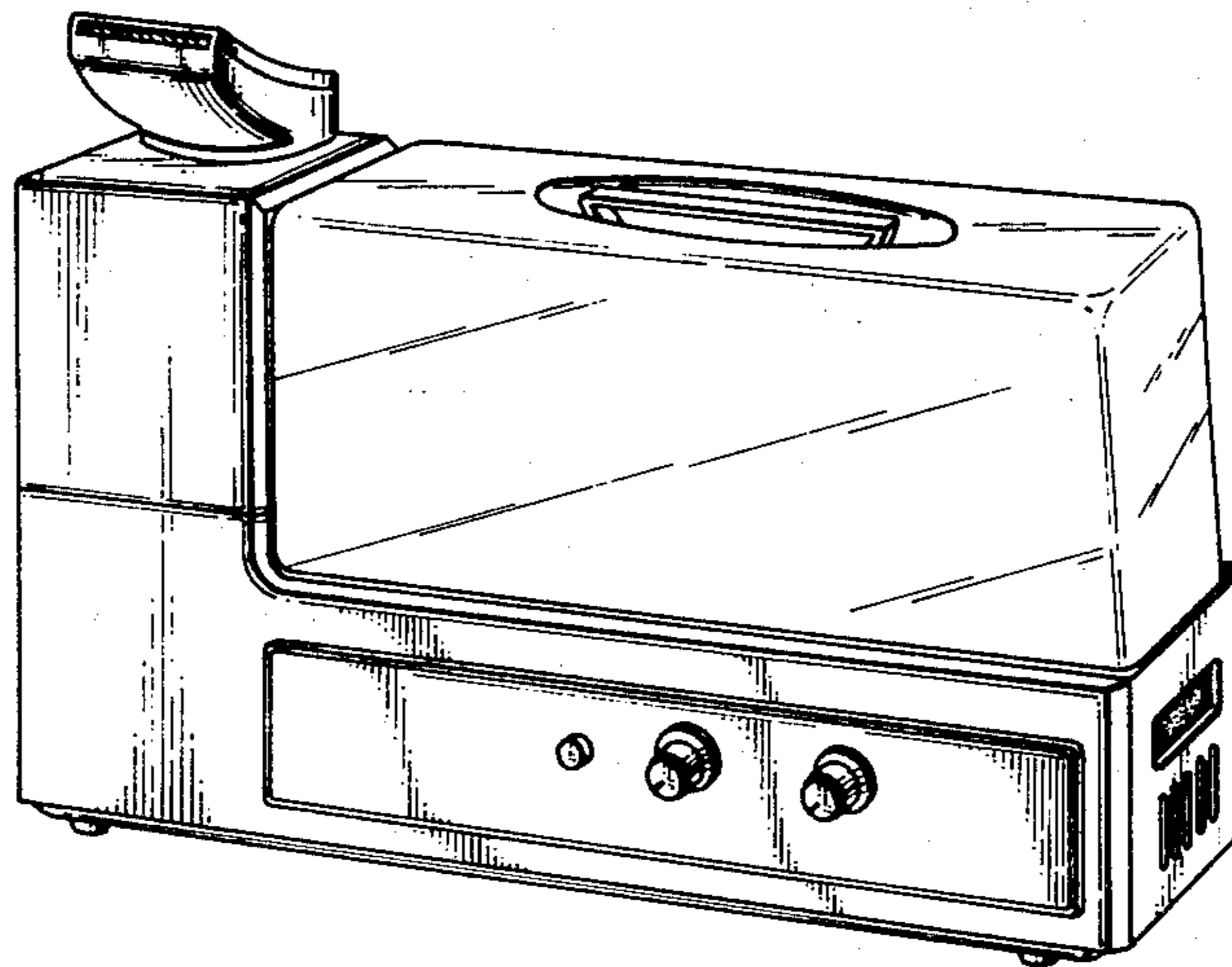


FIG. 1

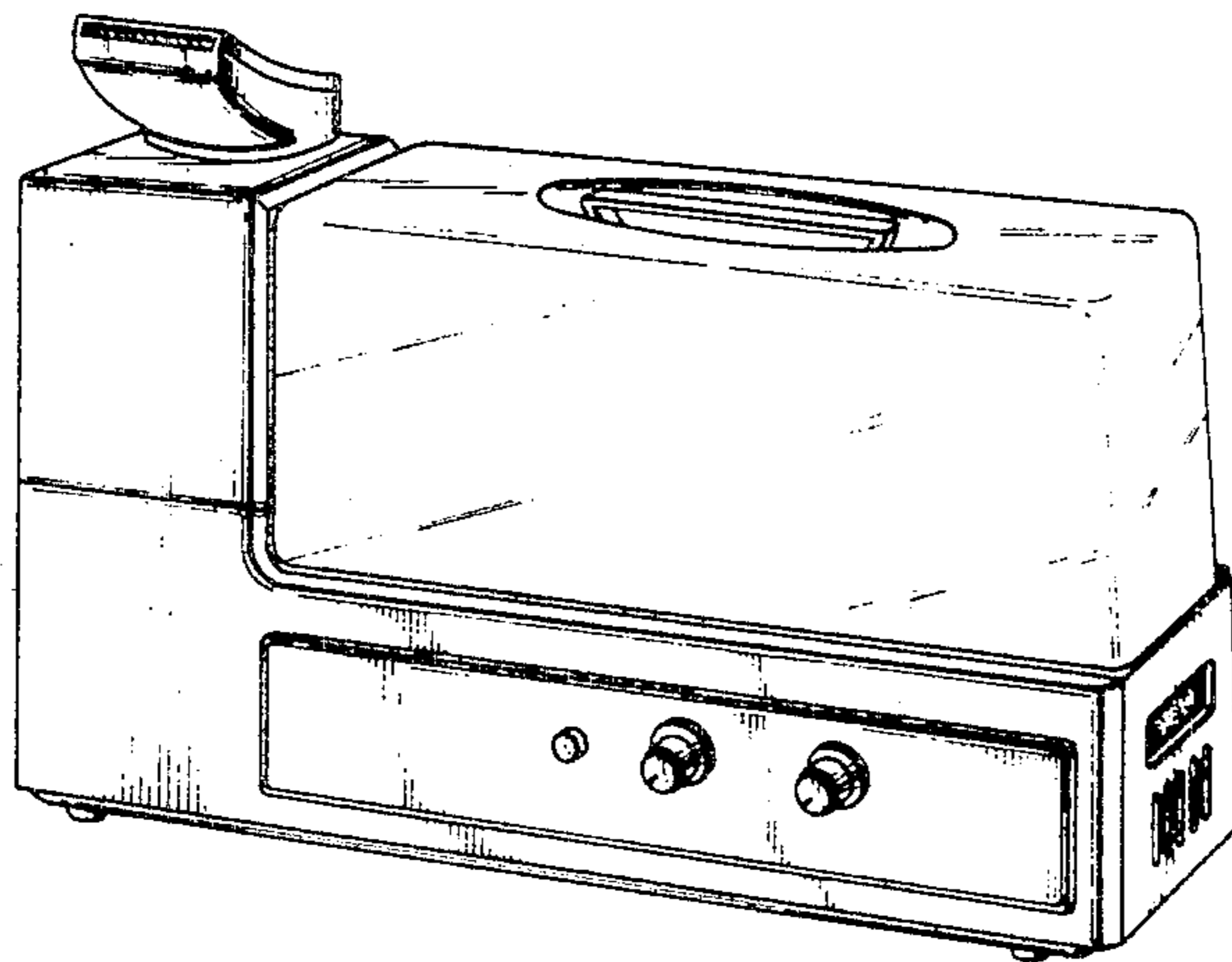


FIG. 2

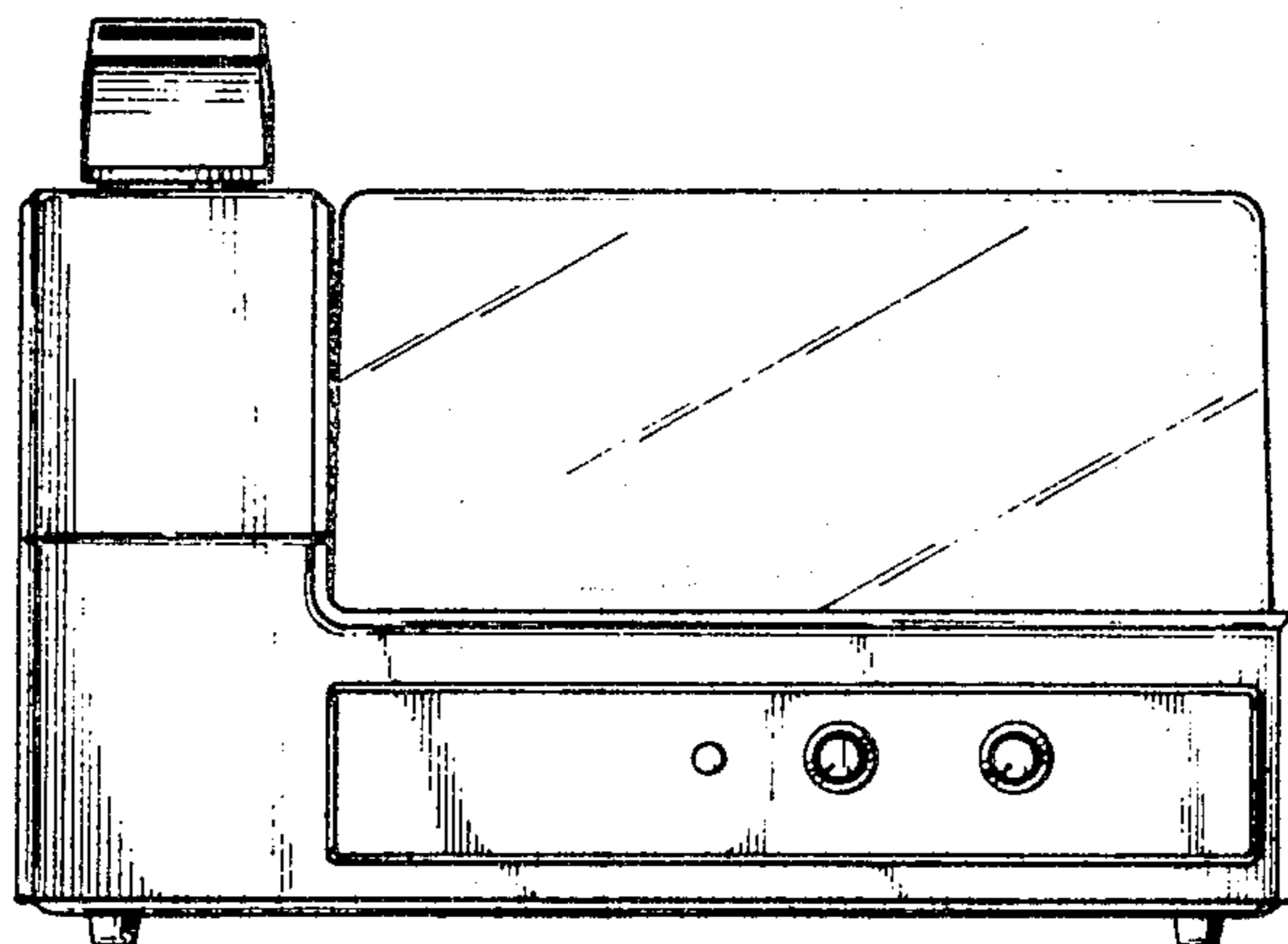


FIG.3

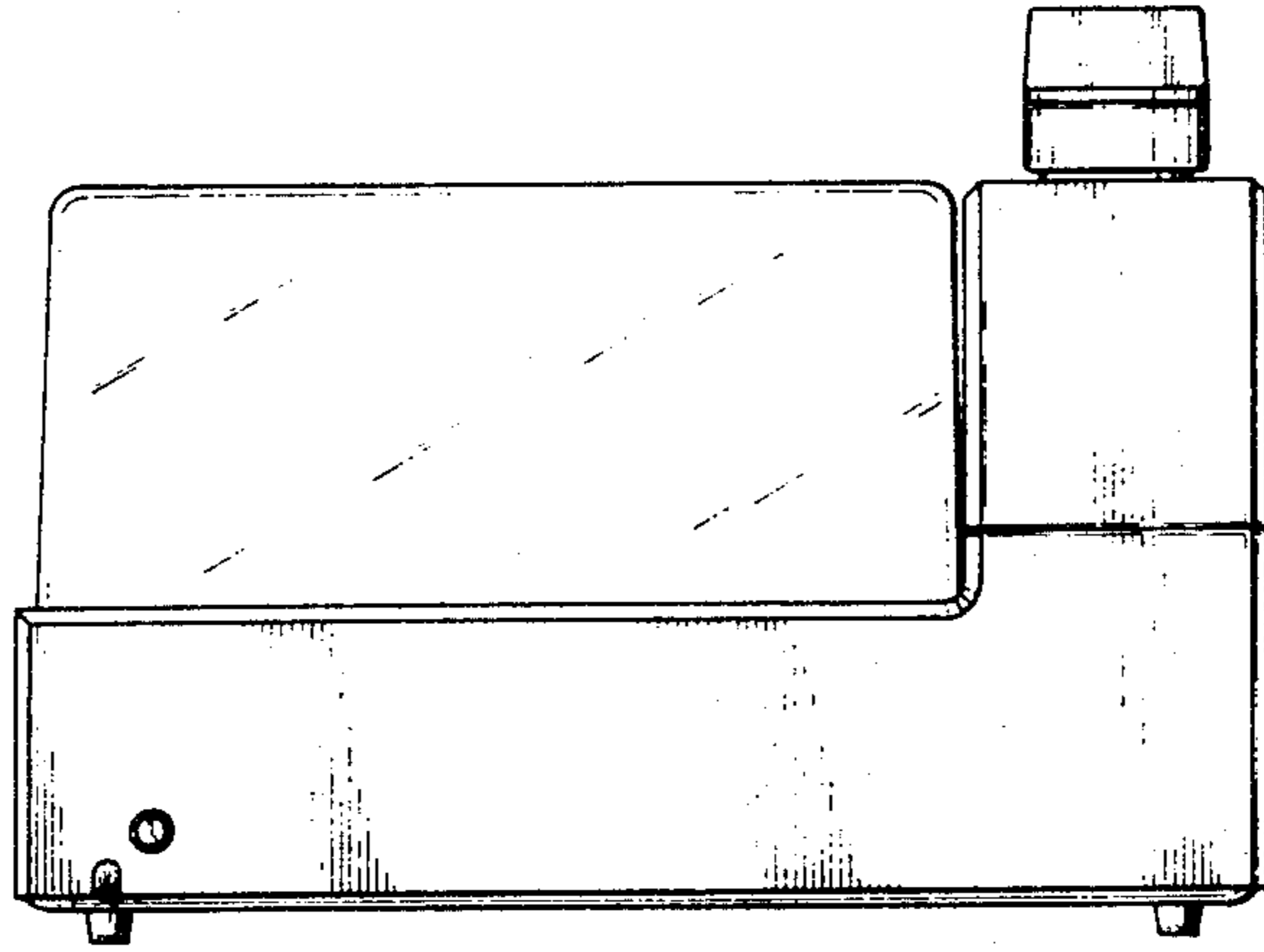


FIG.4

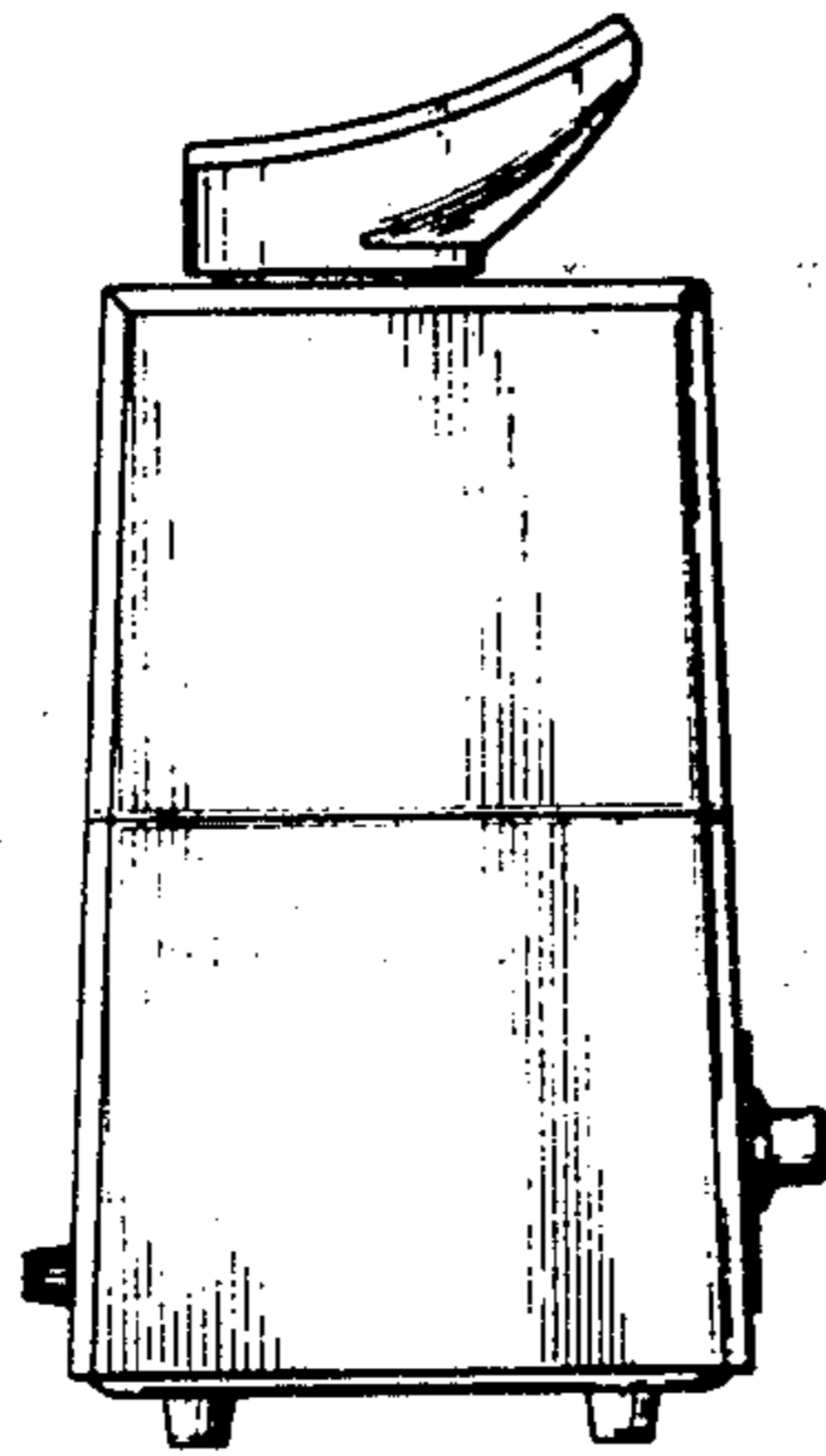


FIG.5

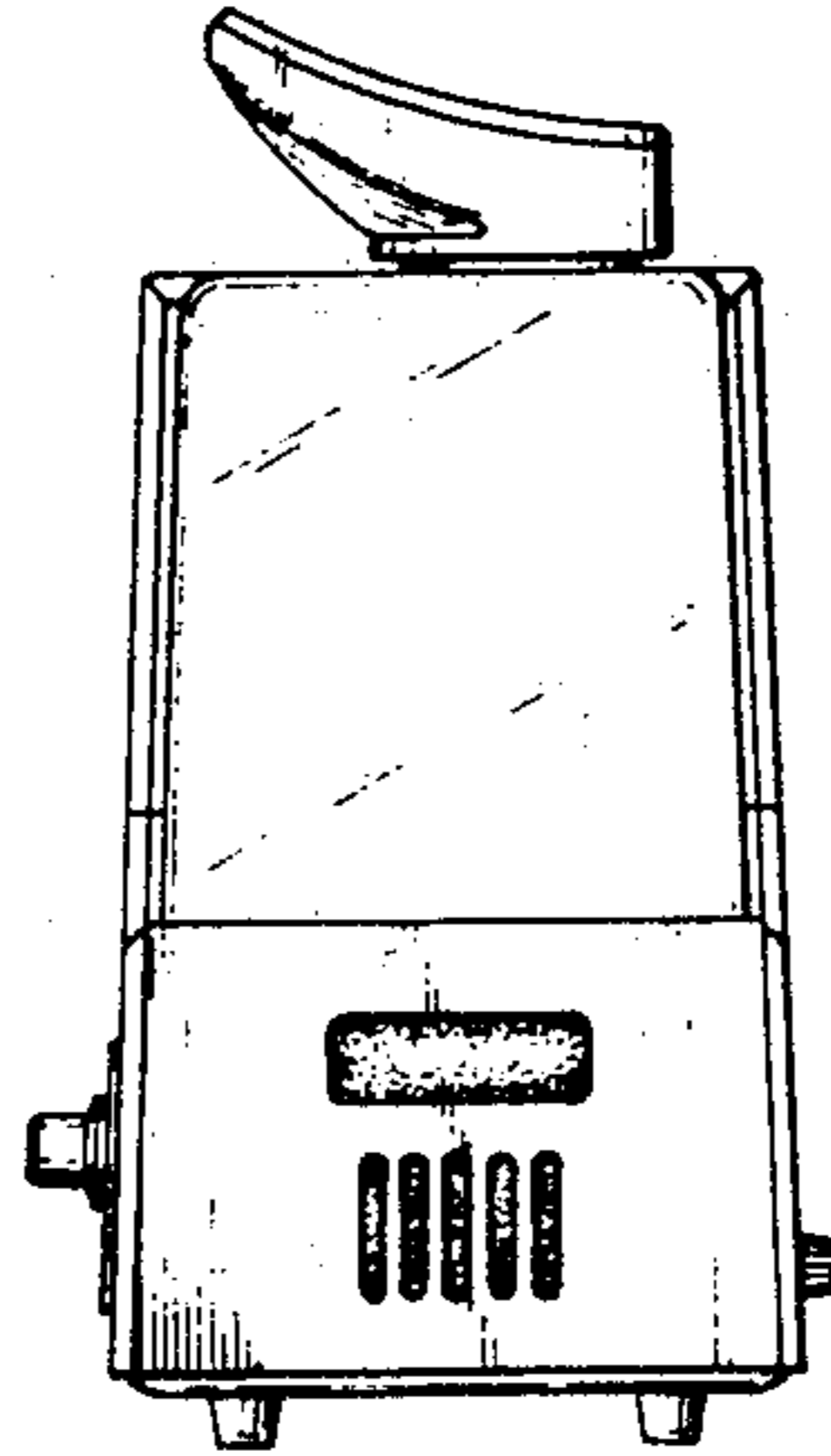


FIG.6

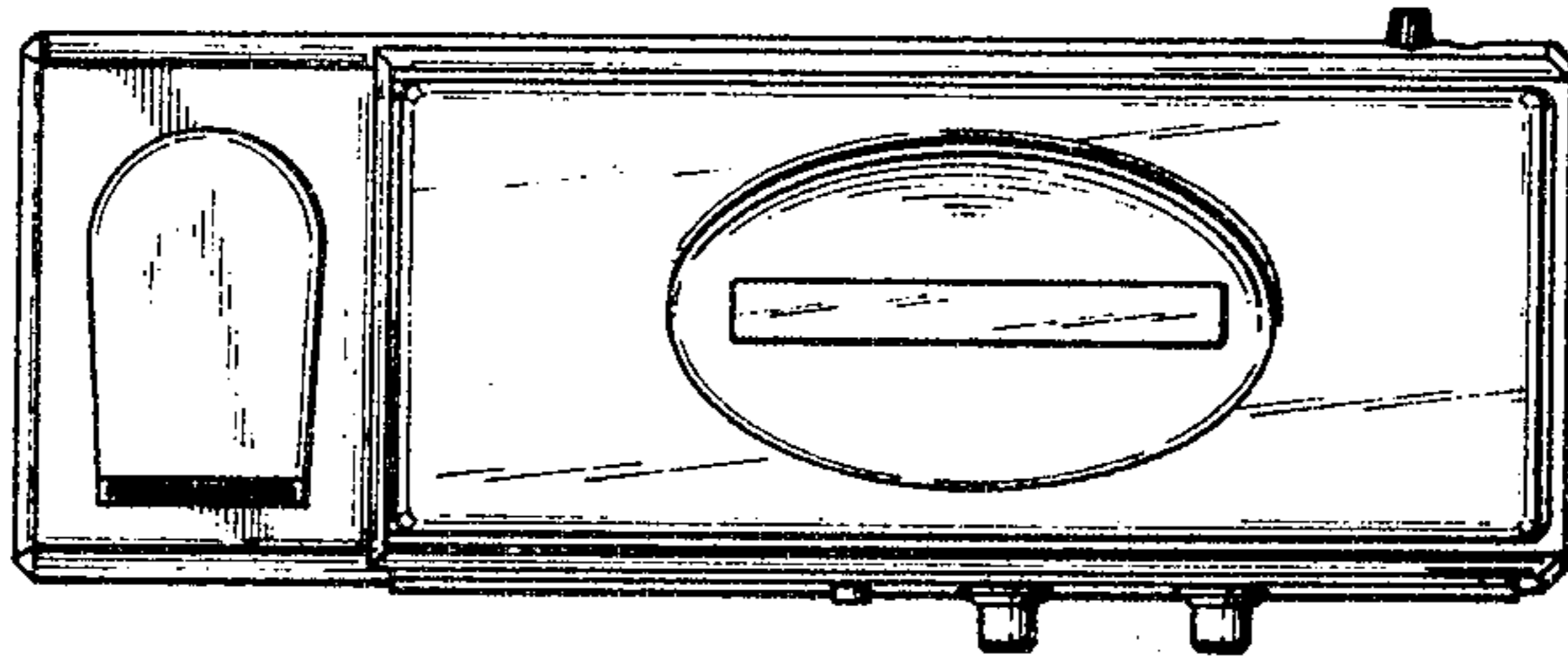


FIG.7

