

[54] FAUCET SPOUT

[75] Inventor: Nazzareno Piesco, Milan, Italy

[73] Assignee: F.I.R. Rubinetterie S.p.A., Milan, Italy

[**] Term: 14 Years

[21] Appl. No.: 603,380

[22] Filed: Apr. 24, 1984

[30] Foreign Application Priority Data

Sep. 29, 1983 [IT] Italy 23110[U]

[52] U.S. Cl. D23/32

[58] Field of Search D23/23-32; D8/300, 307, 318, 310-312; 137/801

[56] References Cited

U.S. PATENT DOCUMENTS

- D. 140,557 3/1945 Stanitz D23/23
- D. 149,379 4/1948 Sayre D23/23

- D. 149,398 4/1948 Bauberger D23/23
- D. 191,295 9/1961 Chapman D23/23
- D. 227,467 6/1973 Genaro D23/32
- D. 276,269 11/1984 Miller D23/25
- D. 279,923 7/1985 Niemann et al. D23/32

Primary Examiner—James R. Largen
Attorney, Agent, or Firm—Sughrue, Mion, Zinn,
Macpeak & Seas

[57] CLAIM

The ornamental design for a faucet spout, as shown and described.

DESCRIPTION

FIG. 1 is a perspective view taken from the front and left side of the faucet spout showing my new design; FIG. 2 is a left side elevational view thereof, the right side being a mirror image of the left side shown; FIG. 3 is a top plan view thereof; FIG. 4 is a front elevational view thereof; and FIG. 5 is a rear elevational view thereof.

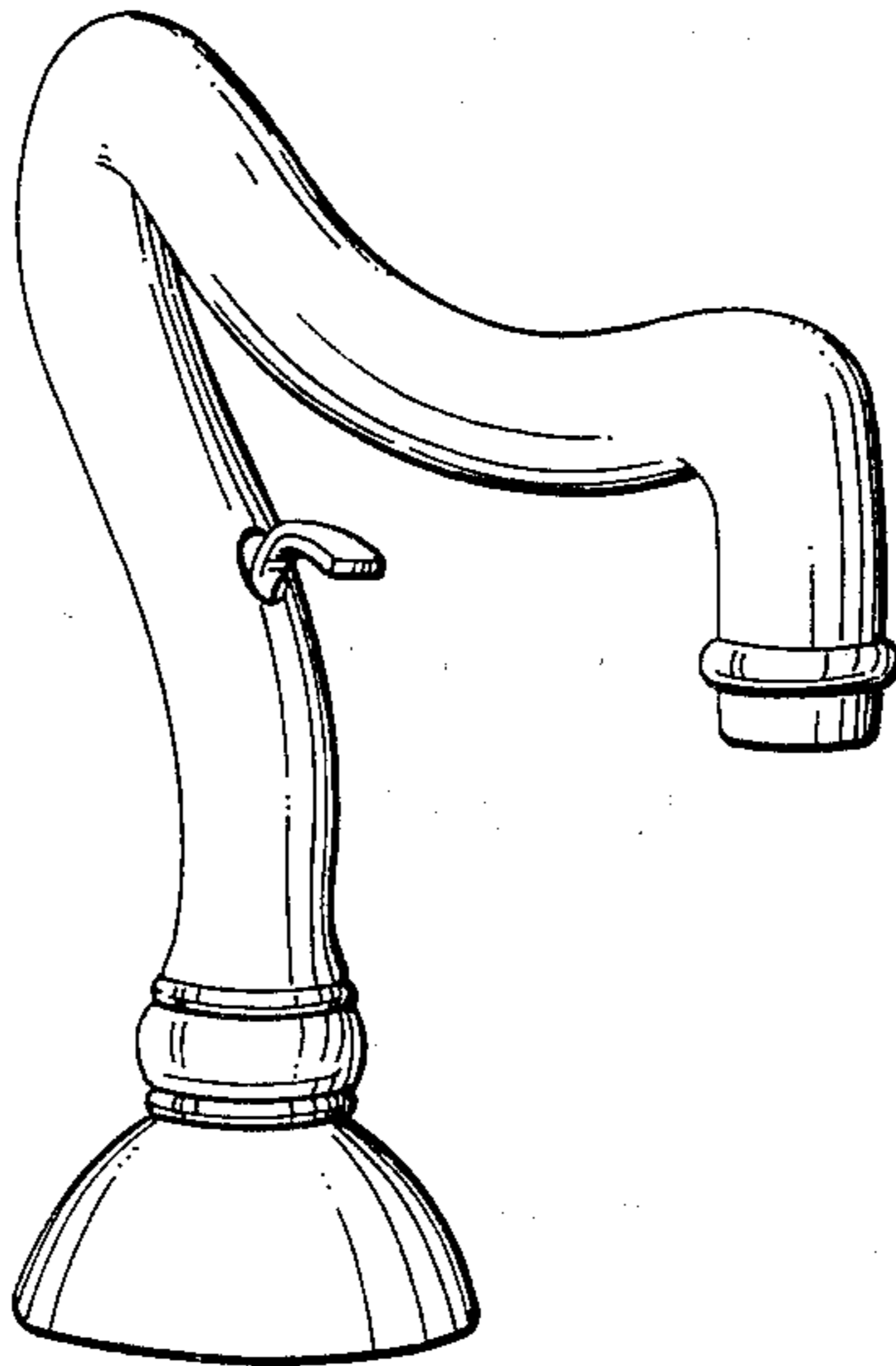


FIG. 1

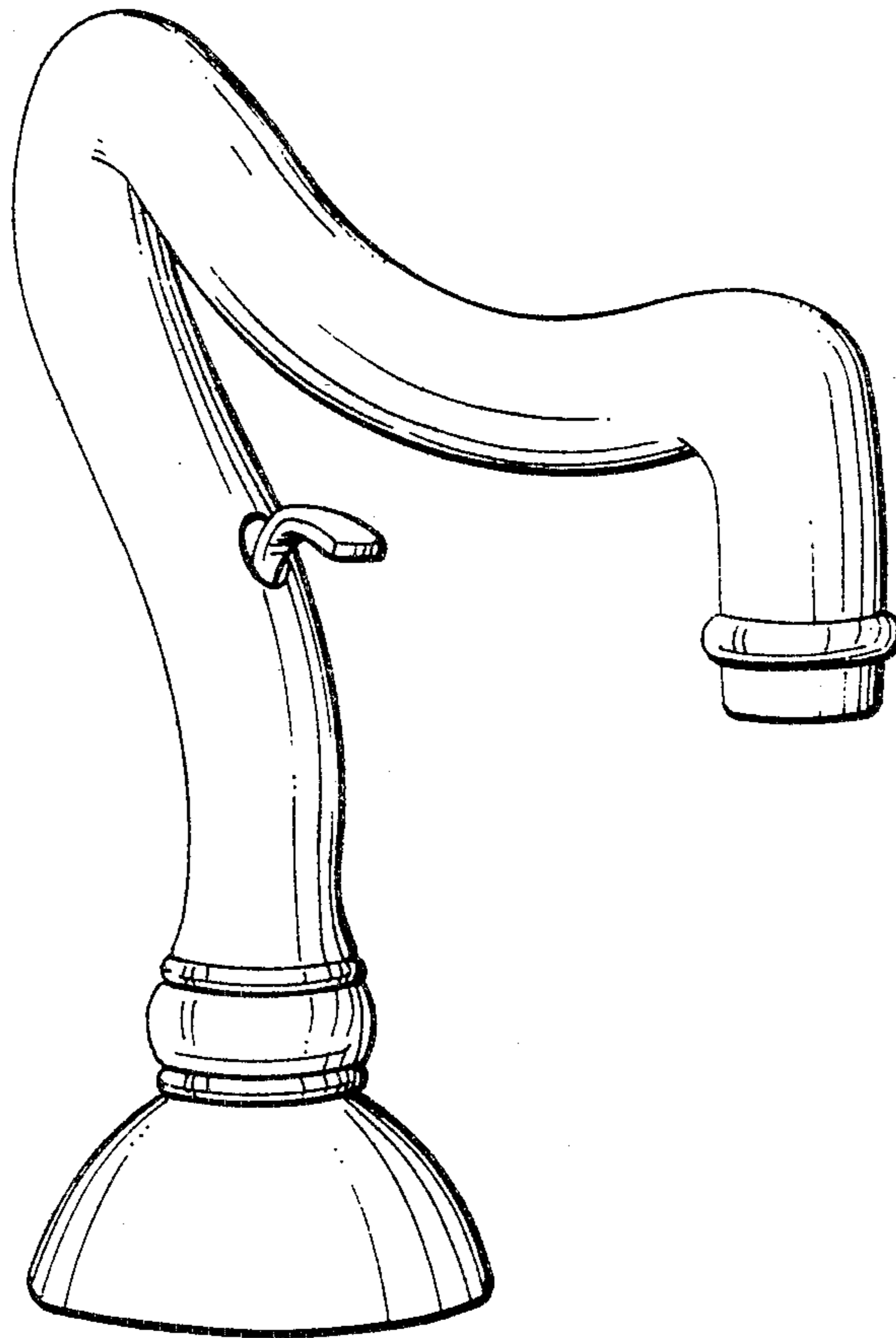


FIG. 2

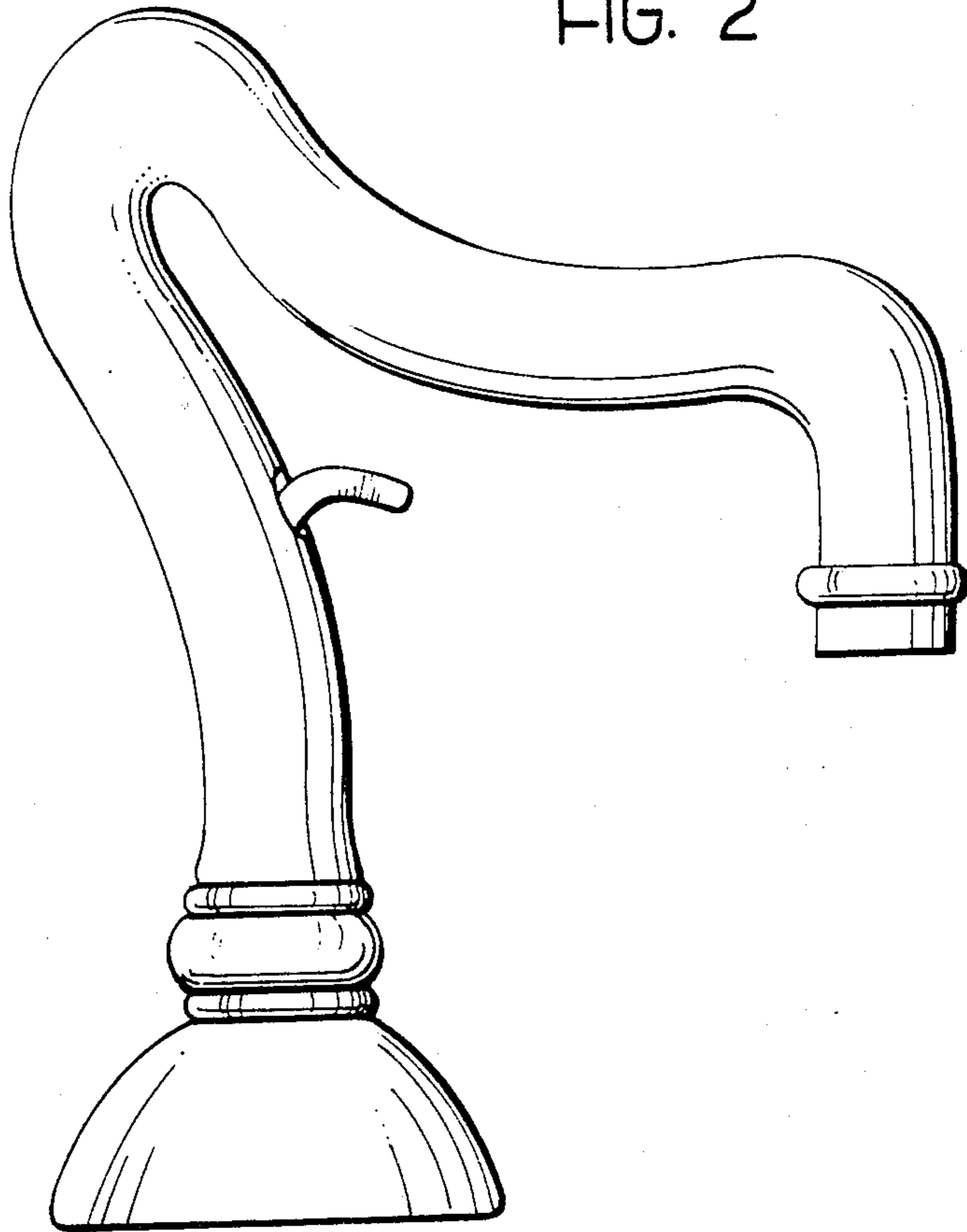
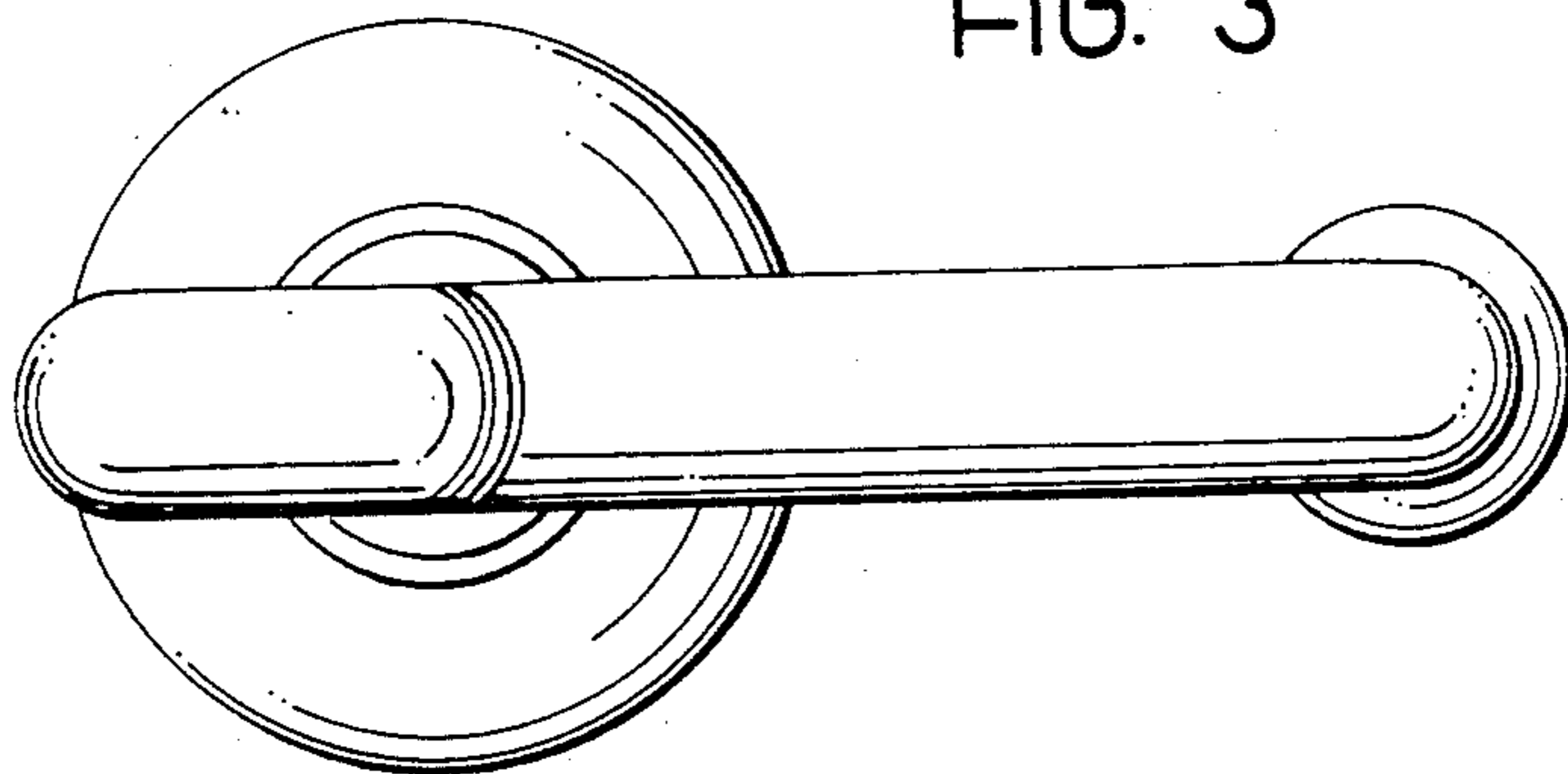


FIG. 3



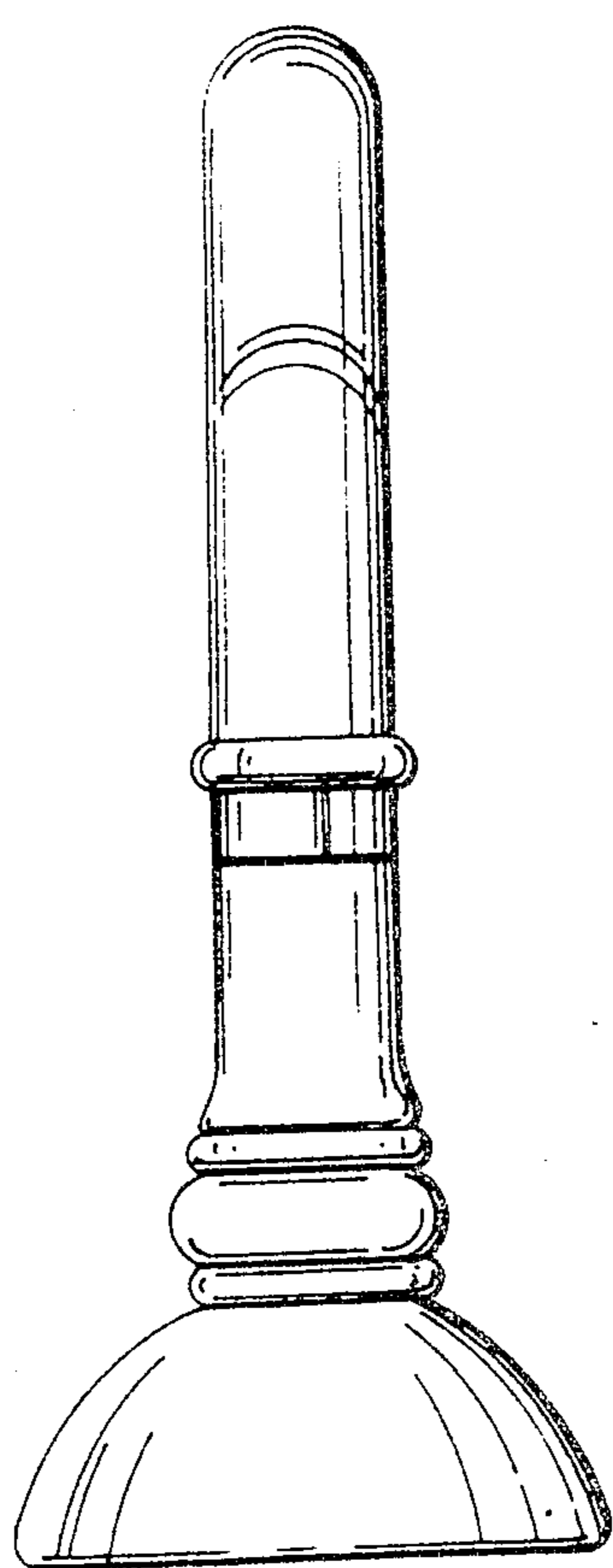


FIG. 4

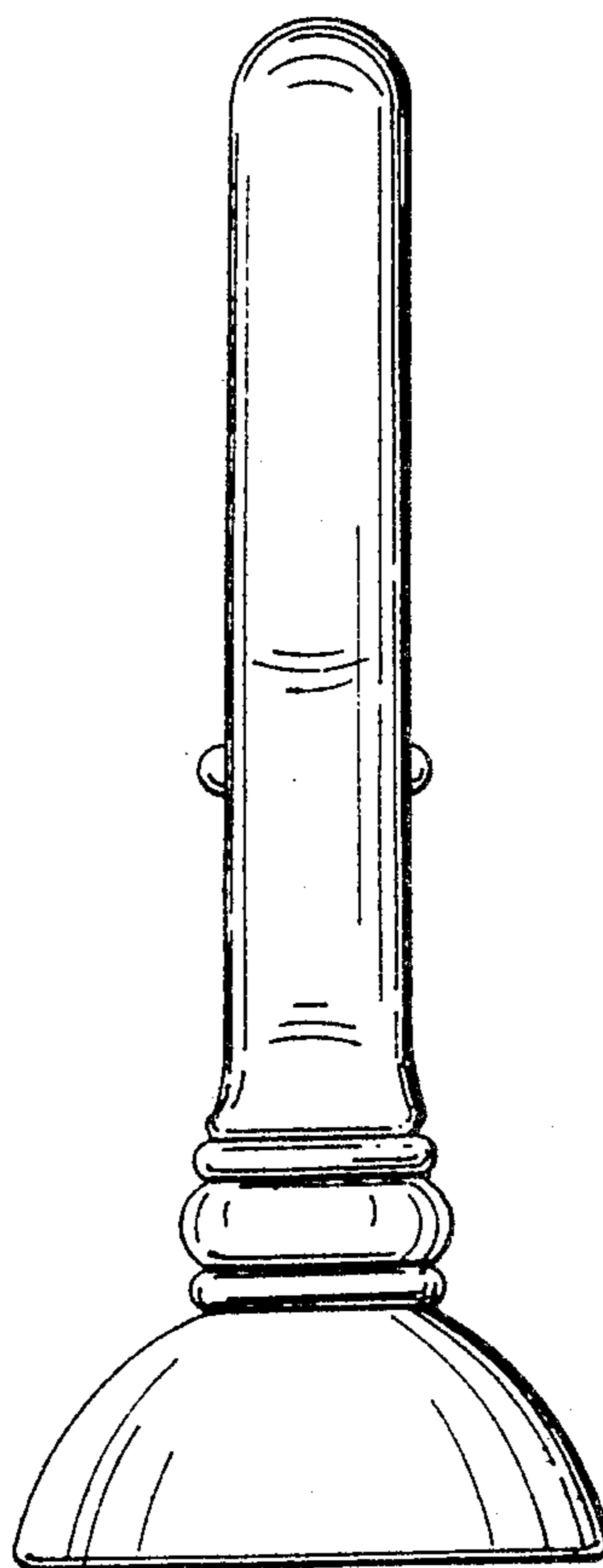


FIG. 5