

[54] FAUCET

[75] Inventor: Nazzareno Piesco, Milan, Italy

[73] Assignee: F.I.R. Rubinetterie S.p.A., Milan, Italy

[\*\*] Term: 14 Years

[21] Appl. No.: 603,384

[22] Filed: Apr. 24, 1984

[30] Foreign Application Priority Data

Dec. 6, 1983 [IT] Italy ..... 23771[U]

[52] U.S. Cl. .... D23/25

[58] Field of Search ..... D23/23-32; D8/300, 307, 308, 310-312; 137/801

[56] References Cited

U.S. PATENT DOCUMENTS

- D. 25,950 8/1896 Totham ..... D23/32
- D. 32,289 2/1900 Gevrink ..... D23/23
- D. 76,560 10/1928 Smith ..... D23/25
- D. 87,328 7/1932 Brotz ..... D23/26
- D. 96,625 8/1935 Robinovitz ..... D23/24

- D. 117,171 10/1939 Fraser ..... D23/23
- D. 203,246 12/1965 Harvey et al. .... D23/23
- D. 204,441 4/1966 Harvey et al. .... D23/23
- D. 217,670 5/1970 Rowlands ..... D23/32
- D. 220,101 3/1971 Brown et al. .... D23/23
- D. 263,991 4/1982 Fleischmann ..... D23/32

OTHER PUBLICATIONS

Domestic Engineering, May 1980, p. 43, top left and bottom right items.

Primary Examiner—James R. Largen  
Attorney, Agent, or Firm—Sughrue, Mion, Zinn, Macpeak & Seas

[57] CLAIM

The ornamental design for a faucet, as shown and described.

DESCRIPTION

FIG. 1 is a perspective view taken from the top, front and left side of a faucet showing my new design; FIG. 2 is a left side elevational view thereof, the right side being a mirror image of the left side shown; FIG. 3 is a top plan view thereof; and FIG. 4 is a rear elevational view thereof.

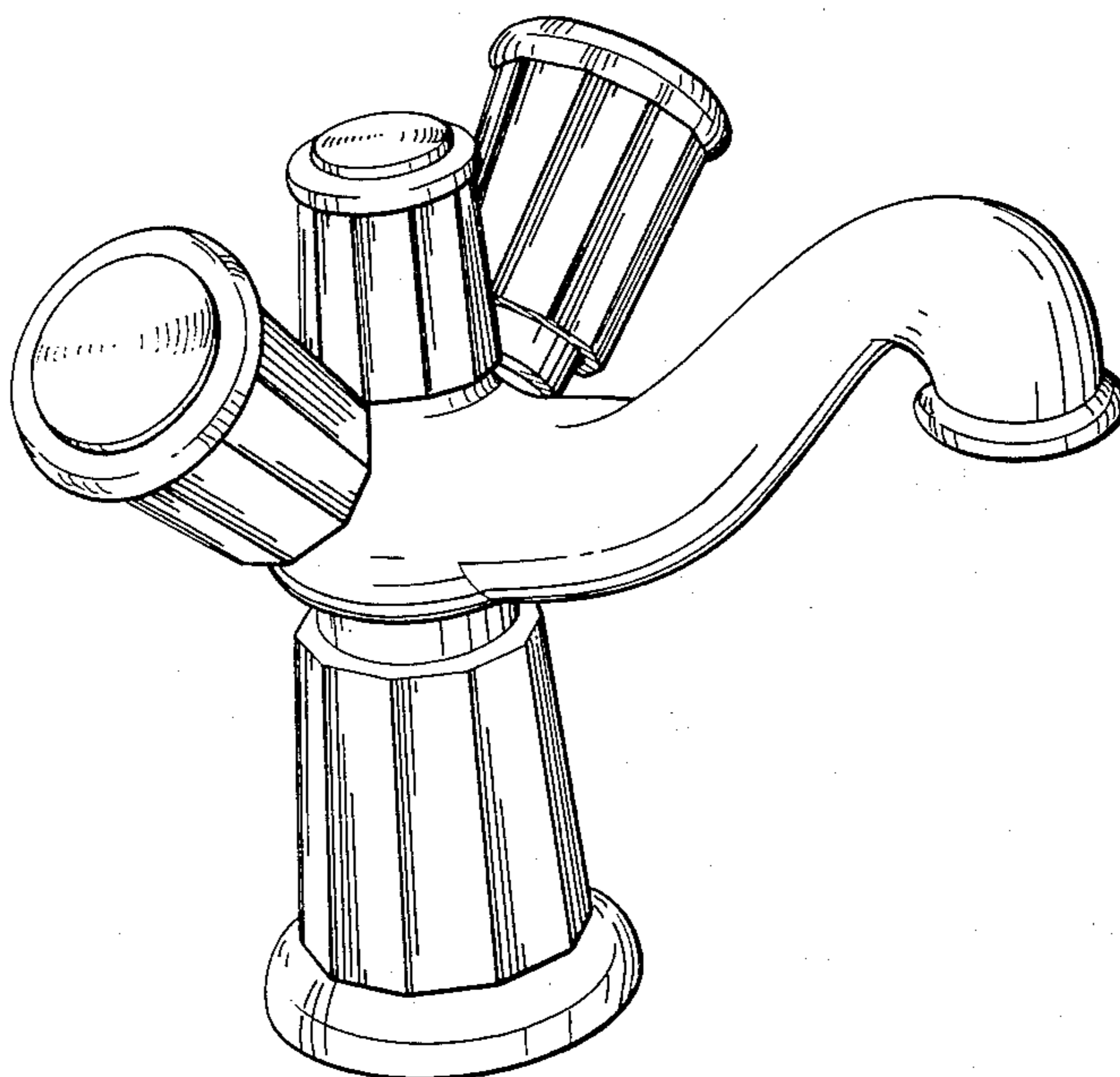


FIG. 1

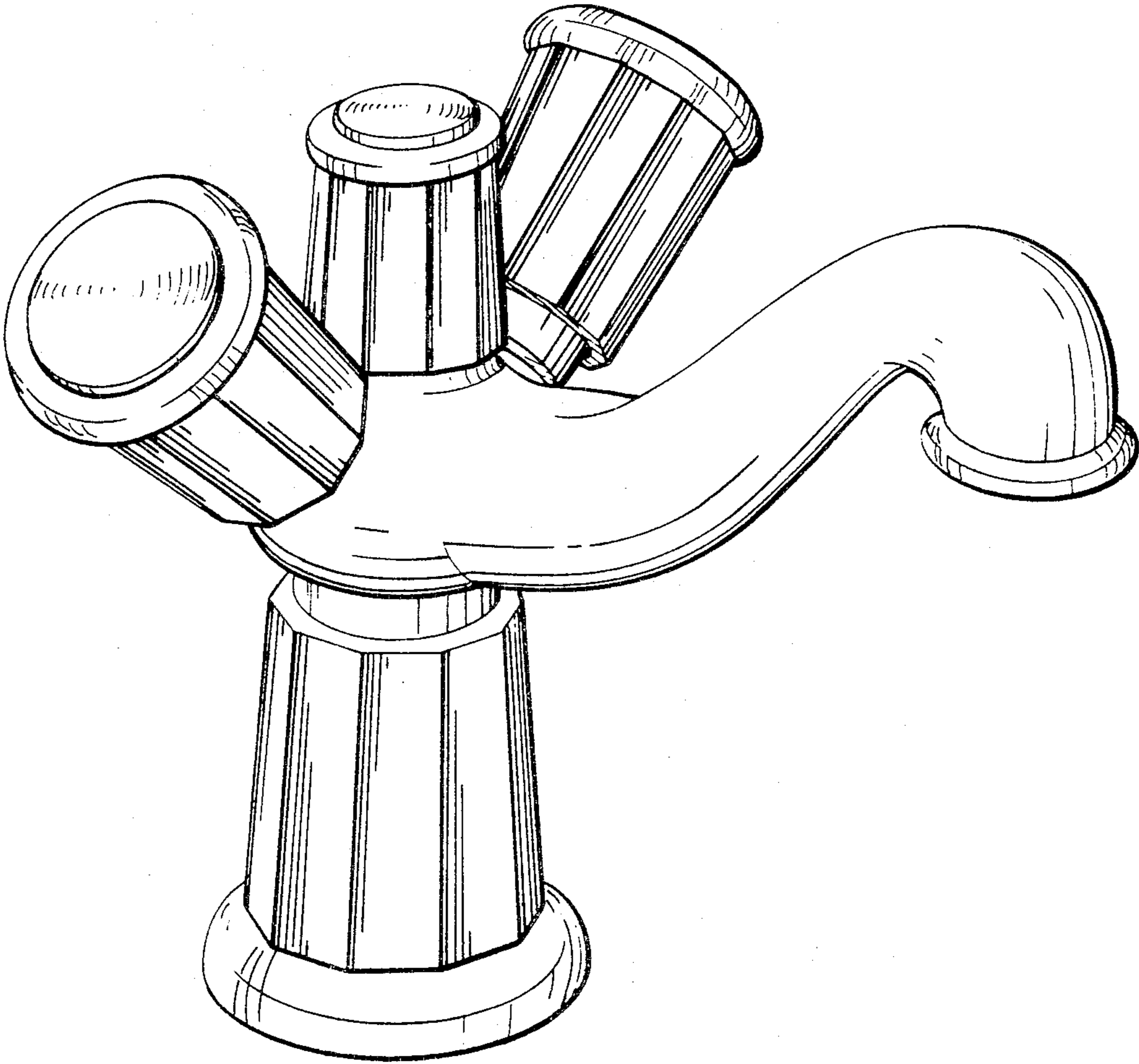


FIG. 2

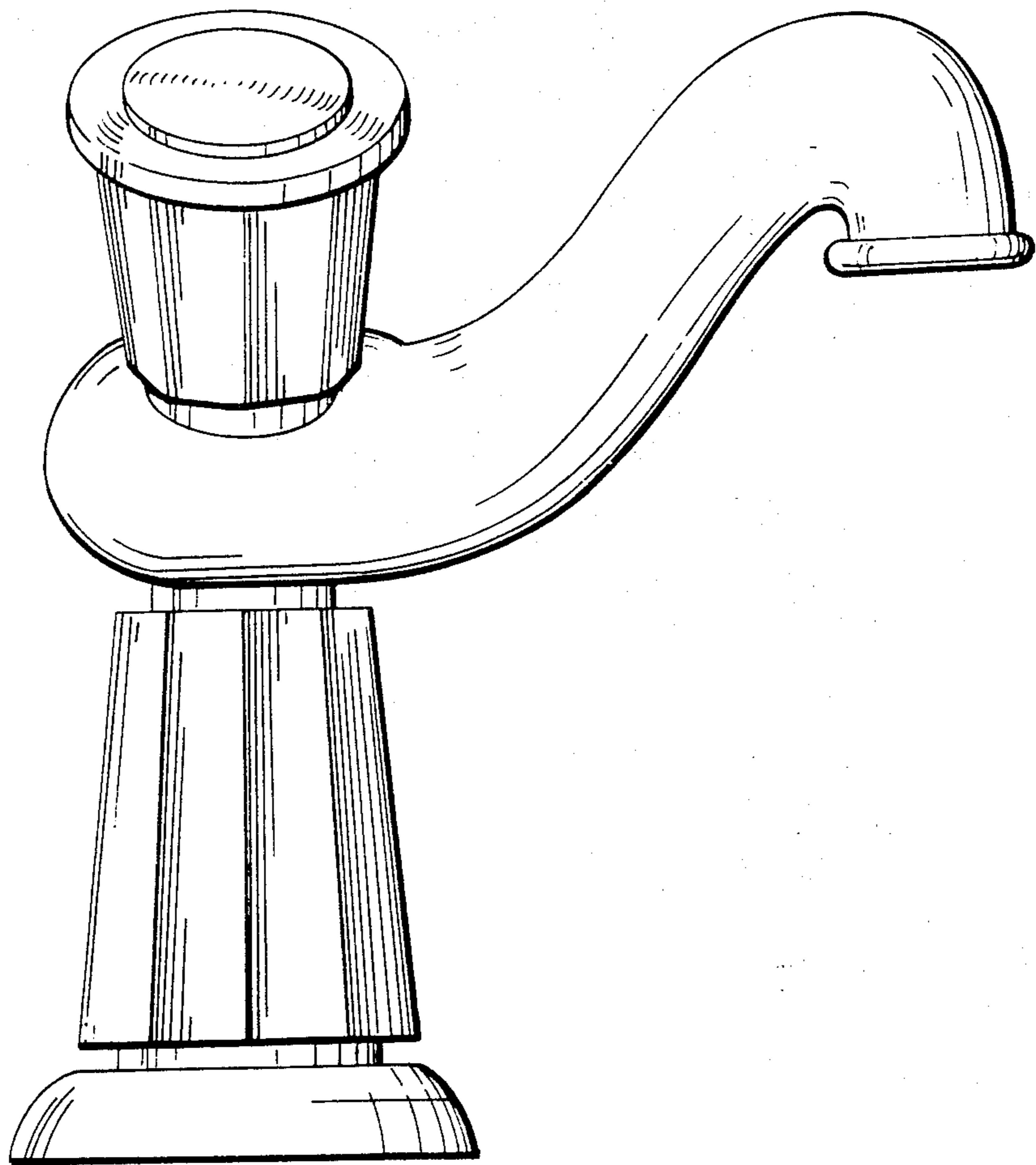
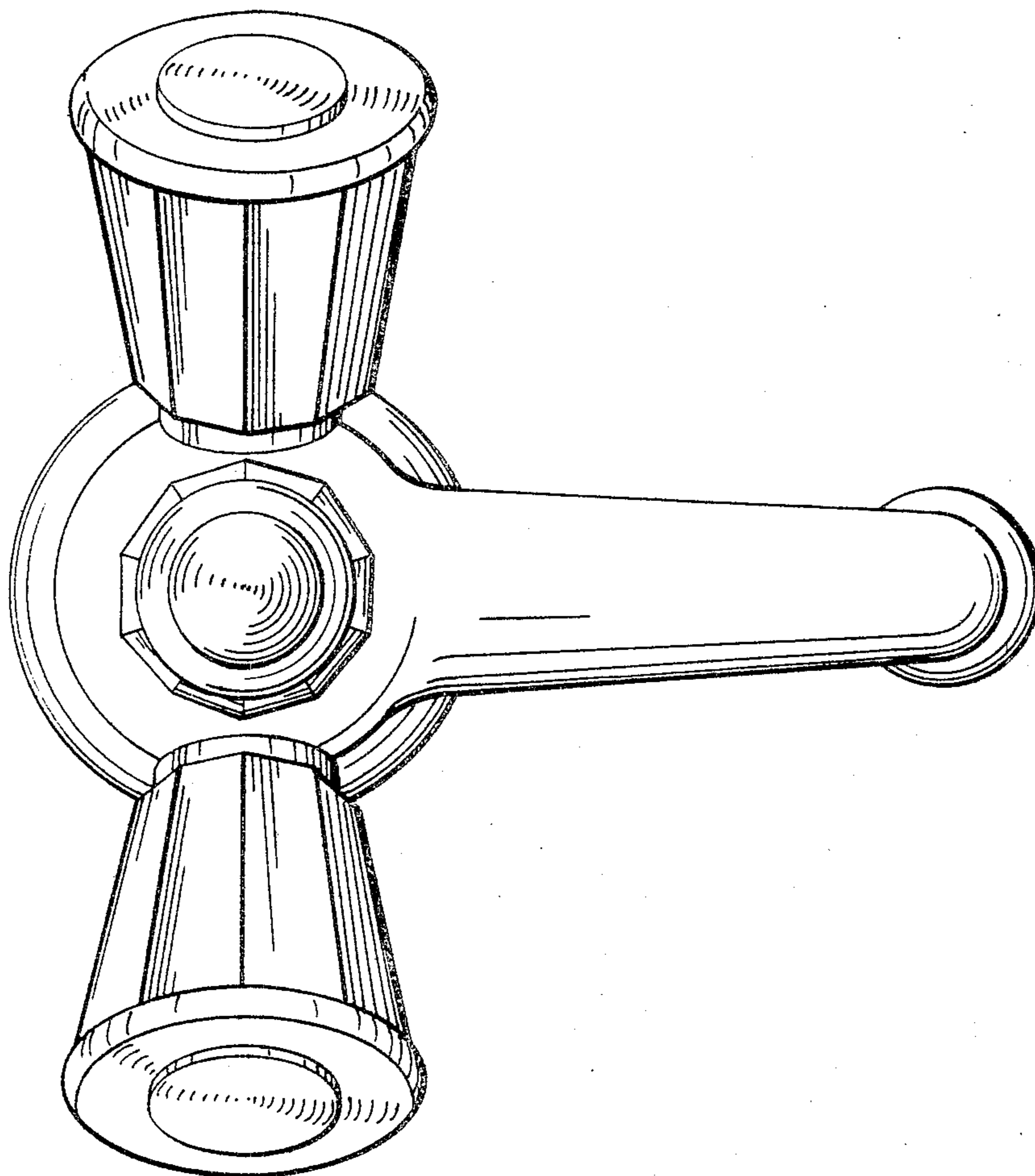


FIG. 3



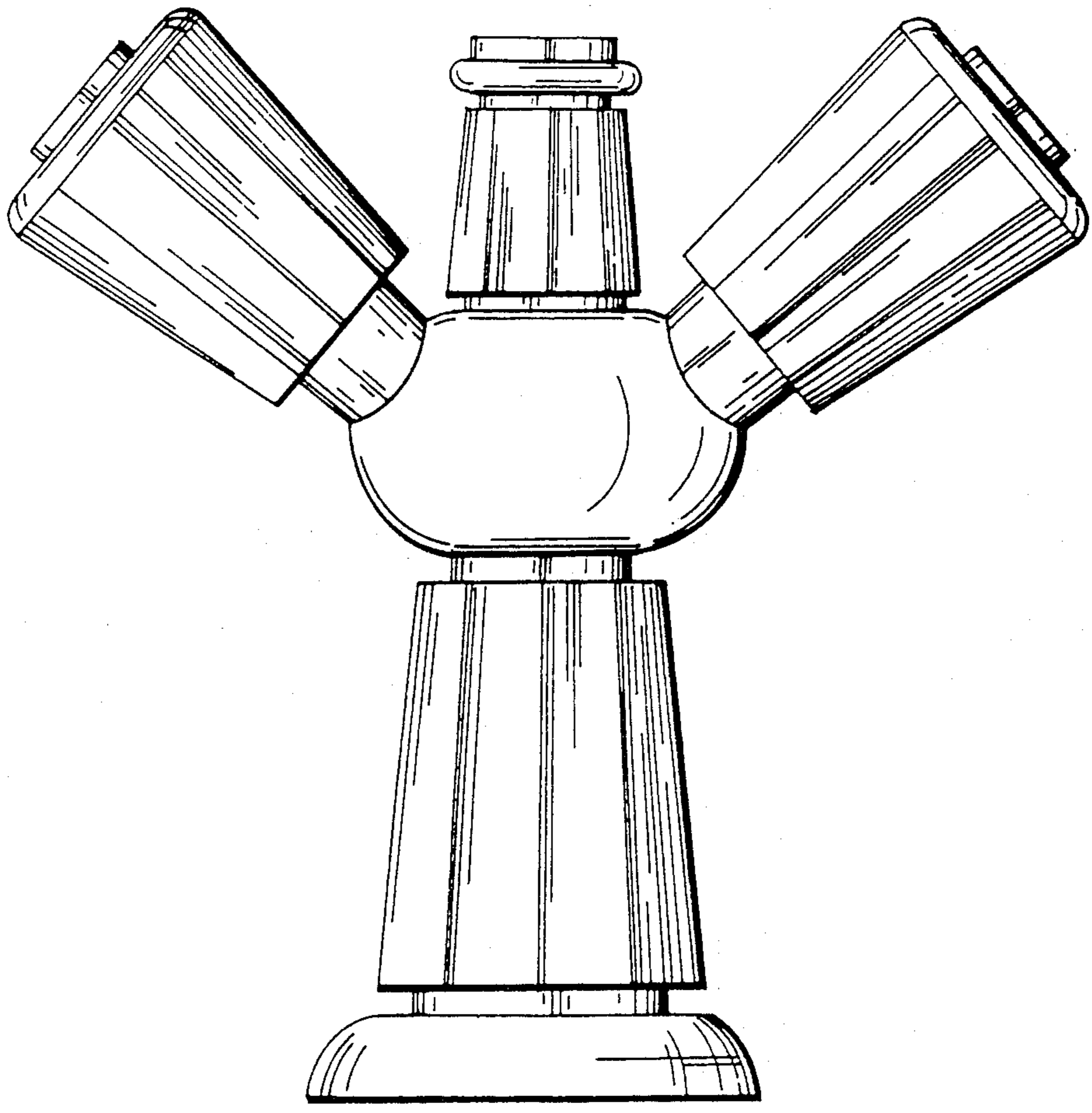


FIG. 4