

[54] IMPACT DRIVE SPRINKLER

[75] Inventors: Kenneth W. Premo, Fullerton; Billy J. Hobbs, Jr., Upland, both of Calif.

[73] Assignee: Rain Bird Consumer Products Mfg. Corp., Duarte, Calif.

[\*\*] Term: 14 Years

[21] Appl. No.: 681,547

[22] Filed: Feb. 7, 1985

[52] U.S. Cl. .... D23/17

[58] Field of Search ..... D23/6-9; 239/230-233, 591

[56] References Cited

U.S. PATENT DOCUMENTS

D. 255,825	7/1980	Hardy	.....	D23/7
2,793,911	5/1957	Dudley	.....	239/261 X
3,669,356	6/1972	Senninger	.....	239/230
3,744,720	7/1973	Meyer	.....	239/231
3,930,617	1/1976	Dunmire	.....	239/230
3,977,610	8/1976	Royer	.....	239/230

Primary Examiner—Wallace R. Burke

Assistant Examiner—B. N. Vinson

Attorney, Agent, or Firm—Kelly, Bauersfeld & Lowry

[57] CLAIM

The ornamental design for an impact drive sprinkler, substantially as shown and described.

DESCRIPTION

FIG. 1 is a left side elevational view of an impact drive sprinkler embodying our new design; FIG. 2 is a right side elevational view thereof; FIG. 3 is a rear elevational view thereof; FIG. 4 is a front elevational view thereof; FIG. 5 is a top plan view thereof; FIG. 6 is a bottom plan view thereof; FIG. 7 is a rear elevational view similar to FIG. 3 but showing the sprinkler in an alternative position of adjustment; FIG. 8 is a front elevational view similar to FIG. 4 but showing the sprinkler in the alternative position of adjustment; FIG. 9 is a top plan view similar to FIG. 5 but showing the sprinkler in the alternative position of adjustment; FIG. 10 is a perspective view of the sprinkler as shown in FIGS. 1 through 6 and as seen from the left rear; and FIG. 11 is a perspective view of the sprinkler as shown in FIGS. 1 through 6 and as seen from the right bottom.

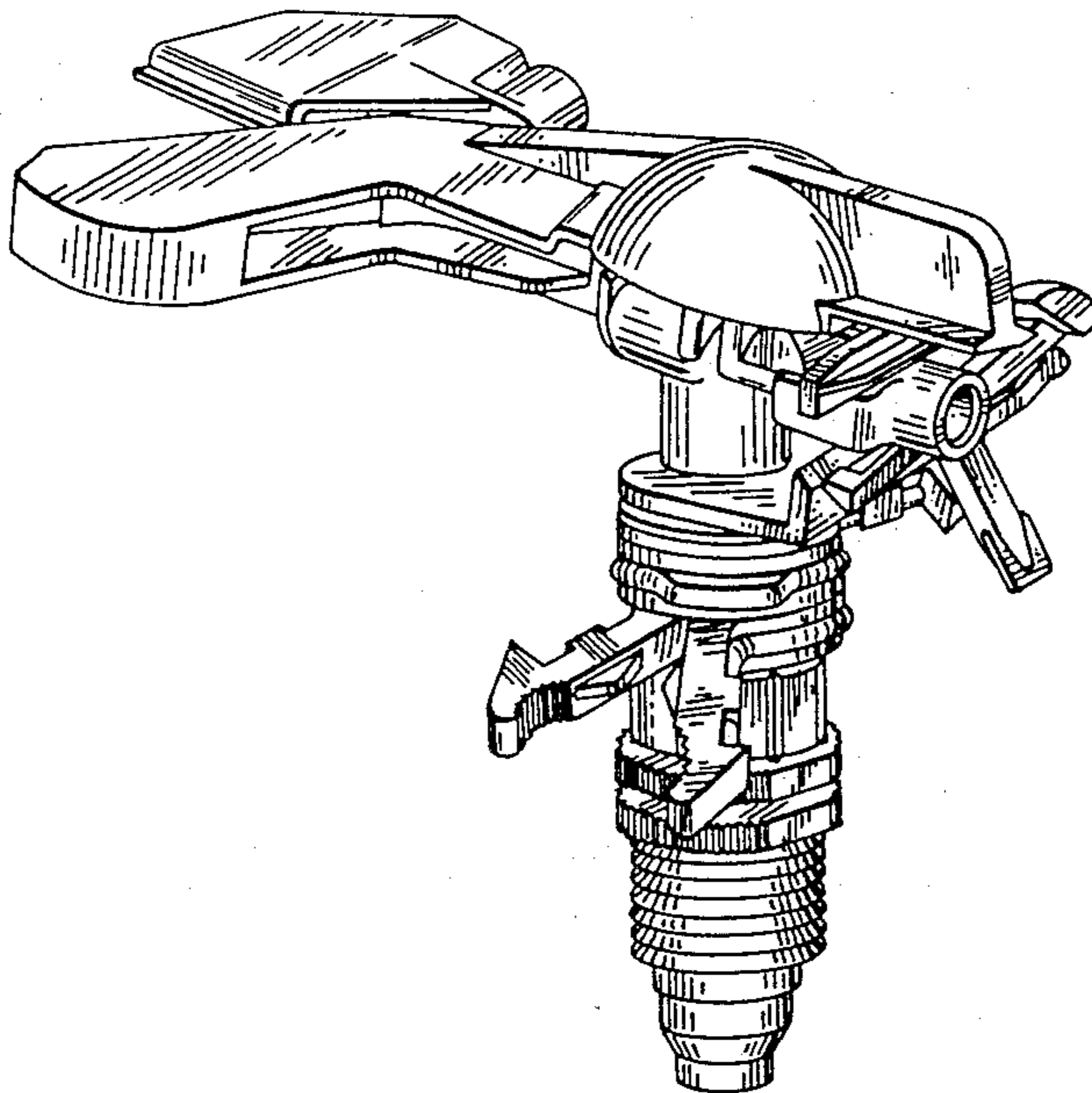


FIG. 1

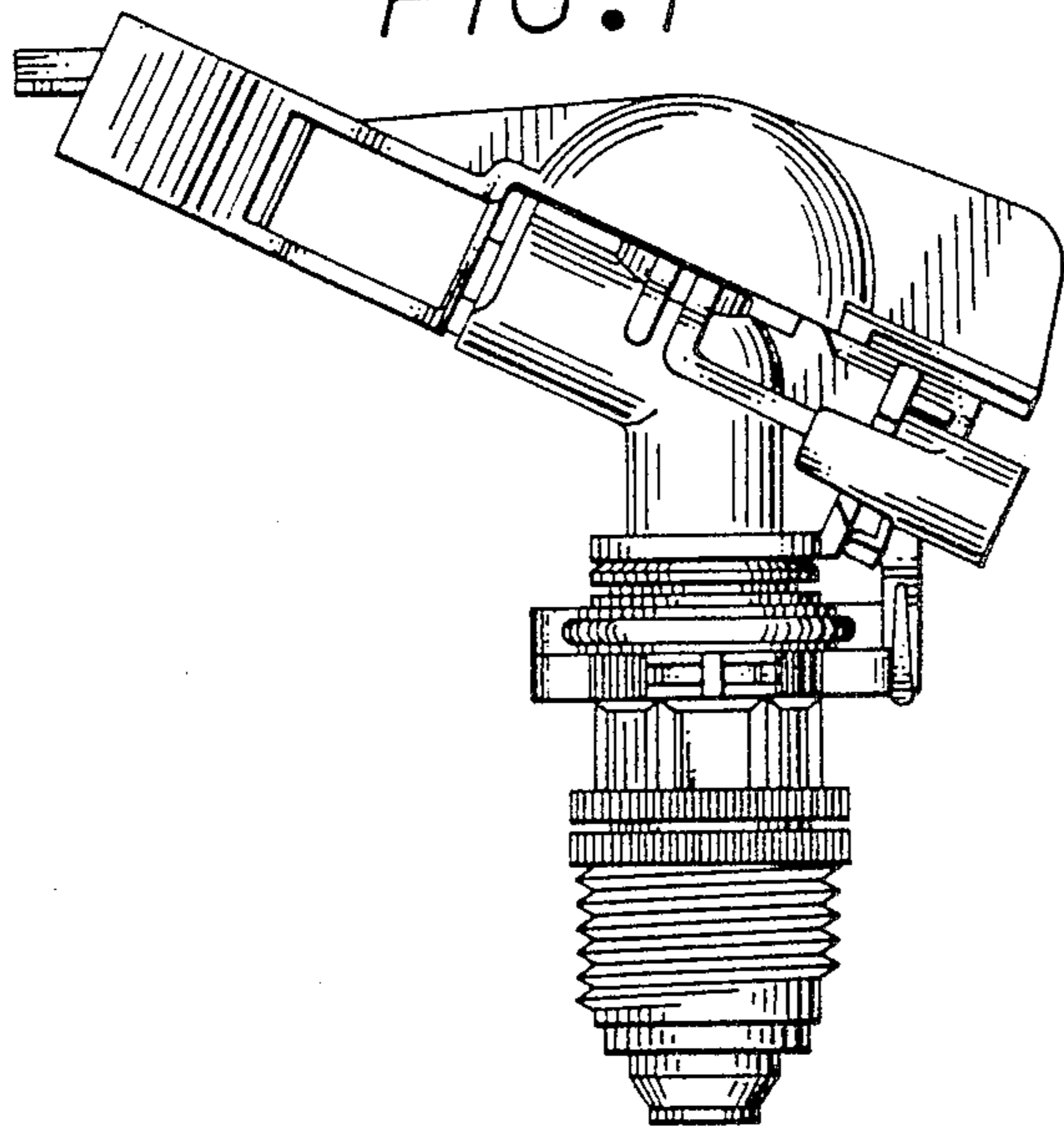


FIG. 2

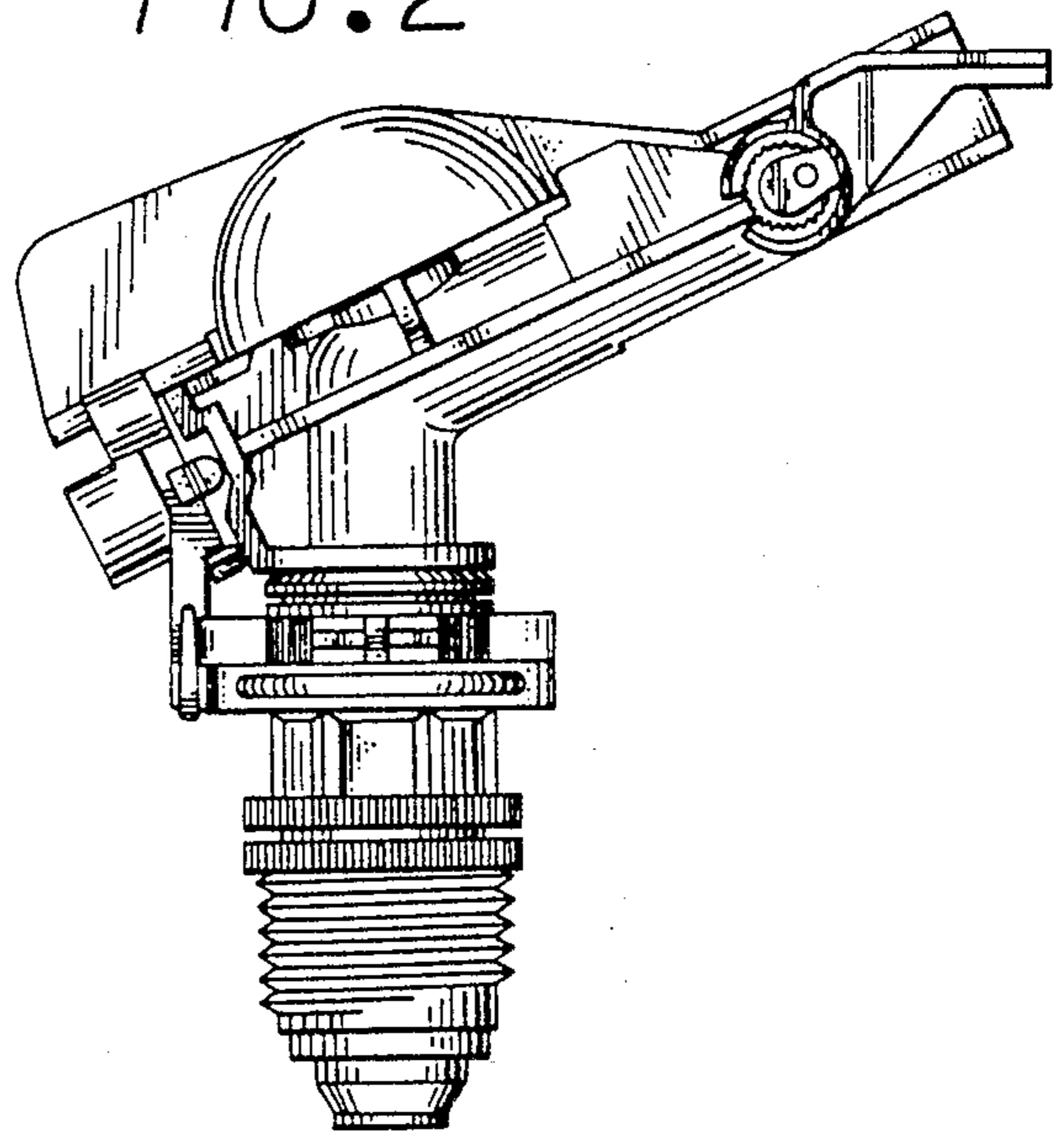


FIG. 3

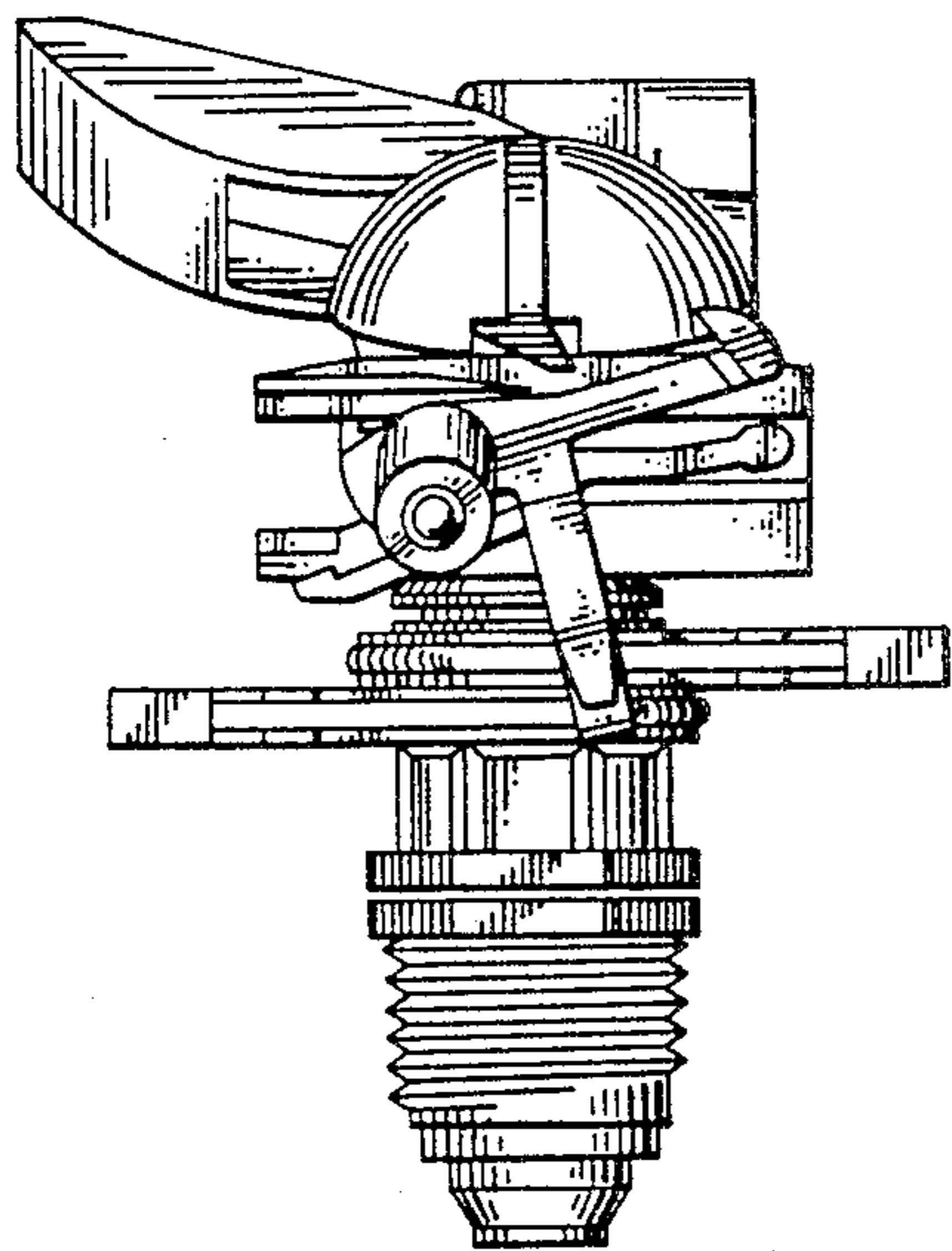


FIG. 4

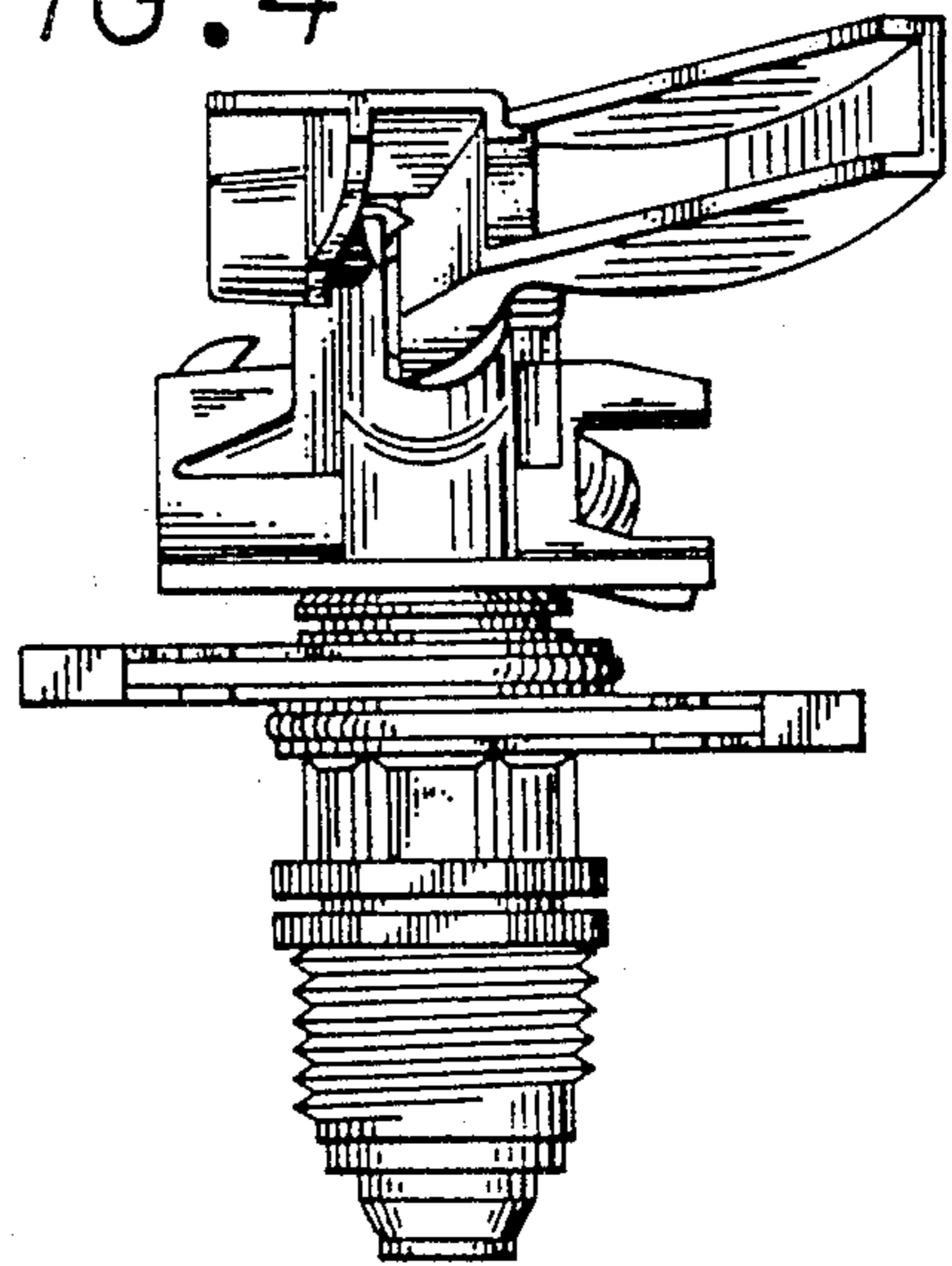


FIG. 5

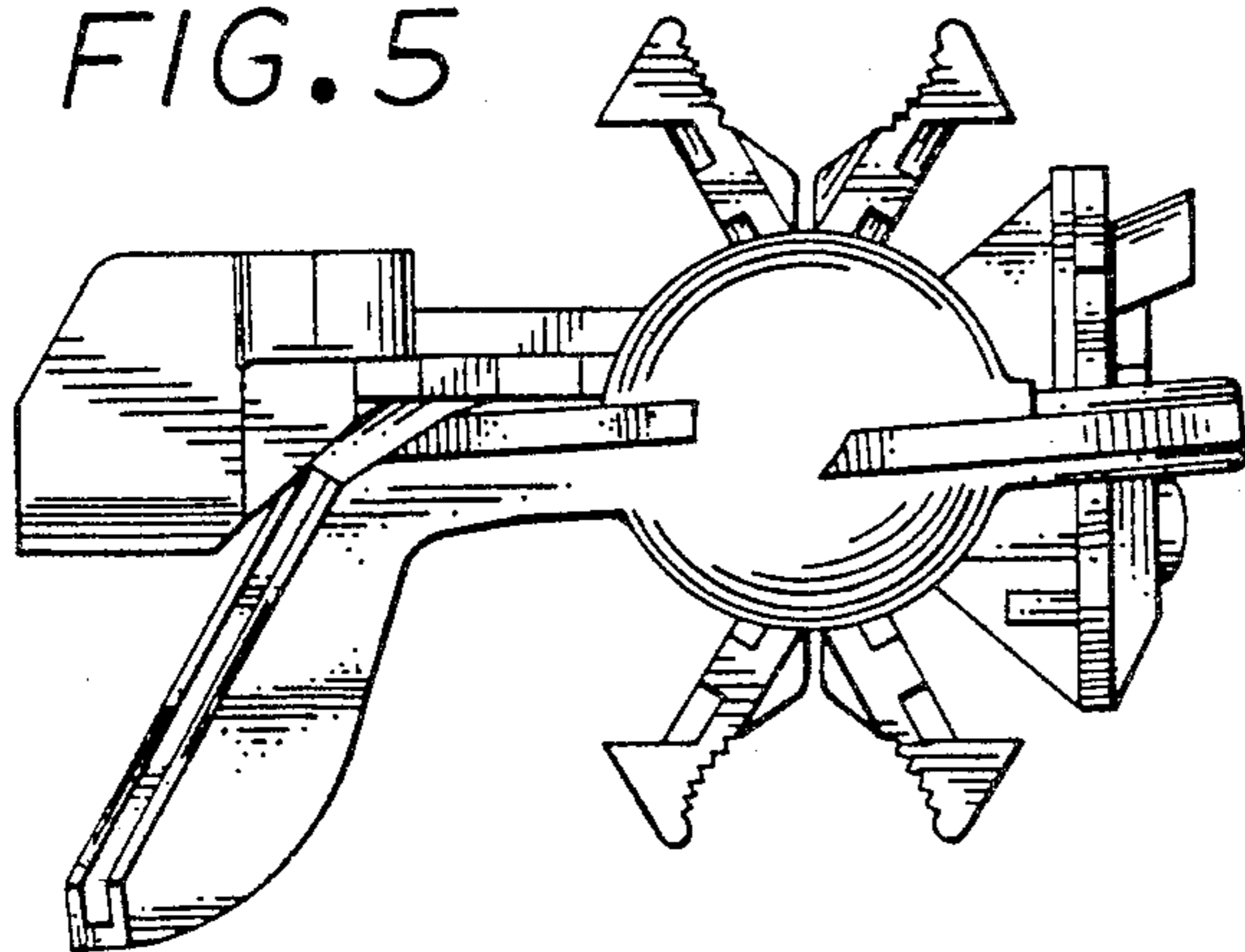


FIG. 6

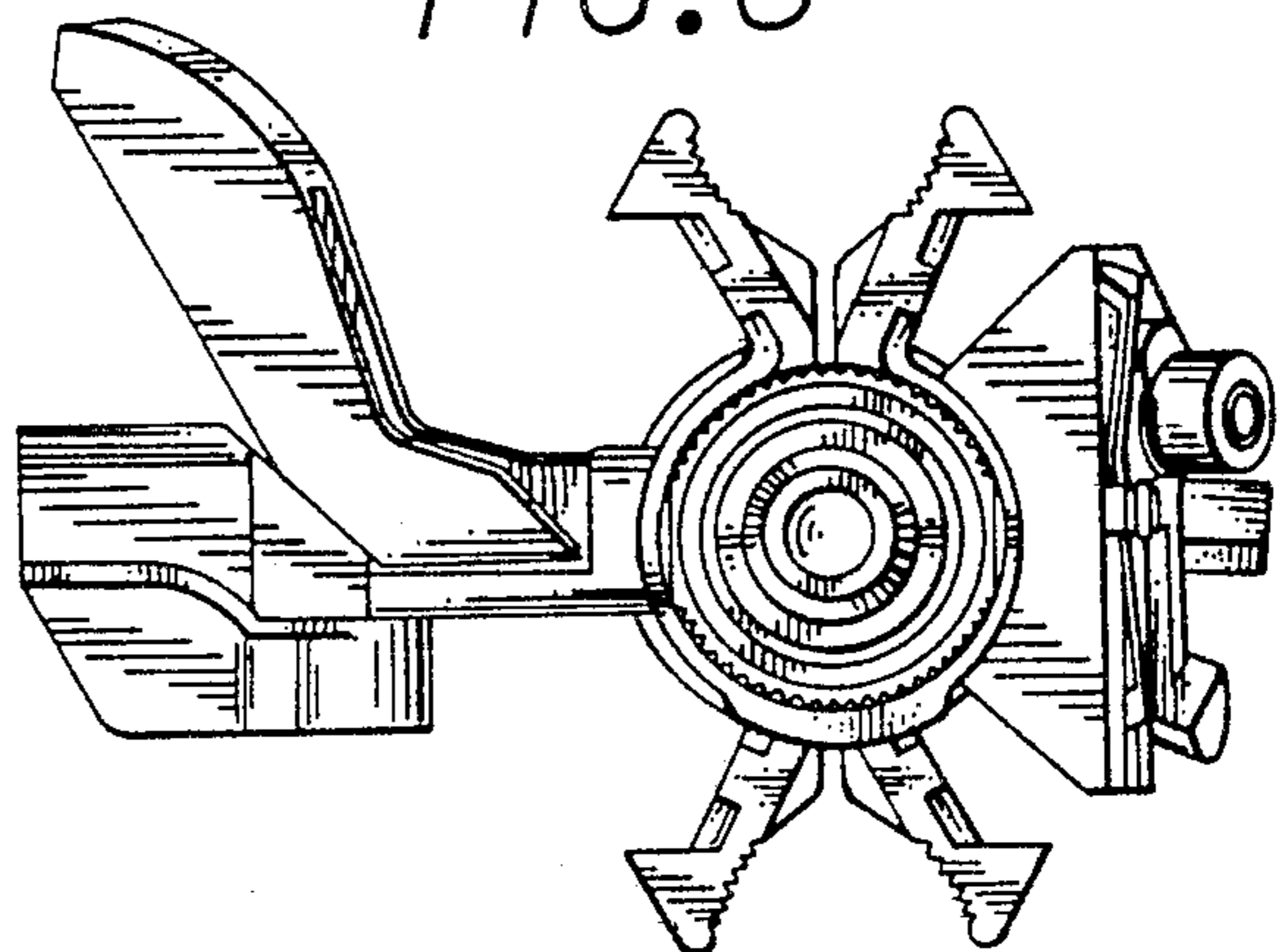


FIG. 7

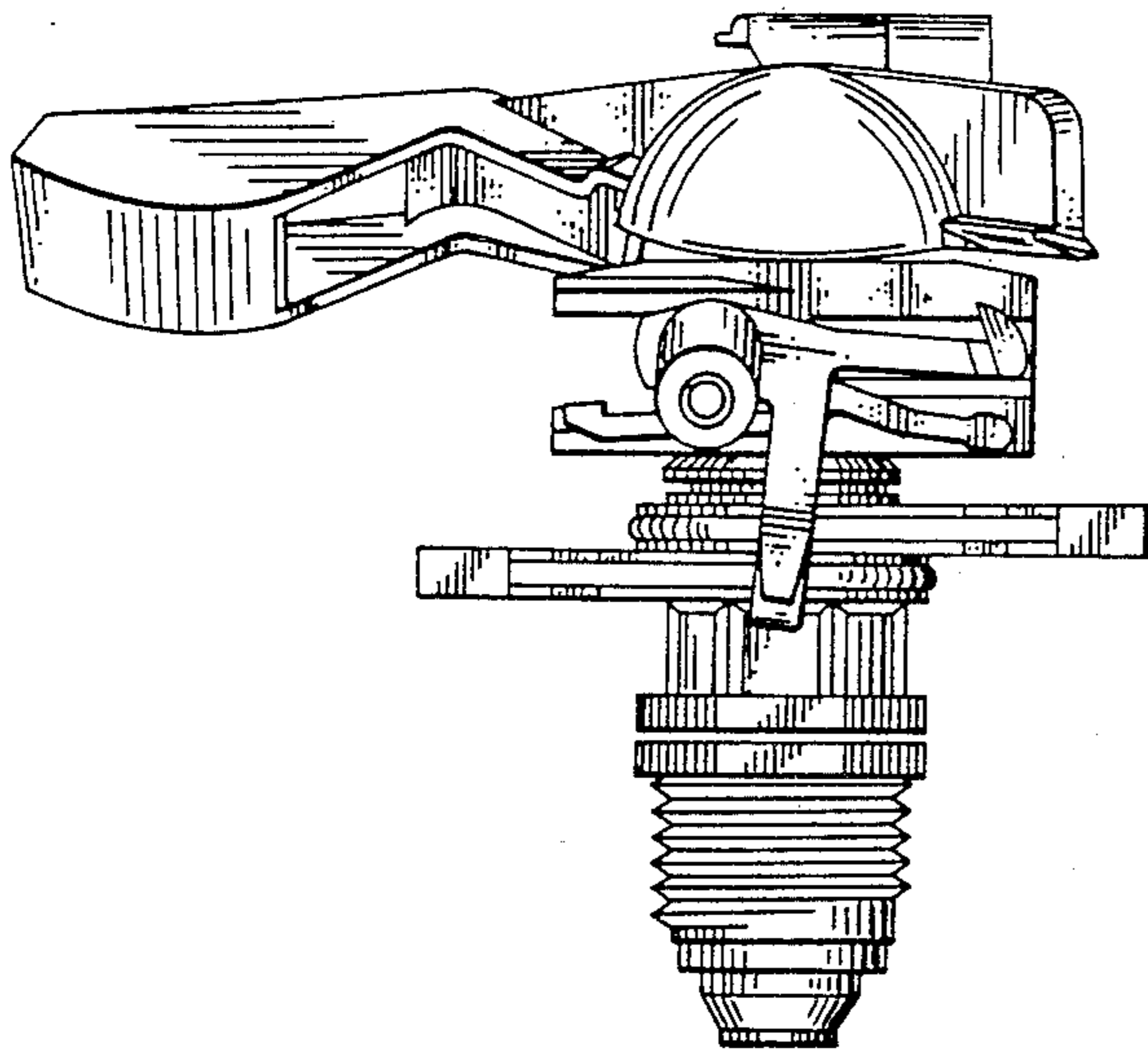


FIG. 8

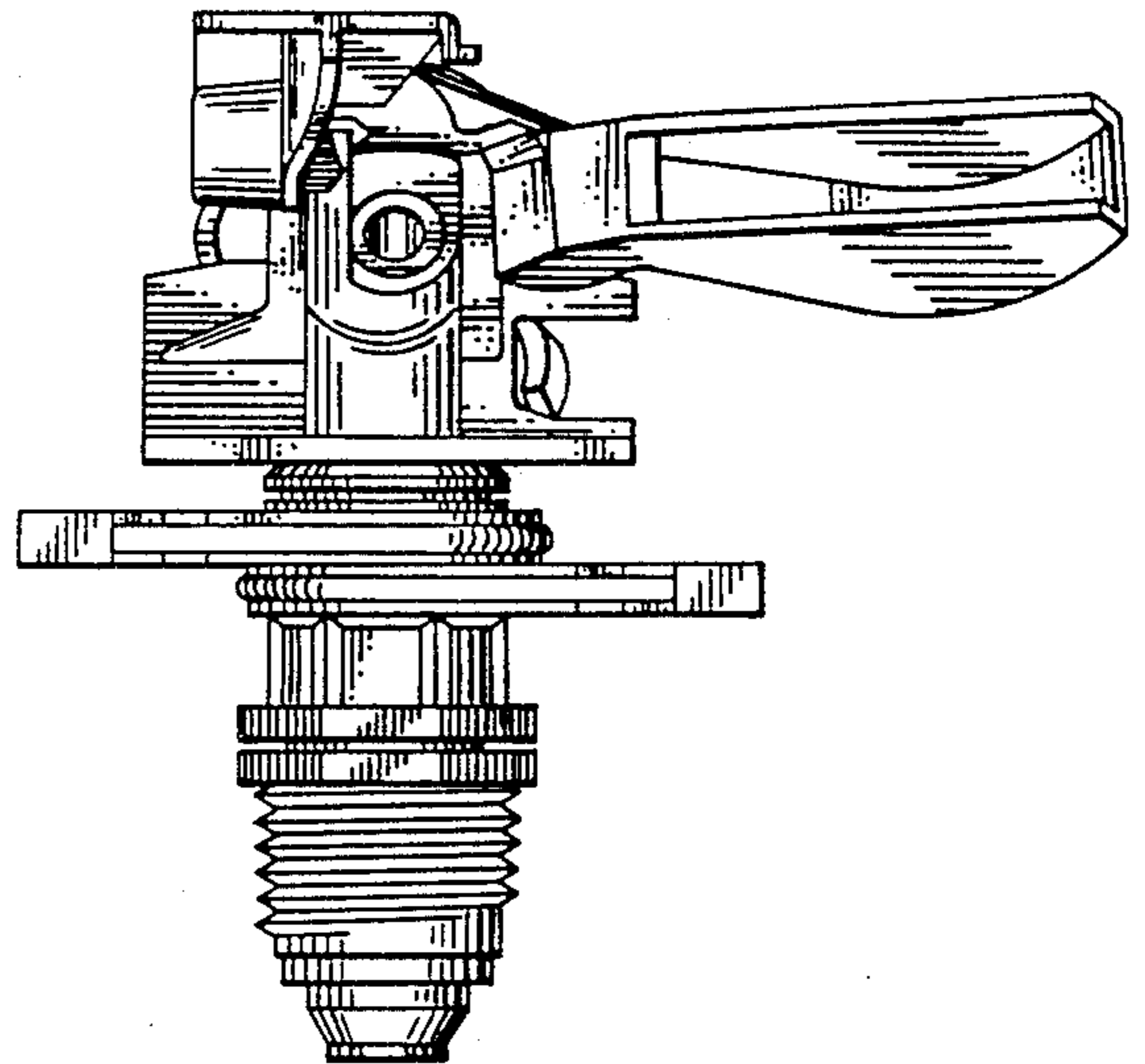


FIG. 9

