

[54] NOZZLE BODY AND A HOUSING FOR A HAND SPRAY GUN

[75] Inventors: George J. Knetl, Westchester; Ronald R. Scotchmur, Schiller Park, both of Ill.

[73] Assignee: Binks Manufacturing Company, Franklin Park, Ill.

[**] Term: 14 Years

[21] Appl. No.: 605,176

[22] Filed: Apr. 30, 1984

[52] U.S. Cl. D23/17

[58] Field of Search D23/17-18; 239/71, 154, 289-290, 318, 332, 337, 414, 428.5, 436, 525-528, 569

[56] References Cited

U.S. PATENT DOCUMENTS

D. 117,308 10/1939 Tammen D23/17

D. 133,223 7/1942 Tammen D23/17
D. 133,394 8/1942 Sundberg et al. D23/17
2,786,716 3/1957 Peeps 239/71

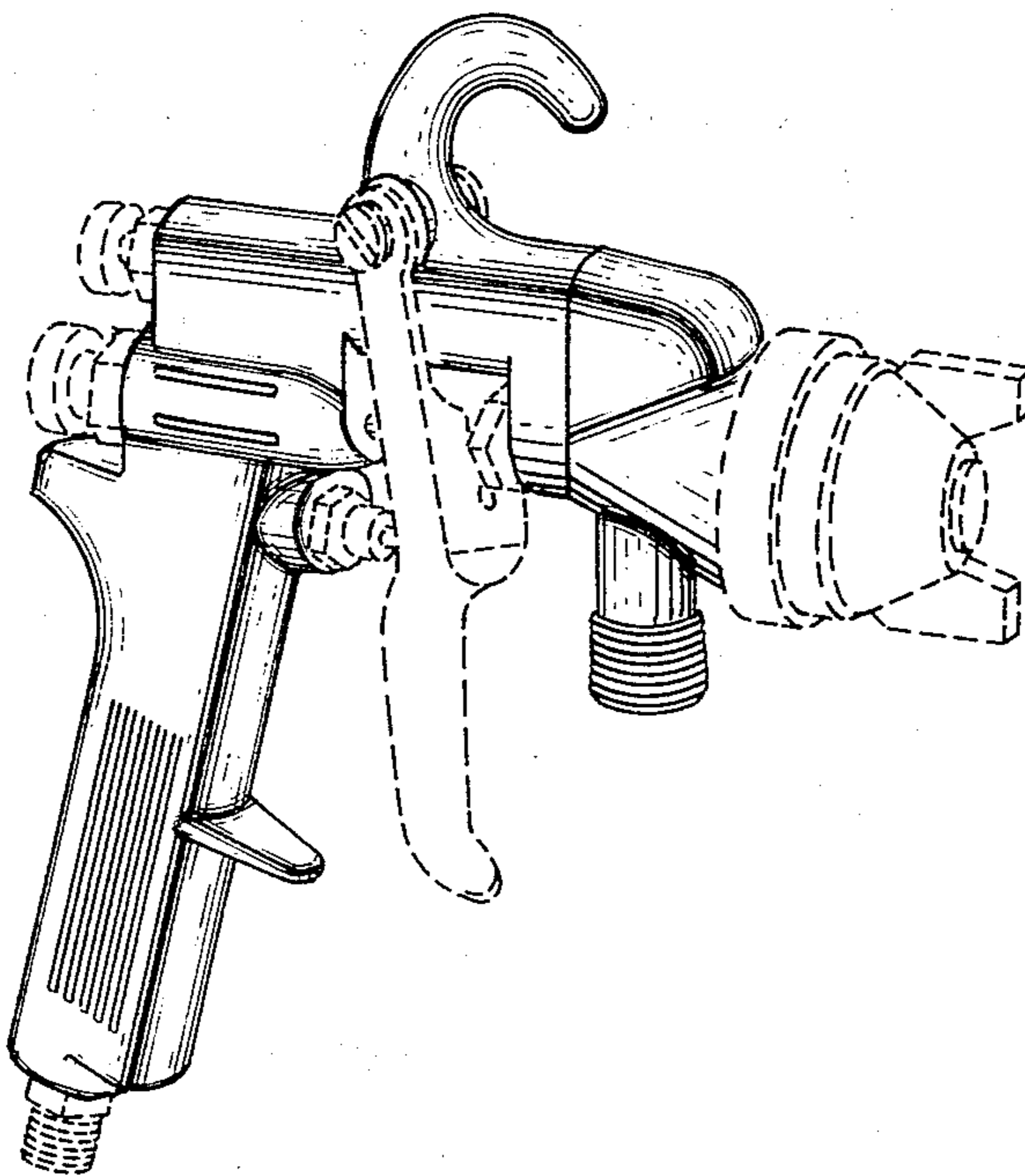
Primary Examiner—Wallace R. Burke
Assistant Examiner—Brian N. Vinson
Attorney, Agent, or Firm—Gary, Juettner & Pyle

[57] CLAIM

The ornamental design for a nozzle body and a housing for a hand spray gun, substantially as shown and described.

DESCRIPTION

FIG. 1 is a perspective view of a hand spray gun showing our new design; FIG. 2 is a side elevation view thereof; FIG. 3 is a front elevation view thereof; FIG. 4 is a back elevation view thereof; FIG. 5 is a top plan view thereof; and FIG. 6 is a bottom plan view thereof.



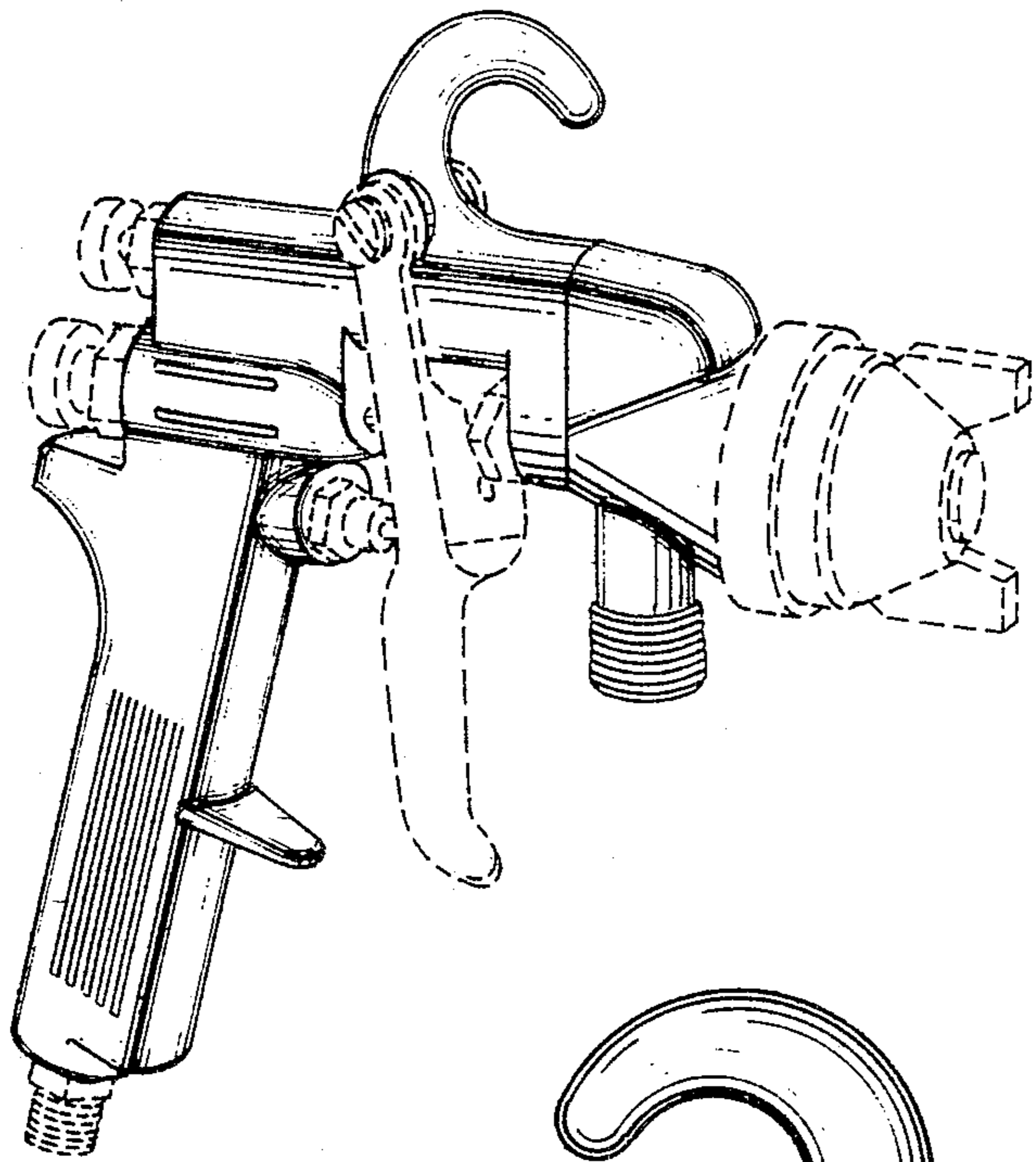


Fig. 1.

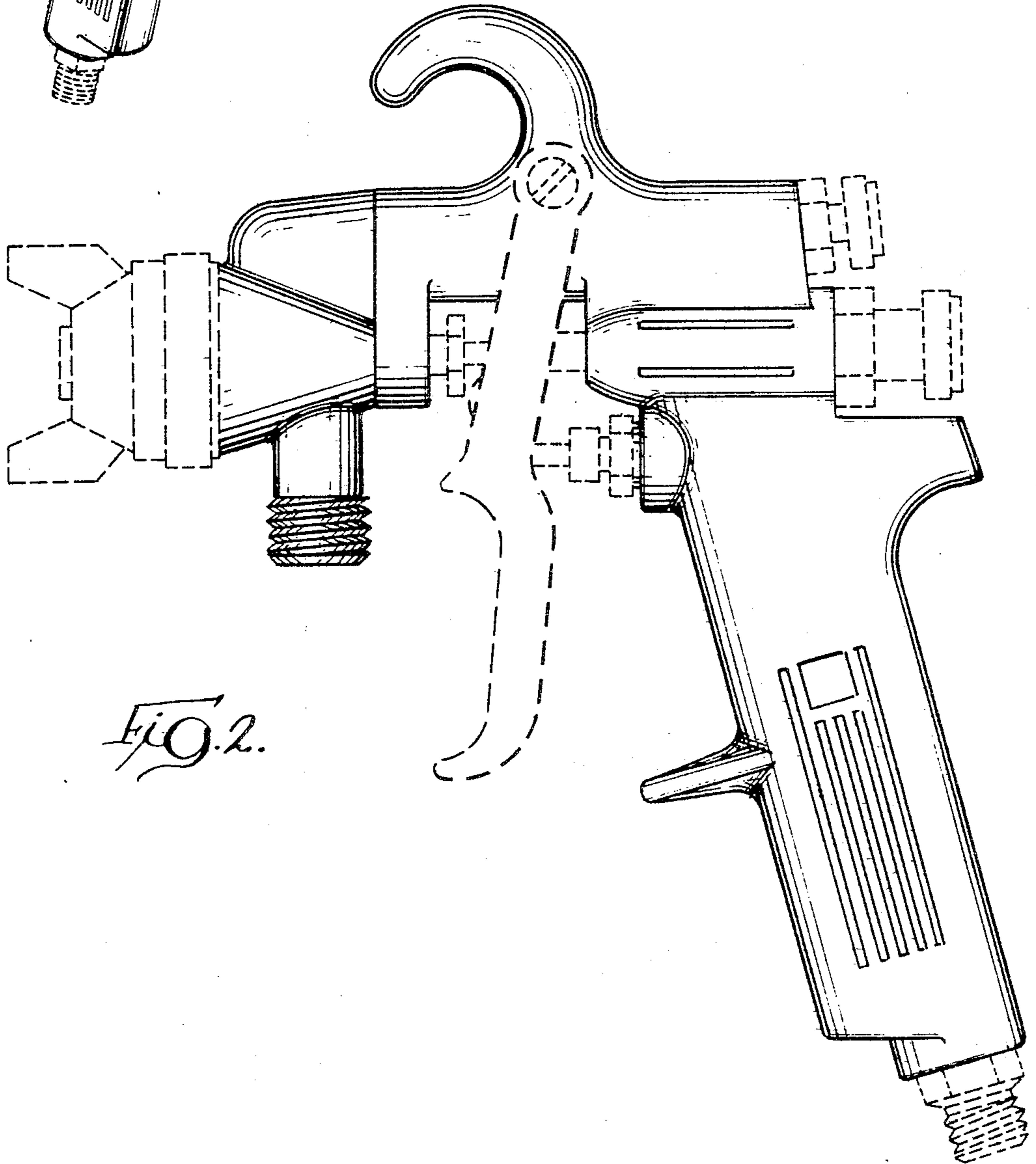


Fig. 2.

FIG. 3.

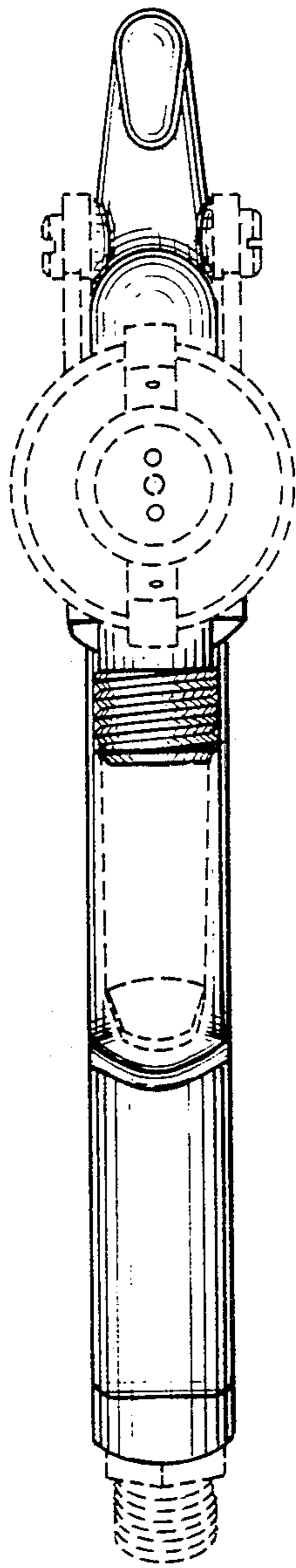


FIG. 4.

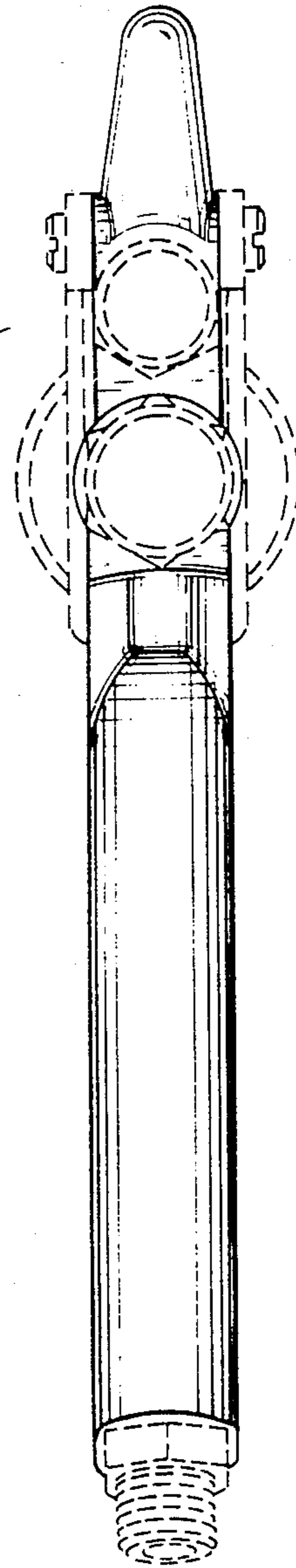


FIG. 5.

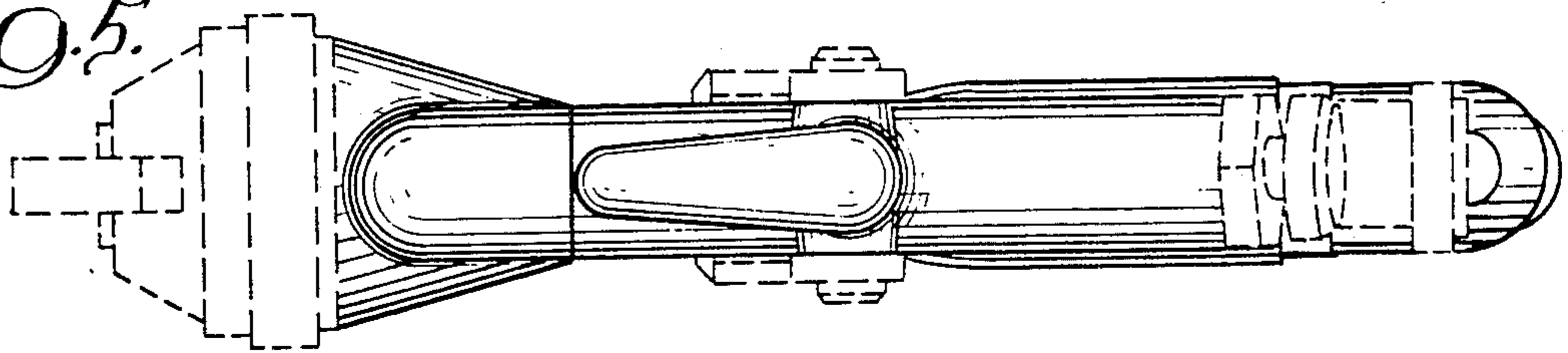


FIG. 6.

