

[54] NECK RING FOR A GAS CYLINDER

[75] Inventor: Joseph W. Edwards, Wayne, Pa.

[73] Assignee: MG Industries, Valley Forge, Pa.

[\*\*] Term: 14 Years

[21] Appl. No.: 637,961

[22] Filed: Aug. 6, 1984

[52] U.S. Cl. .... D23/2

[58] Field of Search ..... D23/2, 19-20, D23/36, 40, 41, 43, 47; 62/45, 47, 48, 50; 220/1 B, 3, 5 A, 200, 233, 256, 235, 319, 327, 85 P, DIG. 32, DIG. 33

[56] References Cited

U.S. PATENT DOCUMENTS

- D. 162,296 9/1949 Graham ..... D23/18
- D. 201,962 8/1965 Hammestahr ..... D23/2
- 3,673,028 6/1972 Pearson ..... 220/5 A

4,310,102 1/1982 Walter ..... 220/94 R X

OTHER PUBLICATIONS

Dimco Plastic Knob Catalogue,—Fluted Torque Knob #232 (1964), p. 8.

Primary Examiner—Wallace R. Burke

Assistant Examiner—Brian N. Vinson

Attorney, Agent, or Firm—William H. Eilberg

[57] CLAIM

The ornamental design for a neck ring for a gas cylinder, substantially as shown and described.

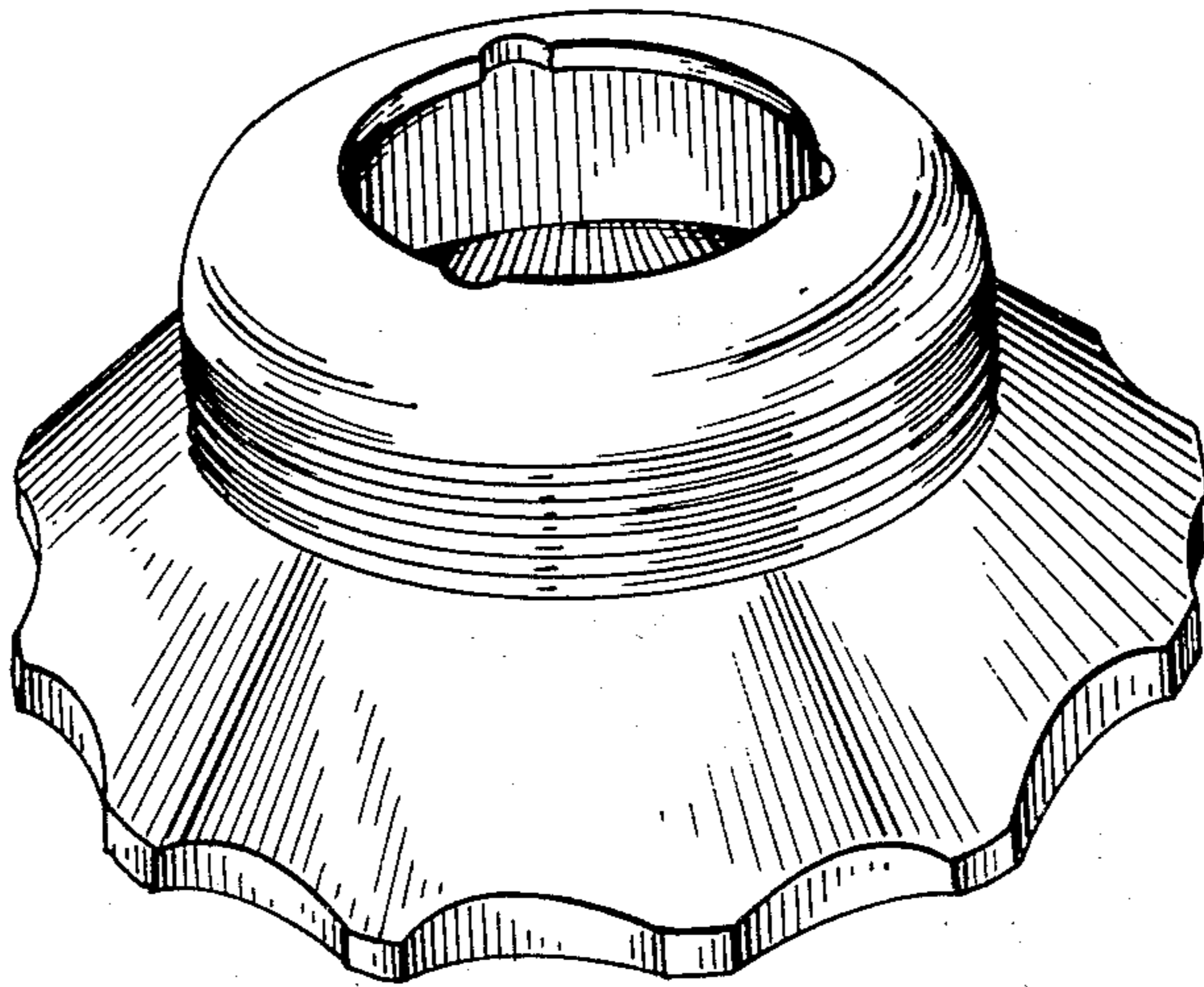
DESCRIPTION

FIG. 1 is a top perspective view of a neck ring for a gas cylinder showing my new design;

FIG. 2 is a front elevational view thereof, the rear and side elevations being identical in appearance;

FIG. 3 is a top plan view thereof; and

FIG. 4 is a bottom plan view thereof.



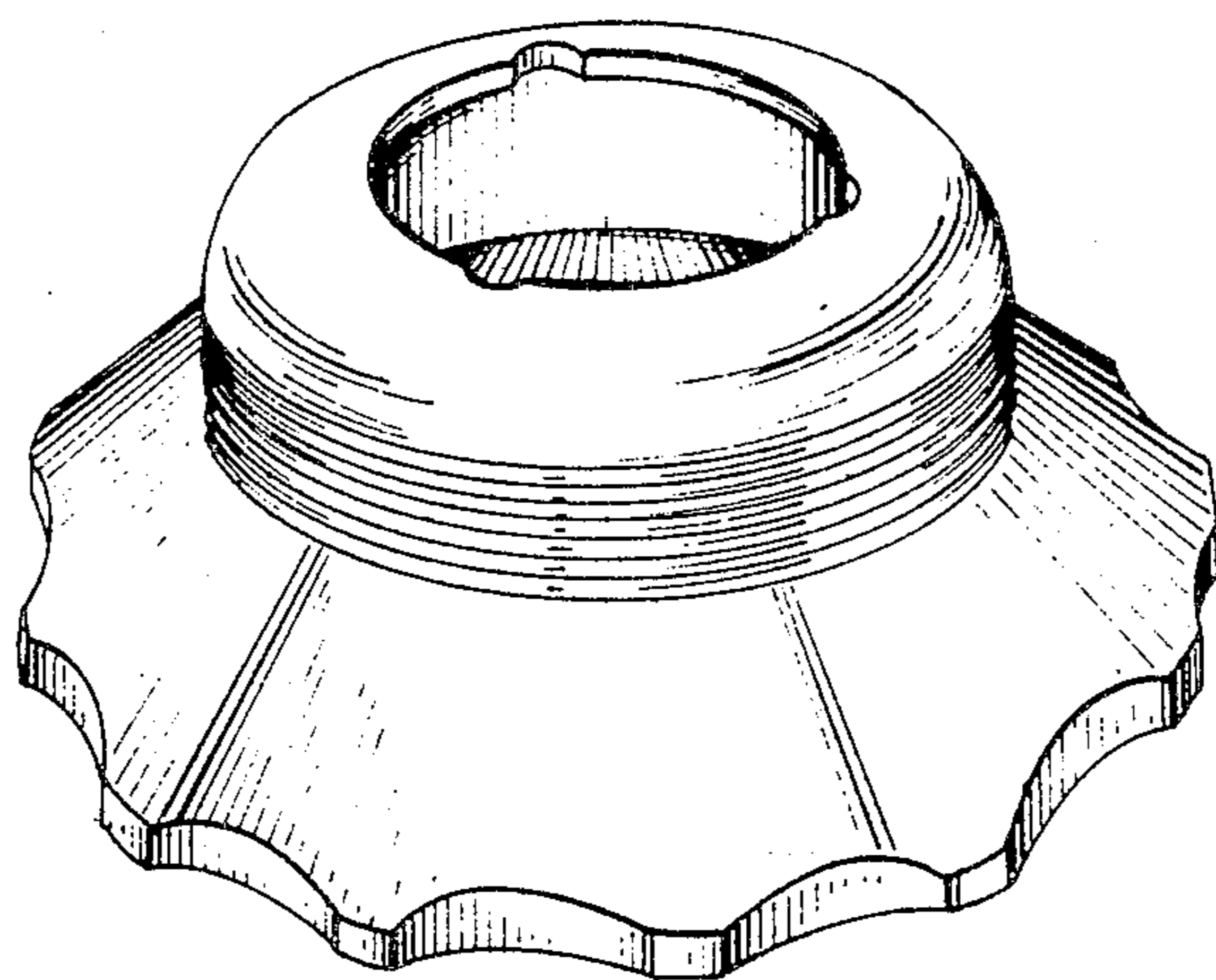


Fig. 1

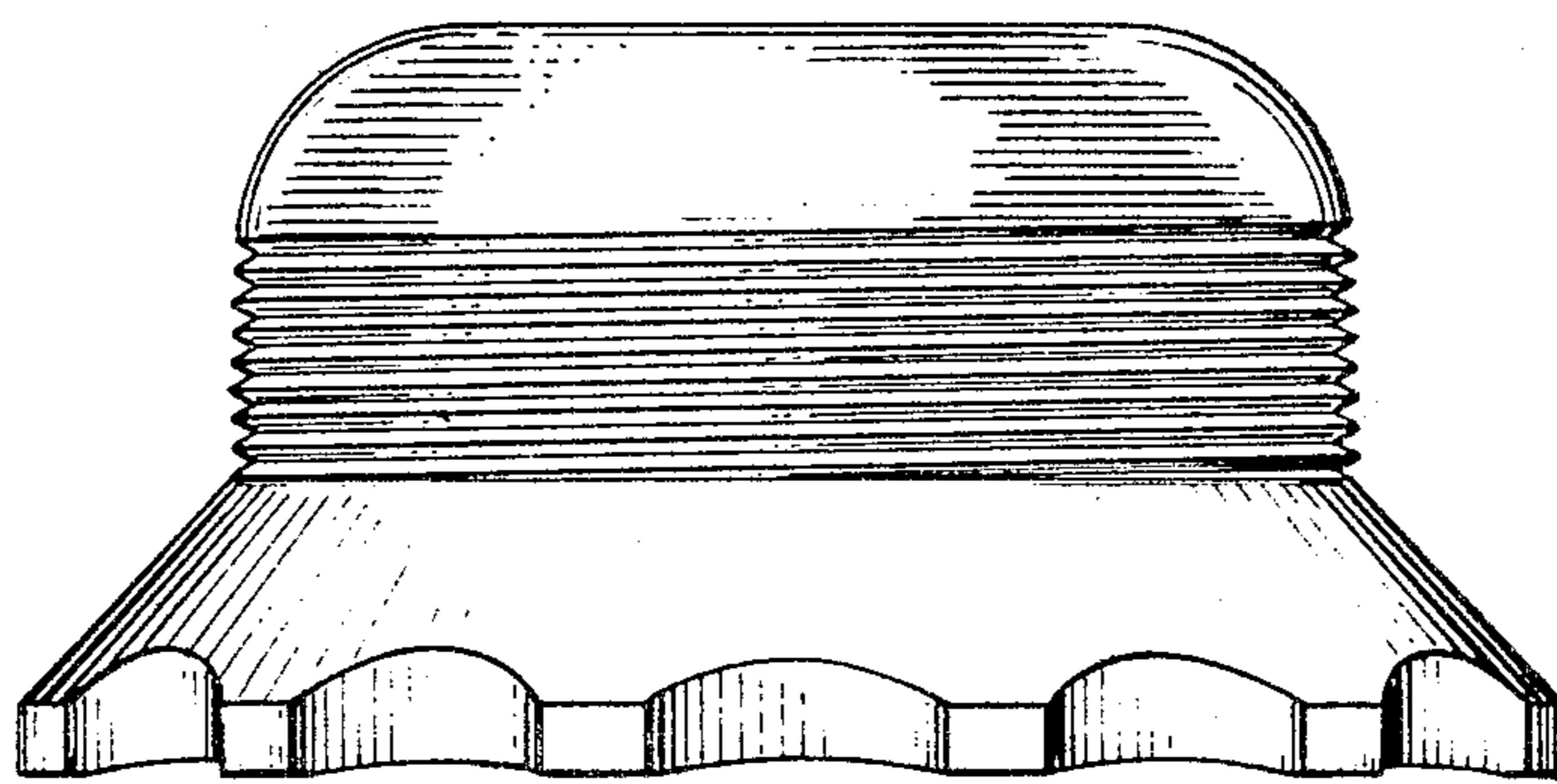


Fig. 2

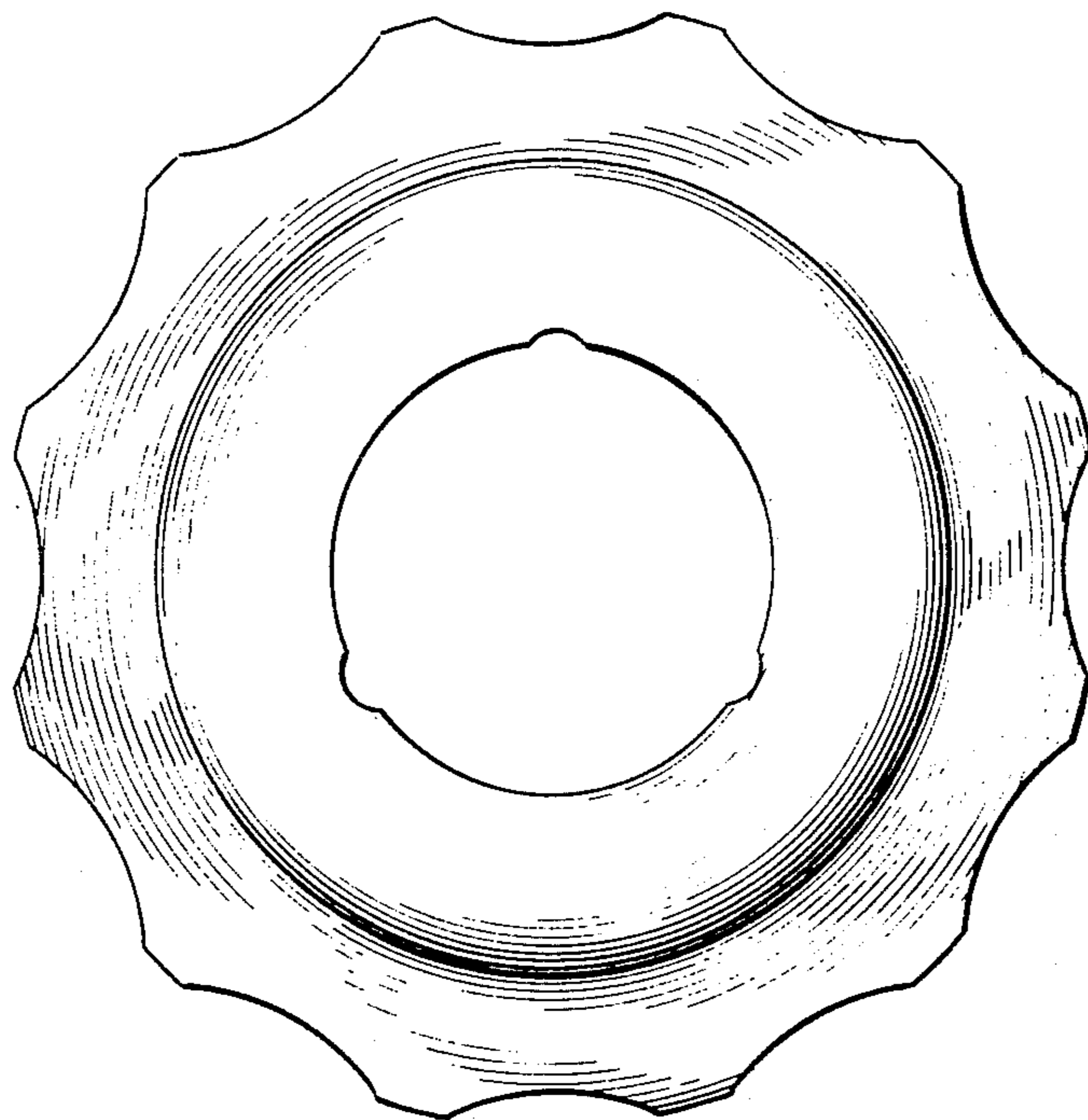


Fig. 3

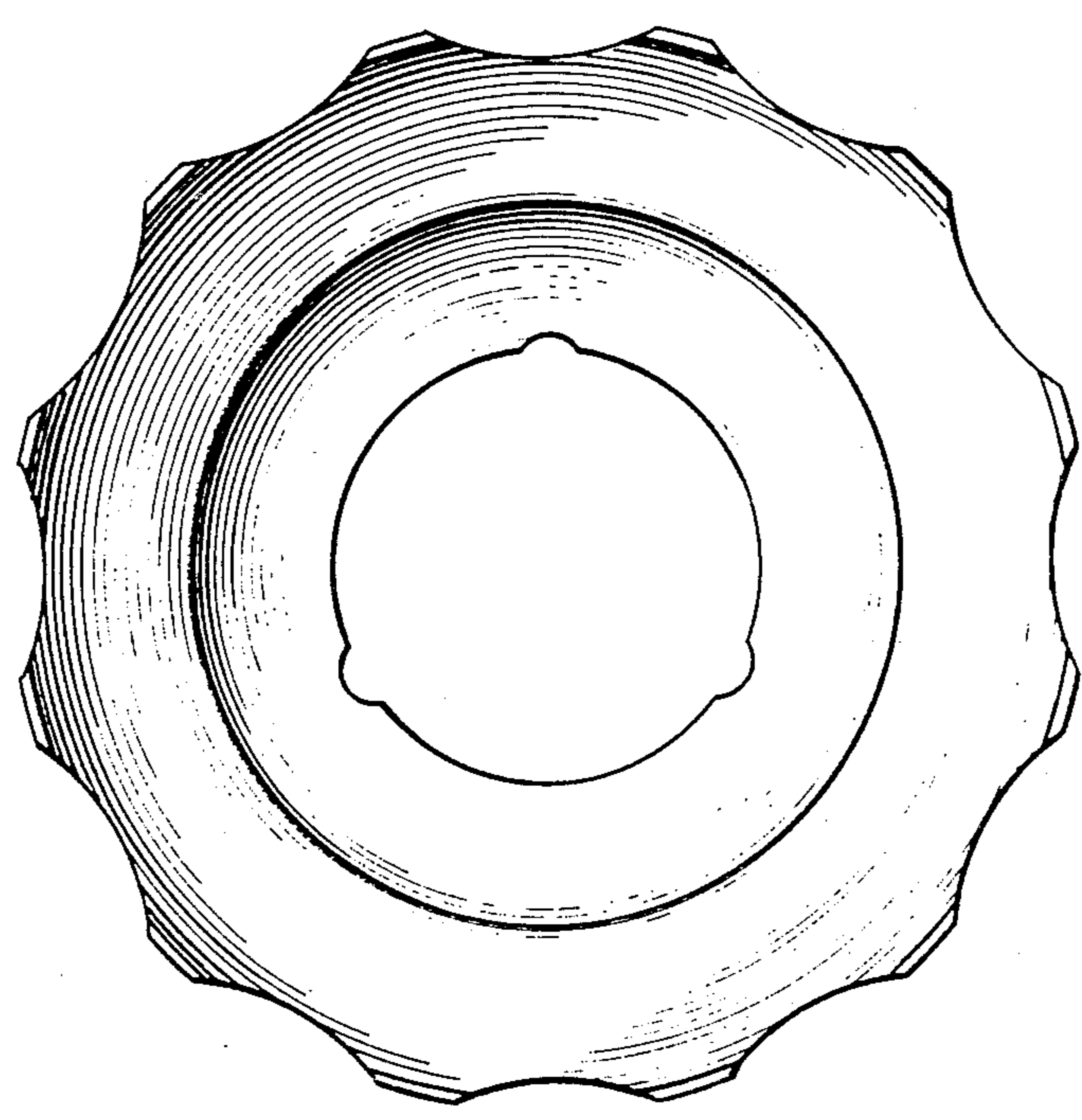


Fig. 4