

[54] SIDE DOOR CASING SPOOL FOR AN OILWELL CASING

[76] Inventors: Marion Rinaldo, 3378 C-1/2 Rd., Palisade, Colo. 81526; William J. Crouch, 5108 Alcova Rte., Box 9, Casper, Wyo. 82604

[**] Term: 14 Years

[21] Appl. No.: 488,063

[22] Filed: Apr. 25, 1983

[52] U.S. Cl. D23/1; D15/21; D23/40

[58] Field of Search D15/10, 21, 199; 166/75 R, 242; 285/121; D23/1, 40, 43, 44

[56] References Cited

U.S. PATENT DOCUMENTS

- D. 34,032 2/1901 Gates D15/21
- D. 205,916 10/1966 Pelsue D23/1

- D. 208,388 8/1967 Graham D23/43
- D. 240,428 7/1976 Hoffman D23/40
- D. 245,928 9/1977 Frafjord D23/1 X
- D. 254,266 2/1980 Tableriou D23/40
- 1,533,404 4/1925 Green 166/75

Primary Examiner—James R. Largen
Attorney, Agent, or Firm—Edwin L. Spangler, Jr.

[57] CLAIM

The ornamental design for a side door casing spool for an oilwell casing, as shown and described.

DESCRIPTION

FIG. 1 is a perspective view taken from the top, front and left side of a side door casing spool for an oilwell casing showing our new design;
 FIG. 2 is a front elevational view thereof, the rear being the same as the front shown;
 FIG. 3 is a left side elevational view thereof, the right side being the same as the left side shown; and,
 FIG. 4 is a top plan view thereof, the bottom being the same as the top shown.

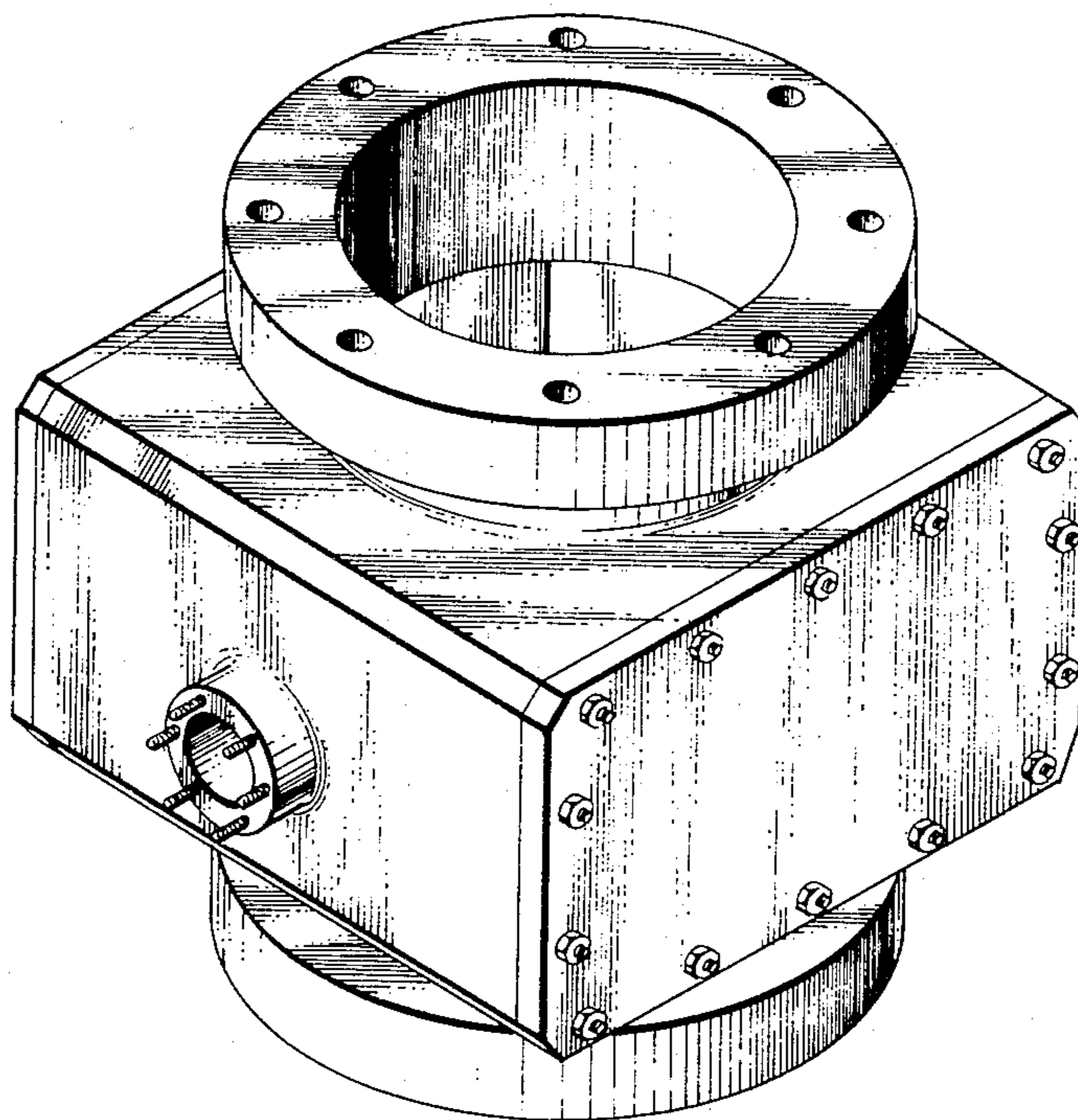


Fig. 1

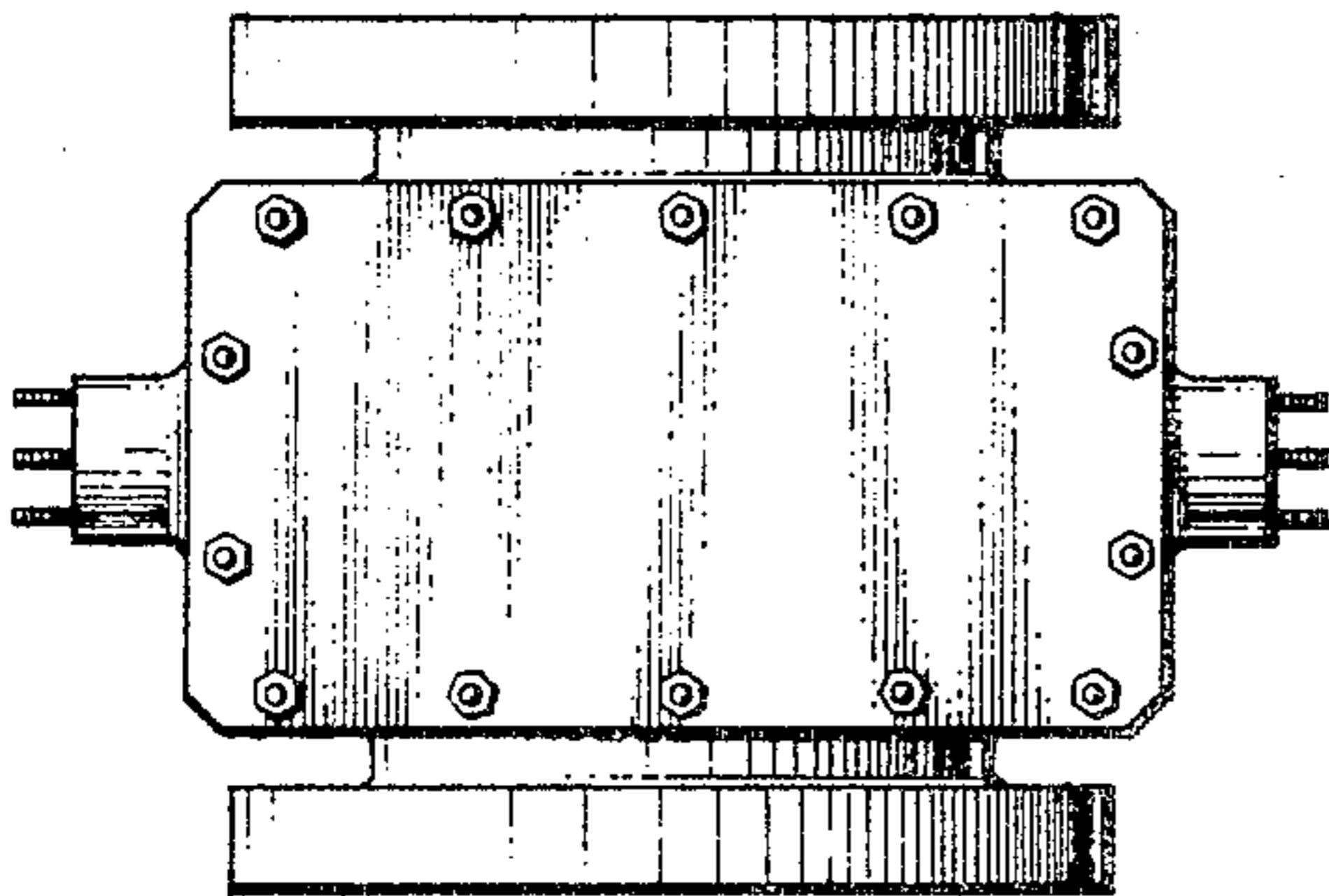
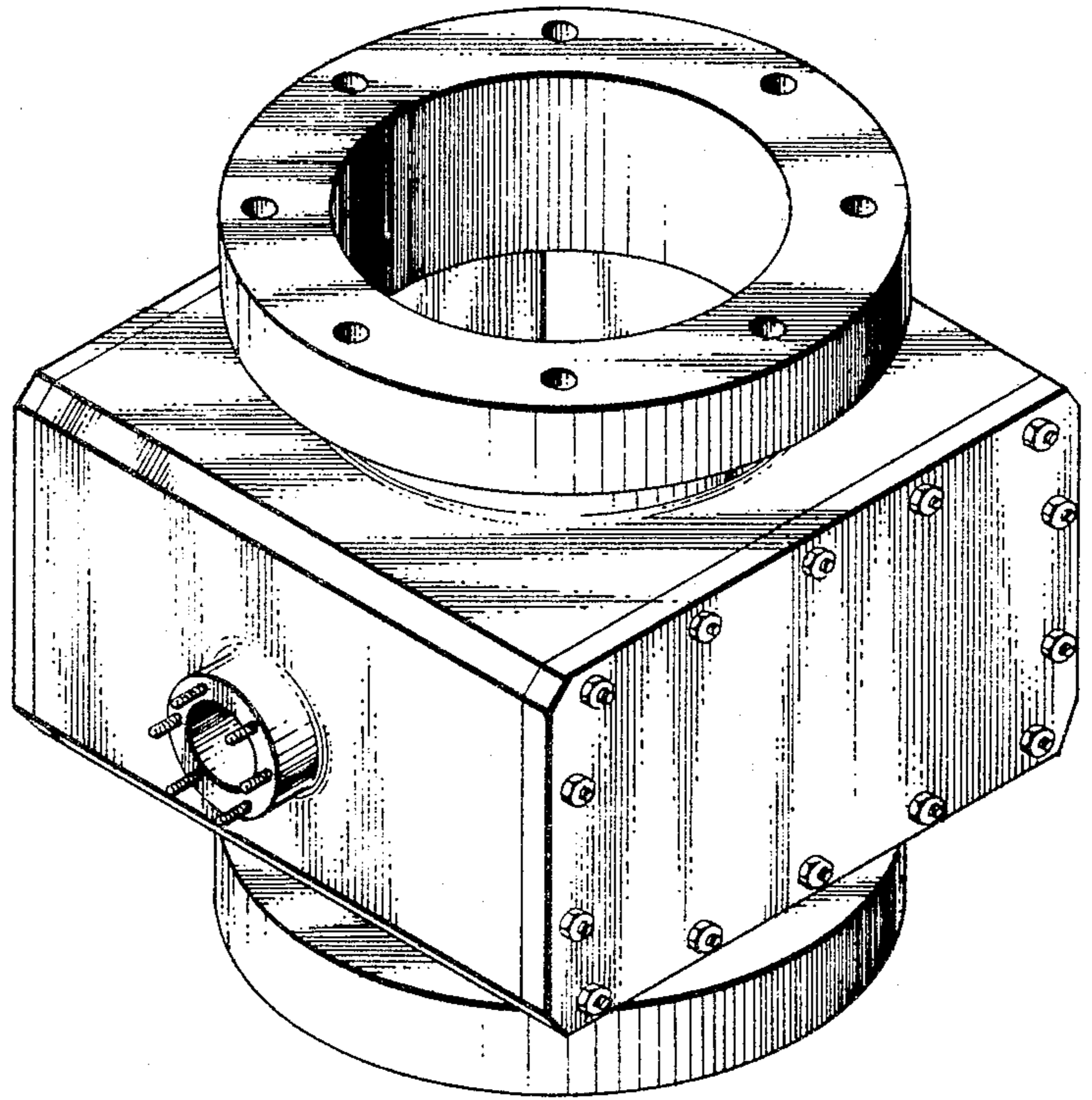


Fig. 2

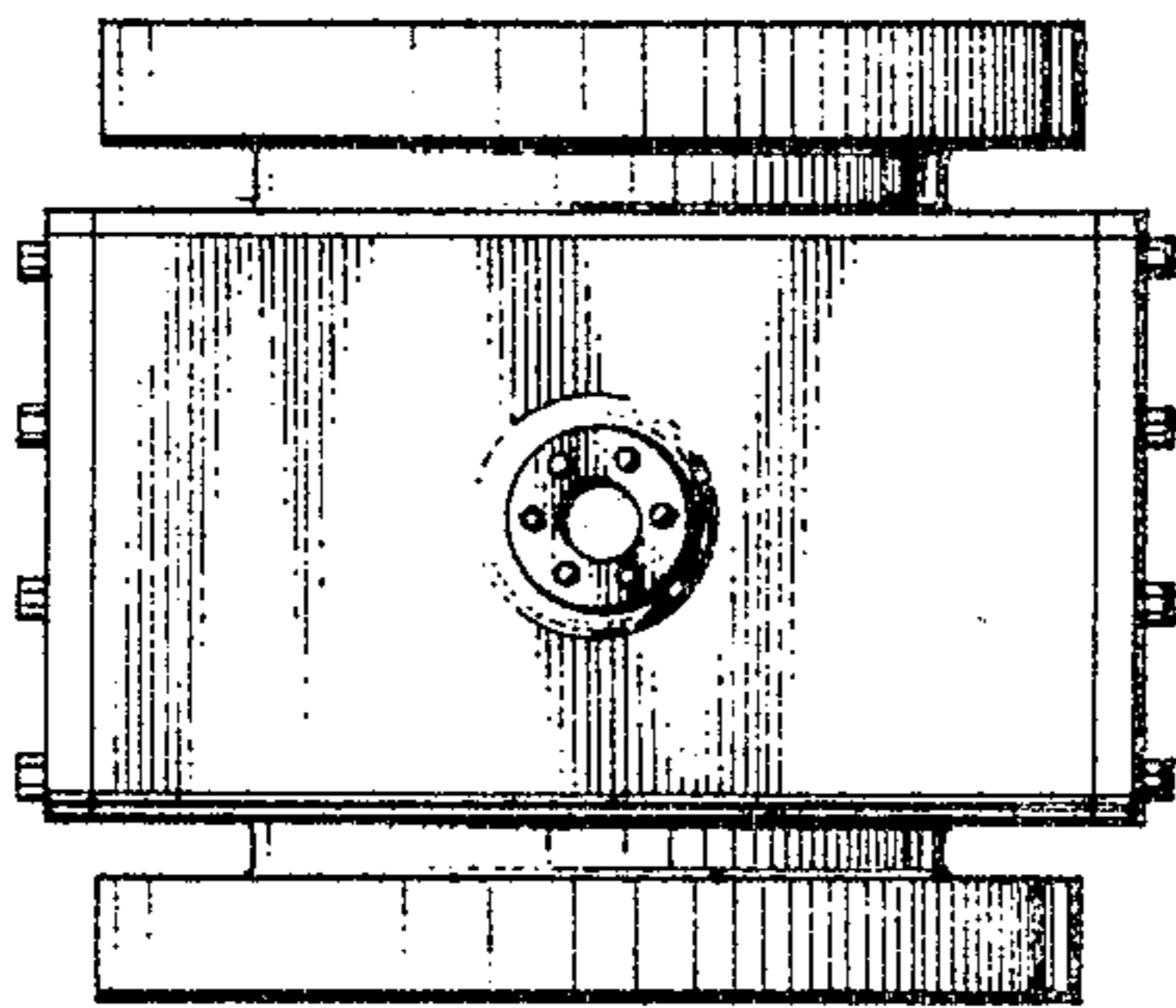


Fig. 3

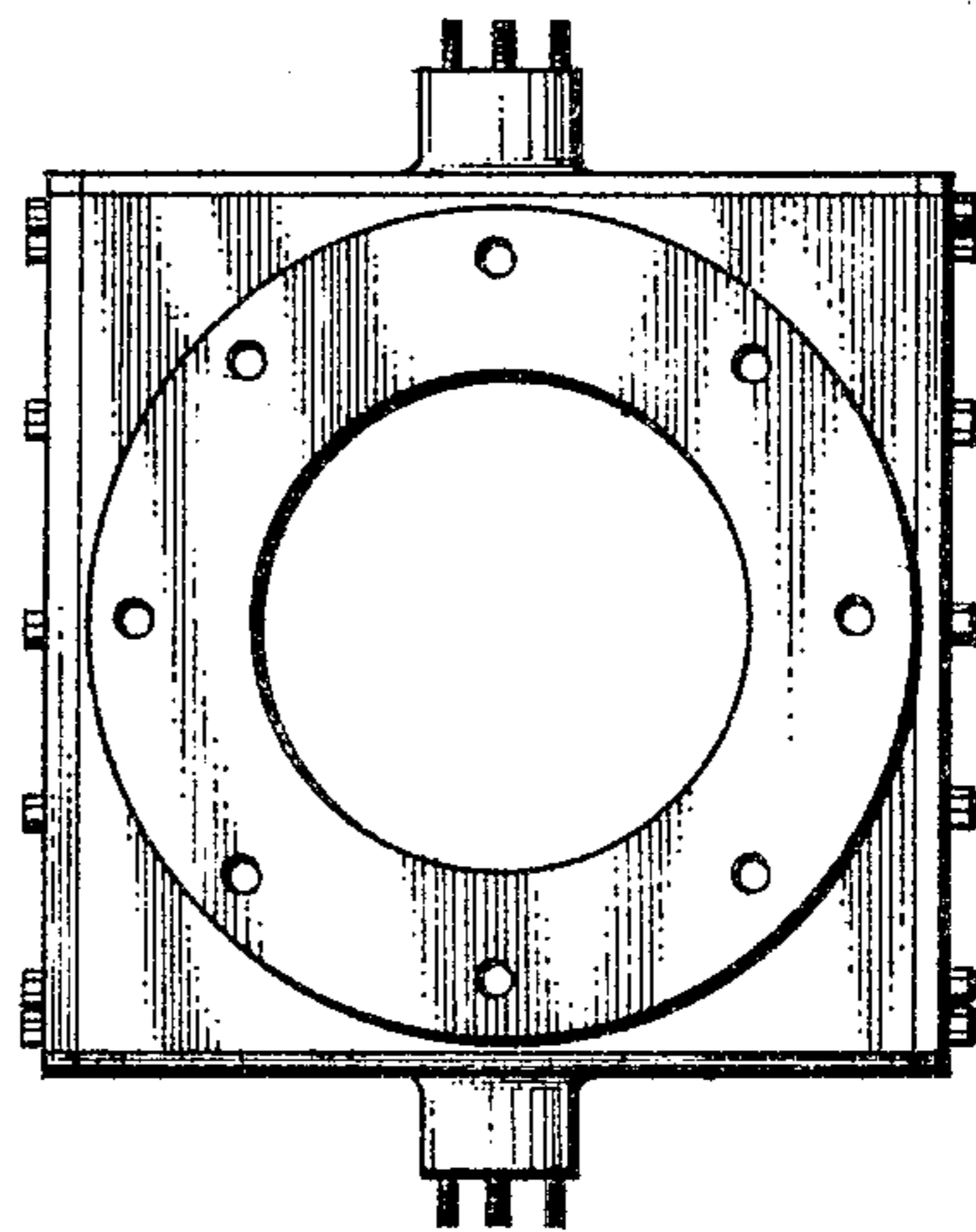


Fig. 4