

[54] FLY TYING VISE

[75] Inventors: Satoru Kojima, Nagano; Kouji Koshida, Saitama, both of Japan

[73] Assignees: Smith, Ltd.; Machine Engineering Co., Ltd.; Coret & Company, Ltd., all of Japan

[**] Term: 14 Years

[21] Appl. No.: 610,915

[22] Filed: May 16, 1984

[52] U.S. Cl. D22/149

[58] Field of Search D22/22, 31, 99; 269/907, 236, 131, 75, 69; 43/57.1

3,945,631 3/1976 Sander 269/236 X

4,039,178 8/1977 Odames 269/236 X

4,322,065 3/1982 Doiron 269/907 X

Primary Examiner—A. Hugo Word
 Attorney, Agent, or Firm—Sughrue, Mion, Zinn, Macpeak, and Seas

[57] CLAIM

The ornamental design for a fly tying vise, as shown.

DESCRIPTION

FIG. 1 is a front, top and right side perspective view of a fly tying vise showing our new design;
 FIG. 2 is a left side elevational view thereof;
 FIG. 3 is a front elevational view thereof;
 FIG. 4 is a top plan view thereof;
 FIG. 5 is a right side elevational view thereof;
 FIG. 6 is a rear elevational view thereof; and
 FIG. 7 is a bottom plan view thereof.

[56] References Cited

U.S. PATENT DOCUMENTS

D. 263,113 2/1982 Gehrke D22/31 X

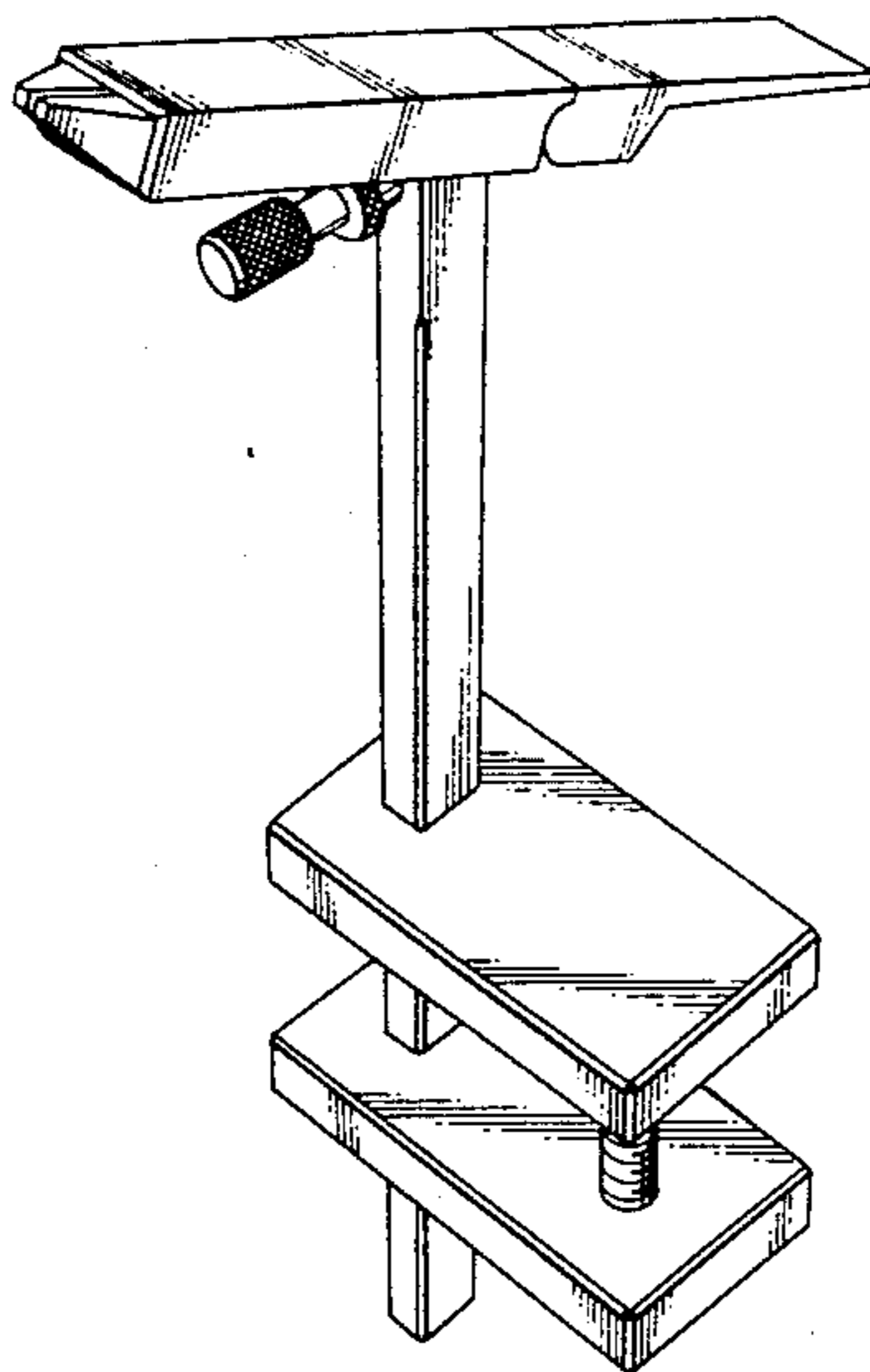


Fig. 1

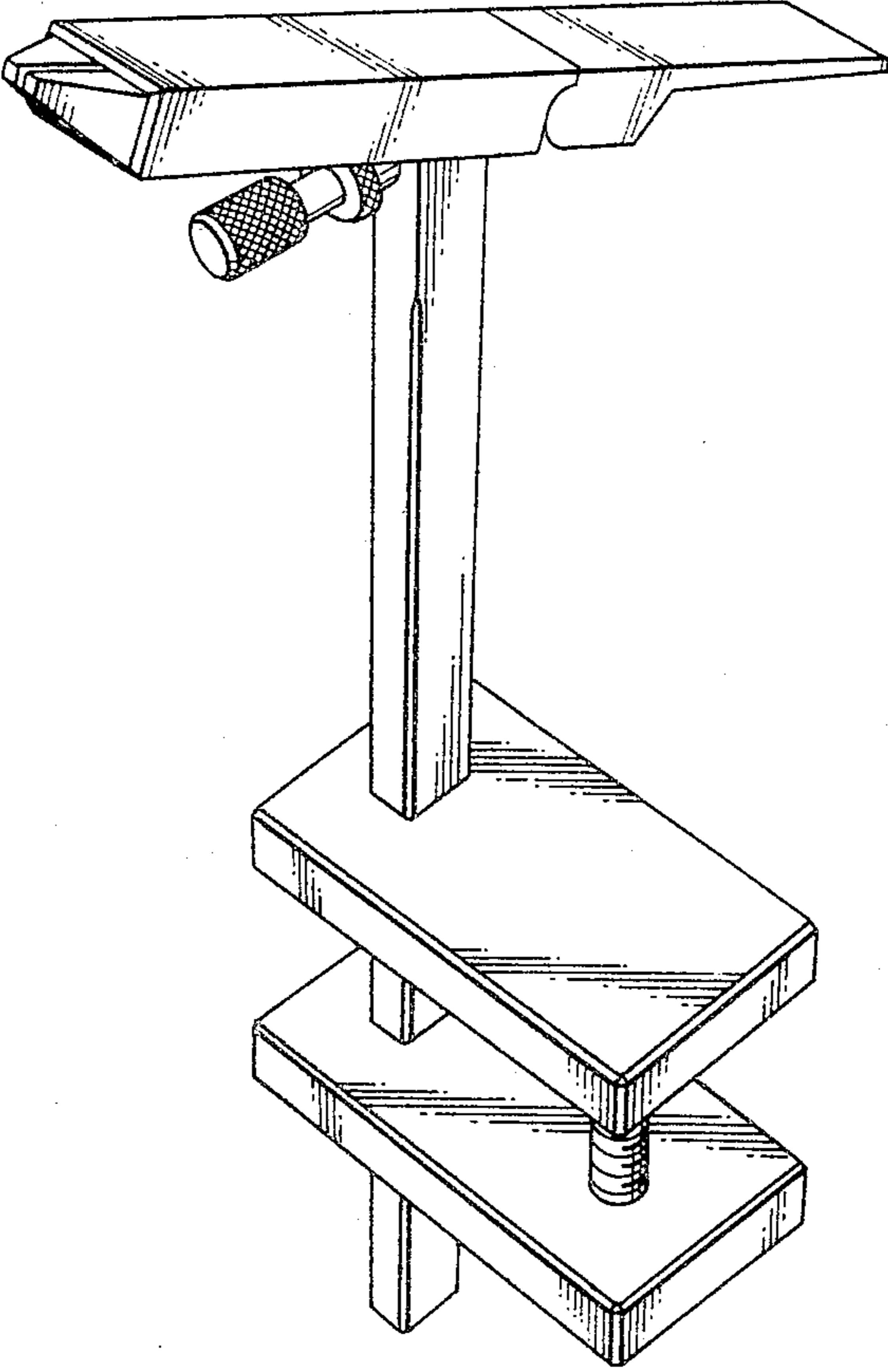


Fig. 2

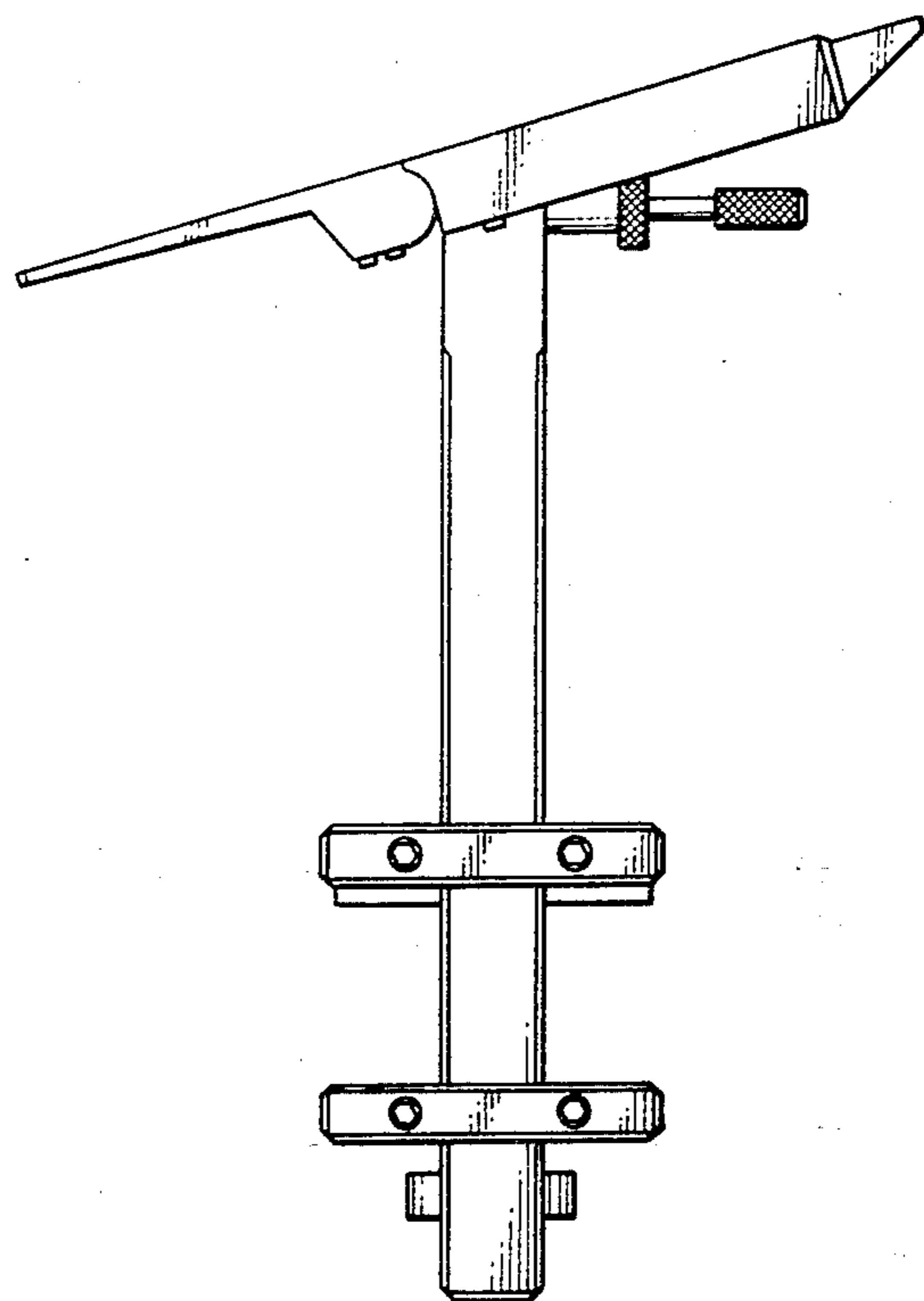


Fig. 3

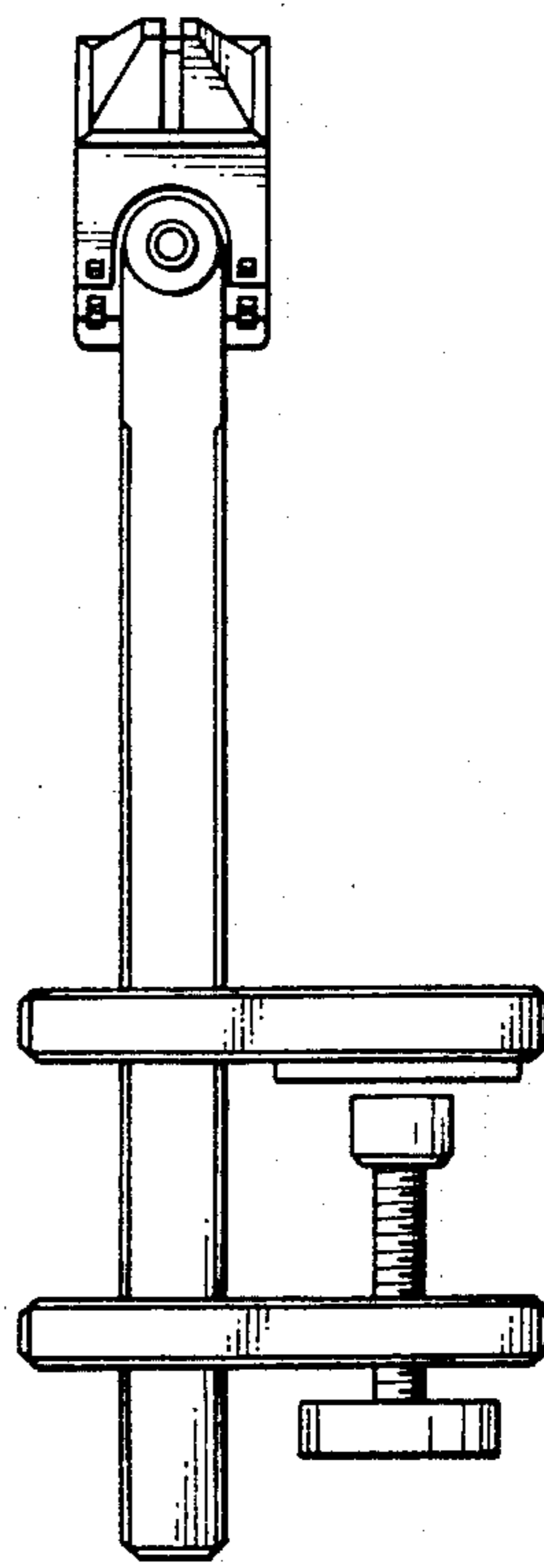


Fig. 4

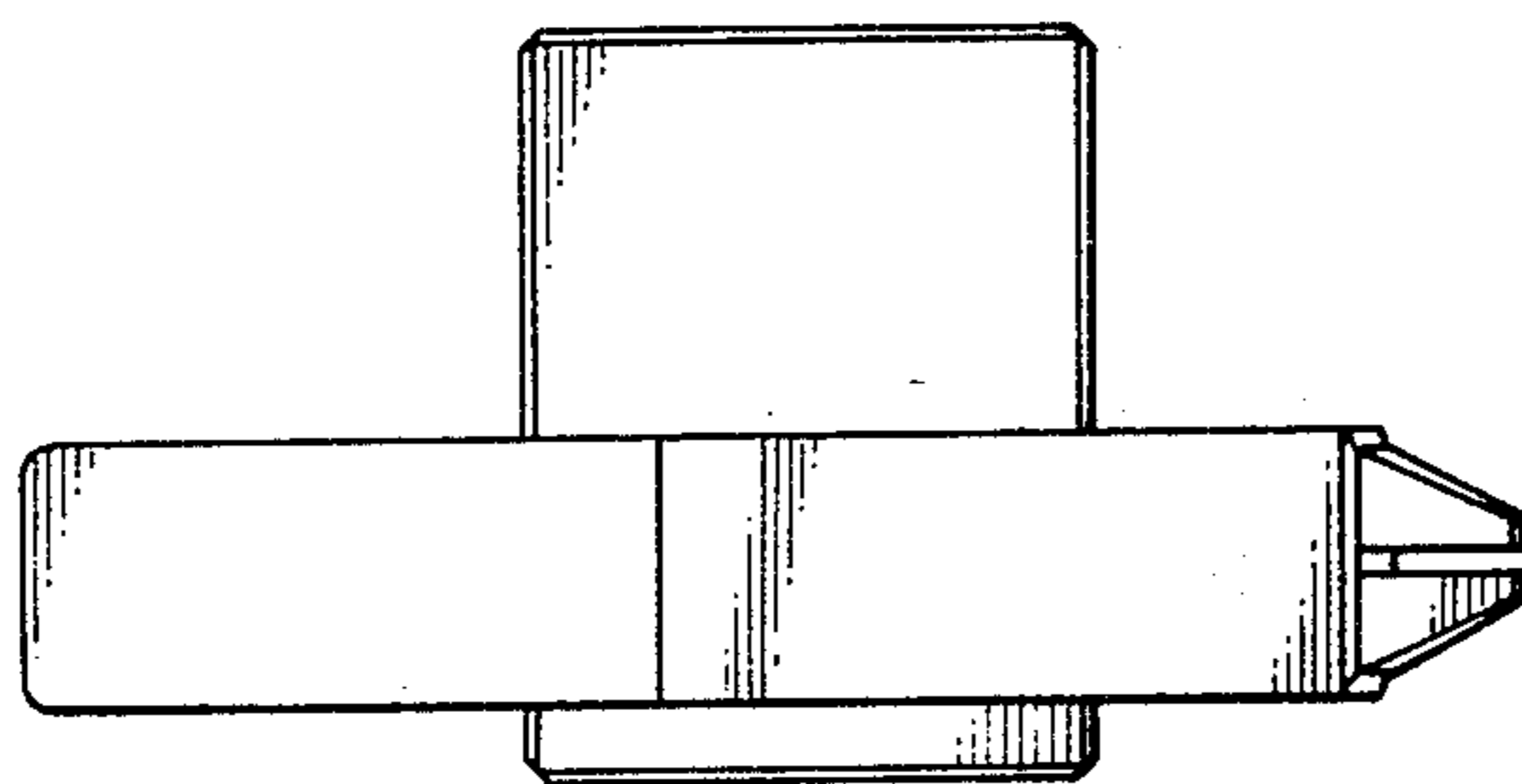


Fig. 5

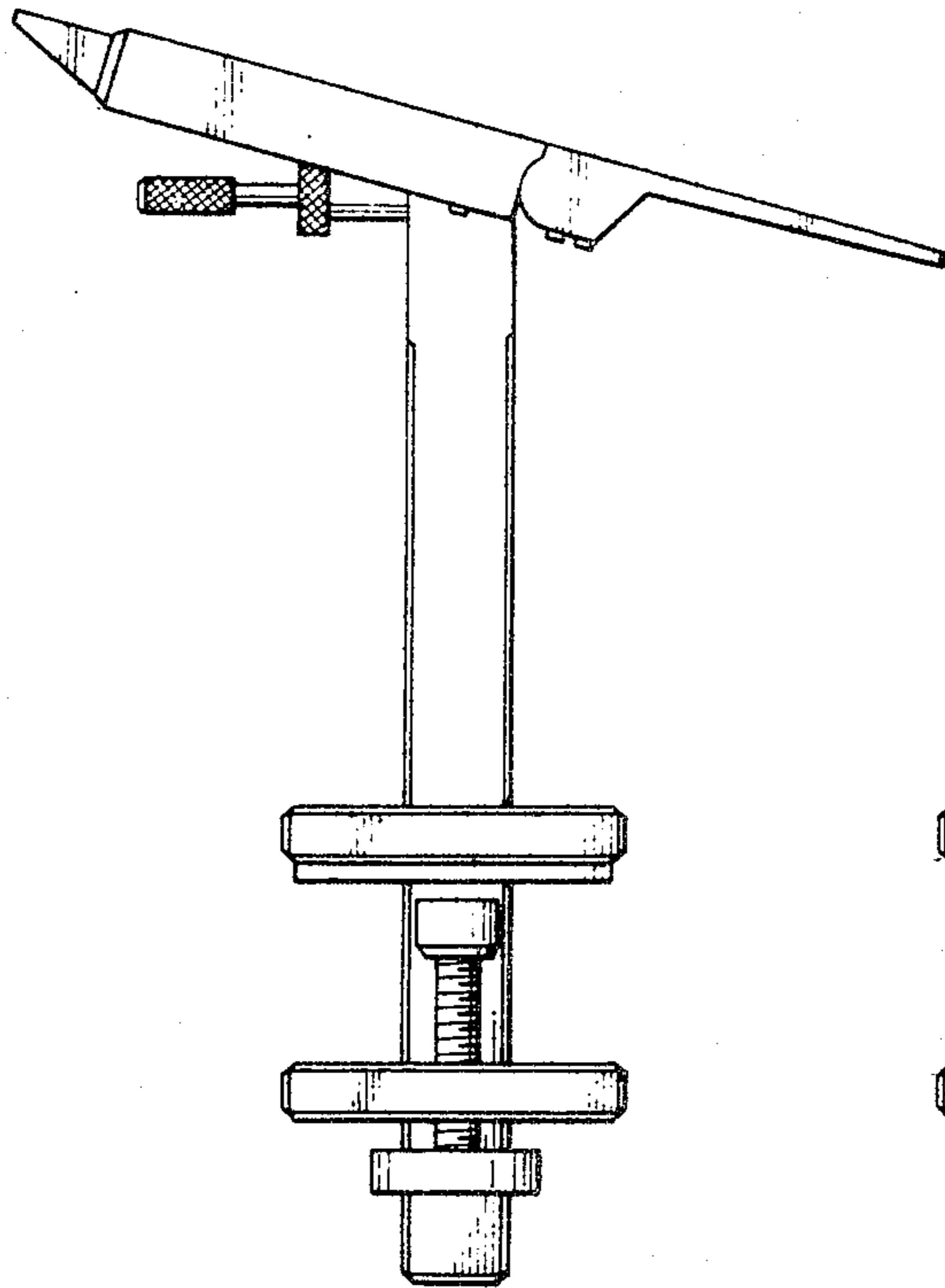


Fig. 6

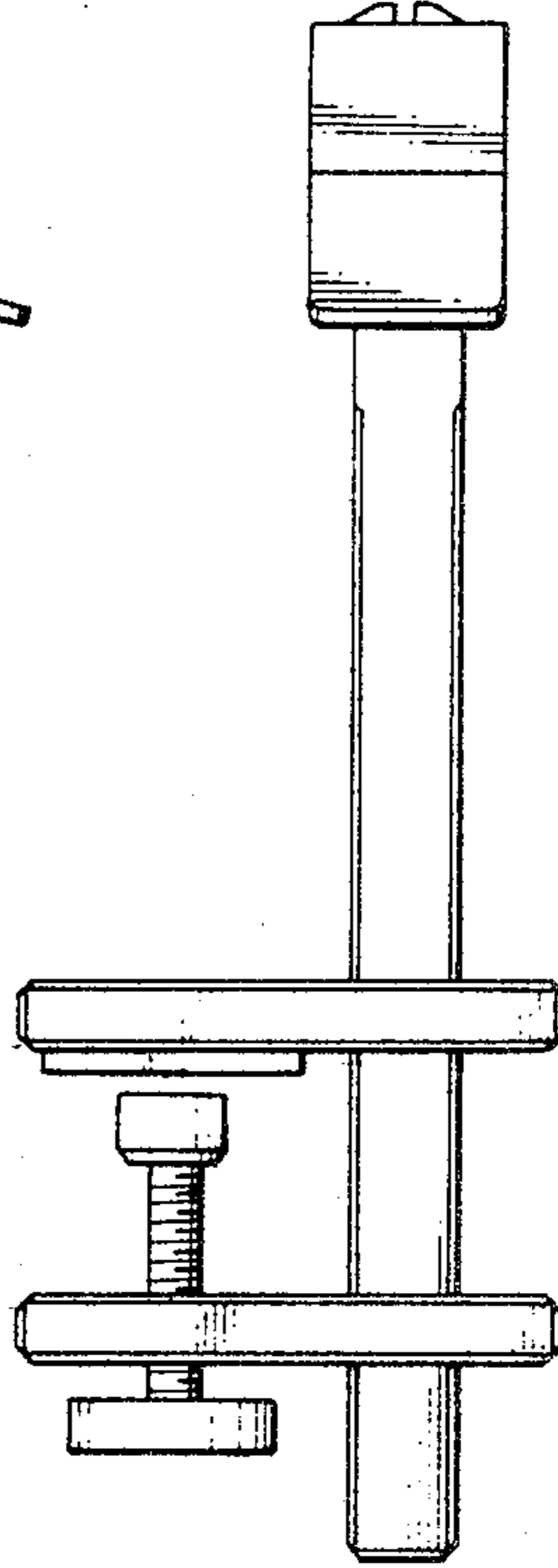


Fig. 7

