

[54] PLAYGROUND MERRY-GO-ROUND

Attorney, Agent, or Firm—C. A. Phillips

[76] Inventors: David W. McNutt, P.O. Box 302;  
Denny W. Morris, P.O. Box 342, both  
of Falkville, Ala. 35622

[57] CLAIM

The ornamental design for a playground merry-go-round, substantially as shown and described.

[\*\*] Term: 14 Years

DESCRIPTION

[21] Appl. No.: 597,725

FIG. 1 is a pictorial view of our new design for a playground merry-go-round as seen from a point which is above and to one side of the design.

[22] Filed: Apr. 6, 1984

FIG. 2 is a view, partially broken away, as seen along lines 2—2 and partly in section.

[52] U.S. Cl. .... D21/249

[58] Field of Search ..... D21/249; D12/107;  
272/33 B

FIG. 3 is a view, partially broken away, as seen along lines 3—3, and particularly illustrating a portion of bottom of my new design. The balance of the bottom of our new design is plain and unornamented.

[56] References Cited

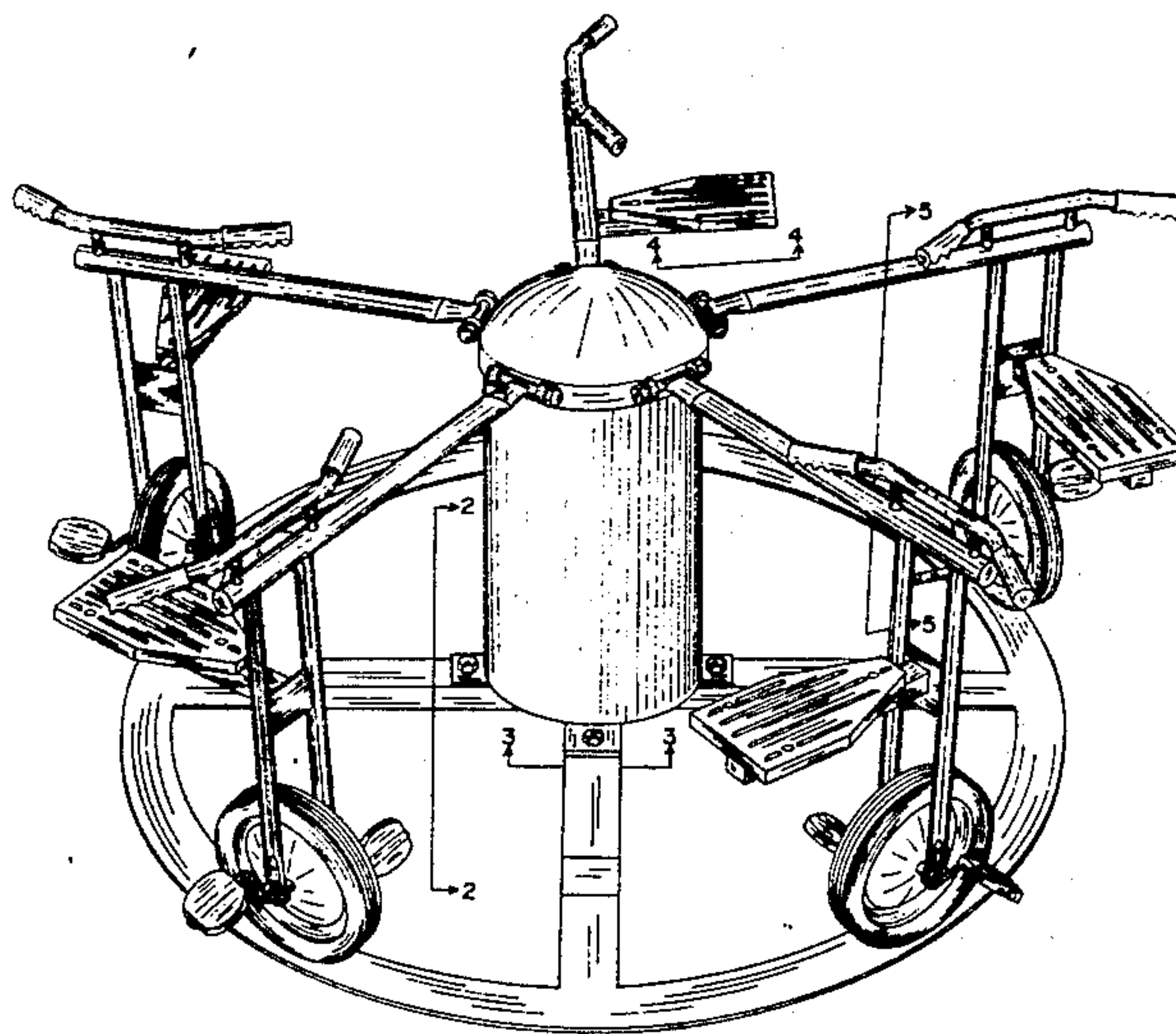
FOREIGN PATENT DOCUMENTS

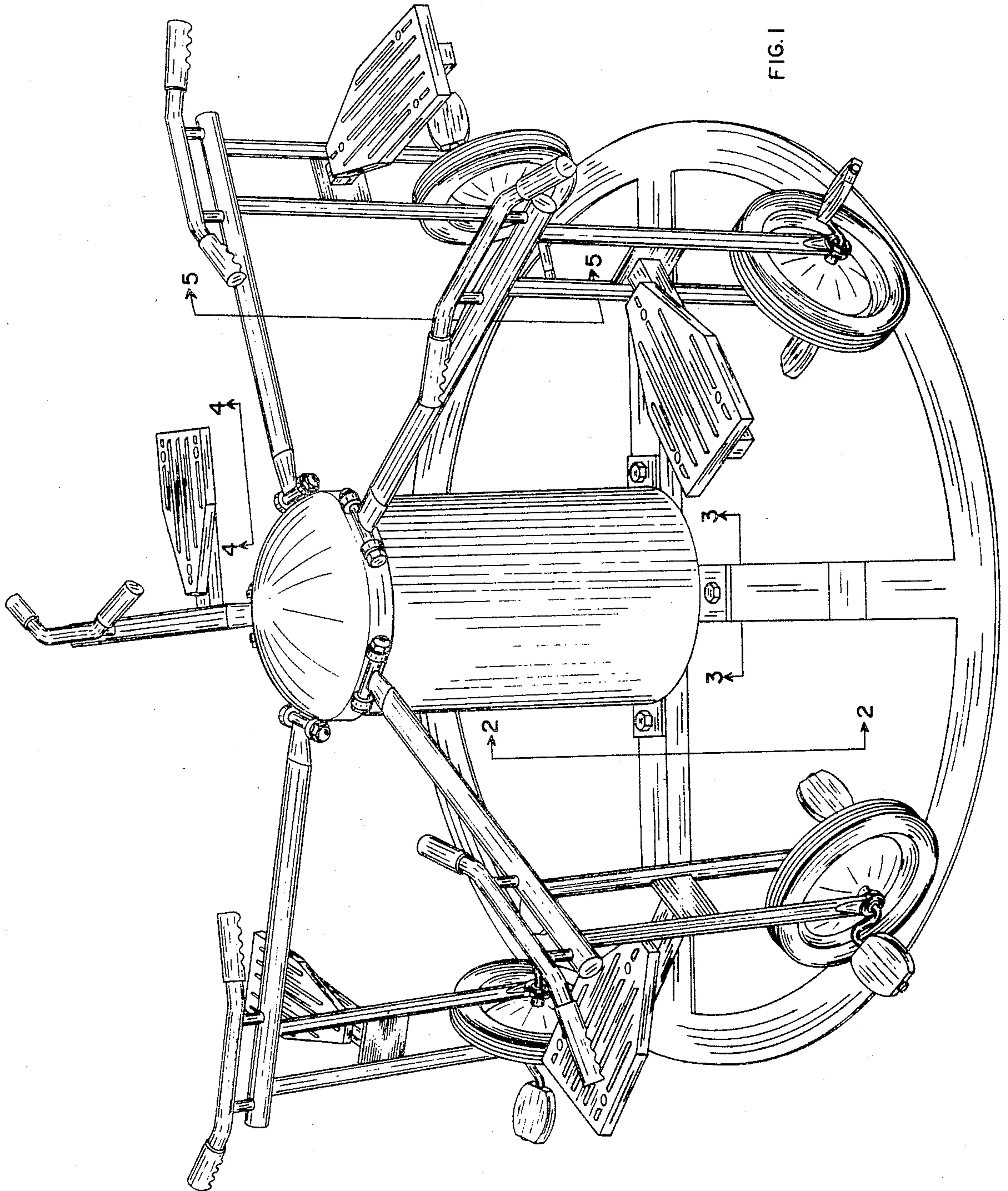
- 398412 3/1966 Switzerland ..... 272/33 B
- 572270 8/1977 U.S.S.R. .... 272/33 B

FIG. 4 is a view, partially broken away, as seen along lines 4—4 of FIG. 1.

FIG. 5 is a view, partially broken away, as seen along lines 5—5 of FIG. 1.

Primary Examiner—Melvin B. Feifer





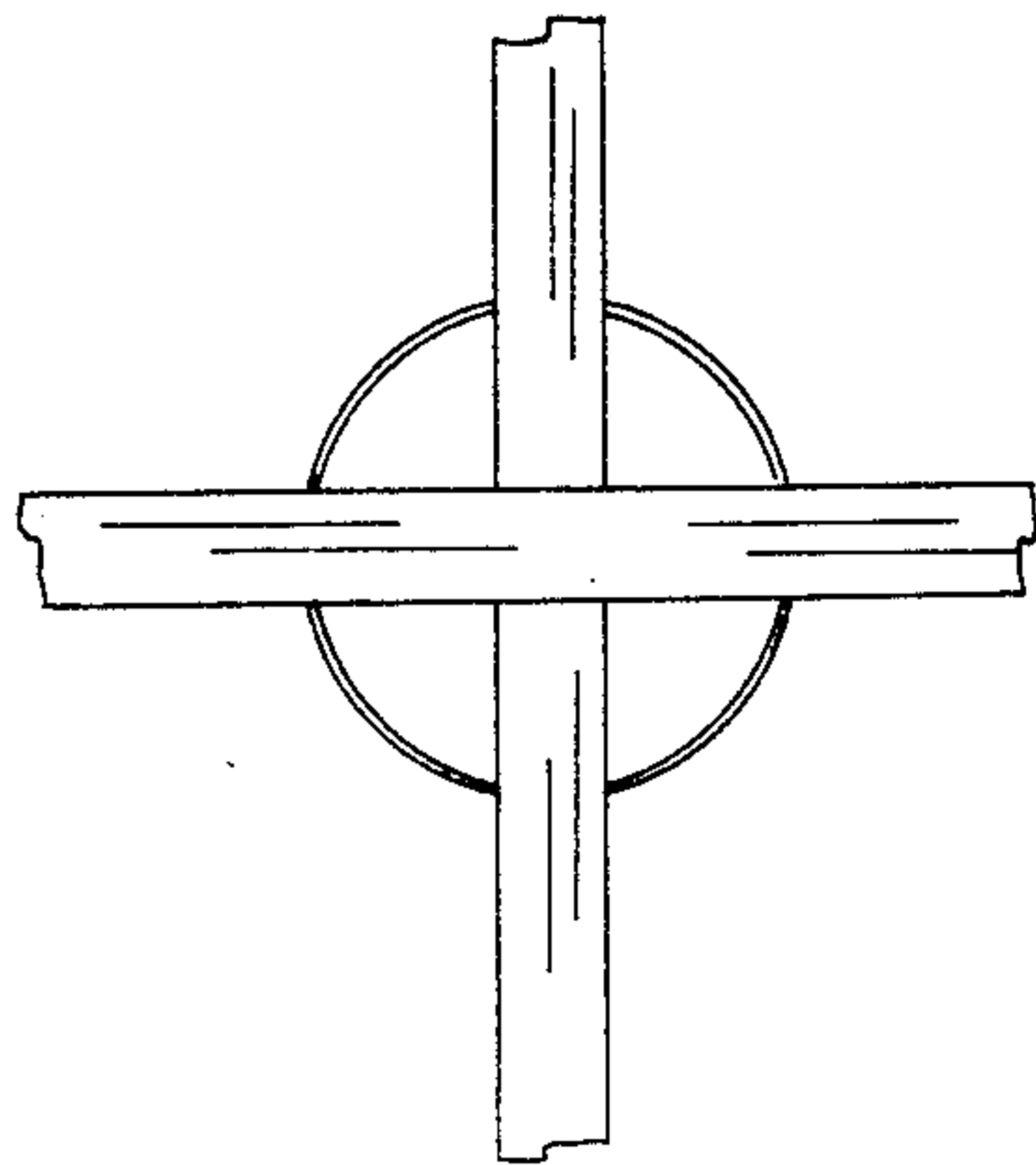


FIG. 3

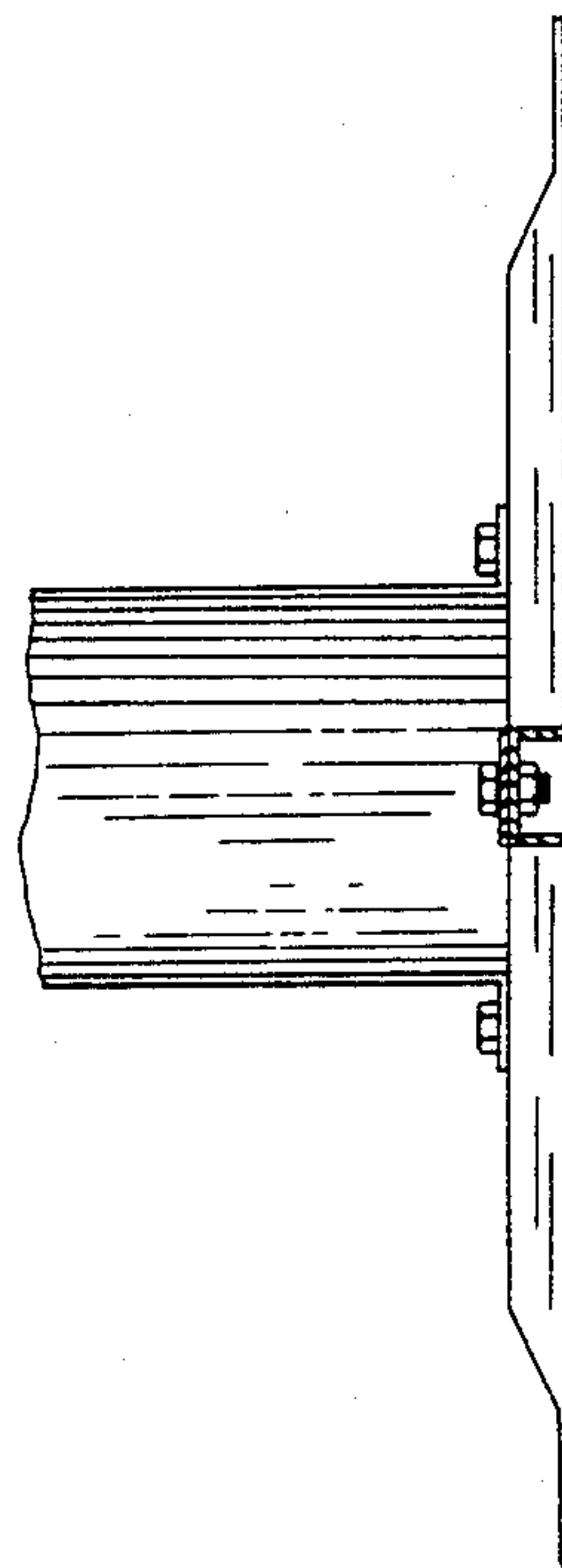


FIG. 2

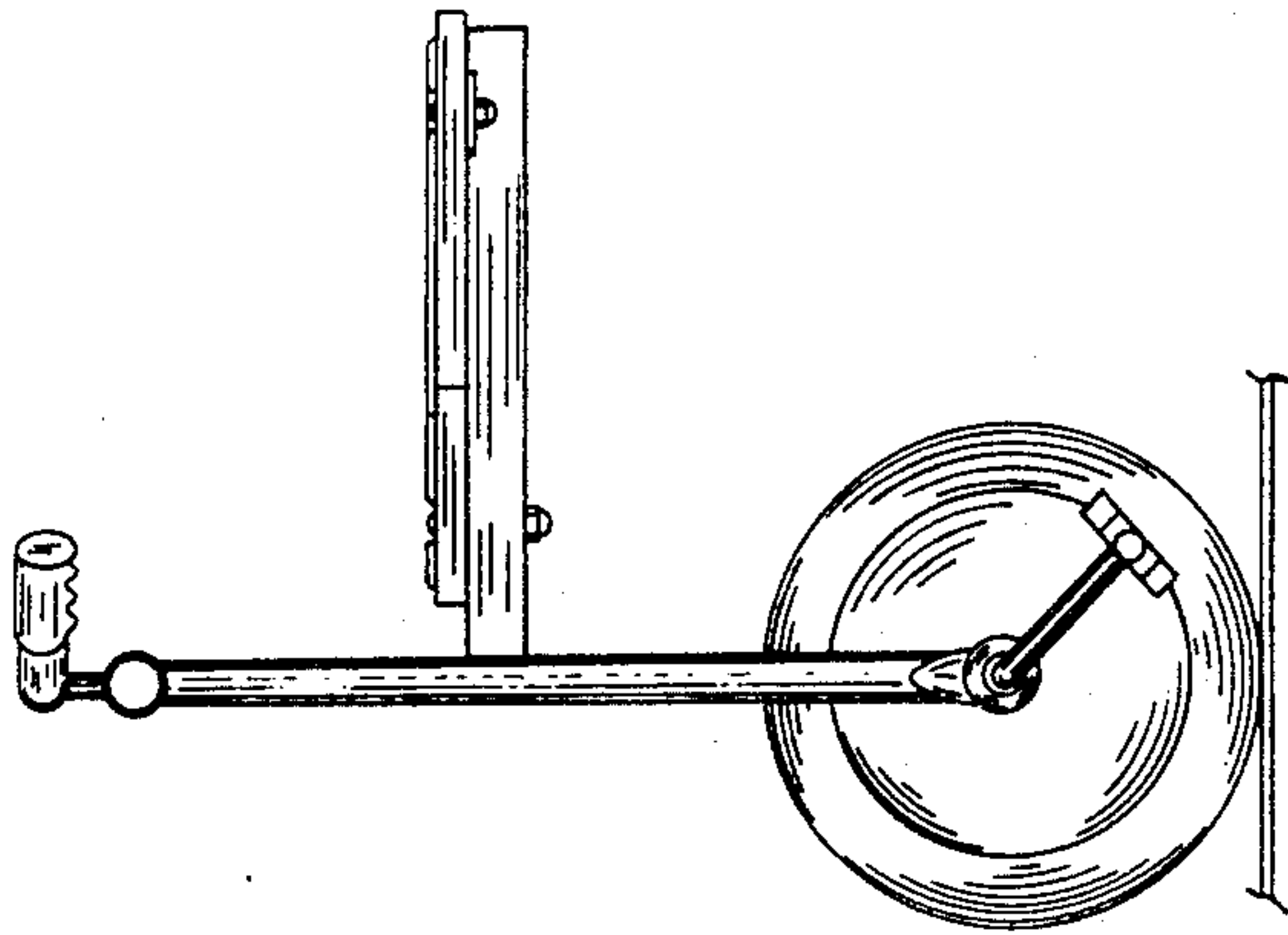


FIG. 5

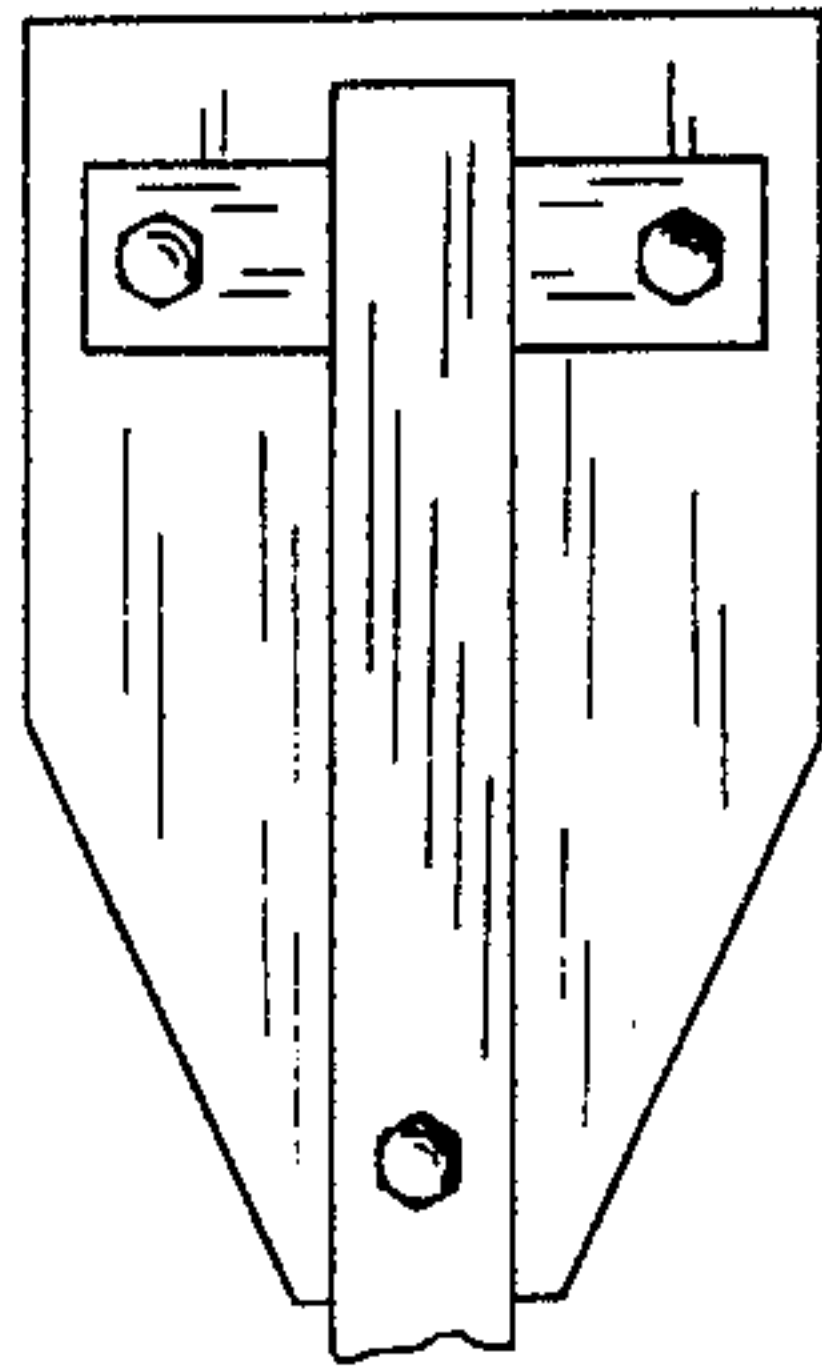


FIG. 4