

[54] TOY HELICOPTER

[75] Inventors: Lawrence T. Jones, Los Angeles; R. Stephen Lee, Westlake Village; Paul J. Ishikawa, Hermosa Beach; Ashley G. Howden, Los Angeles, all of Calif.

[73] Assignee: California R & D Center, Culver City, Calif.

[**] Term: 14 Years

[21] Appl. No.: 698,567

[22] Filed: Feb. 6, 1985

[52] U.S. Cl. D21/90

[58] Field of Search D21/59, 85, 87, 90, D21/150; D12/327; 446/71, 72, 80, 487, 116, 201, 202

[56] References Cited

U.S. PATENT DOCUMENTS

D. 232,170 7/1974 Diamond D12/327

D. 239,710 4/1976 Garrison D12/327
D. 239,930 5/1976 Ulinik D12/327

OTHER PUBLICATIONS

Toys, Hobbies & Crafts, 2-1984, p. 117, "Blue Thunder" Helicopter.

Primary Examiner—Charles A. Rademaker
Attorney, Agent, or Firm—Price, Gess & Ubell

[57] CLAIM

The ornamental design for a toy helicopter, substantially shown and described.

DESCRIPTION

FIG. 1 is a side perspective view of a toy helicopter showing our new design;
FIG. 2 is a side perspective view of the side opposite that shown in FIG. 1;
FIG. 3 is a bottom plan view thereof;
FIG. 4 is a rear elevational view thereof; and
FIG. 5 is a front elevational view thereof.

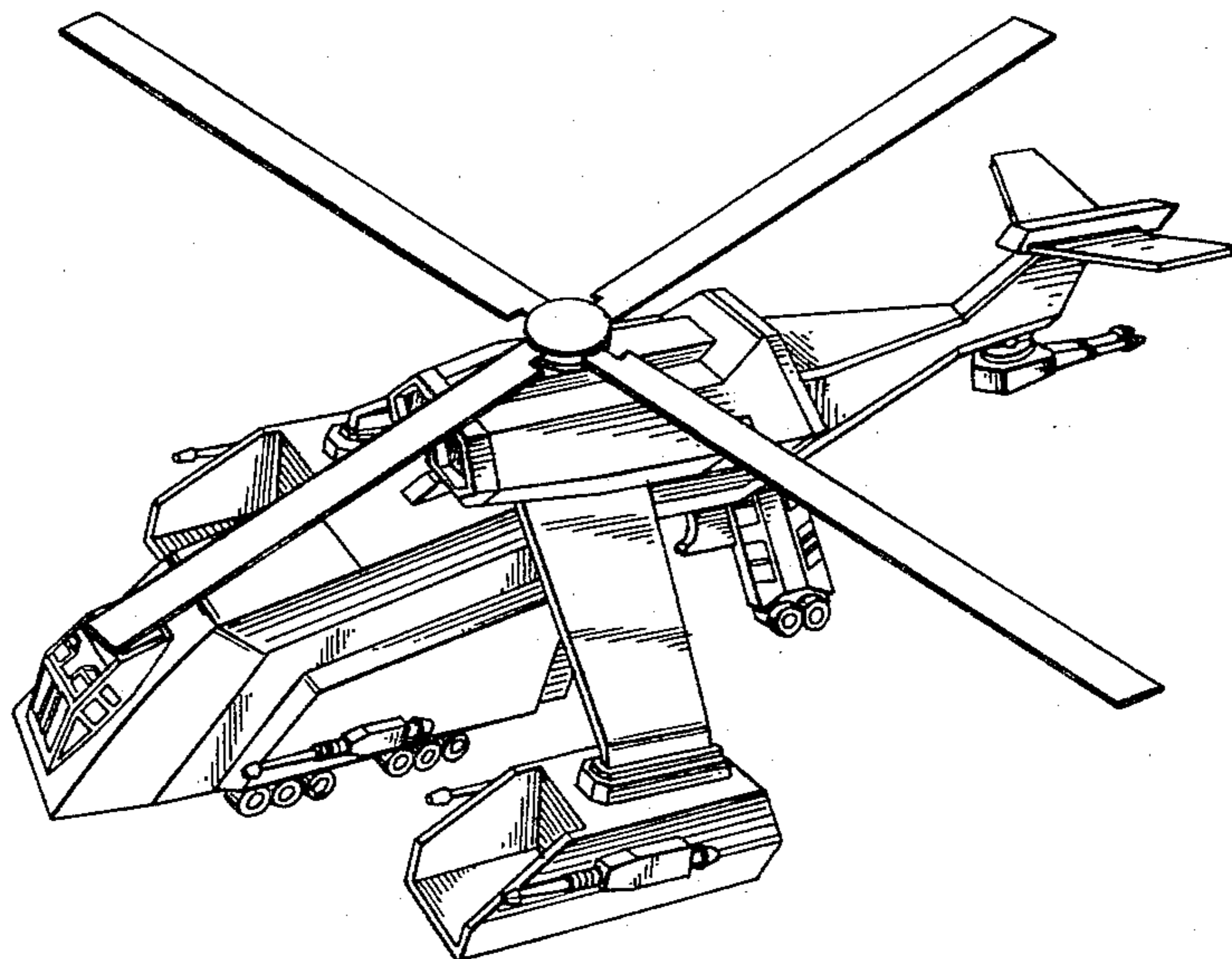


FIG. 1

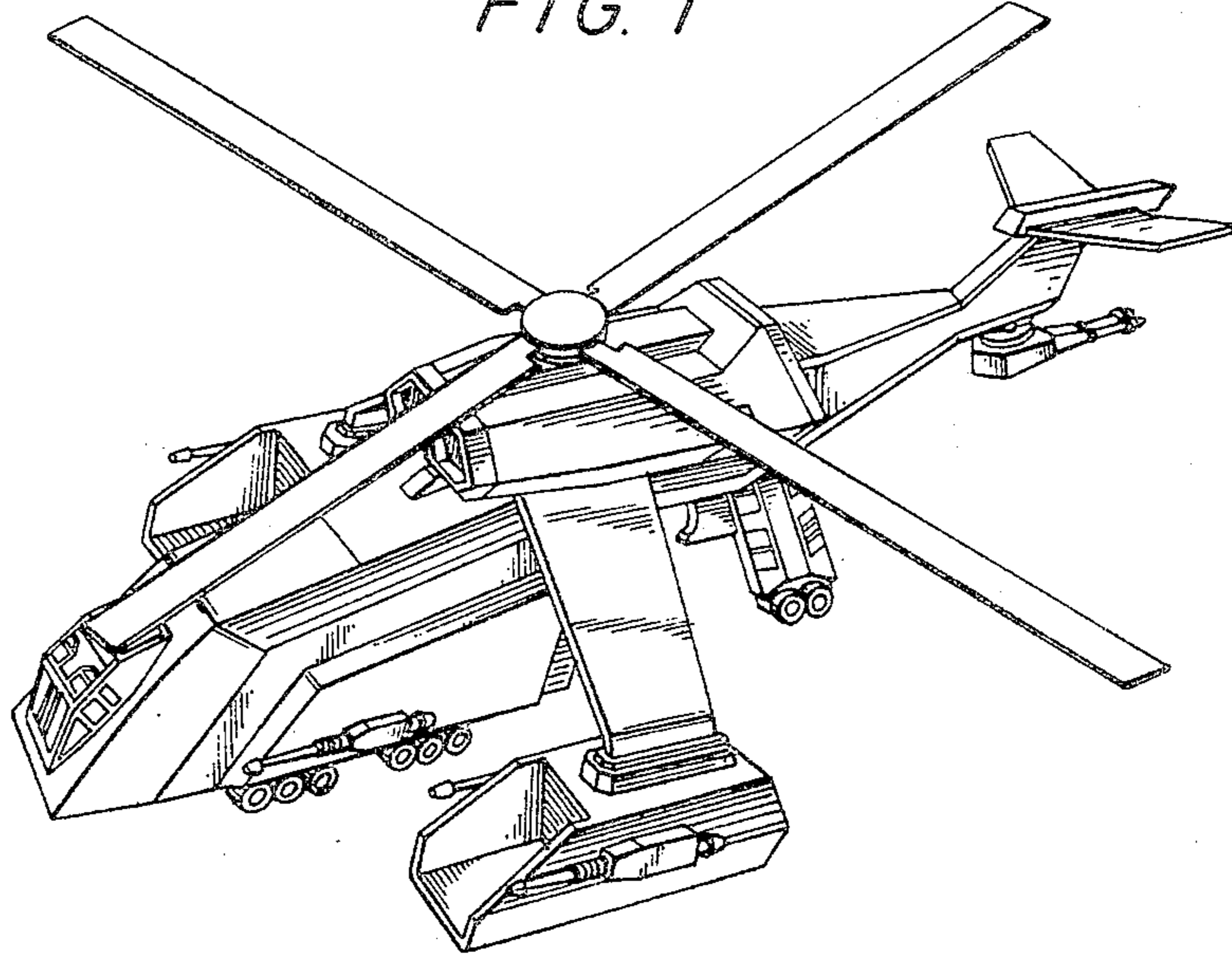
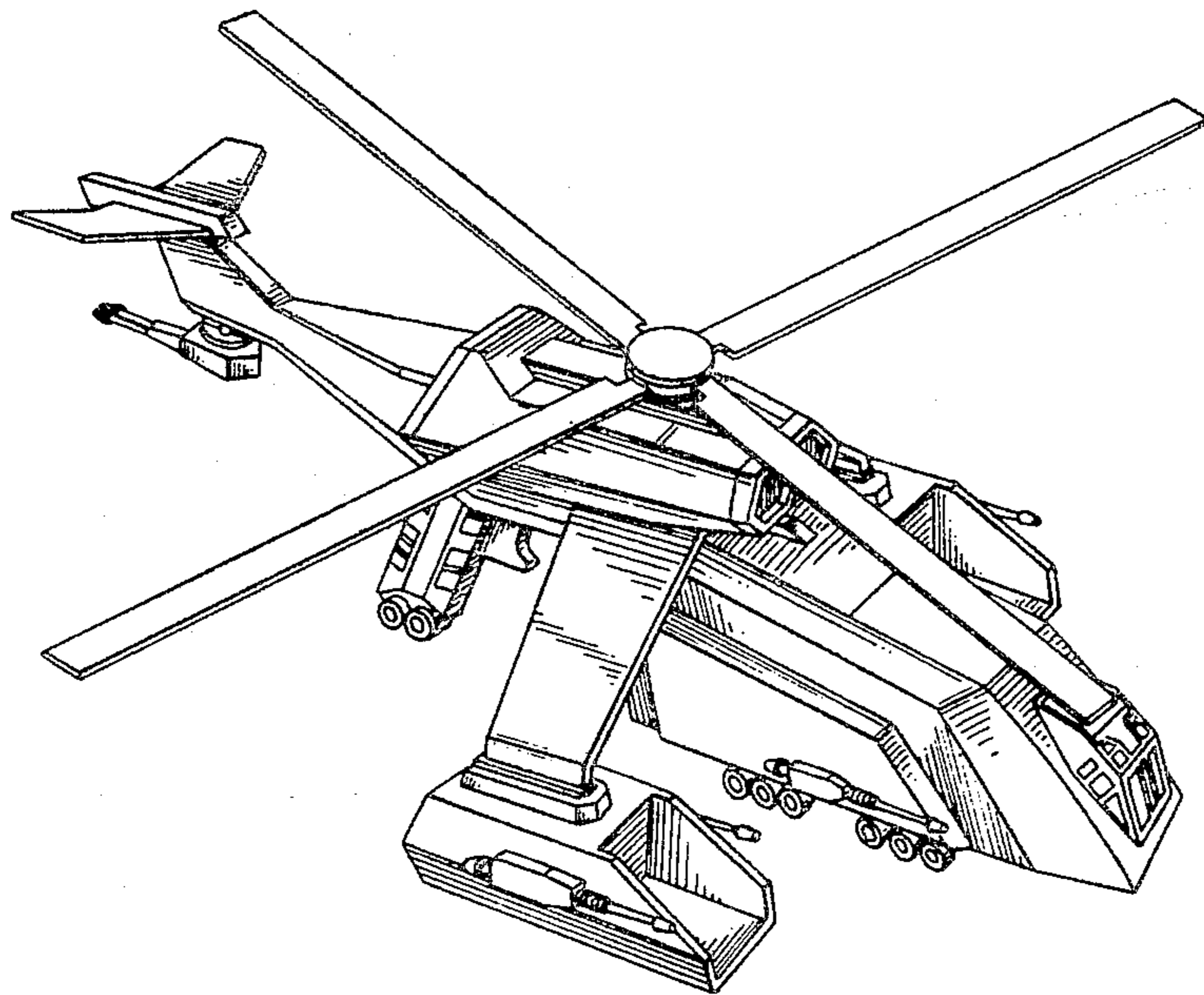


FIG. 2



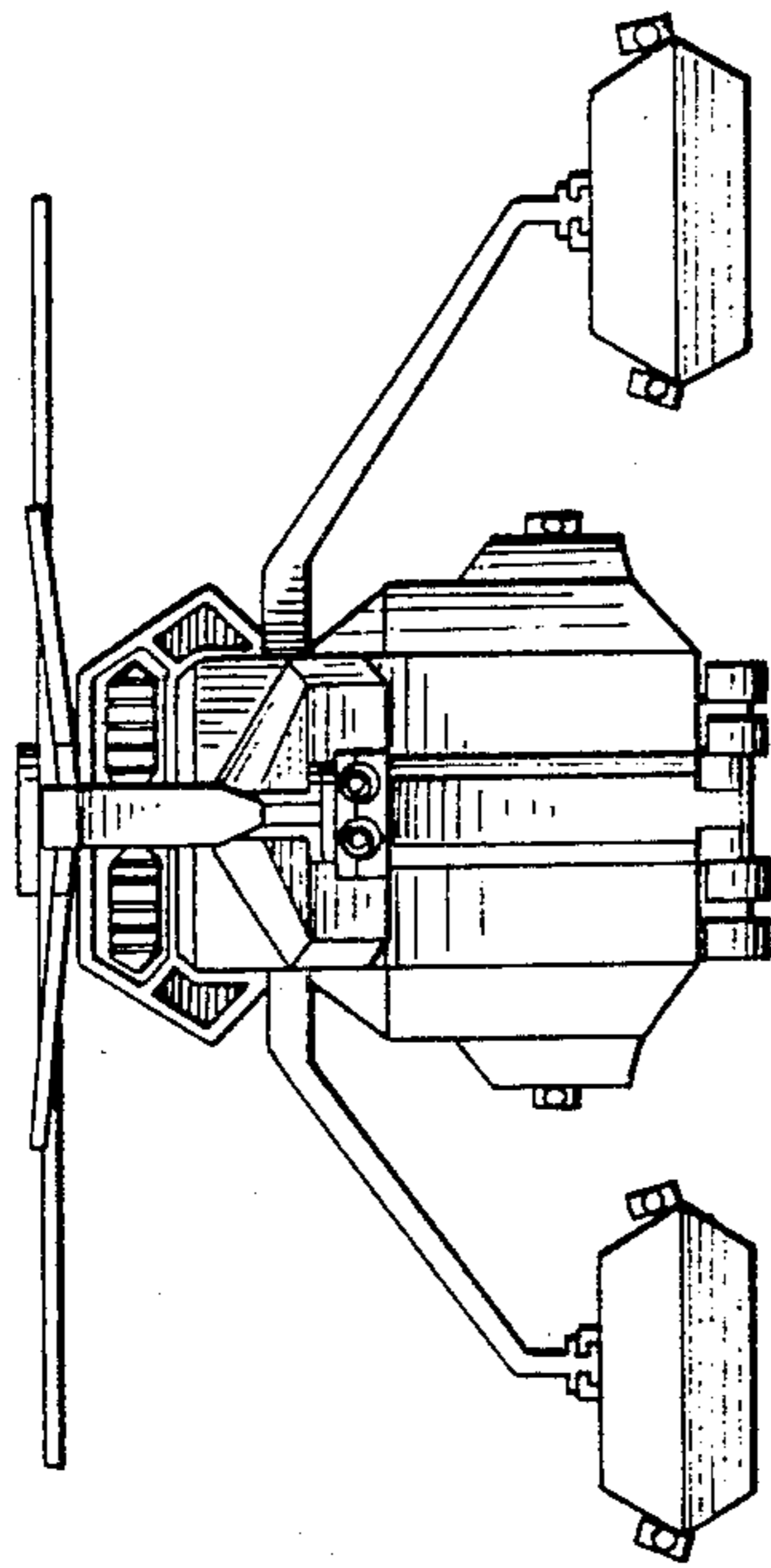


FIG. 4

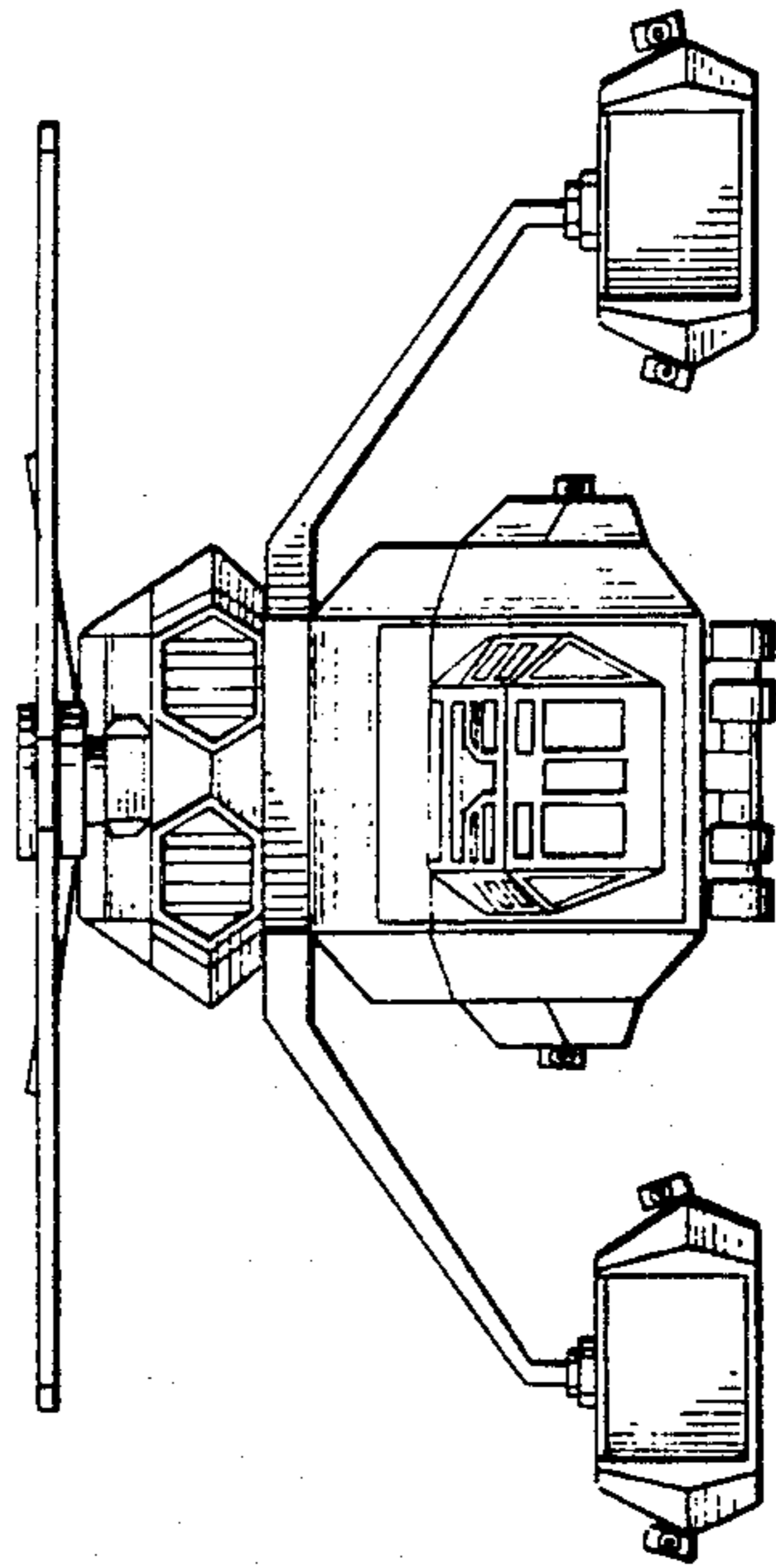


FIG. 5

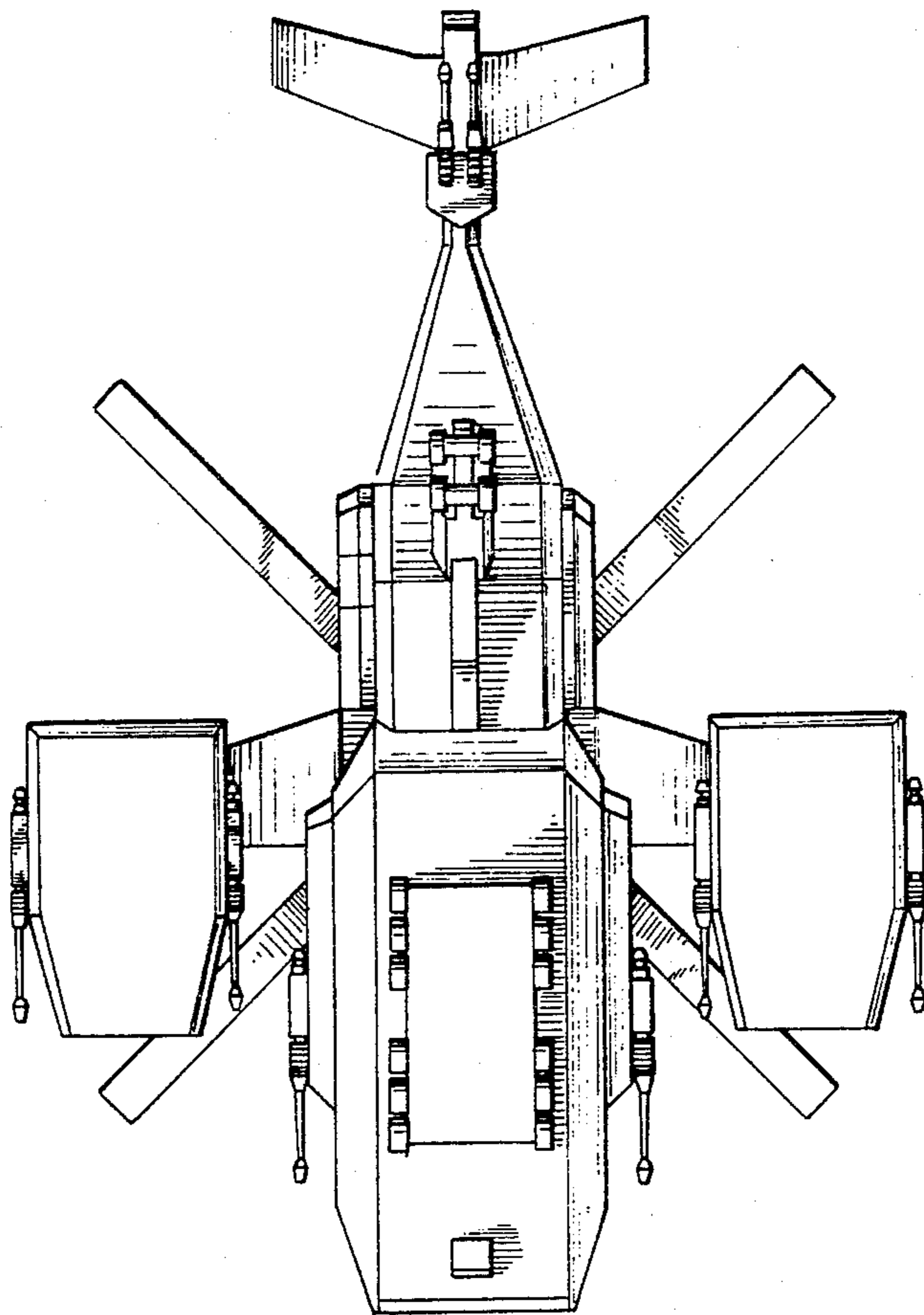


FIG. 3