

[54] **GRASS CATCHER**

[76] **Inventor: Vincent DiPaolo, 424 Maren St.,
West Hempstead, N.Y. 11552**

[**] **Term: 14 Years**

[21] **Appl. No.: 663,989**

[22] **Filed: Oct. 23, 1984**

[52] **U.S. Cl. D15/17; D15/28**

[58] **Field of Search D15/10, 14, 15, 17,
D15/28; 56/202, 16.6**

4,426,830 1/1984 Tackett 56/16.6
4,476,668 10/1984 Reilly 56/16.6
4,522,019 6/1985 Edwards et al. 56/16.6
4,532,755 8/1985 Schemelin et al. 56/202

Primary Examiner—Wallace R. Burke
Assistant Examiner—Suzanne N. Gitlin
Attorney, Agent, or Firm—Anthony J. Casella; Gerald
E. Hespos

[57] **CLAIM**

The ornamental design of a grass catcher, as shown and described.

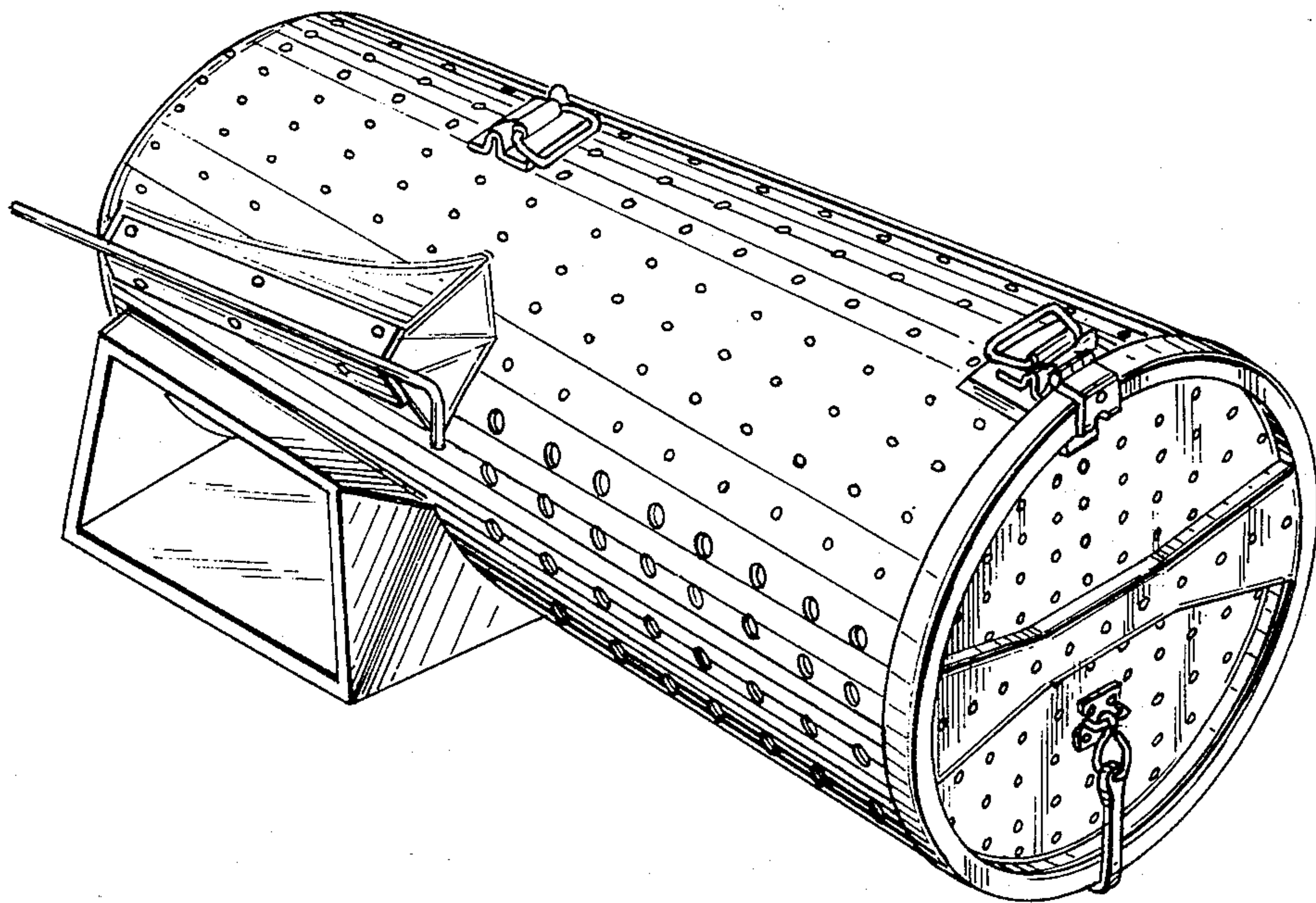
DESCRIPTION

FIG. 1 is a perspective view of a grass catcher showing my new design;
FIG. 2 is a top plan view thereof;
FIG. 3 is a side elevational view taken from the left of FIG. 1;
FIG. 4 is a front end elevational view thereof;
FIG. 5 is a side elevational view taken from the right of FIG. 1;
FIG. 6 is a rear end elevational view thereof;
FIG. 7 is a bottom plan view thereof;
FIG. 8 is a perspective view with grass catcher shown in open condition.

[56] **References Cited**

U.S. PATENT DOCUMENTS

D. 228,009	7/1973	Thorud	D15/17
D. 251,089	2/1979	Jackson	D15/27
2,747,356	4/1956	Peterson .	
2,855,745	10/1958	Phelps .	
3,014,330	12/1961	Oberdick .	
3,499,275	3/1970	Lozen .	
3,736,736	6/1973	Myers .	
3,816,986	6/1974	Van Der Gaast .	
4,095,398	6/1978	Aumann et al.	56/16.6
4,156,337	5/1979	Knudson	56/16.6
4,193,249	3/1980	Tackett	56/16.6



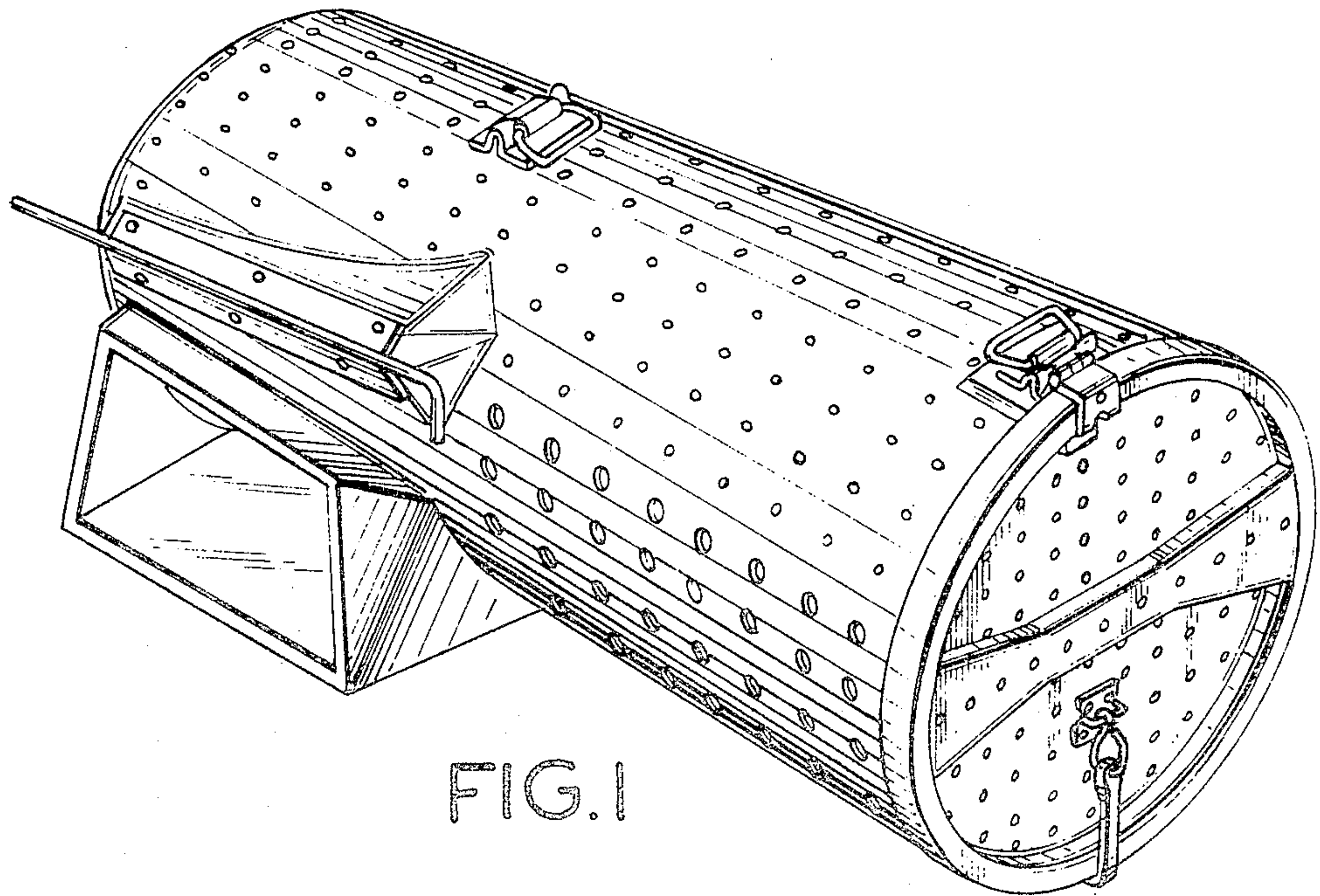


FIG. 1

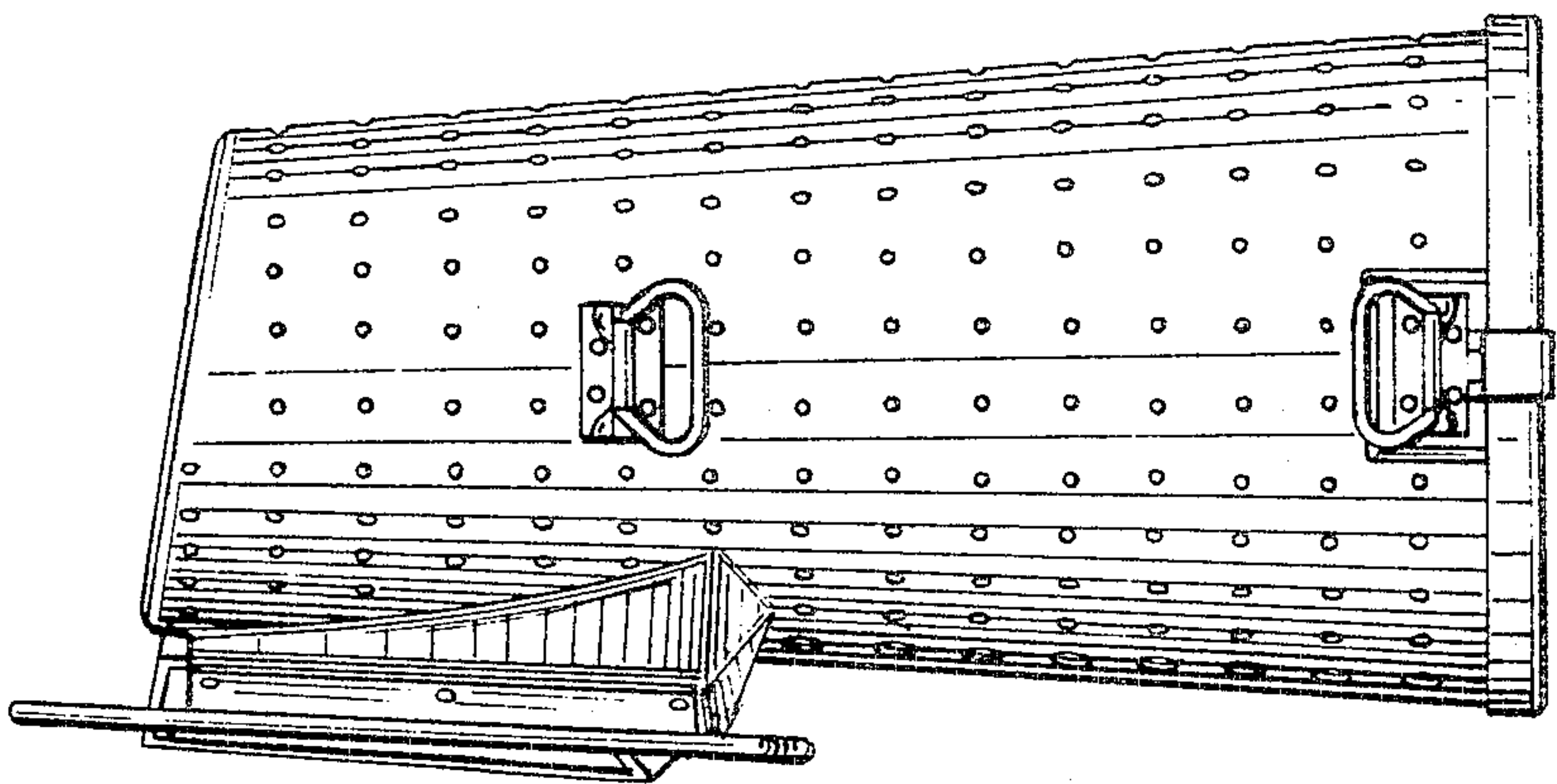


FIG. 2

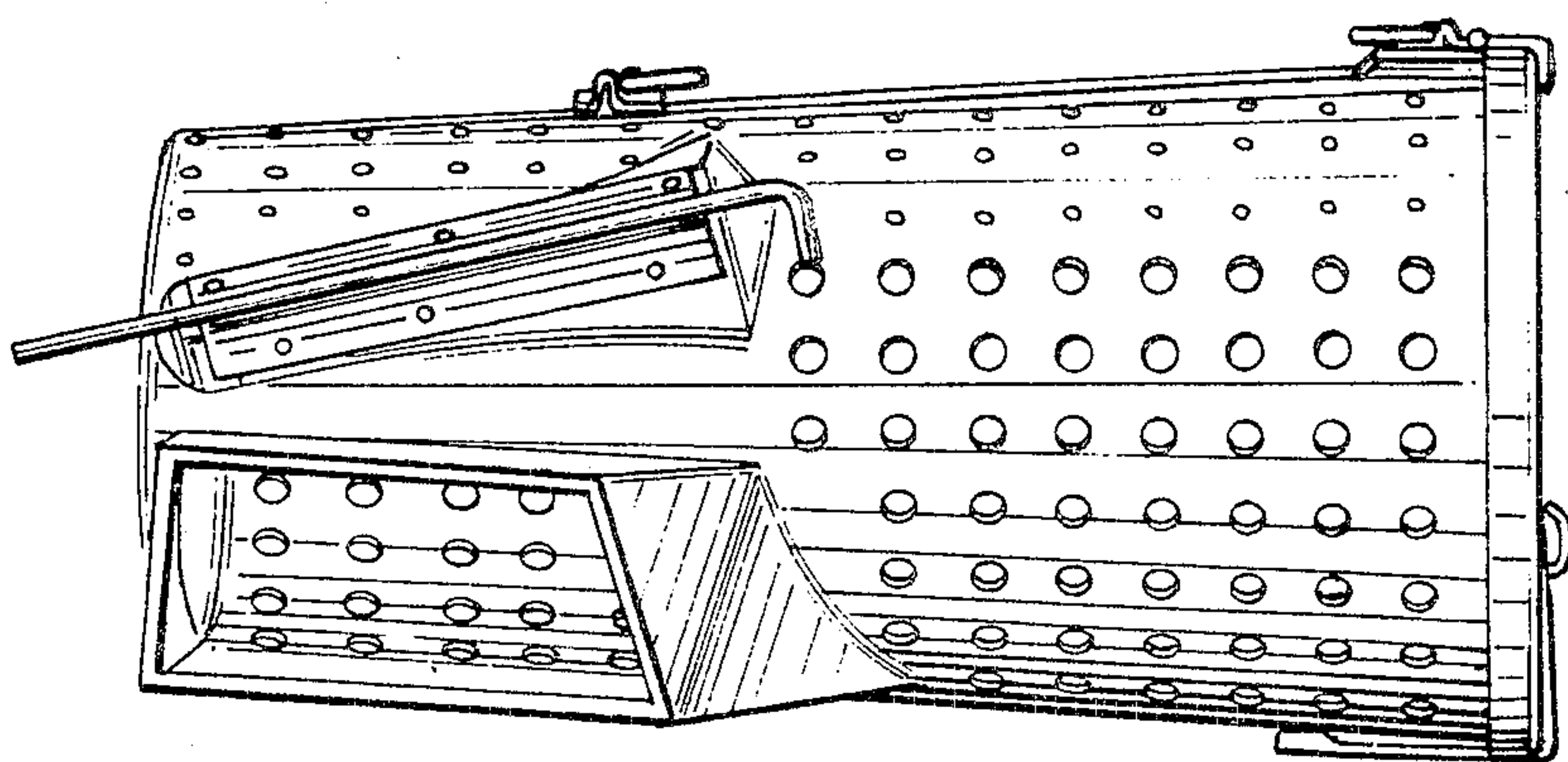


FIG. 3

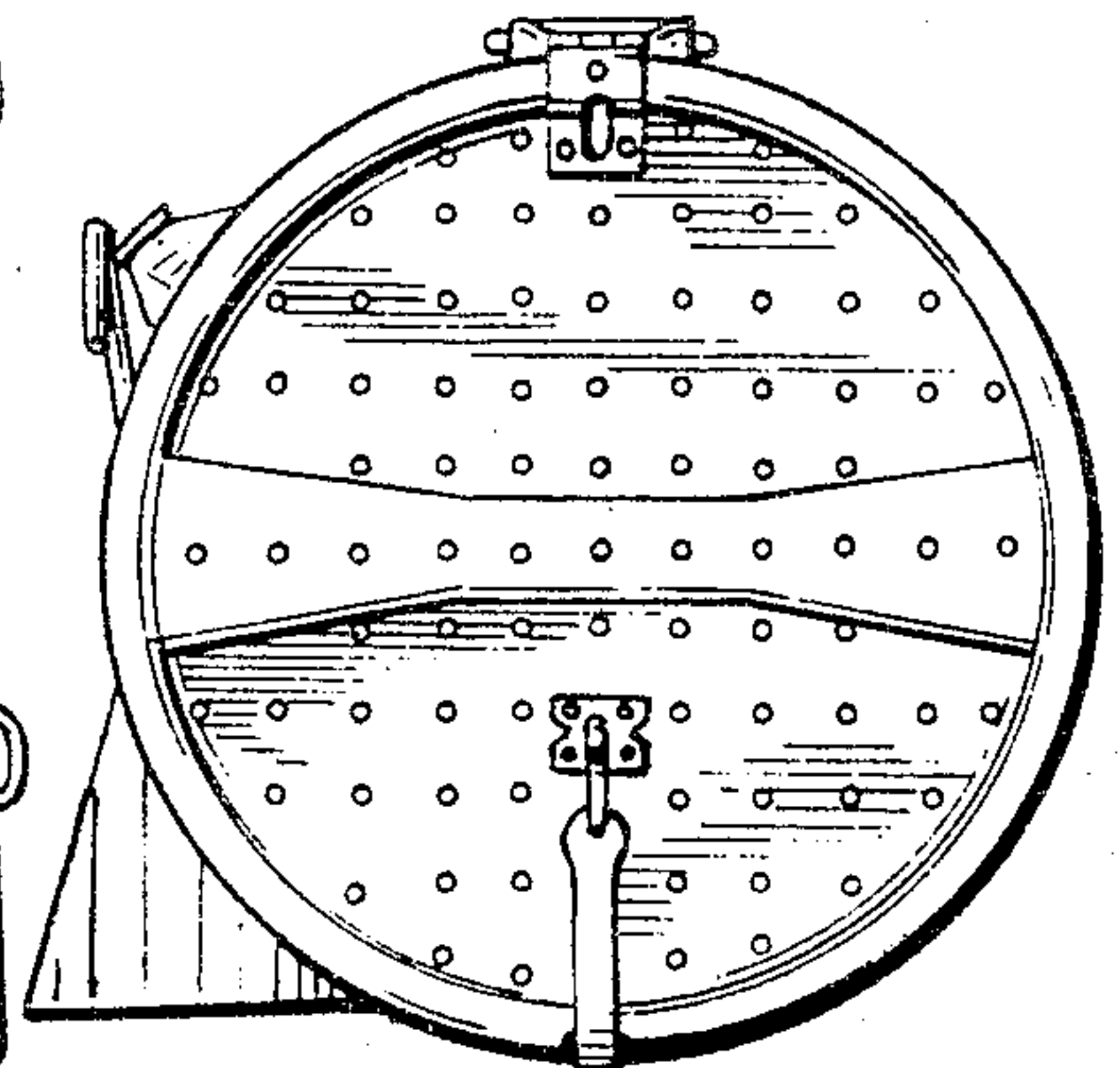


FIG. 4

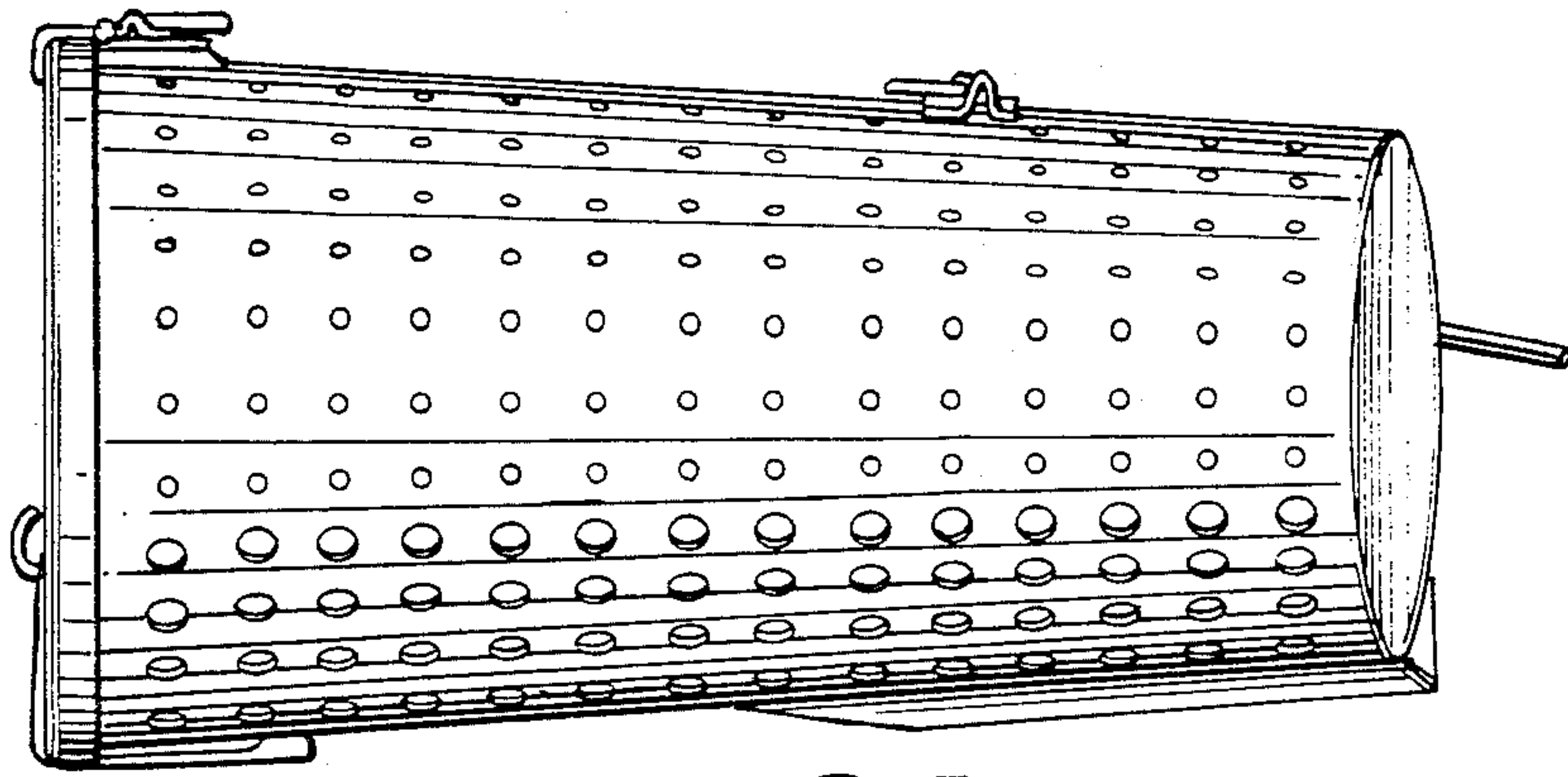


FIG. 5

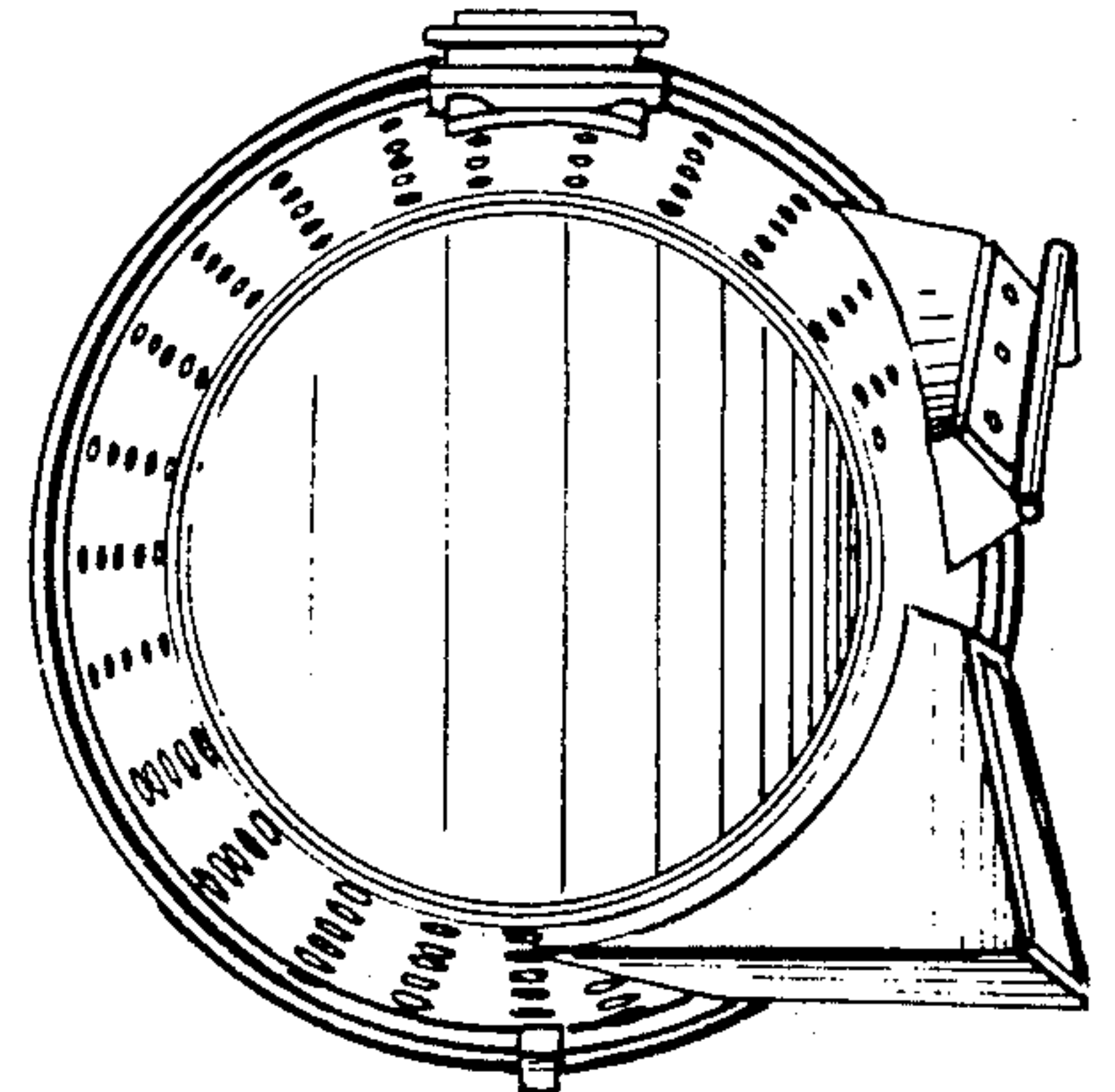


FIG. 6

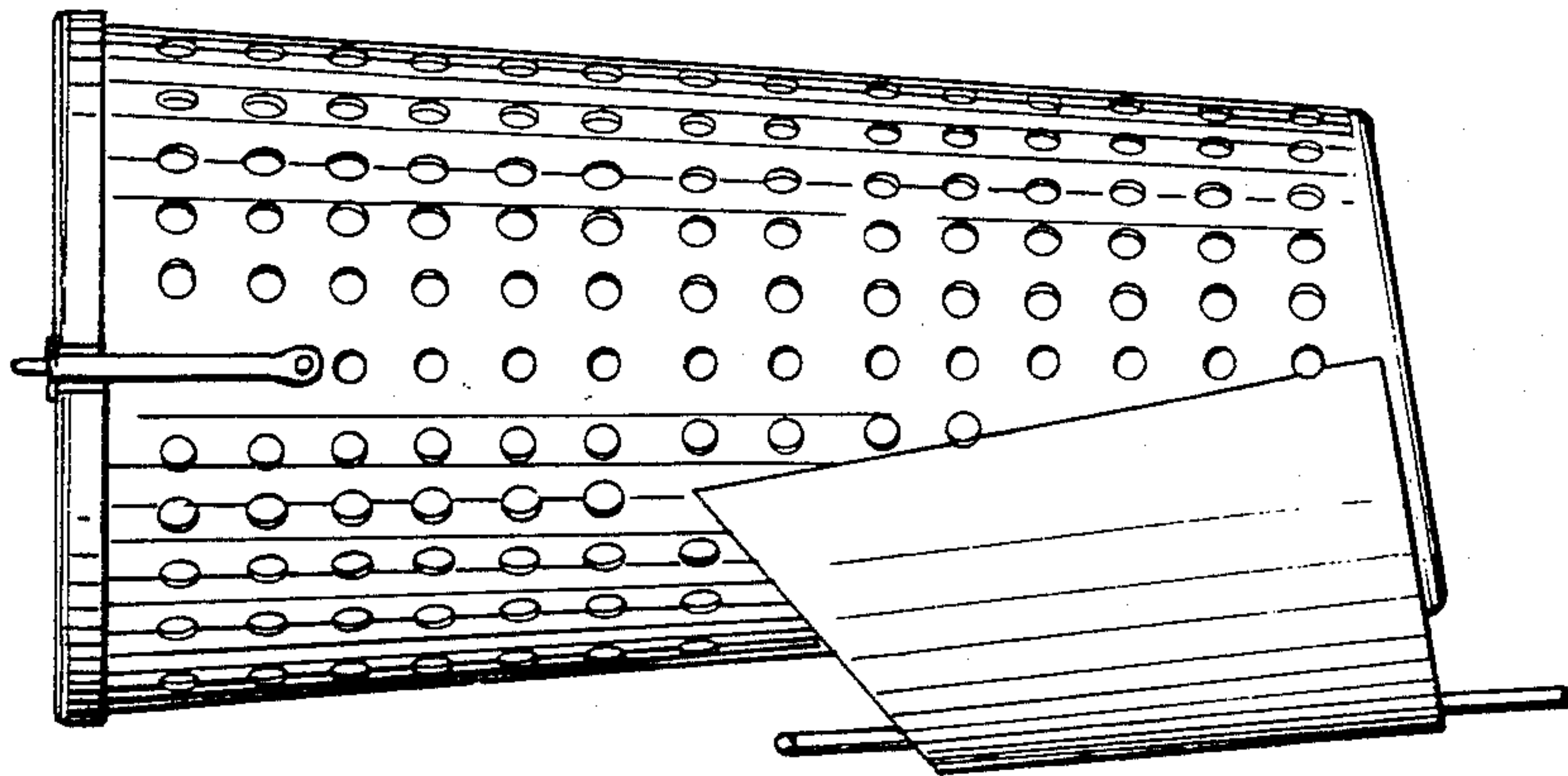


FIG. 7

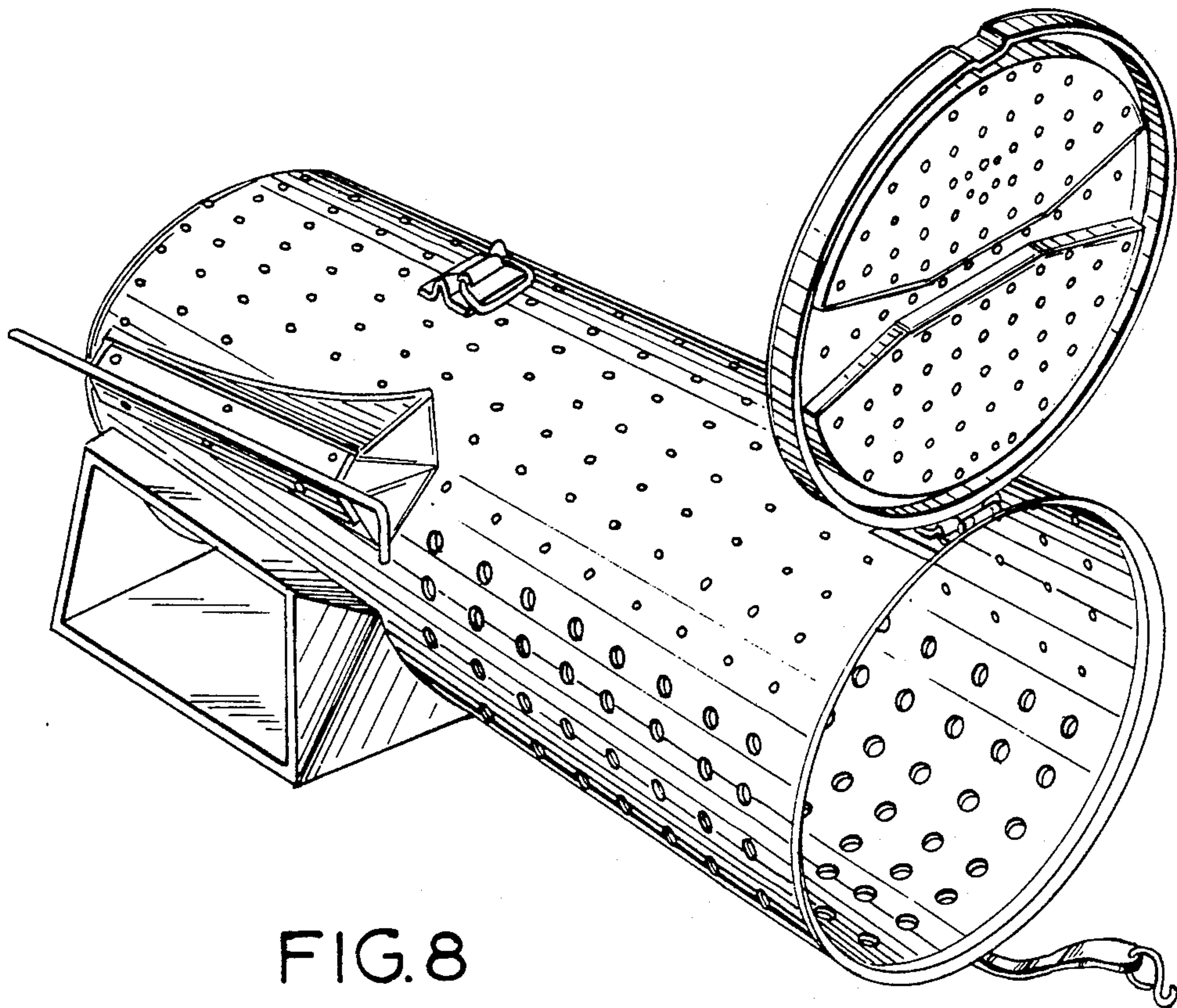


FIG. 8