

[54] BASE UNIT FOR A CORDLESS TELEPHONE OR SIMILAR ARTICLE

D. 282,179 1/1986 Yuen ..... D14/57  
3,916,103 10/1975 Morrell et al. .... 179/1 PC

[75] Inventor: Koji Anno, Tokyo, Japan

[73] Assignees: Anno Associates Inc., Tokyo;  
Suntron Industrial Company, Ltd.,  
Yokohama, both of Japan

[\*\*] Term: 14 Years

[21] Appl. No.: 665,925

[22] Filed: Oct. 29, 1984

[52] U.S. Cl. .... D14/60; D14/57

[58] Field of Search ..... D14/52, 53, 58, 60,  
D14/62, 59; 179/179, 100 R, 100 D, 100 C, 100  
L, 101

[56] References Cited

U.S. PATENT DOCUMENTS

- D. 238,186 12/1975 Kramer et al. .... D14/58
- D. 244,849 6/1977 Todeschini ..... D14/57
- D. 247,174 2/1978 Janda ..... D14/57
- D. 269,432 6/1983 Kowalik et al. .... D14/57
- D. 275,753 10/1984 Mohan ..... D14/52

OTHER PUBLICATIONS

Hasler Review, vol. 11, No. 2/3; Autumn 1978; at p. 59; right hand unit in Fig. 5.

B. A. Parghlo, Inc. catalog ©1983; GTE Speakerphone #83221, at p. 35; also Webcor Zip Model A60 at p. 35.

Primary Examiner—Wallace R. Burke

Assistant Examiner—Horace B. Fay

Attorney, Agent, or Firm—Schwartz & Weinrieb

[57] CLAIM

The ornamental design for a base unit for a cordless telephone or similar article, as shown and described.

DESCRIPTION

FIG. 1 is a front, top and right side perspective view of a base unit for a cordless telephone or similar article showing my new design;

FIG. 2 is a rear, bottom and left side perspective view thereof;

FIG. 3 is a front elevational view thereof; and

FIG. 4 is a right side elevational view thereof.

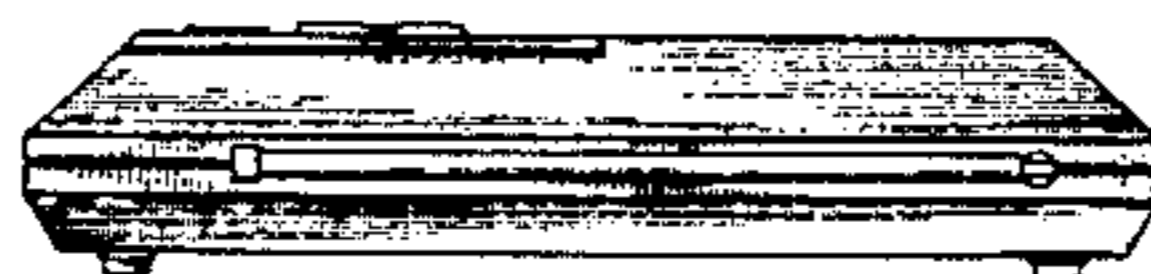
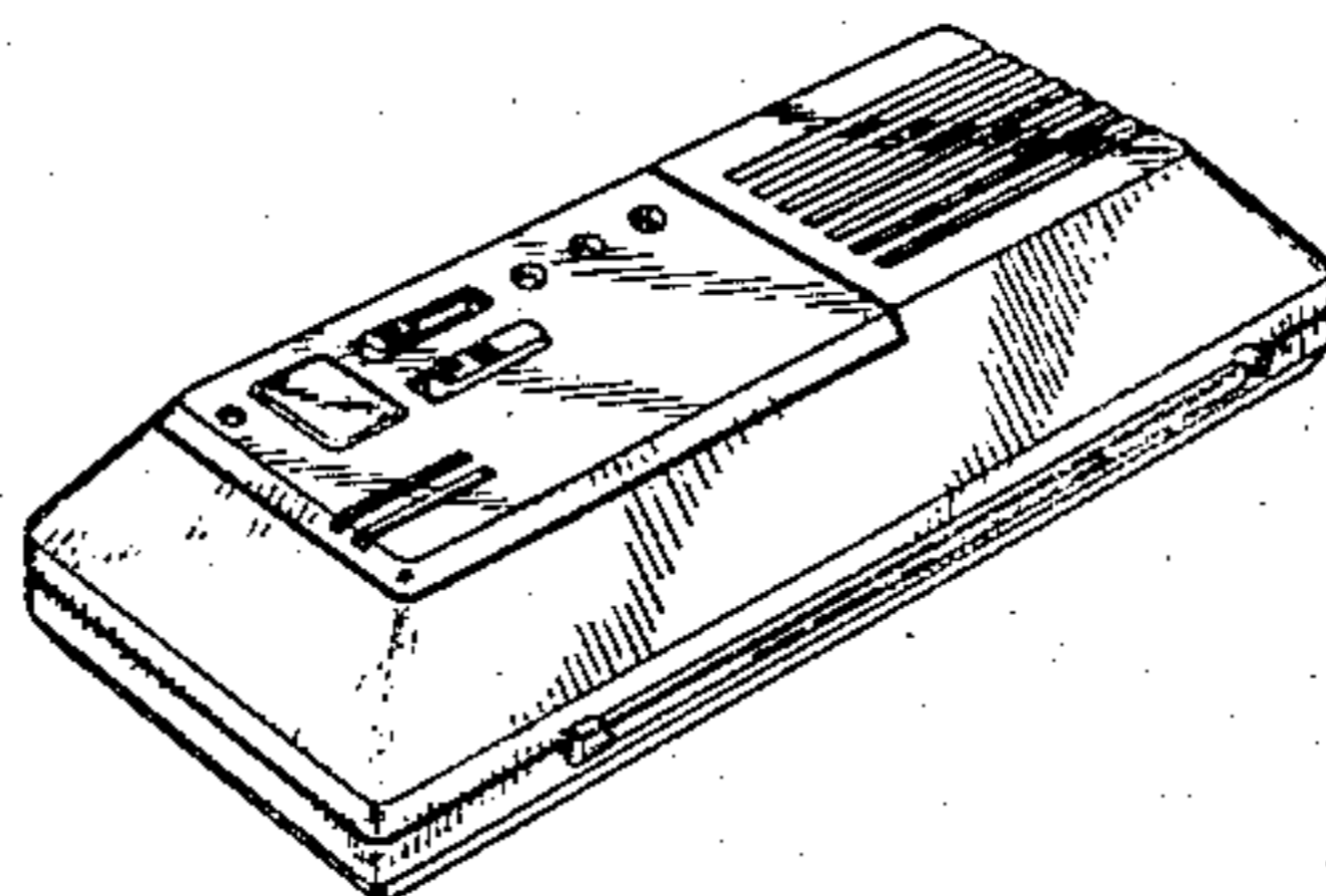


FIG. 1

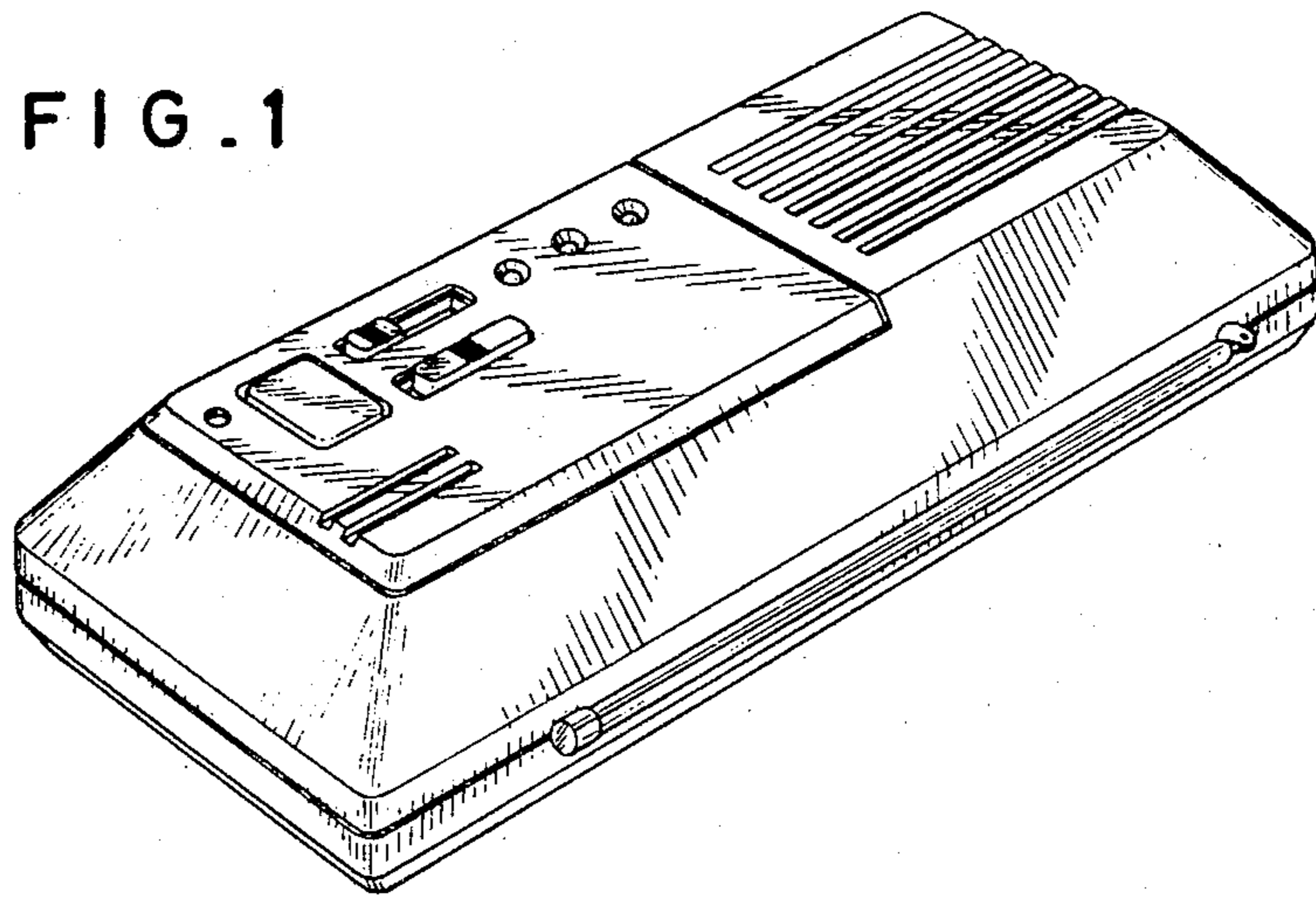


FIG. 2

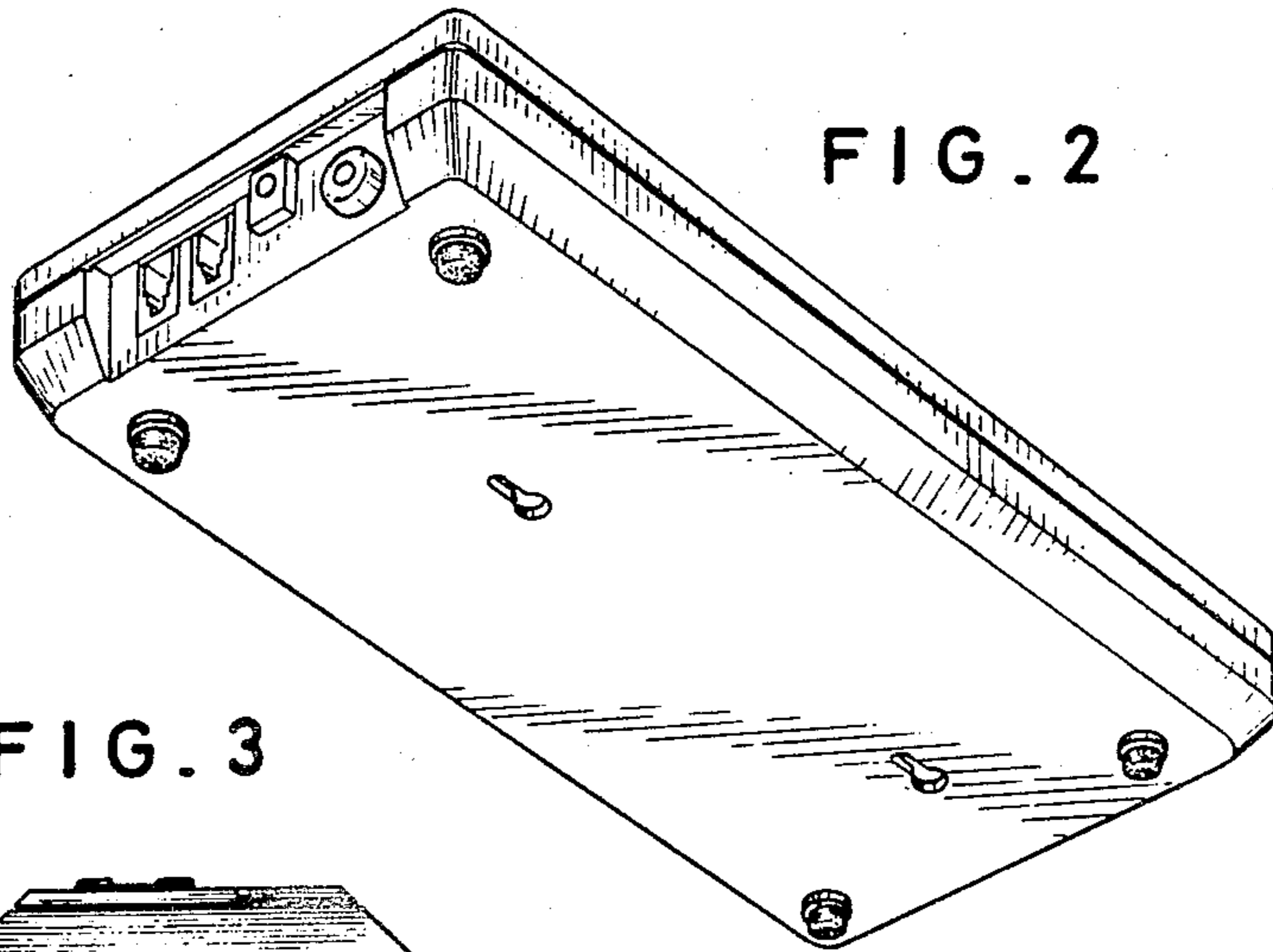


FIG. 3

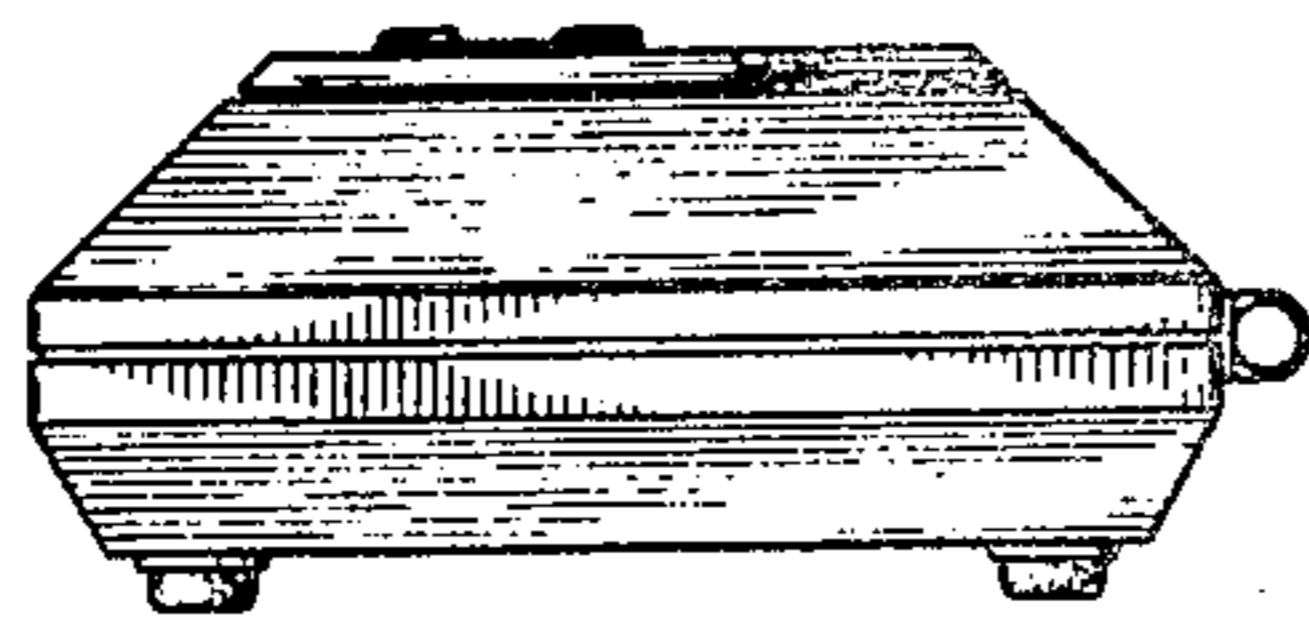


FIG. 4

