

United States Patent [19]

Komatsu

[11] Patent Number: **Des. 287,239**

[45] Date of Patent: **** Dec. 16, 1986**

[54] **ELECTRICAL JACK**

[75] Inventor: **Yasuhiro Komatsu, Osaka, Japan**

[73] Assignee: **Hosiden Electronics Co., Ltd., Osaka, Japan**

[**] Term: **14 Years**

[21] Appl. No.: **600,057**

[22] Filed: **Apr. 13, 1984**

[30] **Foreign Application Priority Data**

Nov. 14, 1983 [JP] Japan 58-49535

[52] U.S. Cl. **D13/24**

[58] Field of Search **D13/24, 27, 28, 29, D13/30; 339/17 LC, 183**

[56] **References Cited**

U.S. PATENT DOCUMENTS

3,011,035 11/1961 Glovtak et al. 339/183
3,045,079 7/1962 Frantz et al. 339/183

3,383,481 5/1968 Bailey et al. 339/183
4,493,526 1/1985 Masuda 339/183

FOREIGN PATENT DOCUMENTS

57-5932 2/1982 Japan .
612194 8/1983 Japan .
270039 8/1970 U.S.S.R. 339/17 LC

Primary Examiner—Wallace R. Burke
Assistant Examiner—Kay H. Chin
Attorney, Agent, or Firm—Jones, Tullar & Cooper

[57] **CLAIM**

The ornamental design for an electrical jack, as shown or described.

DESCRIPTION

FIG. 1 is a perspective view of an electrical jack showing my new design;
FIG. 2 is a front elevation view thereof;
FIG. 3 is a left side elevation view thereof;
FIG. 4 is a right side elevation view thereof;
FIG. 5 is a rear elevation view thereof;
FIG. 6 is a top plan view thereof;
FIG. 7 is a bottom plan view thereof.

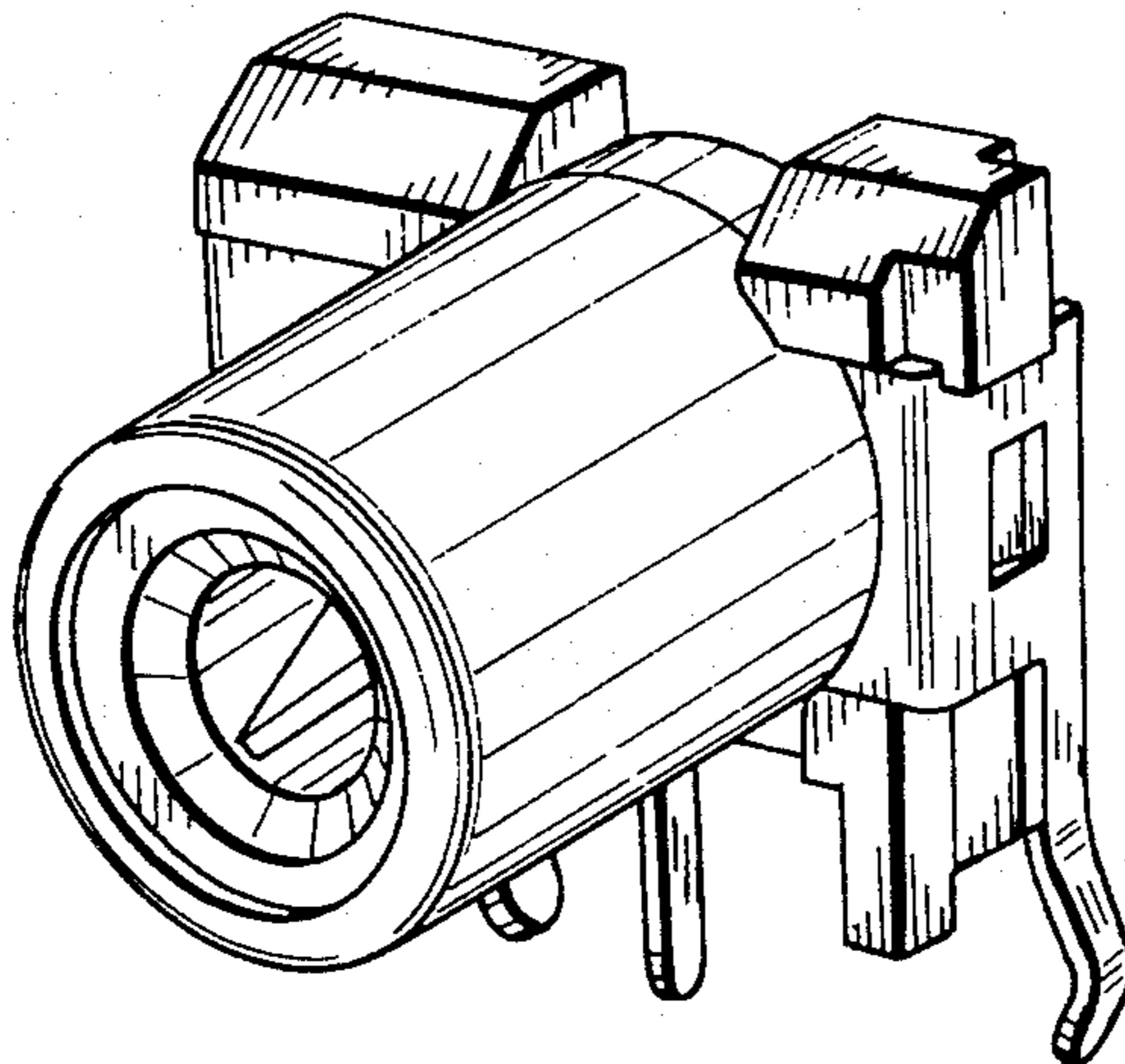


Fig.1

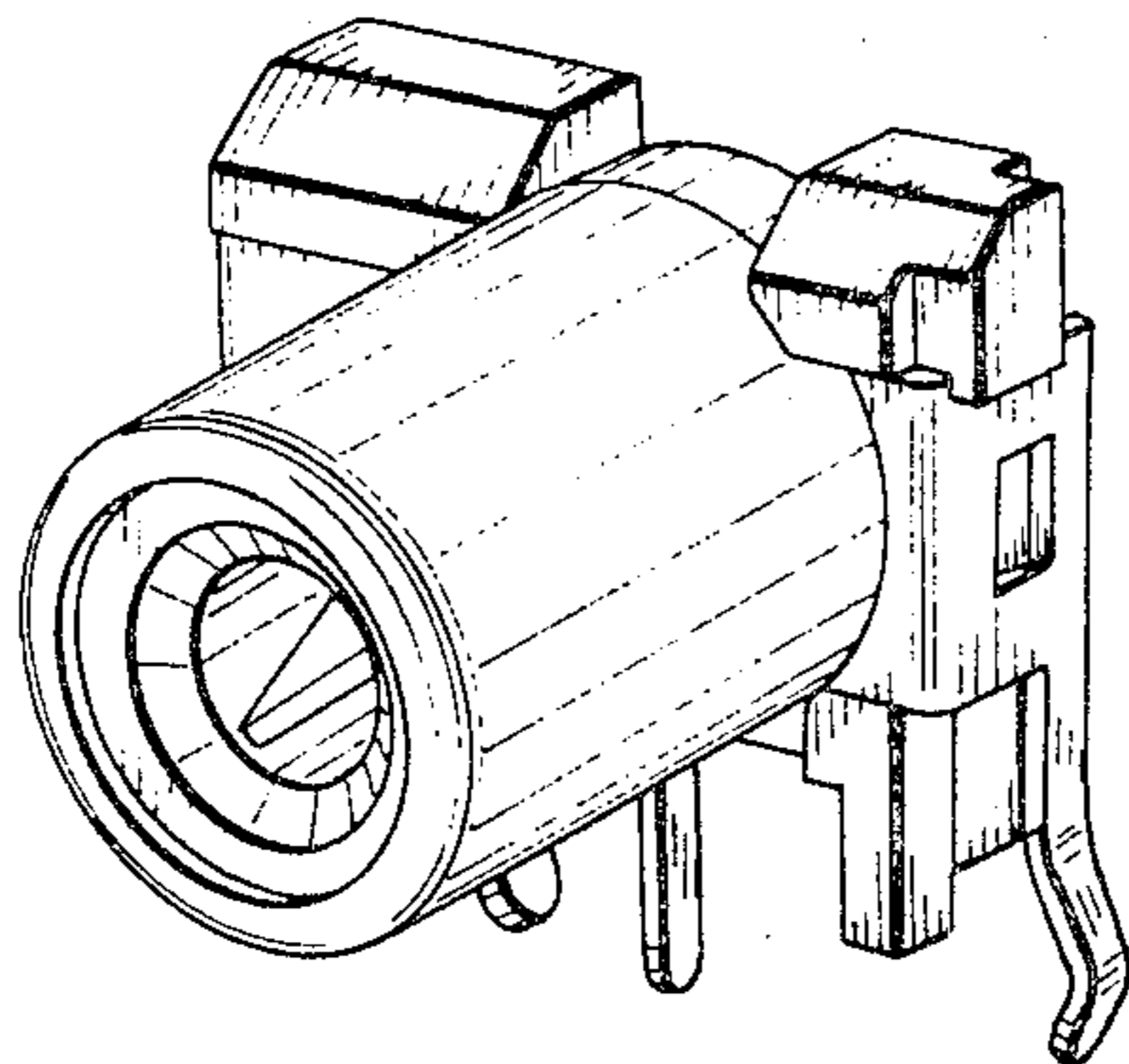


Fig.2

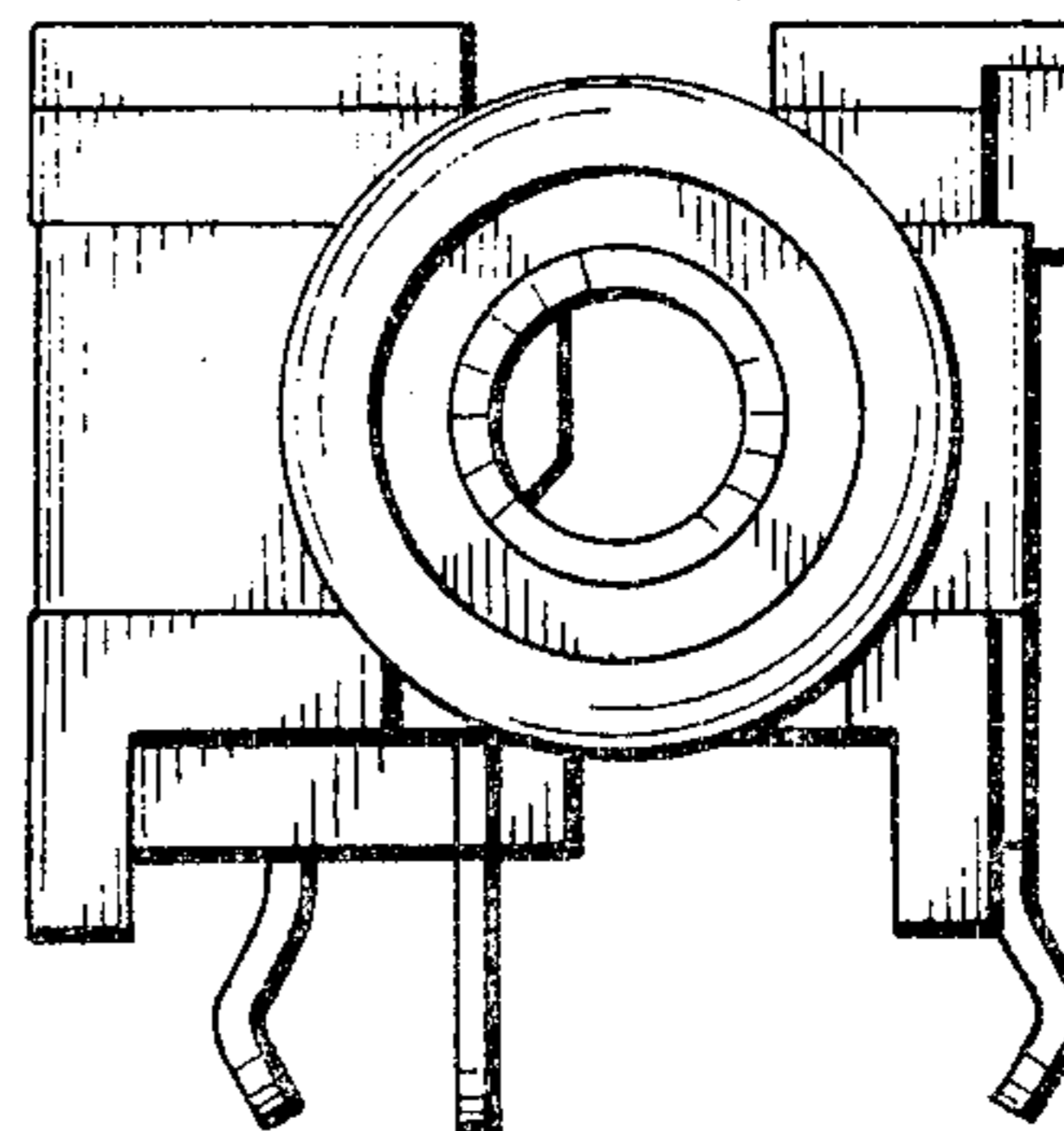


Fig.3

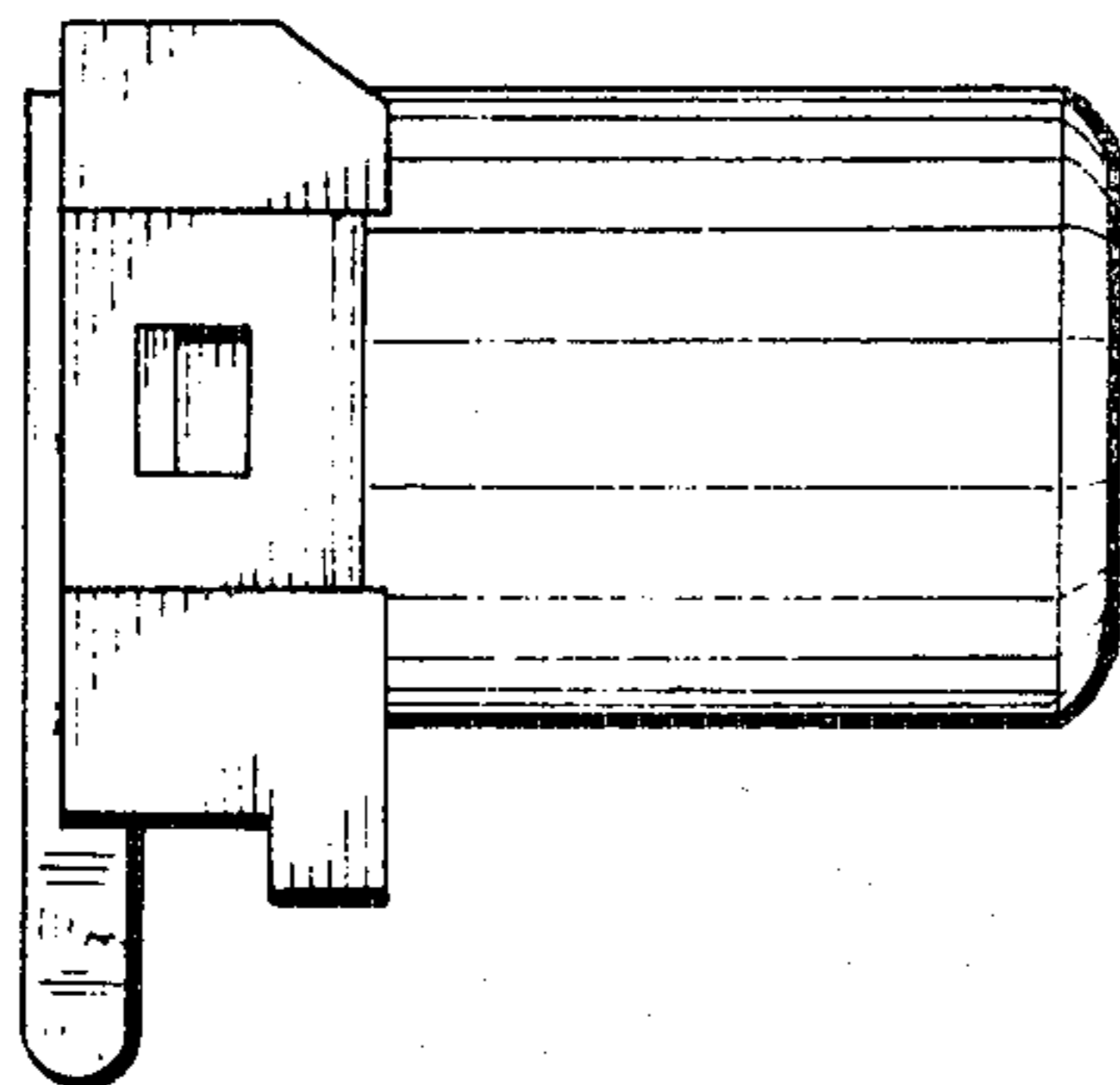


Fig.4

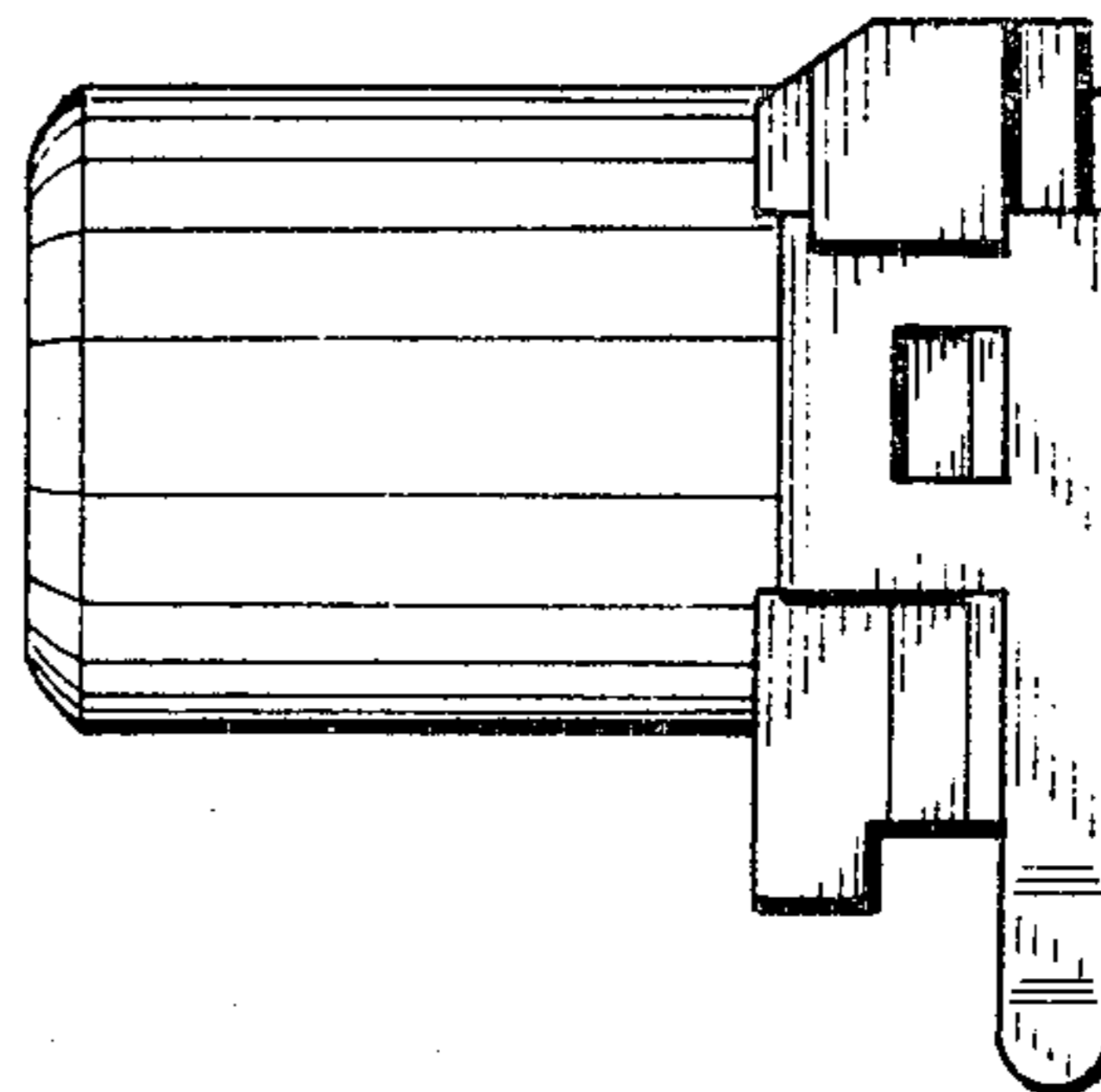


Fig.5

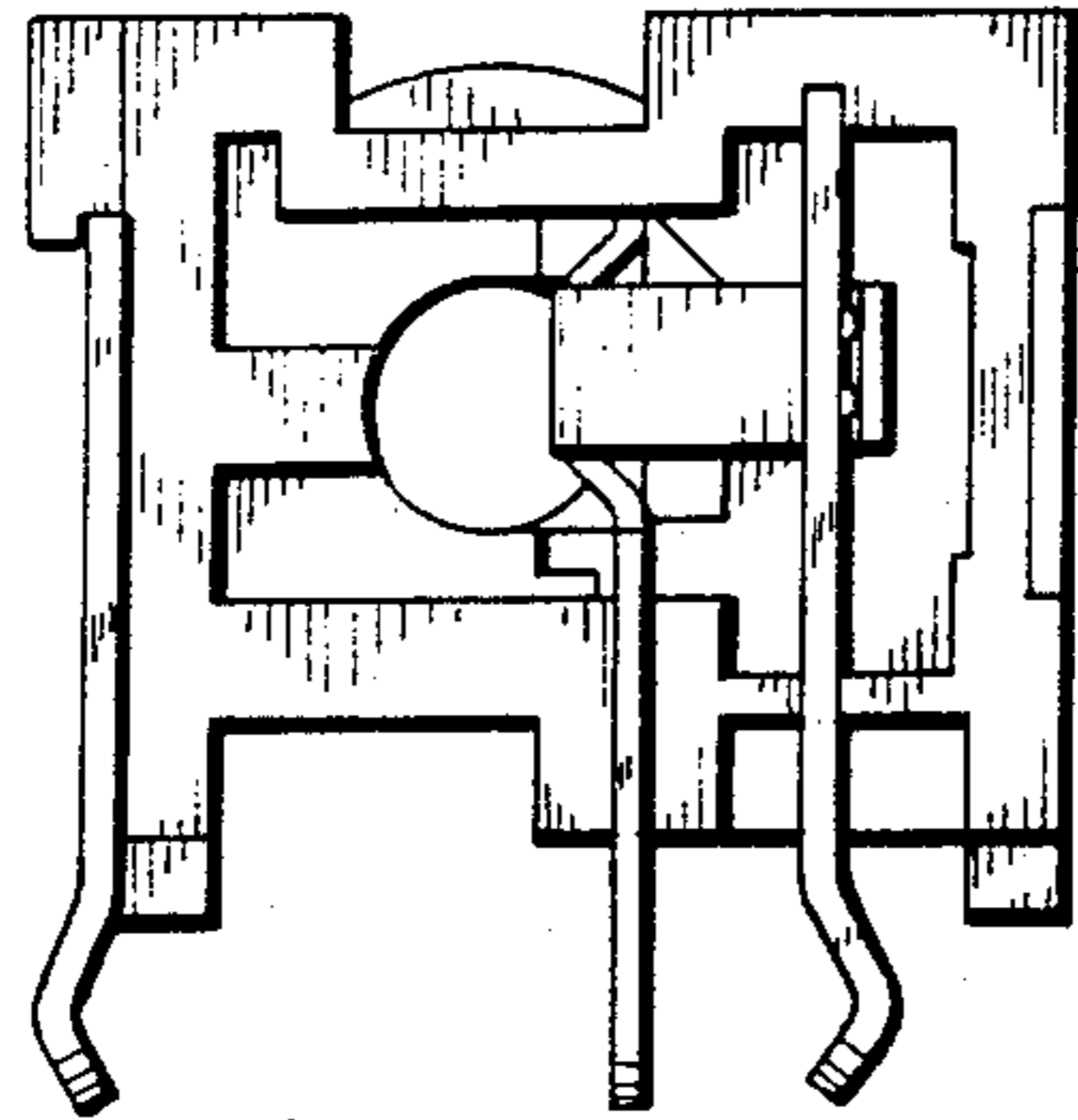


Fig.6

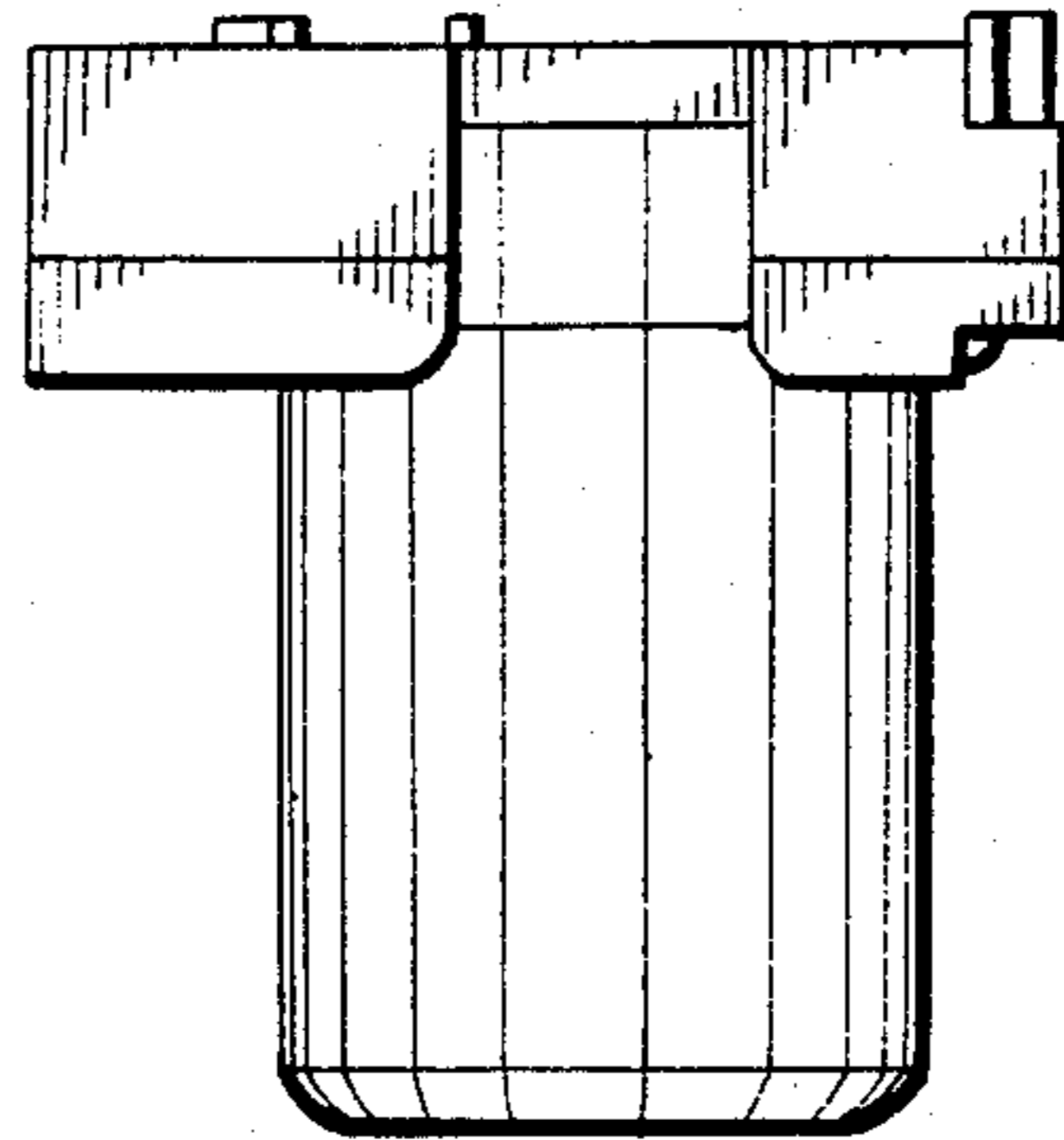


Fig.7

