

[54] LUGGAGE CASE FOR MOTORCYCLES

[75] Inventor: Karl-Heinz Abe, Steinebach, Fed. Rep. of Germany

[73] Assignee: Bayerische Motoren Werke A.G., Munich, Fed. Rep. of Germany

[**] Term: 14 Years

[21] Appl. No.: 591,826

[22] Filed: Mar. 21, 1984

[30] Foreign Application Priority Data

Sep. 23, 1983 [DE] Fed. Rep. of Germany ... MR 13577

[52] U.S. Cl. D12/158

[58] Field of Search D12/158; 224/32 R, 32 A

[56] References Cited

U.S. PATENT DOCUMENTS

- D. 259,780 7/1981 Davidson D12/158
- D. 264,458 5/1982 Vetter et al. D12/158
- D. 276,712 12/1984 Kashio et al. D12/158

OTHER PUBLICATIONS

Cycle World, 7/83, p. 2, Rear Luggage Case of Yamaha Venture Royale, center right side of page.

Cycle World, 12/83, p. 46, Rear Luggage Case of Kawasaki Voyager, center of page.

Primary Examiner—James M. Gandy
Attorney, Agent, or Firm—Barnes & Thornburg

[57] CLAIM

The ornamental design for a luggage case for motorcycles, as shown and described.

DESCRIPTION

FIG. 1 is a perspective view of the luggage case for motorcycles embodying my novel design taken from the left front;

FIG. 2 is a perspective rear view thereof from the right rear corner and from above;

FIG. 3 is a front elevational view thereof;

FIG. 4 is a rear elevational view thereof;

FIG. 5 is a right side elevational view thereof;

FIG. 6 is a left side elevational view thereof;

FIG. 7 is a top plan view thereof; and

FIG. 8 is a bottom plan view thereof.

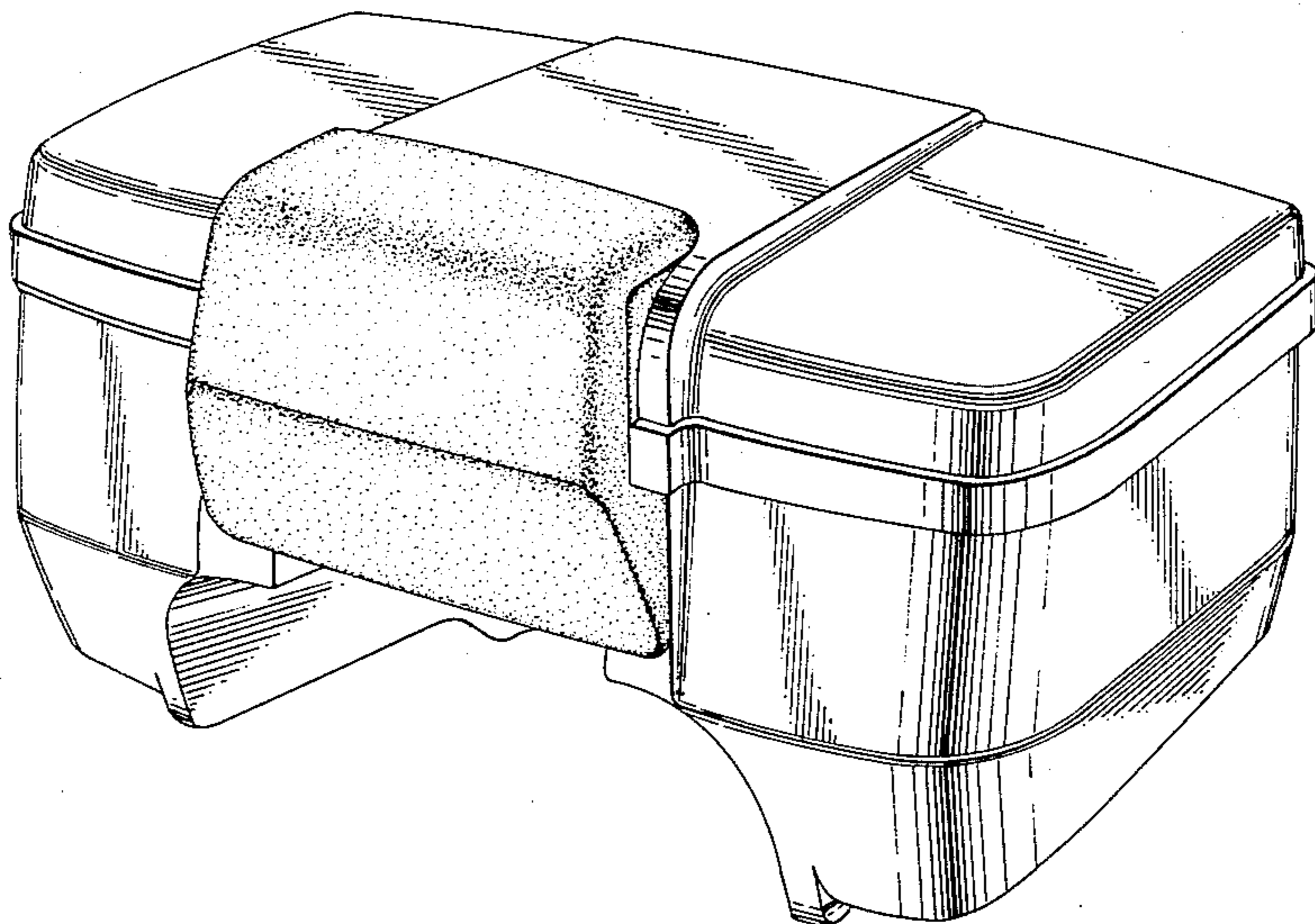


FIG. 1.

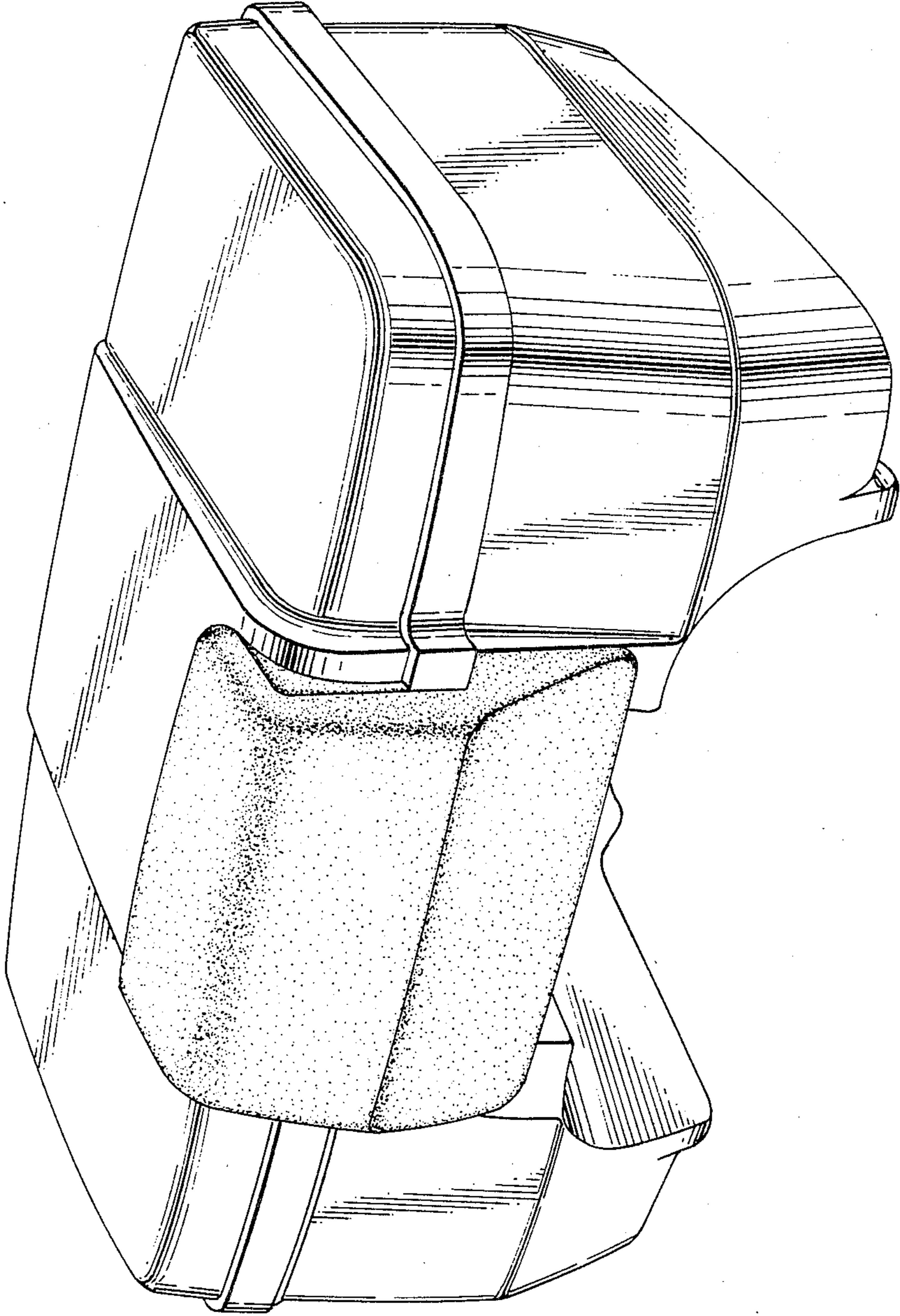


FIG. 2.

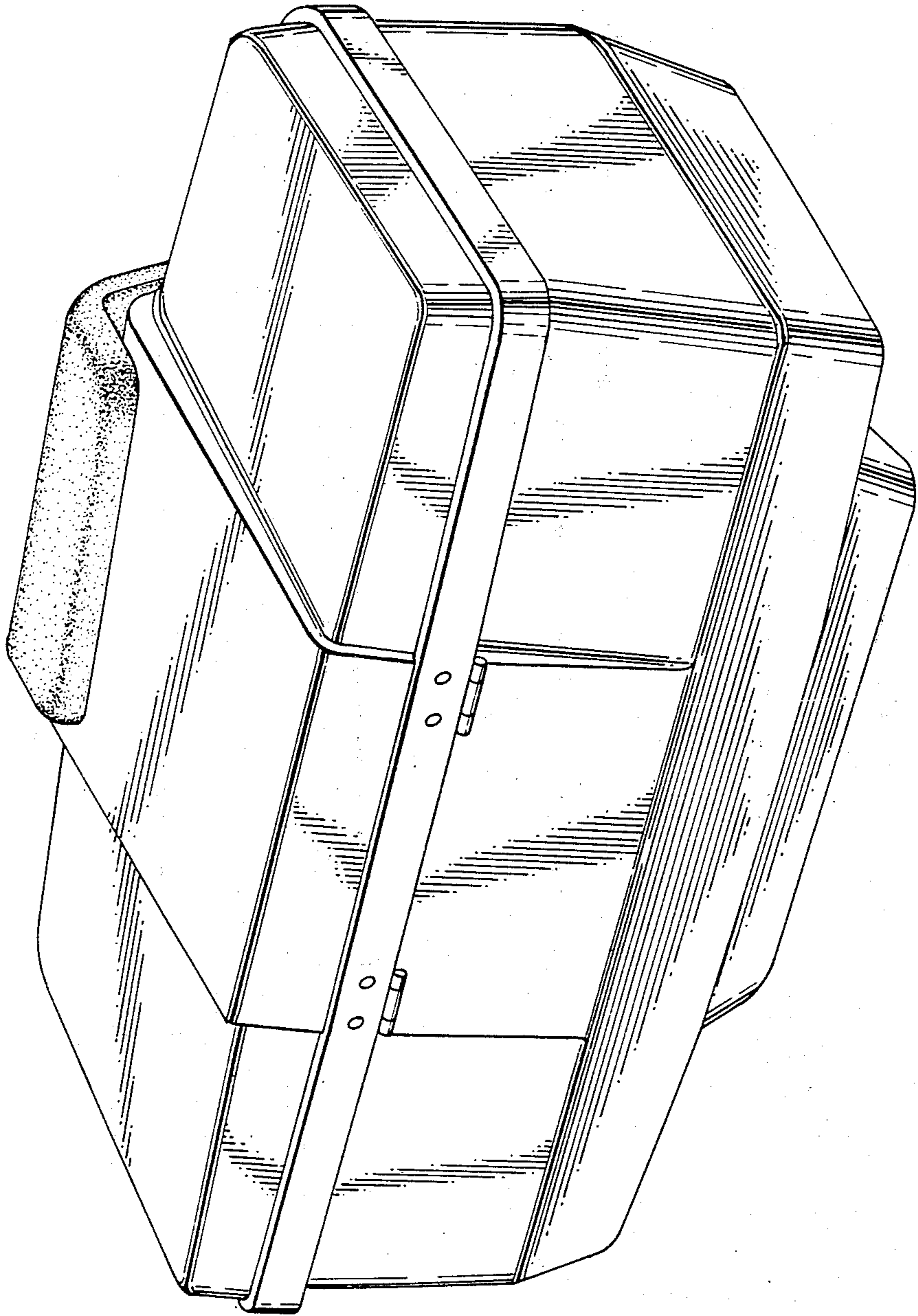


FIG. 3.

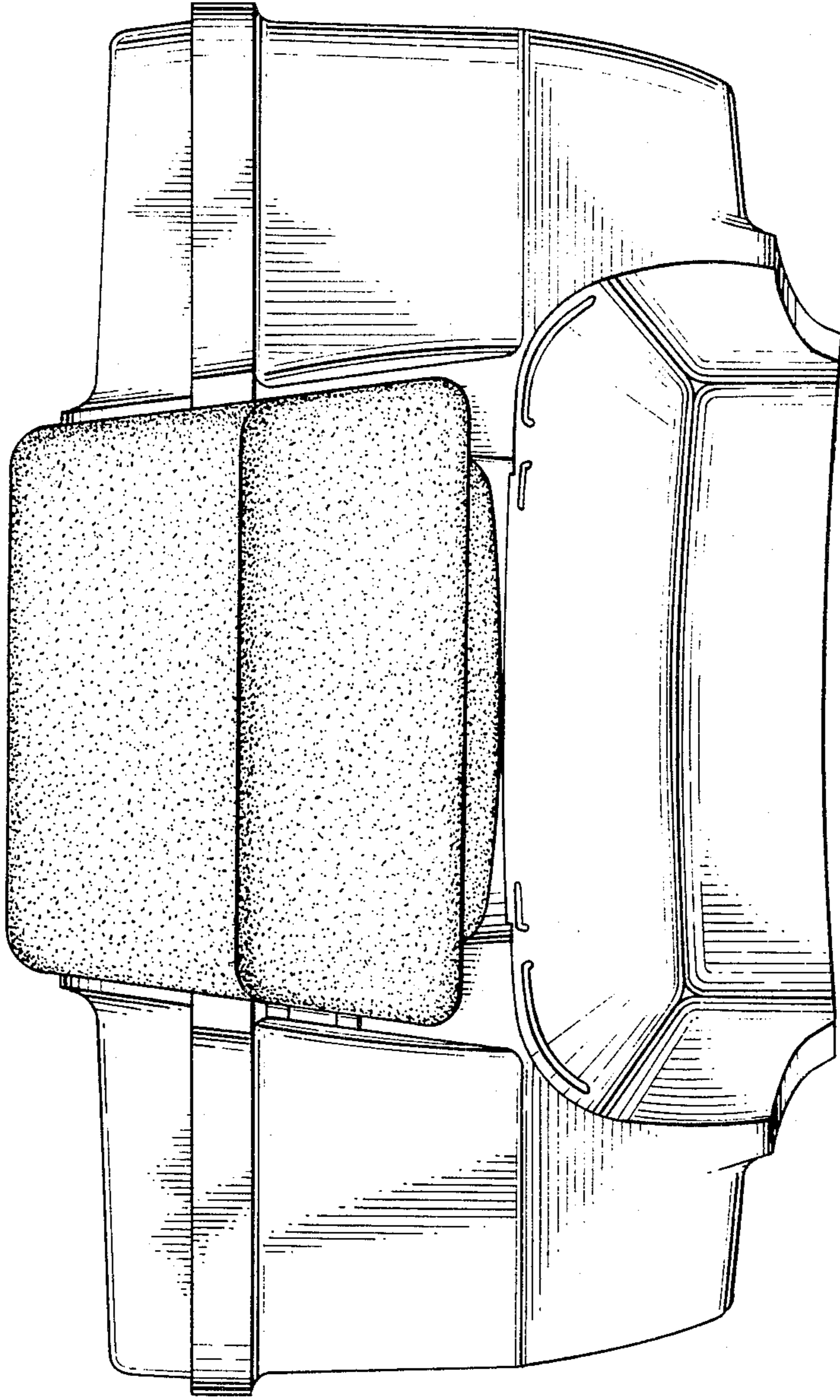


FIG. 4

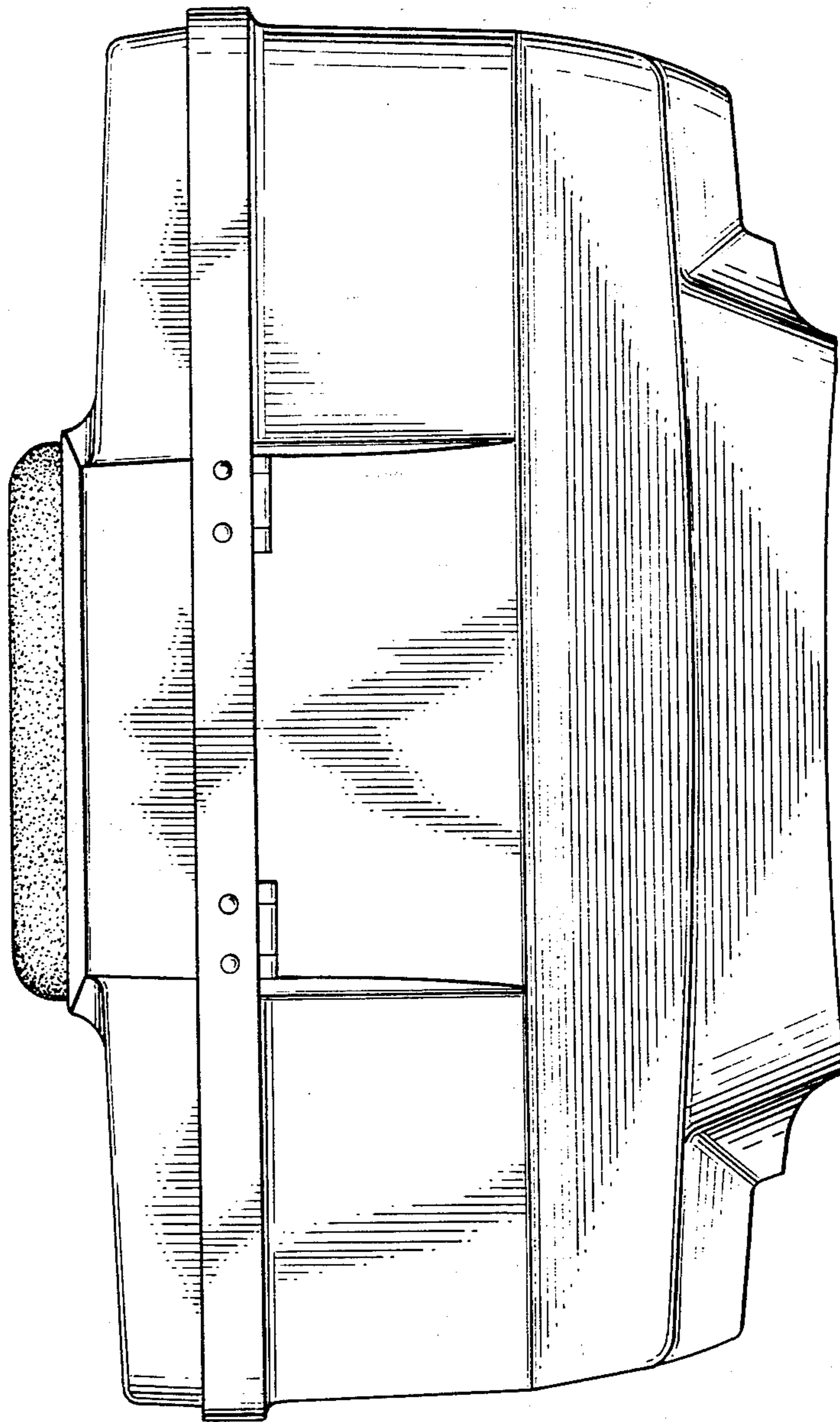


FIG. 5.

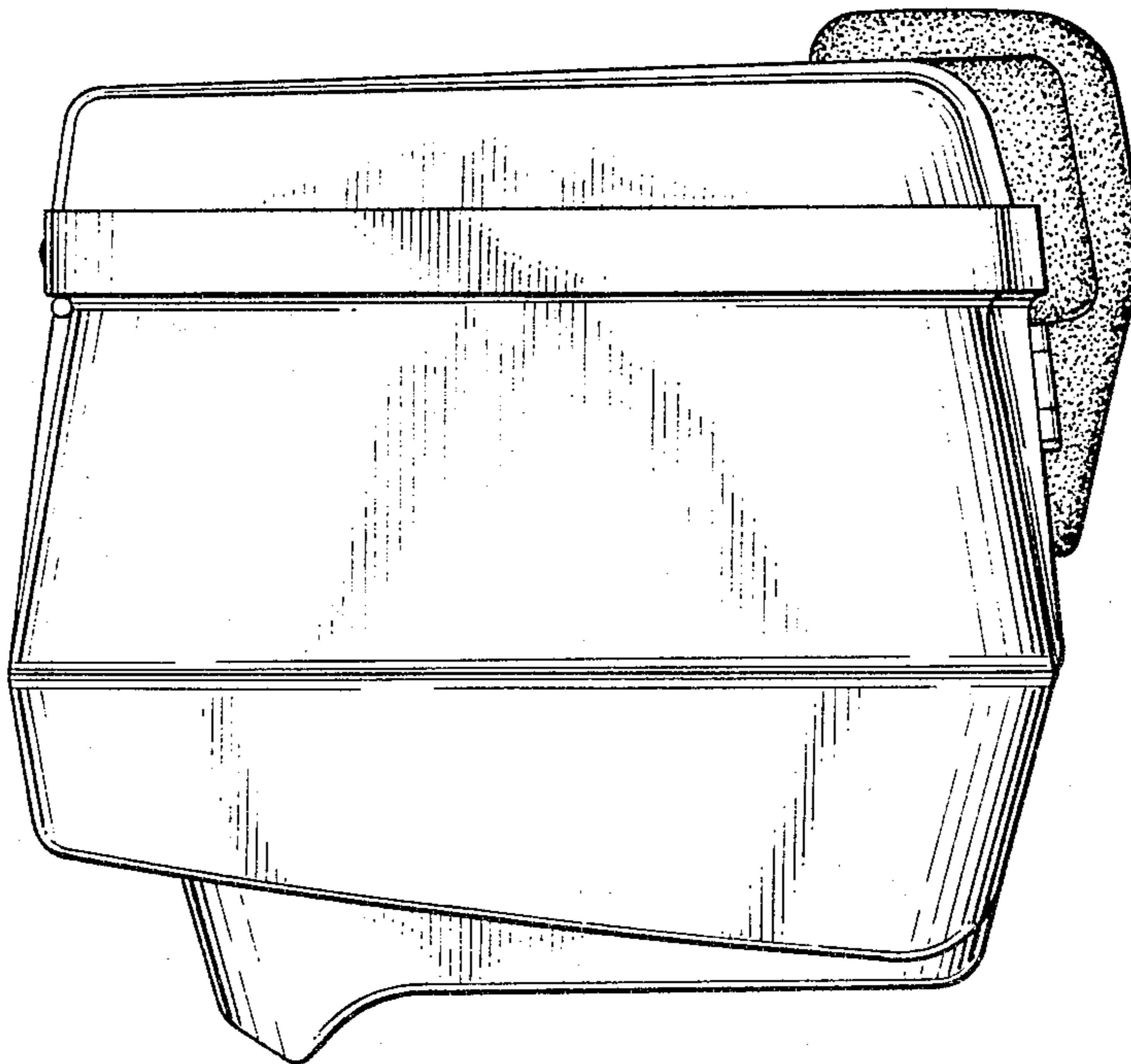


FIG. 6.

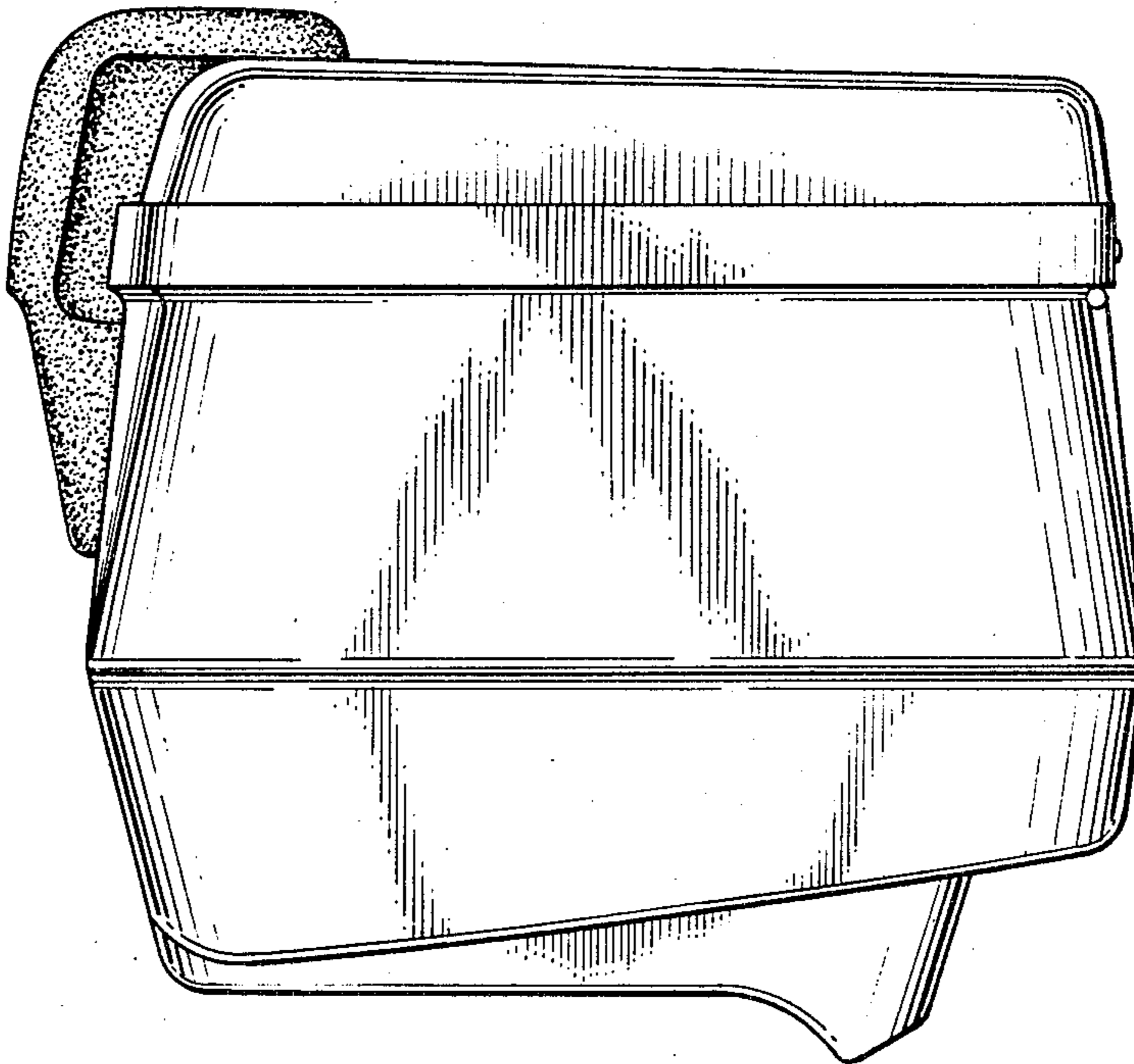


FIG. 7.

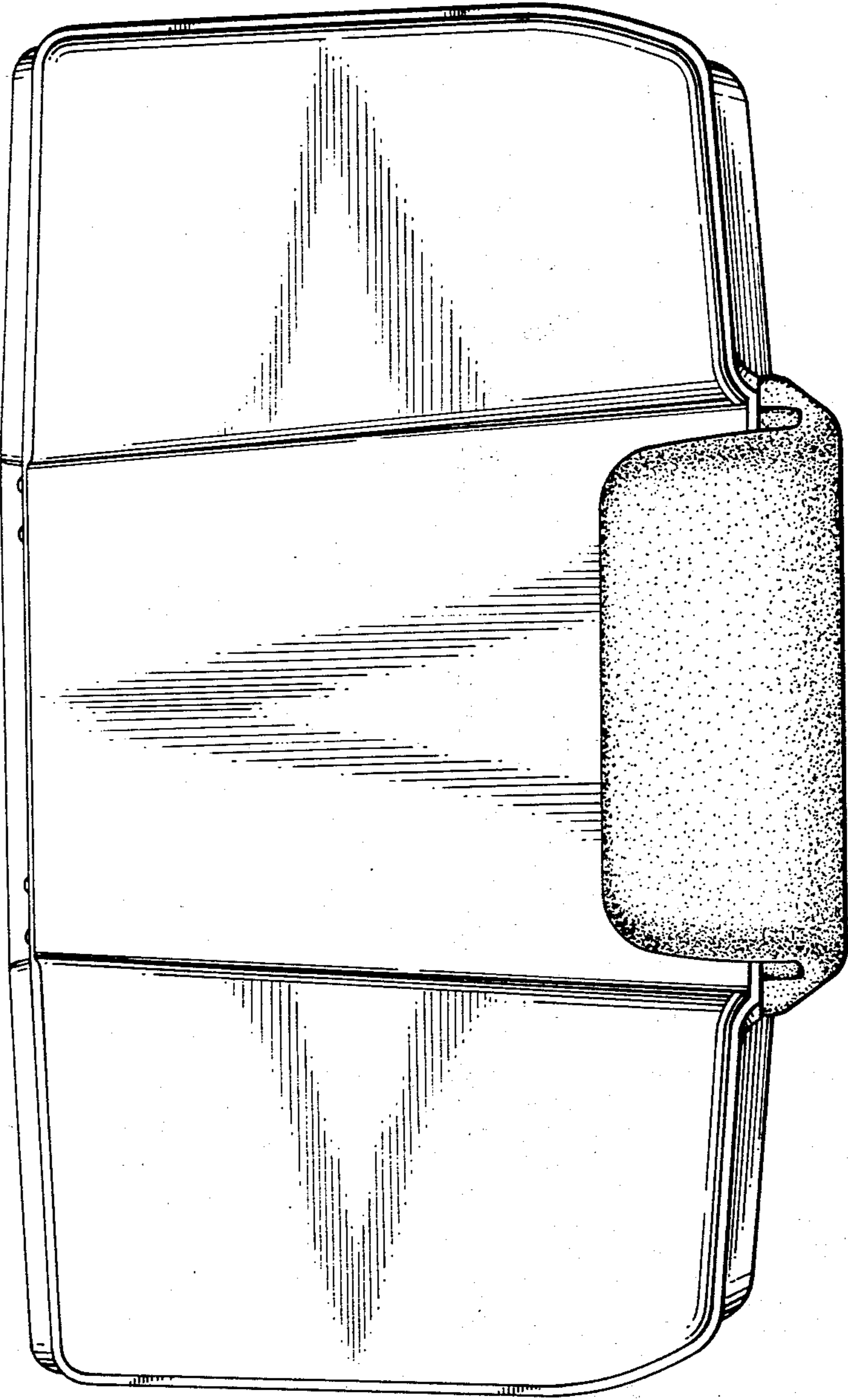


FIG. 8.

