

[54] CASSEROLE DISH COVER OR THE LIKE

[75] Inventors: Robert H. C. M. Daenen, Hekelgem; Pieter K. J. DeCoster, Aalst, both of Belgium; Martin J. Wolff, North Providence, R.I.

[73] Assignee: Dart Industries Inc., Northbrook, Ill.

[**] Term: 14 Years

[21] Appl. No.: 637,675

[22] Filed: Aug. 3, 1984

[52] U.S. Cl. D7/40

[58] Field of Search D7/40, 391, 392, 387, D7/17, 16, 18, 20, 76, 354, 360

[56] References Cited

U.S. PATENT DOCUMENTS

D. 62,822	8/1923	Kintz	D7/17
D. 80,848	4/1930	McCartney	D7/17
D. 131,965	4/1942	Poglein	D7/17
D. 147,673	10/1947	Lester et al.	D7/21
D. 174,995	6/1955	Orenick	D7/1
D. 188,285	6/1960	Scavullo	D7/20
D. 230,338	2/1974	Andre	D7/35
D. 232,065	7/1974	Daenen	D7/16
D. 248,076	6/1978	Christian	D7/20
D. 271,075	10/1983	Daenen et al.	D7/391
D. 275,636	9/1984	Picozza	D7/40
D. 276,114	10/1984	Conti et al.	D7/16
D. 280,058	8/1985	Carlson	D7/16

D. 281,758	12/1985	Trombly	D7/17 X
2,567,322	9/1951	Curtis	220/60
3,130,857	4/1964	Burdick et al.	220/43
3,815,736	12/1971	Sedlak	D7/40 X
4,010,867	3/1977	Jones	220/66

OTHER PUBLICATIONS

House Beautiful, Jan., 1978, p. 83, top center panel, Micro/Ovenware Casserole from Heller.

Bloomington's Necessary Objects, p. 32, top panel item "D" Covered Casserole—Country Cupboard by Jepcor.

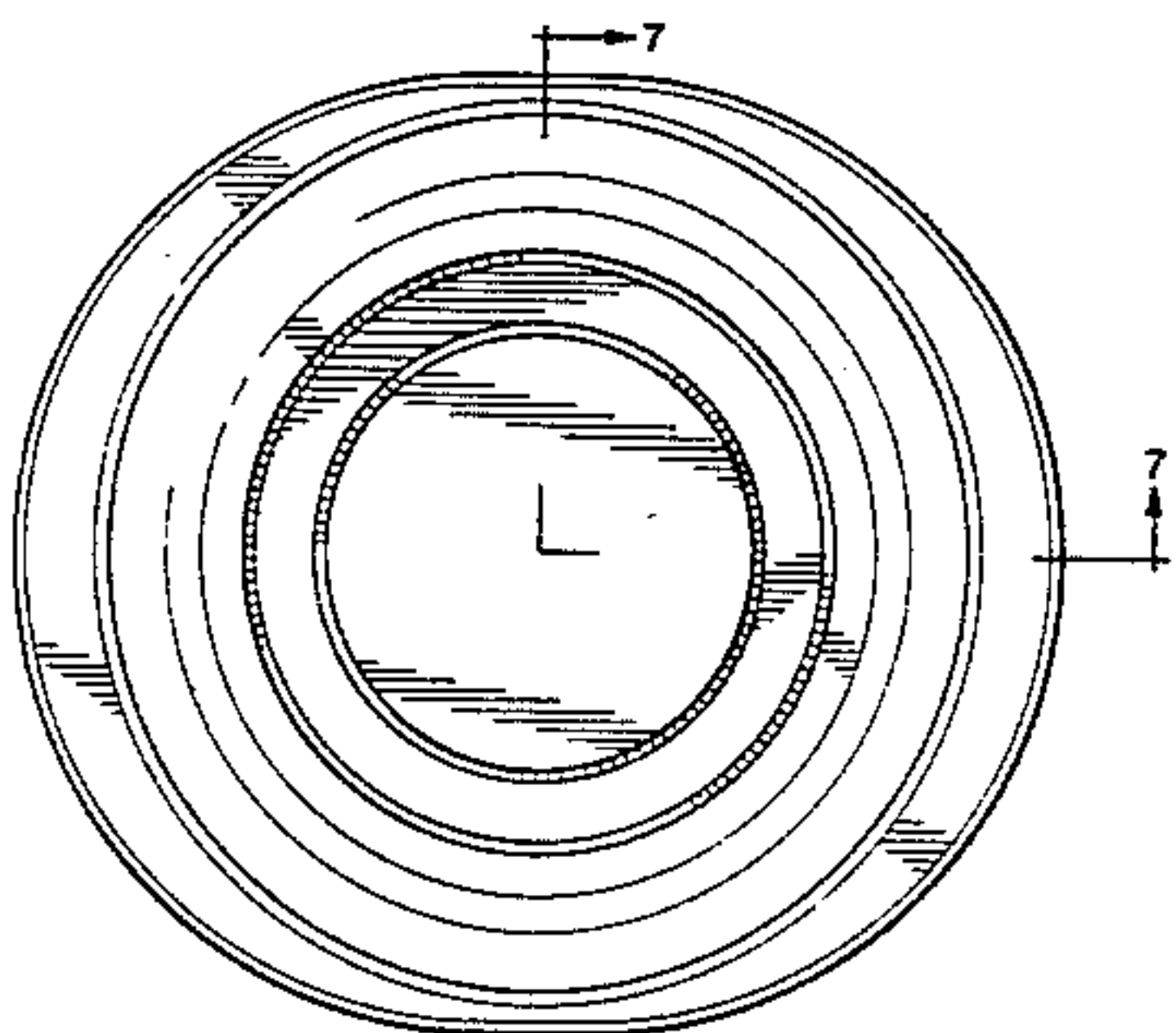
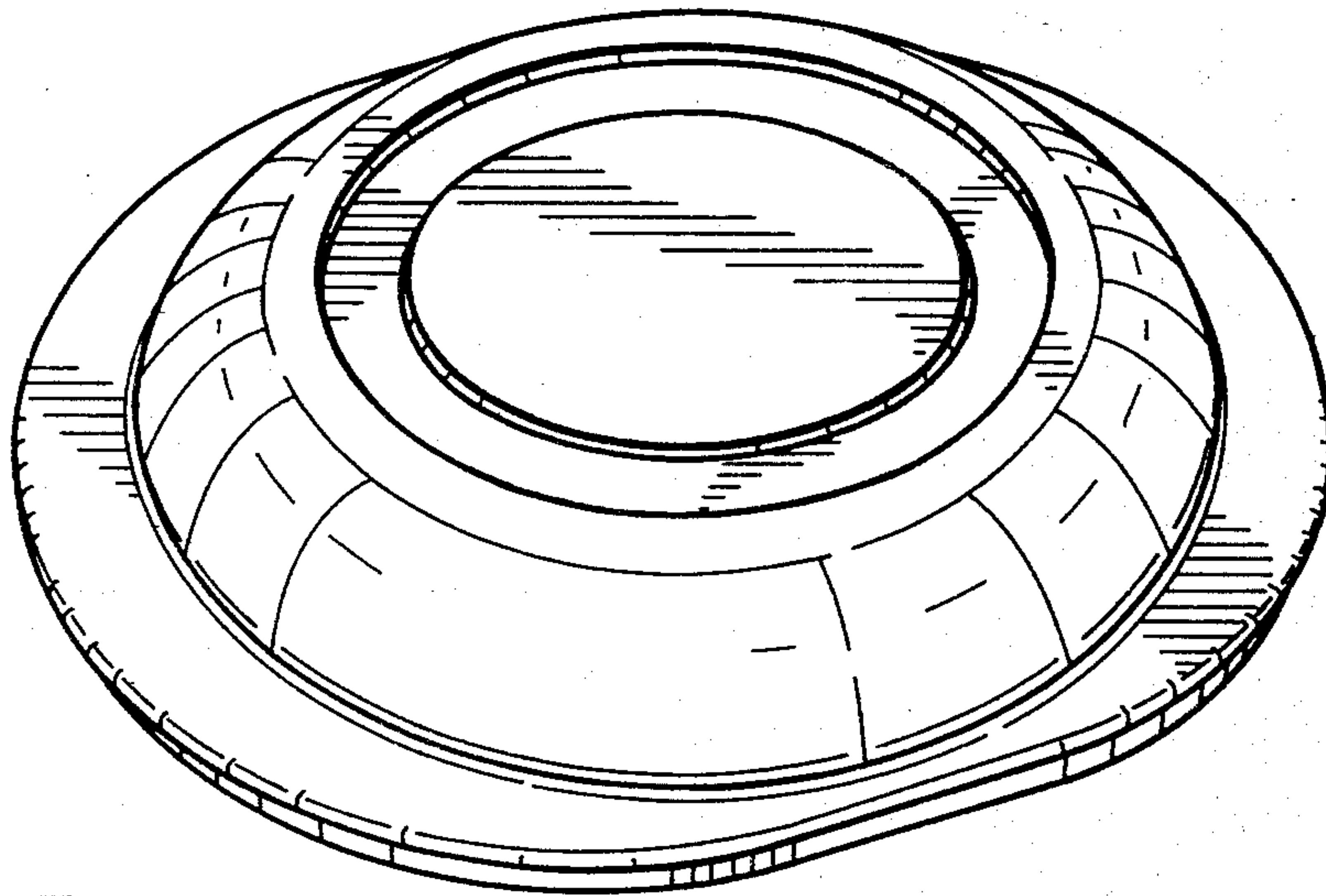
Primary Examiner—Winifred E. Herrmann
Attorney, Agent, or Firm—John A. Doninger

[57] CLAIM

The ornamental design for a casserole dish cover or the like, substantially as shown.

DESCRIPTION

FIG. 1 is a top perspective view of the casserole dish cover or the like showing our new design; FIG. 2 is a bottom perspective view thereof; FIG. 3 is a front elevational view thereof; the rear elevation opposite thereto being identical; FIG. 4 is a side elevational view thereof; the side opposite being identical thereto; FIG. 5 is a top plan view thereof; FIG. 6 is a bottom plan view thereof; and FIG. 7 is a cross-sectional view taken along line 7—7 of FIG. 5.



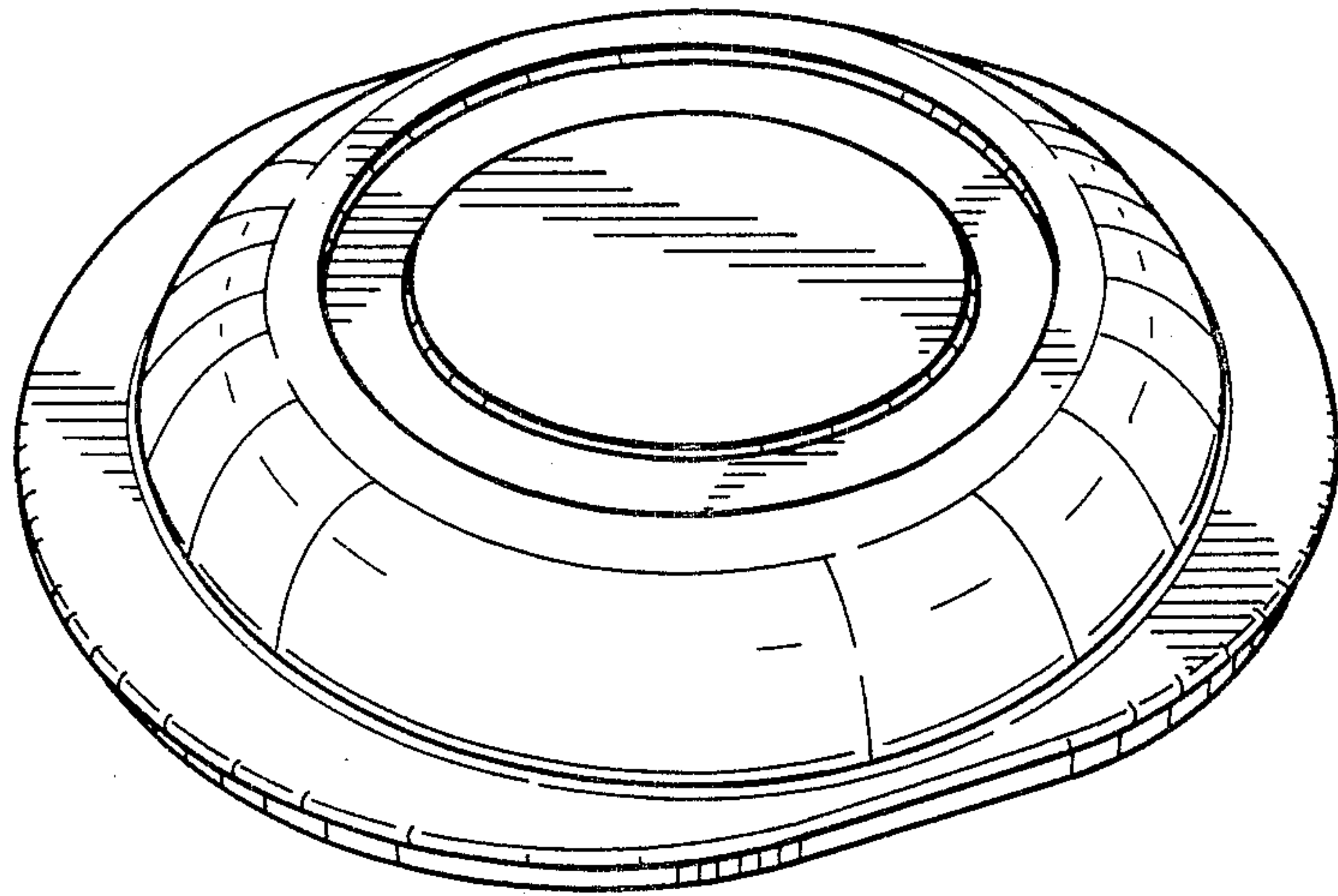


FIG. 1

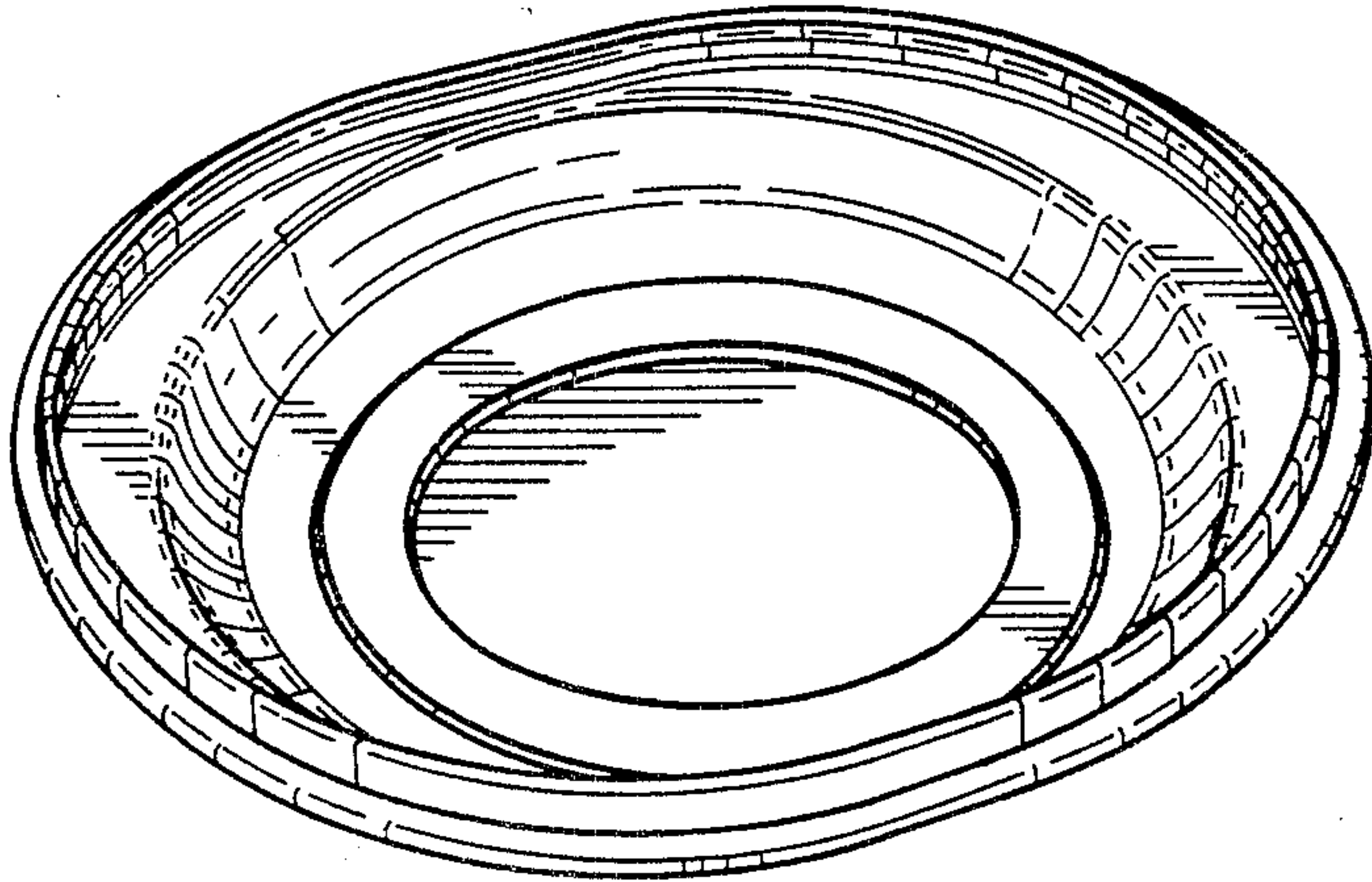


FIG. 2

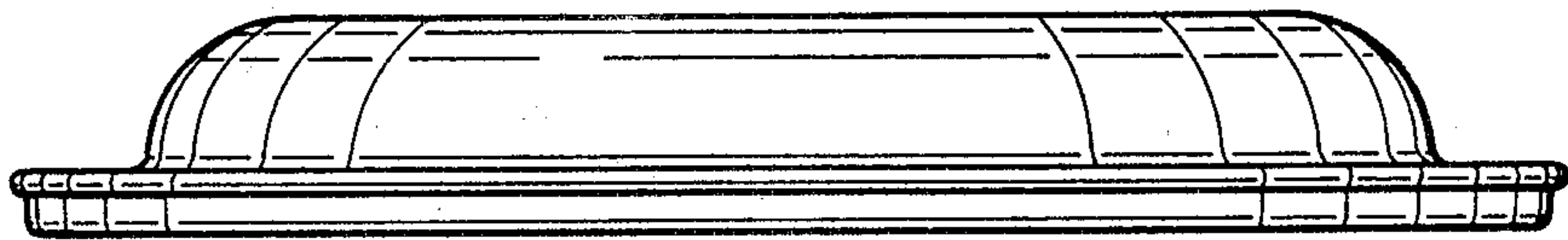


FIG. 3

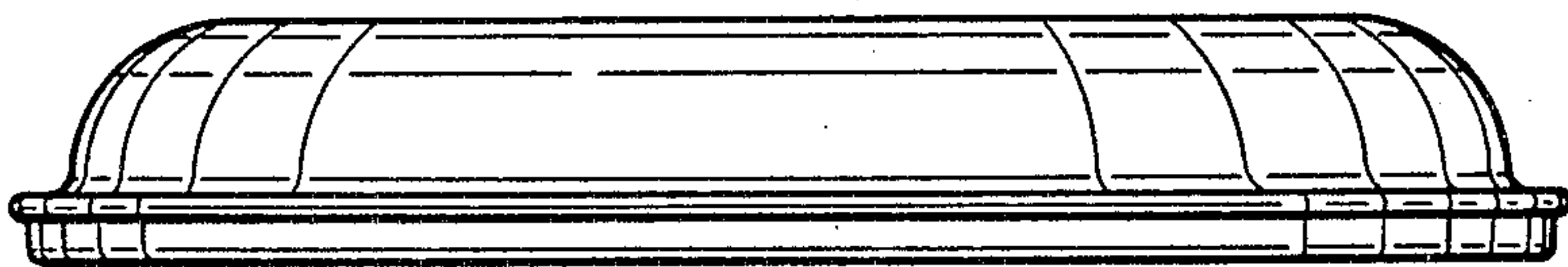


FIG. 4

