

[54] CASSEROLE DISH COVER OR THE LIKE
 [75] Inventors: Robert H. C. M. Daenen, Hekelgem;
 Pieter K. J. DeCoster, Aalst, both of
 Belgium; Martin J. Wolff, North
 Providence, R.I.

D. 276,114 10/1984 Conti et al. D7/16
 D. 281,758 12/1985 Trombly D7/17
 2,567,322 9/1951 Curtis 220/60
 3,130,857 4/1964 Burdick et al. 220/43
 4,010,867 3/1977 Jones 220/66

[73] Assignee: Dart Industries Inc., Northbrook, Ill.
 [**] Term: 14 Years

OTHER PUBLICATIONS

House Beautiful, Jan., 1978, p. 83, top center panel,
 Micro/Ovenware Casserole from Heller.

[21] Appl. No.: 637,672
 [22] Filed: Aug. 3, 1984
 [52] U.S. Cl. D7/40; D7/20
 [58] Field of Search D7/40, 391, 392, 387,
 D7/17, 16, 20, 18, 76, 354, 360

Primary Examiner—Winifred E. Herrmann
 Attorney, Agent, or Firm—John A. Doninger

[57] CLAIM

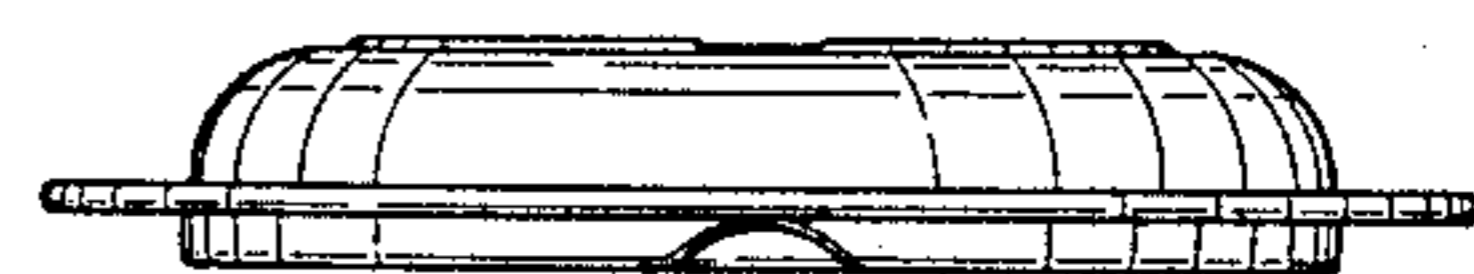
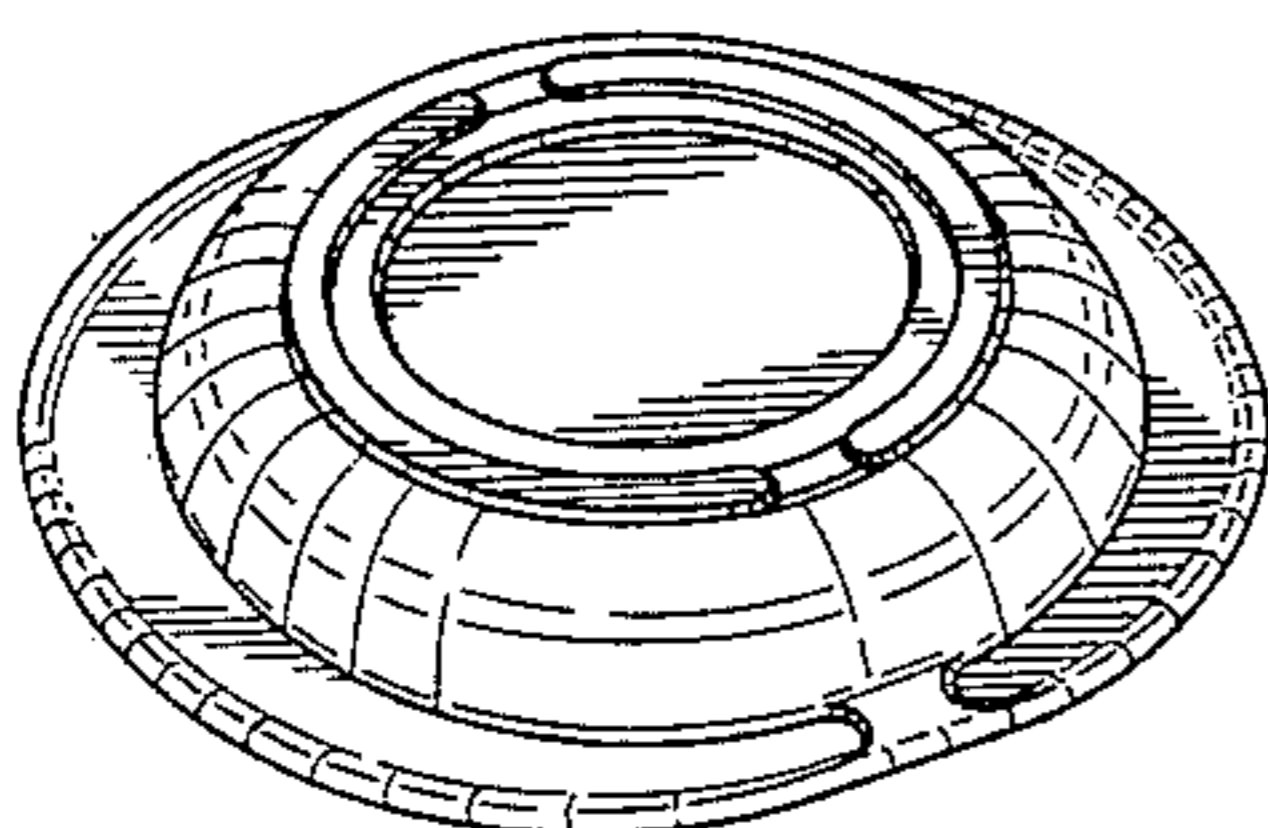
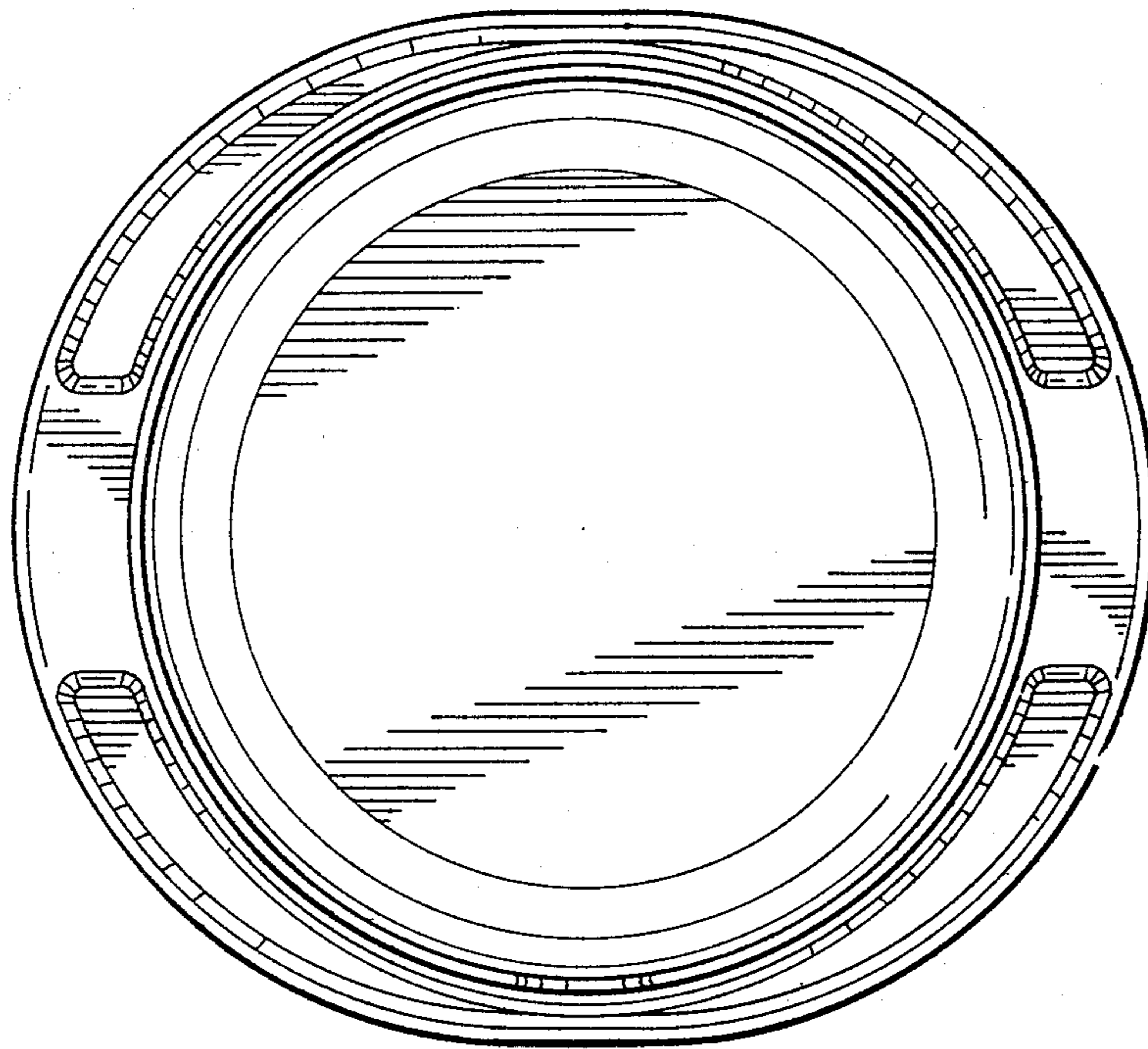
The ornamental design for a casserole dish cover or the
 like, substantially as shown.

[56] References Cited
 U.S. PATENT DOCUMENTS

DESCRIPTION

D. 62,822	8/1923	Kintz	D7/17
D. 80,848	4/1930	McCartney	D7/17
D. 131,965	4/1942	Poglein	D7/17
D. 147,673	10/1947	Lester et al.	D7/21
D. 174,995	6/1955	Orenick	D7/1
D. 188,285	6/1960	Scavullo	D7/20
D. 230,338	2/1974	Andre	D7/35
D. 232,065	7/1974	Daenen	D7/16
D. 248,076	6/1978	Christian	D7/20
D. 271,075	10/1983	Daenen et al.	D7/391
D. 275,636	9/1984	Picozza	D7/40

FIG. 1 is a top perspective view of a casserole dish
 cover or the like showing our new design;
 FIG. 2 is a bottom perspective view thereof;
 FIG. 3 is a front elevational view thereof;
 FIG. 4 is a side elevational view thereof; the side oppo-
 site being identical thereto;
 FIG. 5 is a rear elevational view thereof;
 FIG. 6 is a top plan view thereof;
 FIG. 7 is a bottom plan view thereof; and
 FIG. 8 is a cross-sectional view taken along line 8—8 of
 FIG. 6.



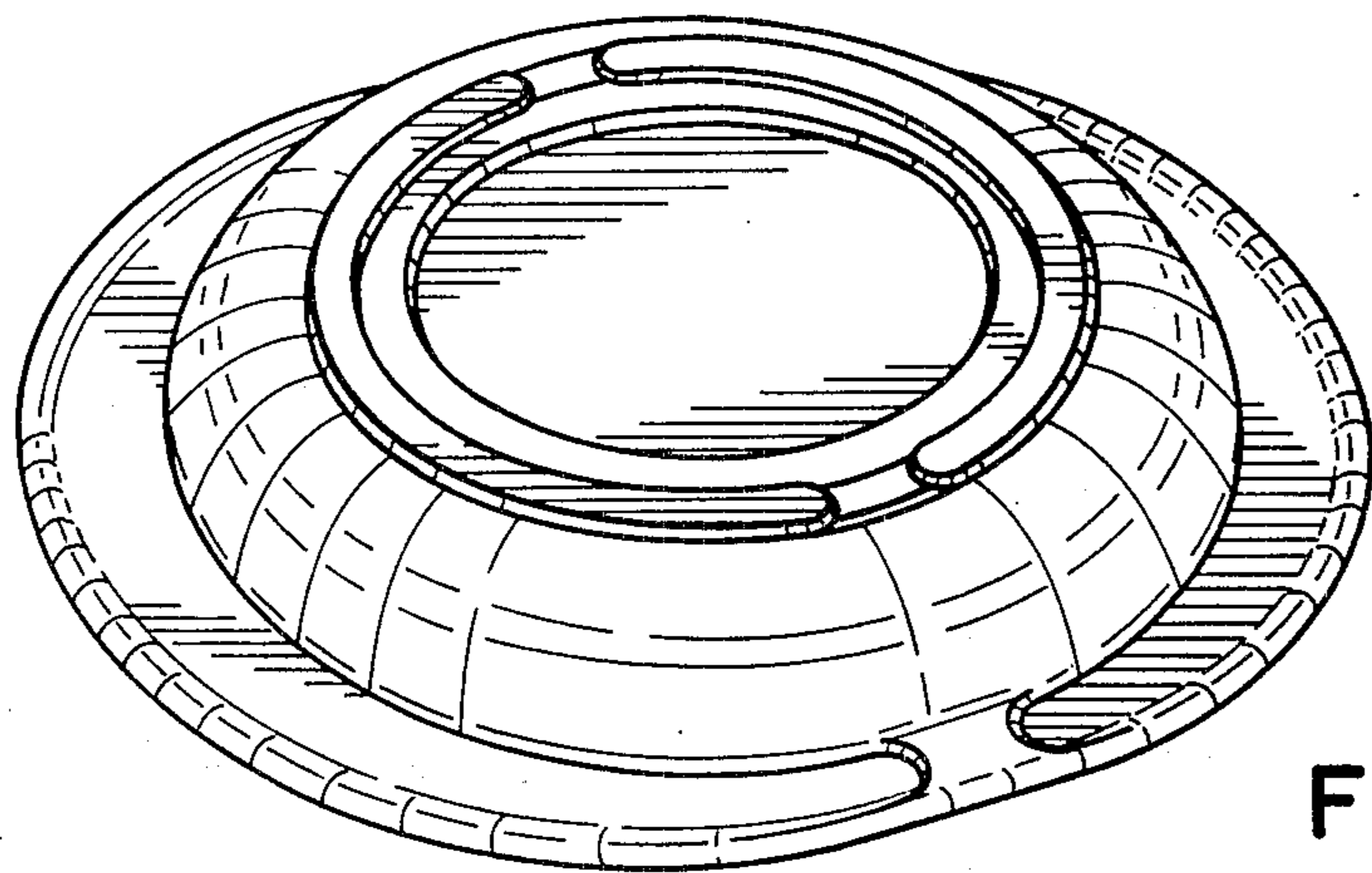


FIG. 1

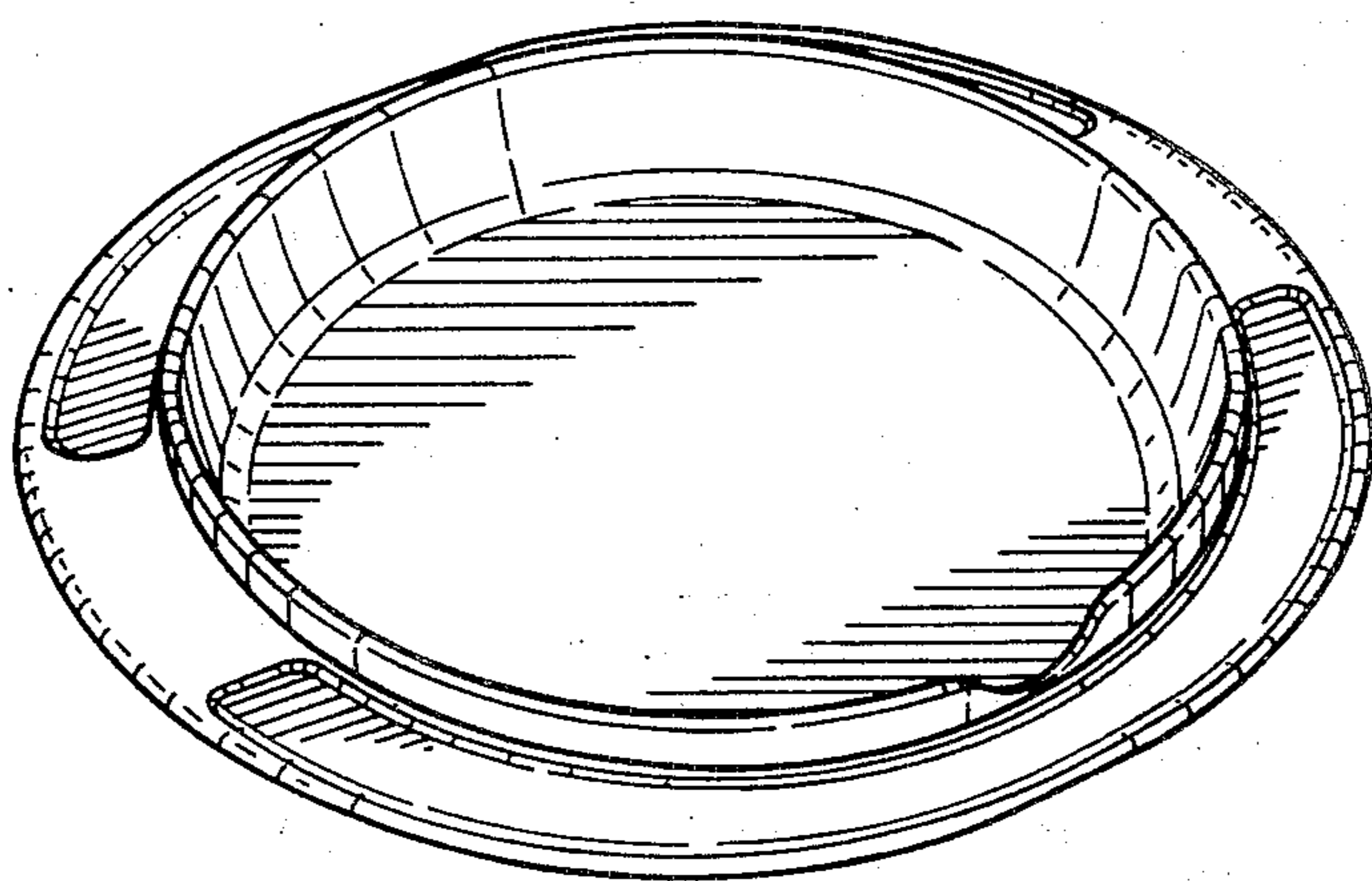


FIG. 2

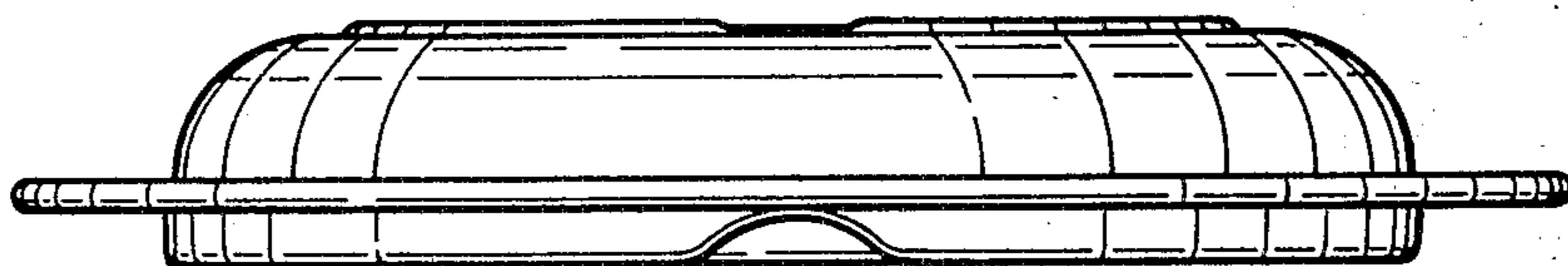


FIG. 3

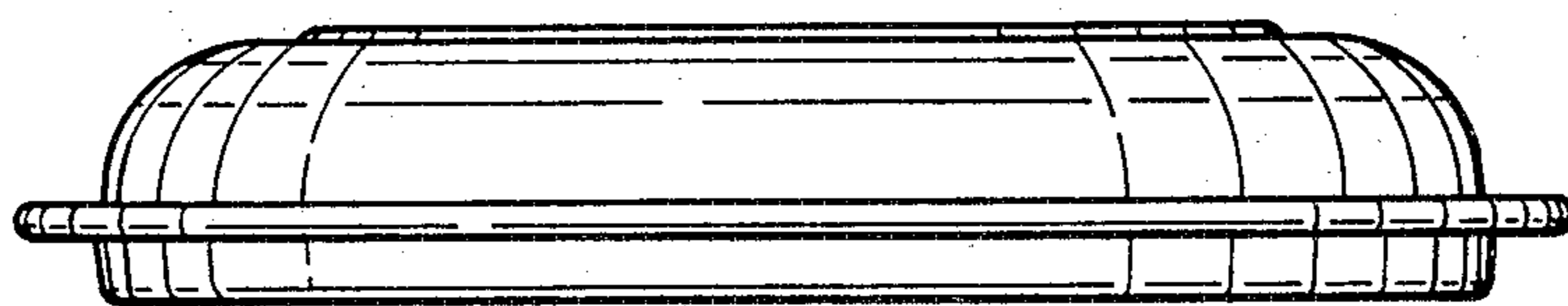


FIG. 4

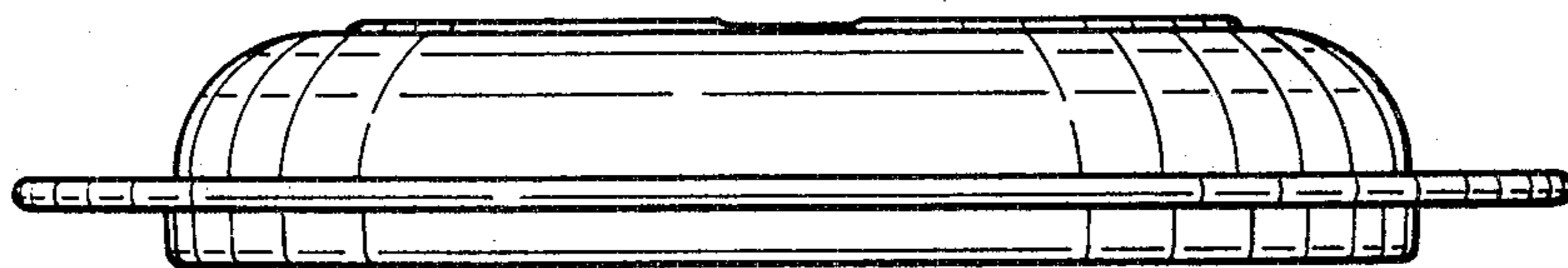


FIG. 5

