

[54] WIRE SUPPORT SHELF

4,318,487 3/1982 McCarthy 211/134
4,483,446 11/1984 Miller et al. 211/153

[75] Inventor: Antoine Trubiano, Pointe aux Trembles, Canada

Primary Examiner—Wallace R. Burke
Assistant Examiner—Suzanne N. Gitlin
Attorney, Agent, or Firm—Oblon, Fisher, Spivak, McClelland & Maier

[73] Assignee: Cari-All Inc., Quebec, Canada

[**] Term: 14 Years

[57] CLAIM

[21] Appl. No.: 602,365

The ornamental design for a wire support shelf, as shown and described.

[22] Filed: Apr. 20, 1984

[52] U.S. Cl. D6/566

[58] Field of Search D6/512, 524, 553, 555, D6/566, 567, 574; 211/13, 16, 35, 40, 42-45, 47, 60.1, 61, 71, 74-75, 85-88, 113, 126, 128, 134, 153, 181; 248/311.2, 314, 243, 244, 235, 245, 297.2, 340, 333, 327, 315, 251; 108/27, 30, 47, 102, 107, 144, 148, 149, 152

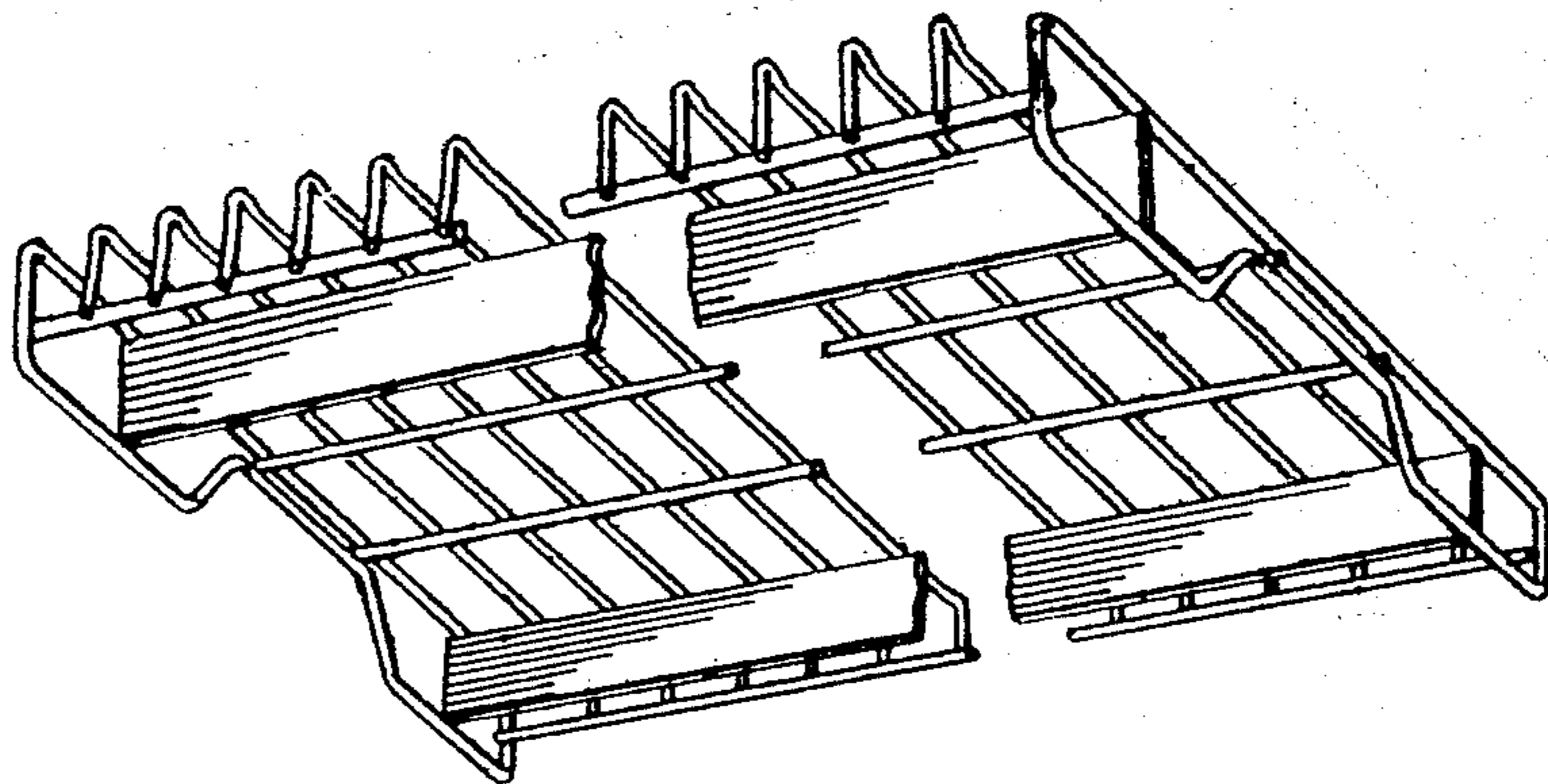
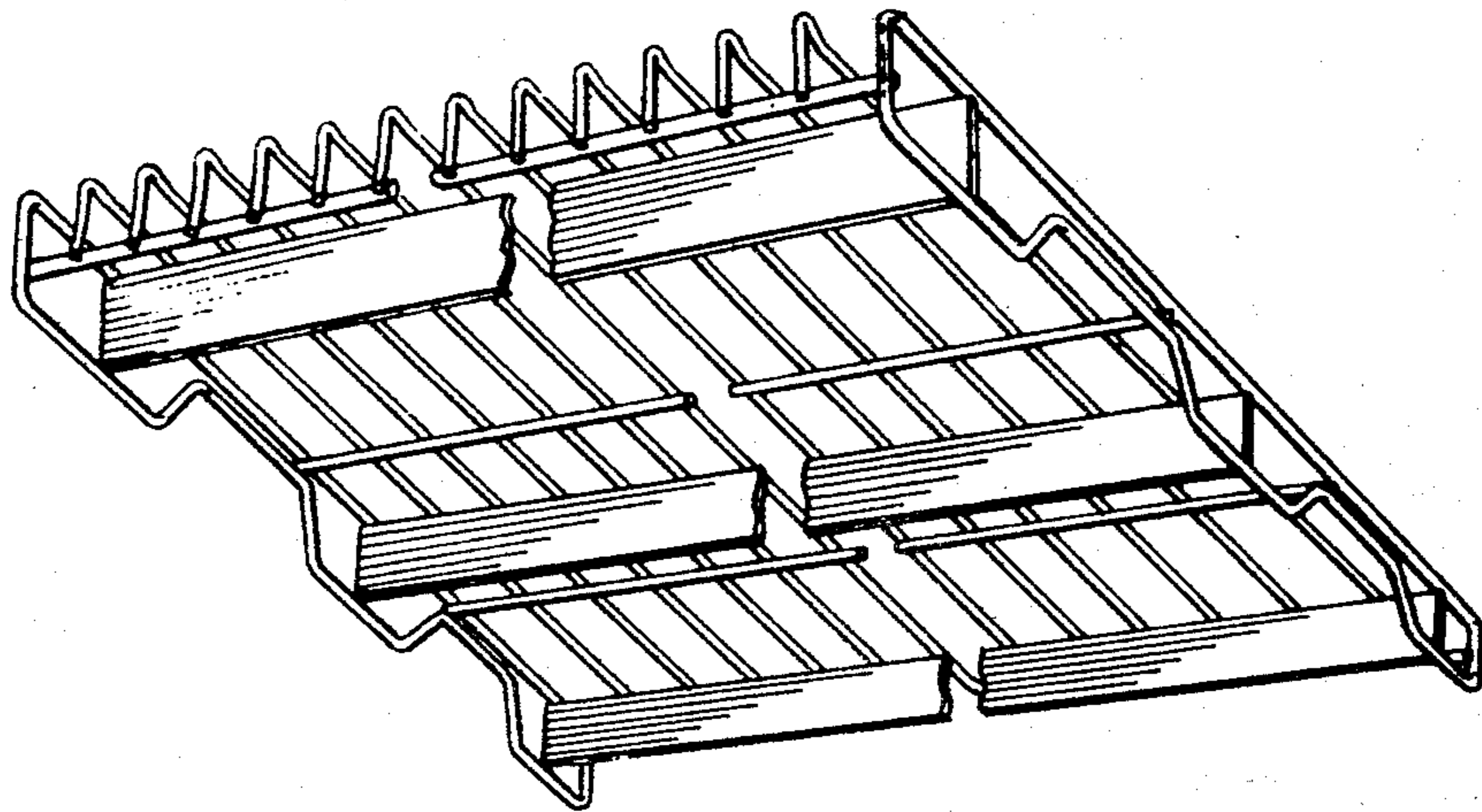
DESCRIPTION

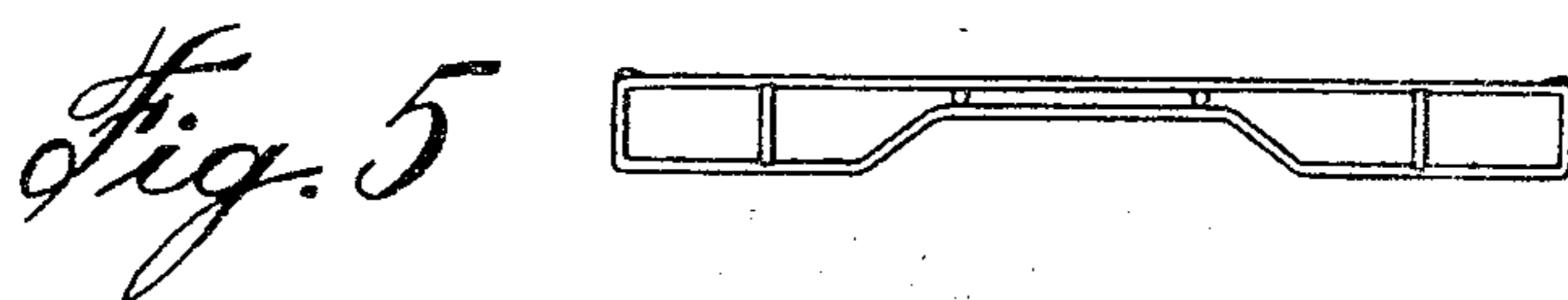
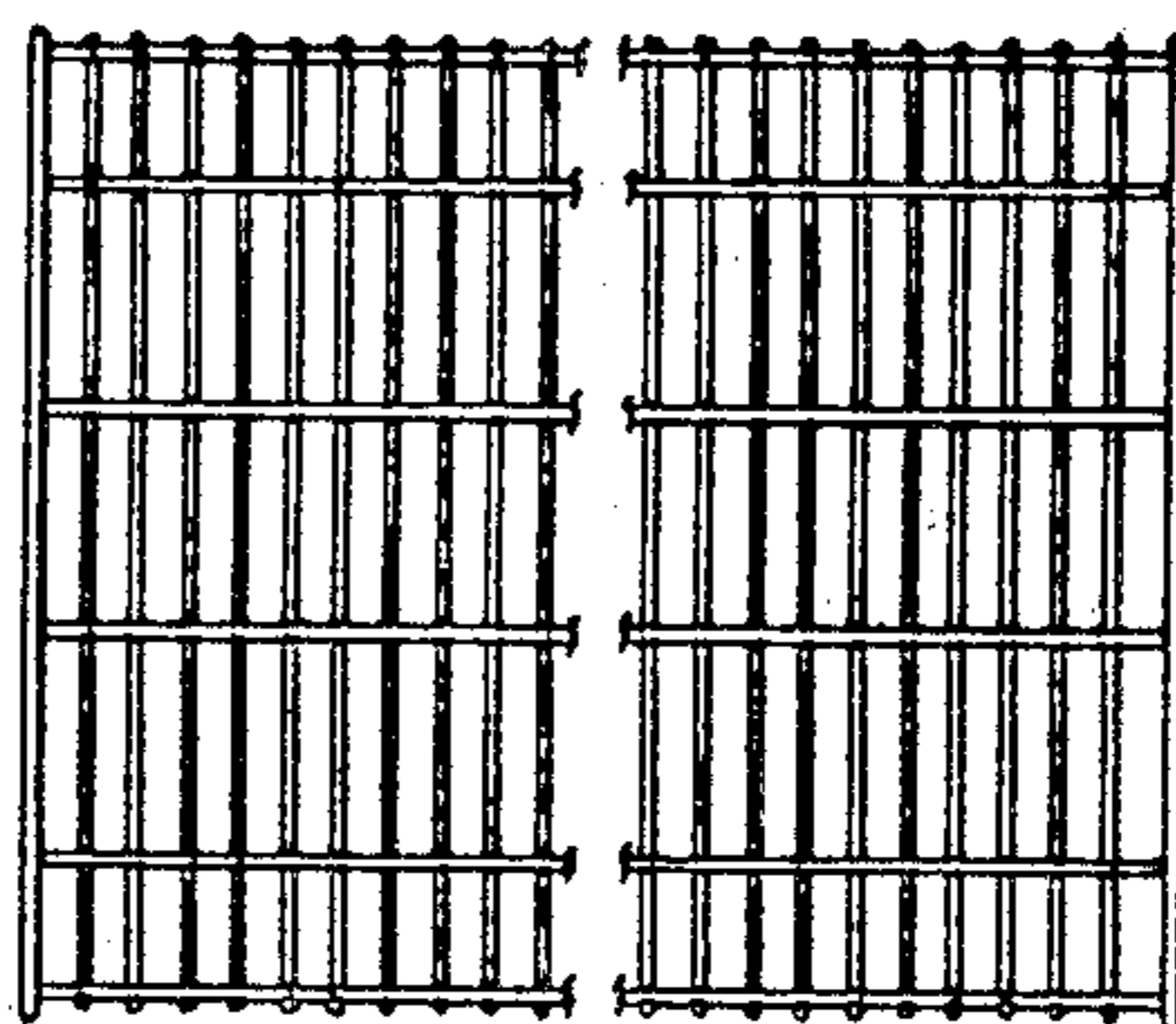
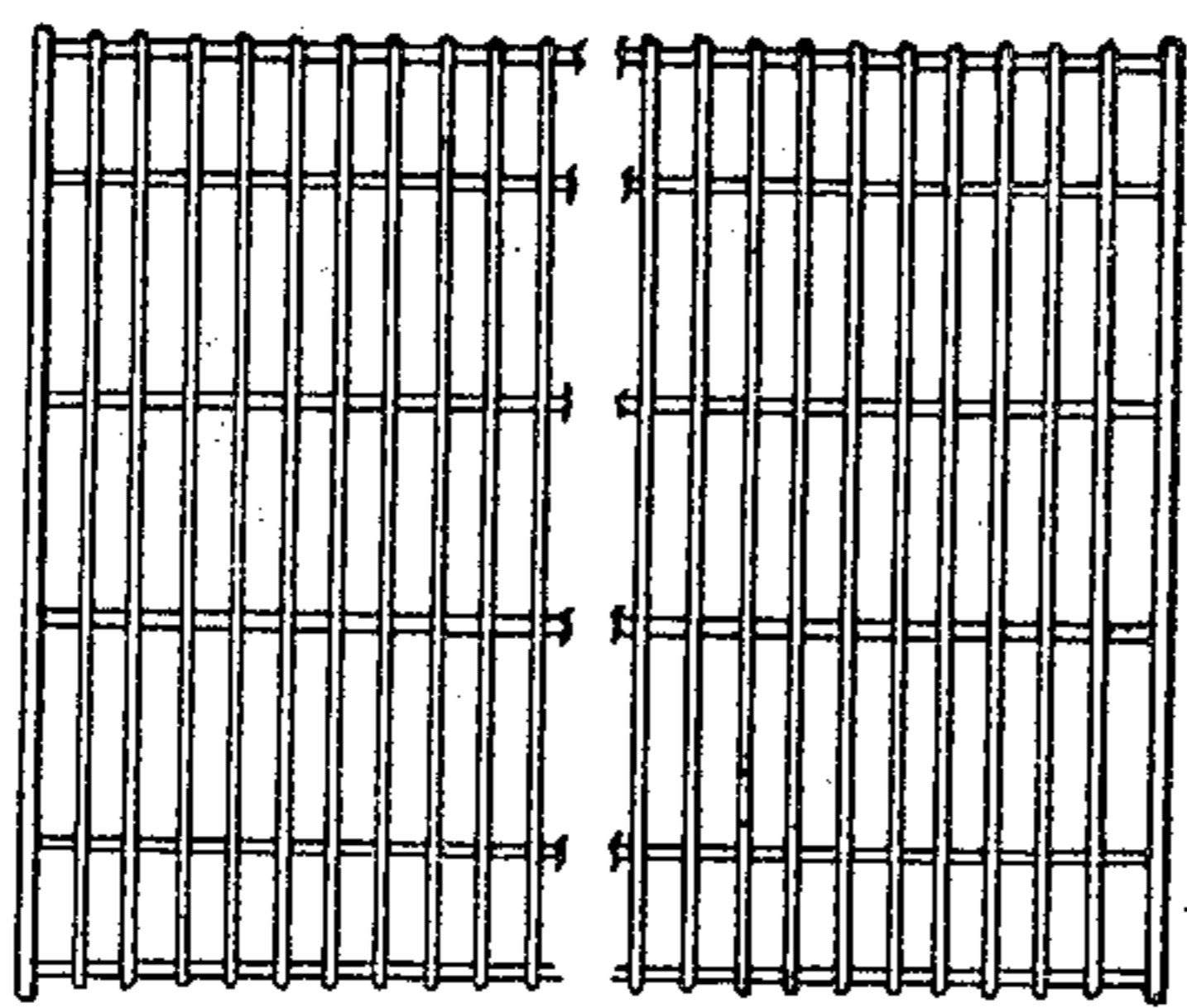
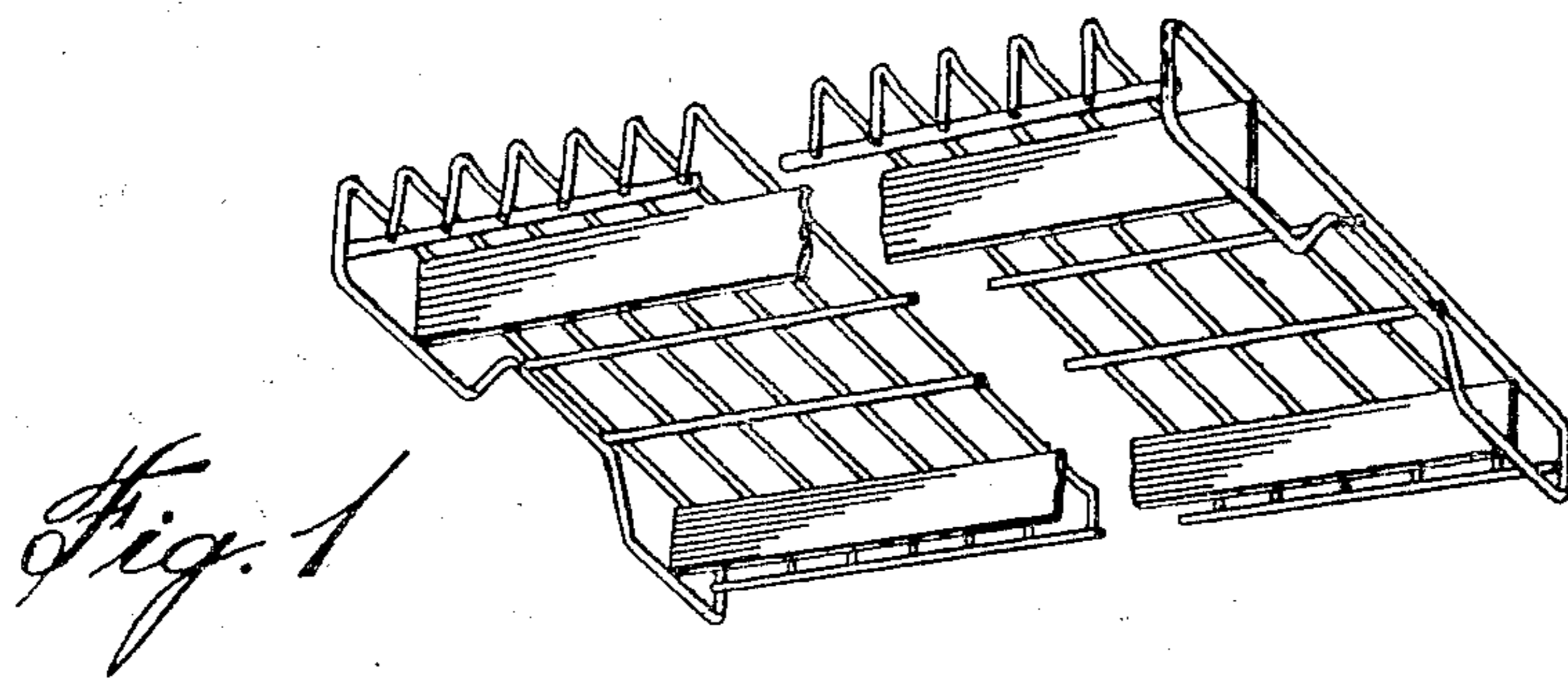
FIG. 1 is a bottom perspective view of a wire support shelf showing my new design, the shelf is shown broken away to indicate indeterminate length;
FIG. 2 is a reduced top plan view thereof;
FIG. 3 is a reduced bottom plan view thereof;
FIG. 4 is an enlarged side elevational view thereof;
FIG. 5 is an enlarged end elevational view thereof;
FIG. 6 is a bottom perspective view of a second embodiment of FIG. 1;
FIG. 7 is a reduced top plan view of FIG. 6;
FIG. 8 is a reduced bottom plan view of FIG. 6;
FIG. 9 is an enlarged side elevational view of FIG. 6;
FIG. 10 is an enlarged end elevational view of FIG. 6.

[56] References Cited

U.S. PATENT DOCUMENTS

D. 242,888	1/1977	Mazie et al.	D6/566
D. 266,130	9/1982	Gimmi et al.	D6/566
2,517,385	8/1950	Clark	211/90
4,250,815	2/1981	Swanson	248/243
4,267,931	5/1981	Belotta	108/102





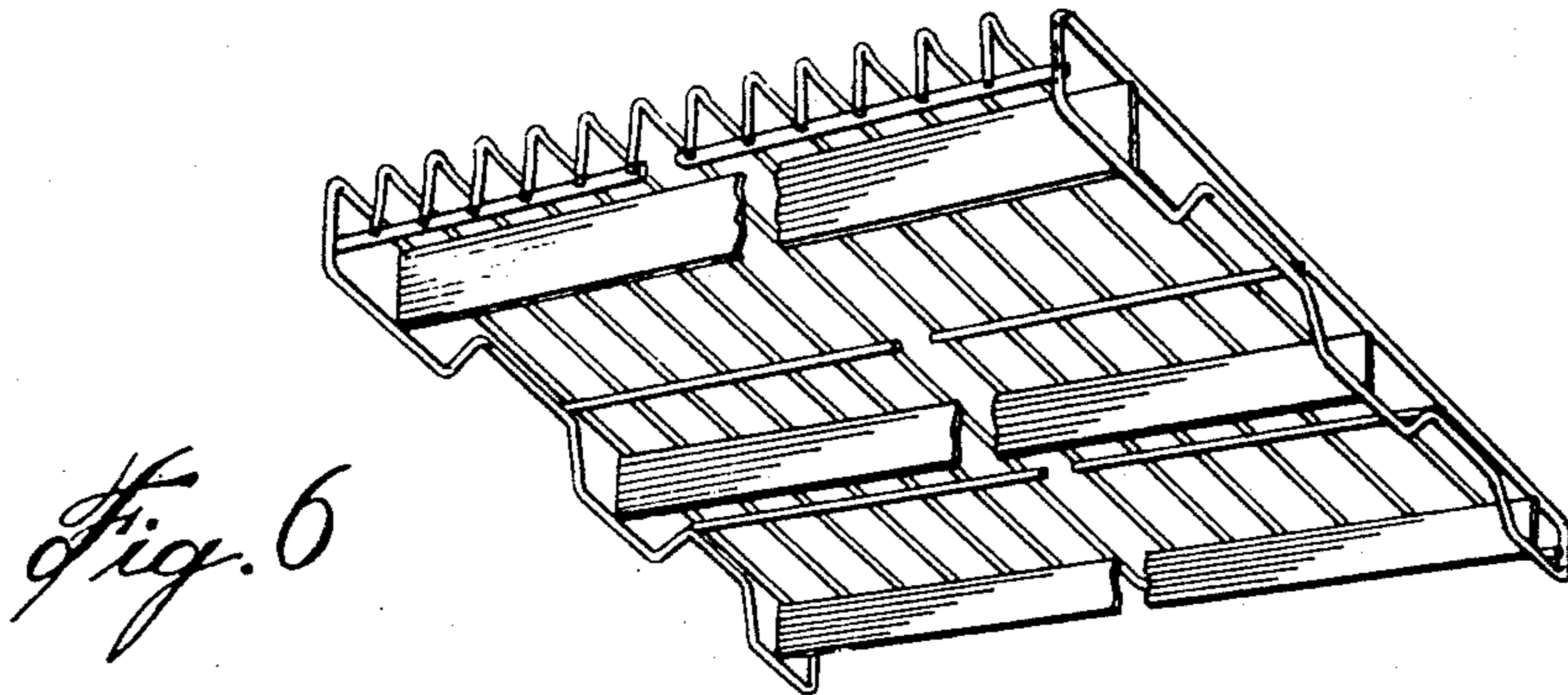


Fig. 6

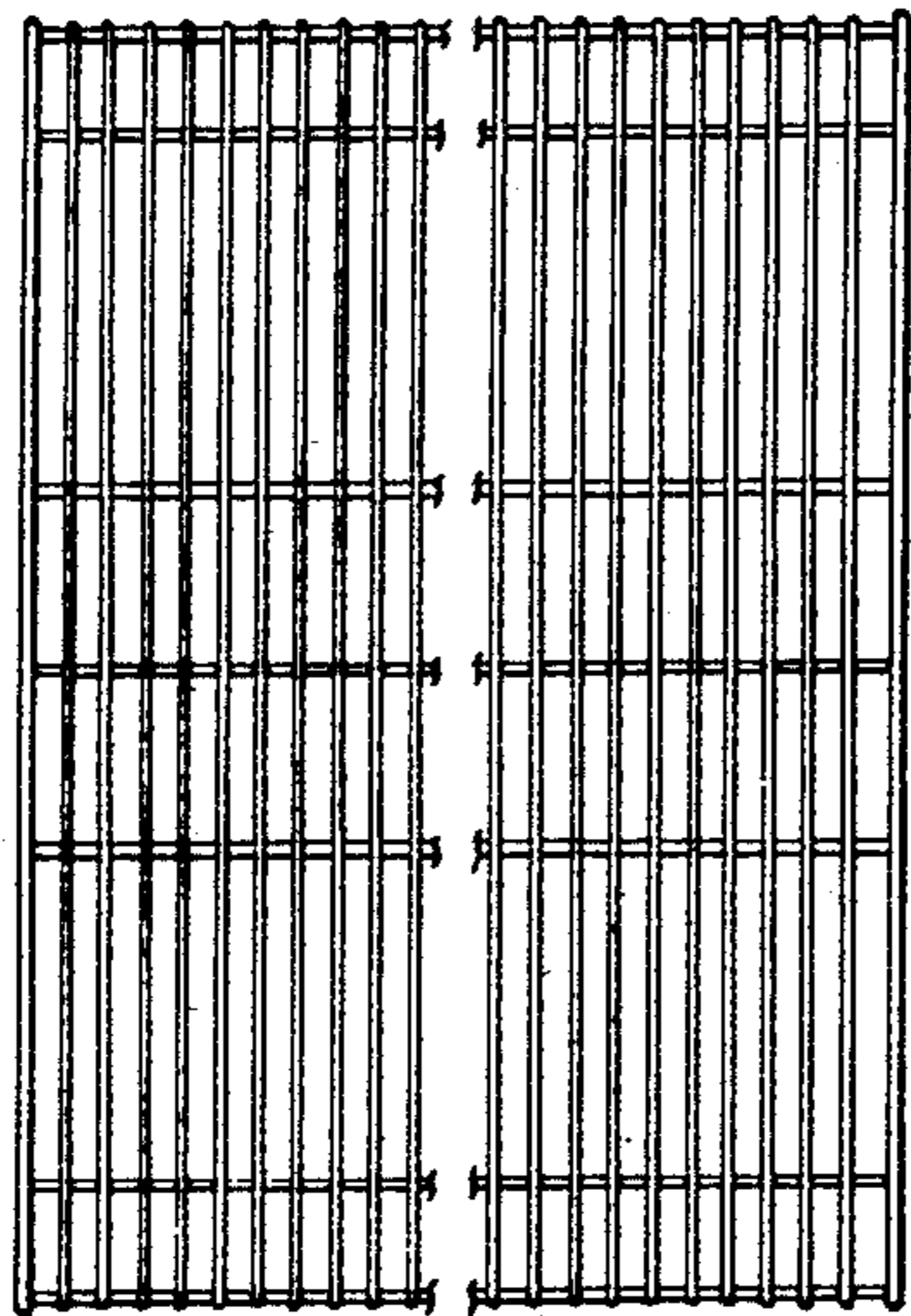


Fig. 7

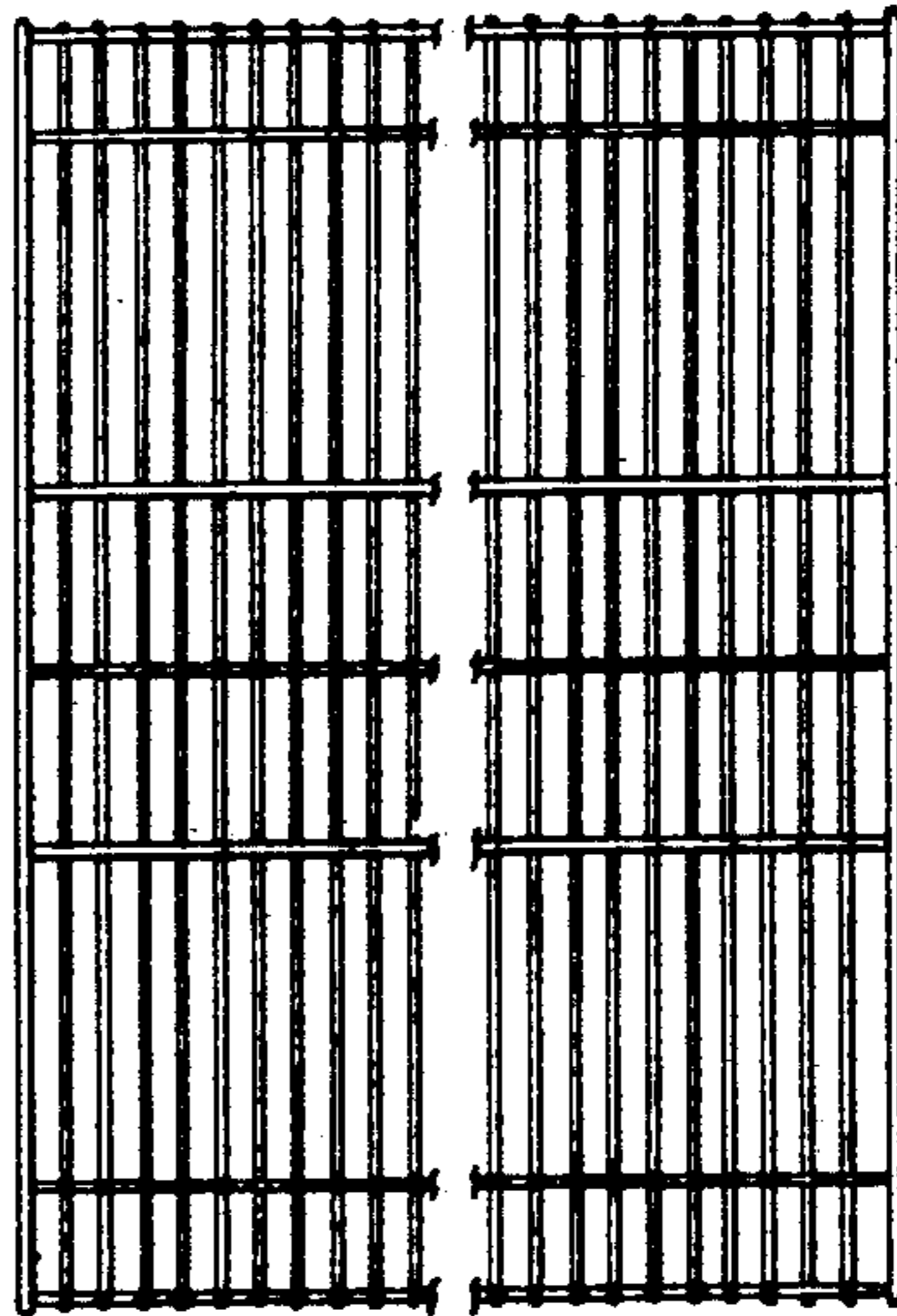


Fig. 8

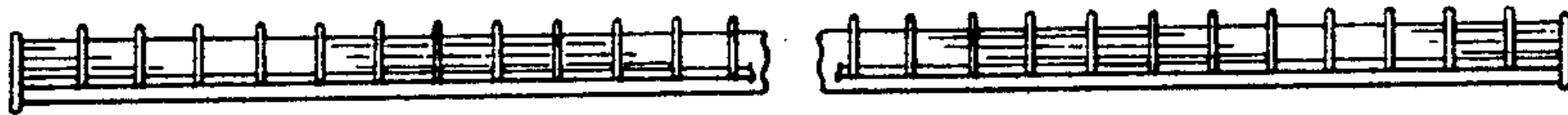


Fig. 9



Fig. 10