

[54] BAR STOOL

[75] Inventor: Vladimir W. Zakharov, Baldwin Park, Calif.

[73] Assignee: Mikhail Darafeev, Inc., Baldwin Park, Calif.

[*] Notice: The portion of the term of this patent subsequent to Nov. 4, 2000 has been disclaimed.

[**] Term: 14 Years

[21] Appl. No.: 704,259

[22] Filed: Feb. 22, 1985

[52] U.S. Cl. D6/360; D6/379

[58] Field of Search D6/334, 339, 350, 352, D6/353, 370, 374, 375, 379, 380

[56] References Cited

U.S. PATENT DOCUMENTS

D. 126,270	4/1941	Panzer	D6/352
D. 132,105	4/1942	Peterson	D6/352
D. 141,379	5/1945	Panzer	D6/352
D. 149,637	5/1948	Hayes et al.	D6/339
D. 173,651	12/1954	Gelman	D6/339 X

D. 269,056 5/1983 Claman D6/369

Primary Examiner—Bruce W. Dunkins
Attorney, Agent, or Firm—Boniard I. Brown

[57] CLAIM

The ornamental design for a bar stool, as shown and described.

DESCRIPTION

FIG. 1 is a perspective view of a bar stool, showing my new design;
 FIG. 2 is a front view thereof;
 FIG. 3 is a side elevational view, the opposite side being a mirror image thereof;
 FIG. 4 is a rear view thereof;
 FIG. 5 is a top view thereof;
 FIG. 6 is a bottom view thereof;
 FIG. 7 is a perspective view of a modified form of the design shown in FIGS. 1 through 6;
 FIG. 8 is a front view thereof;
 FIG. 9 is a side elevational view, the opposite side being a mirror image thereof;
 FIG. 10 is a rear view thereof;
 FIG. 11 is a bottom view thereof; and
 FIG. 12 is a top view thereof.

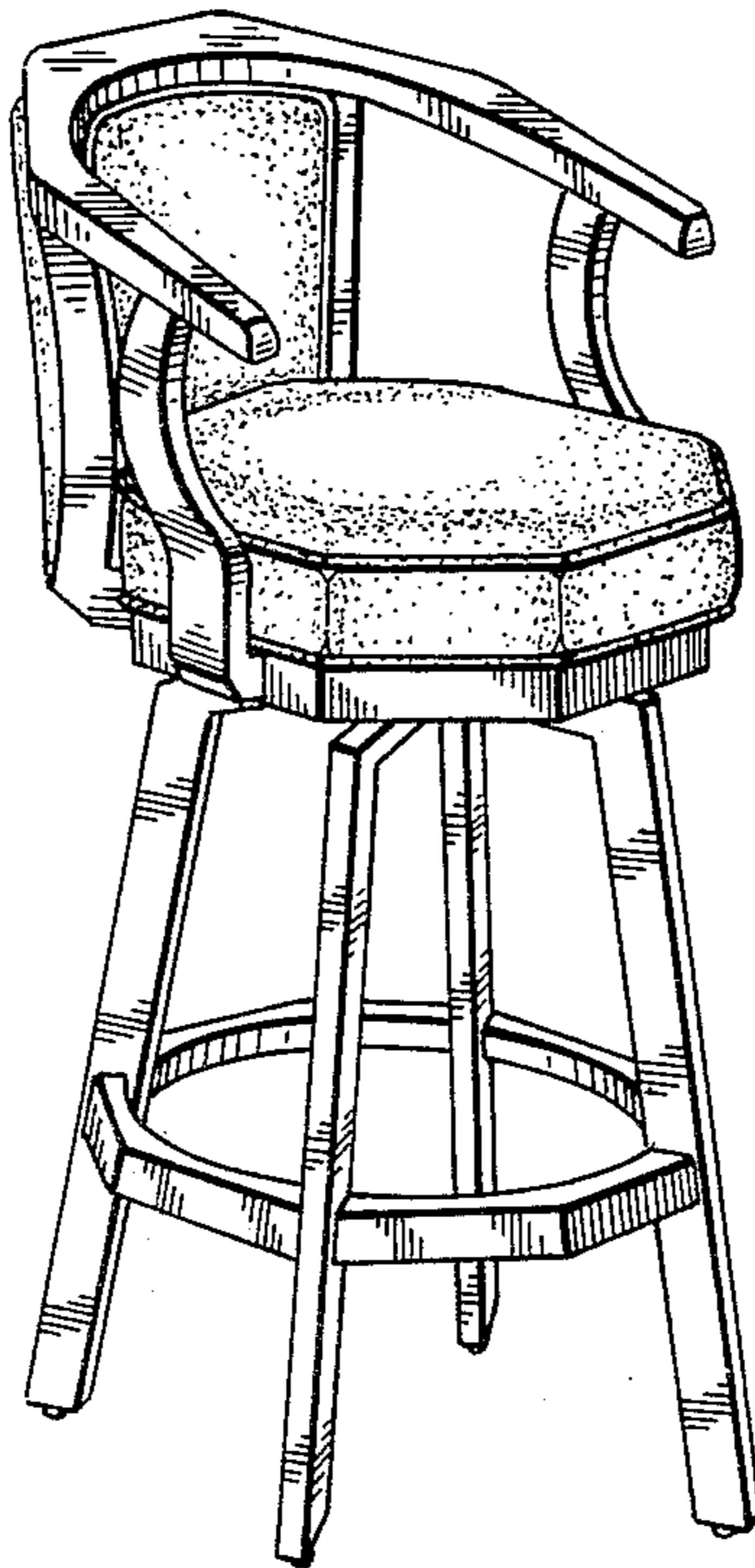


FIG-1

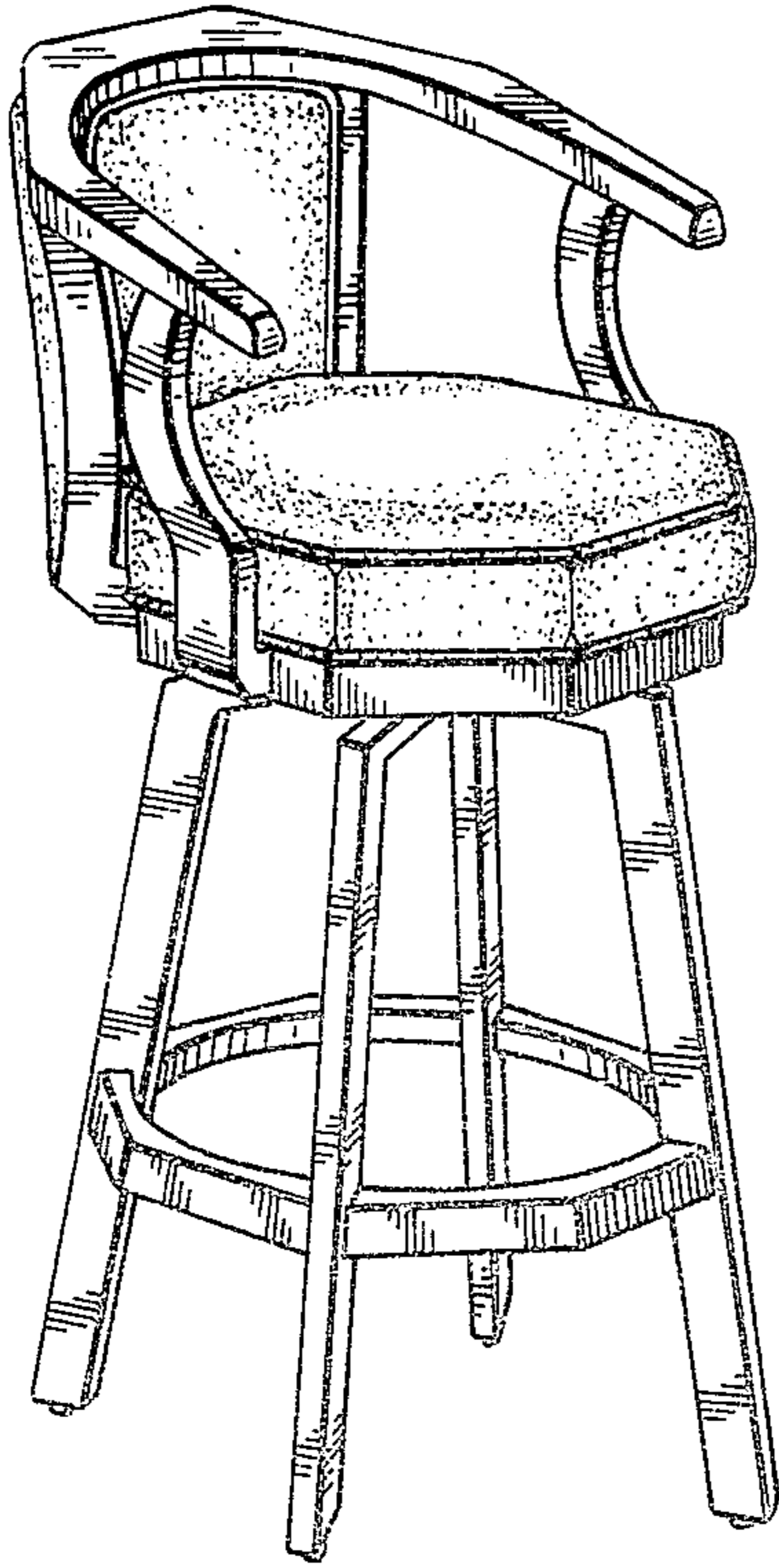


FIG-4

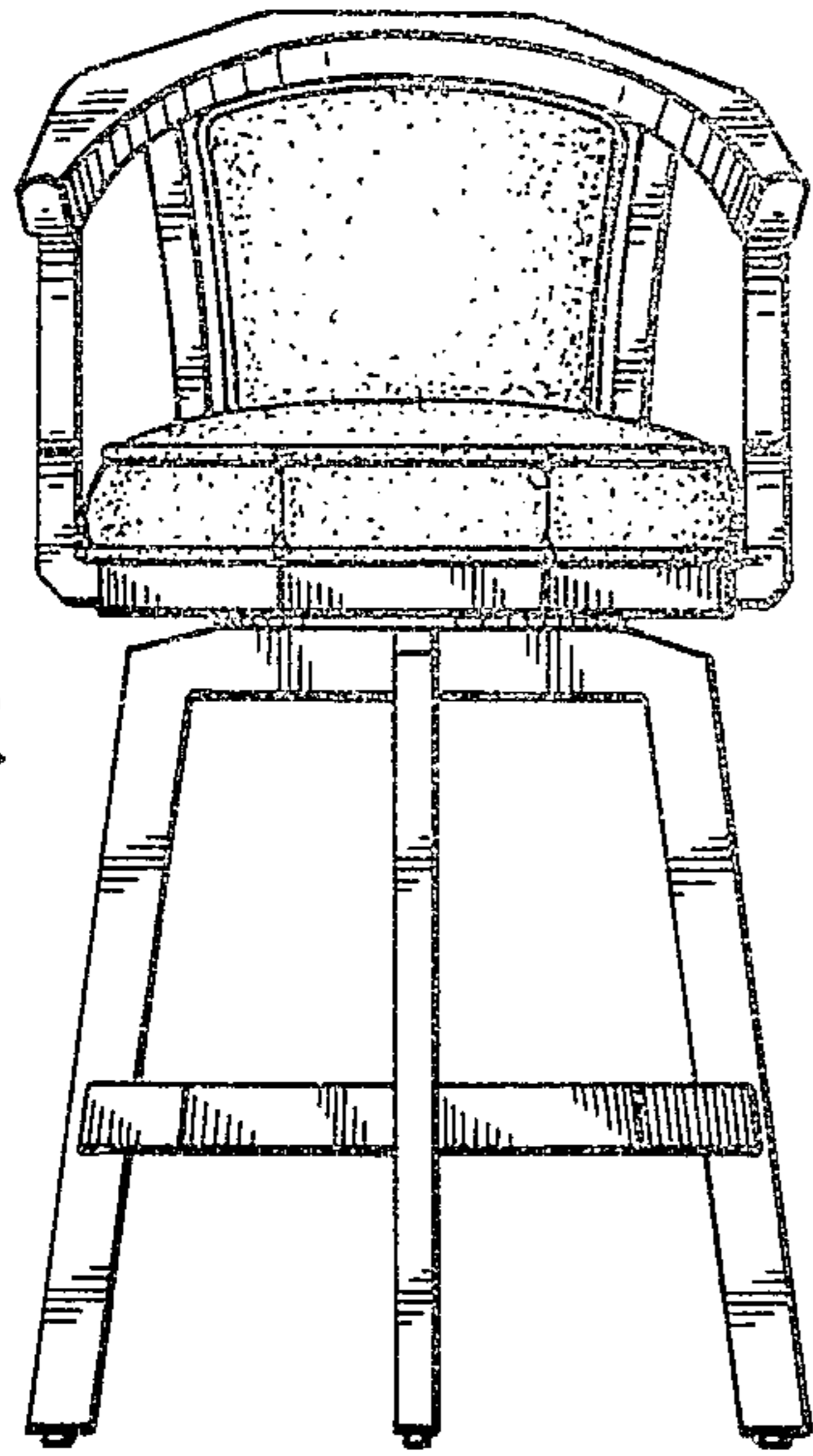
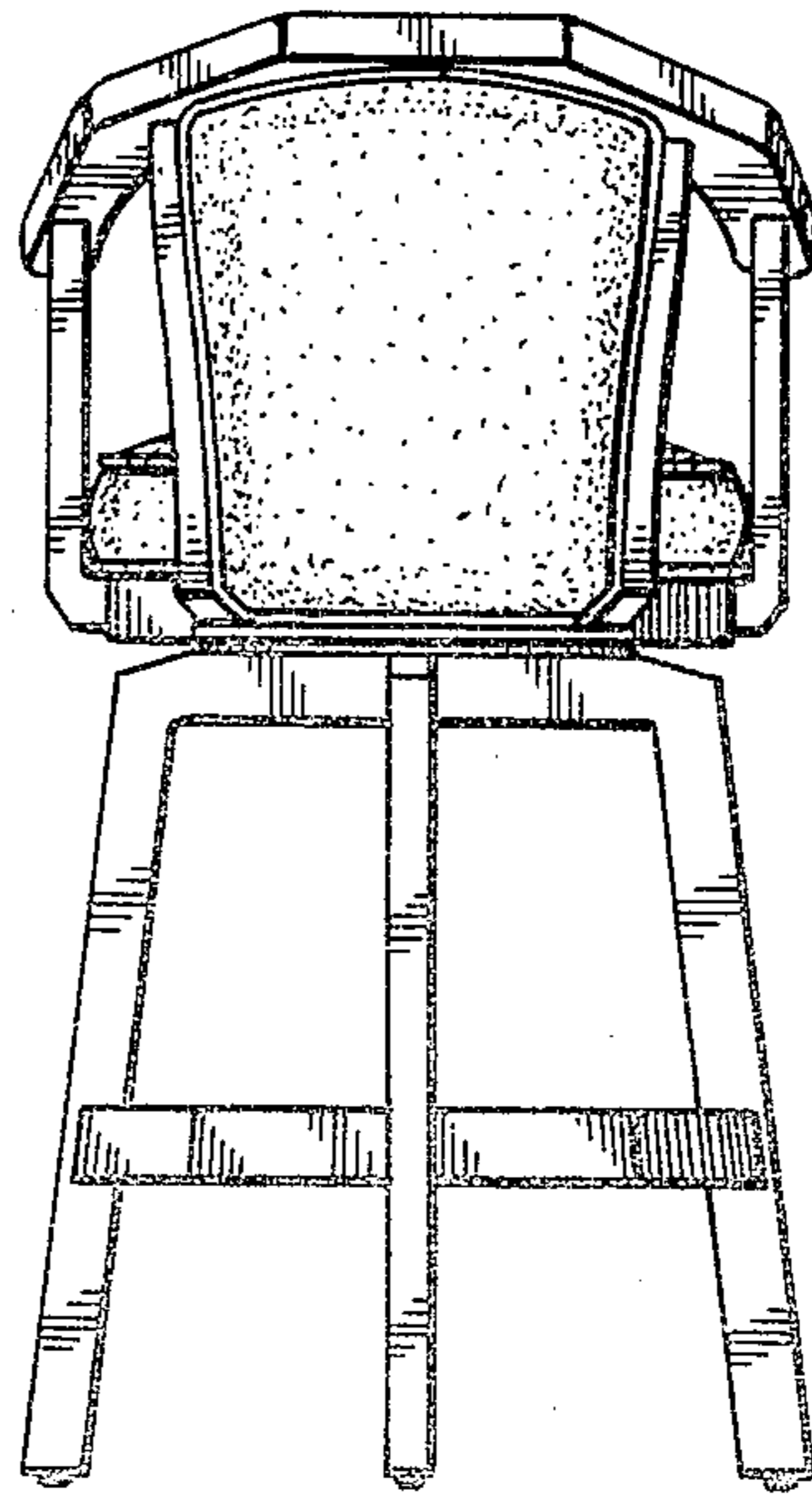


FIG-2

FIG-3

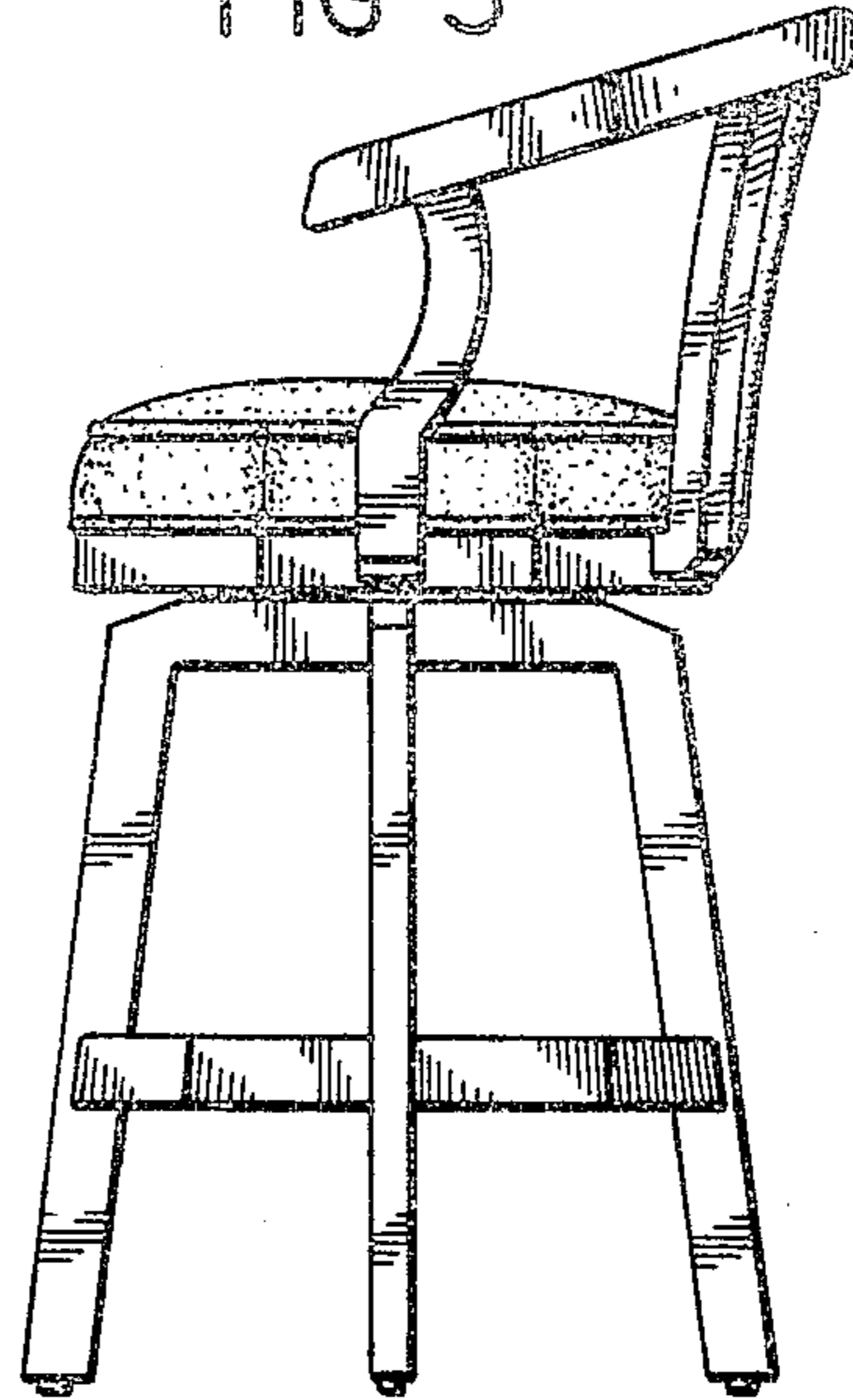


FIG-6

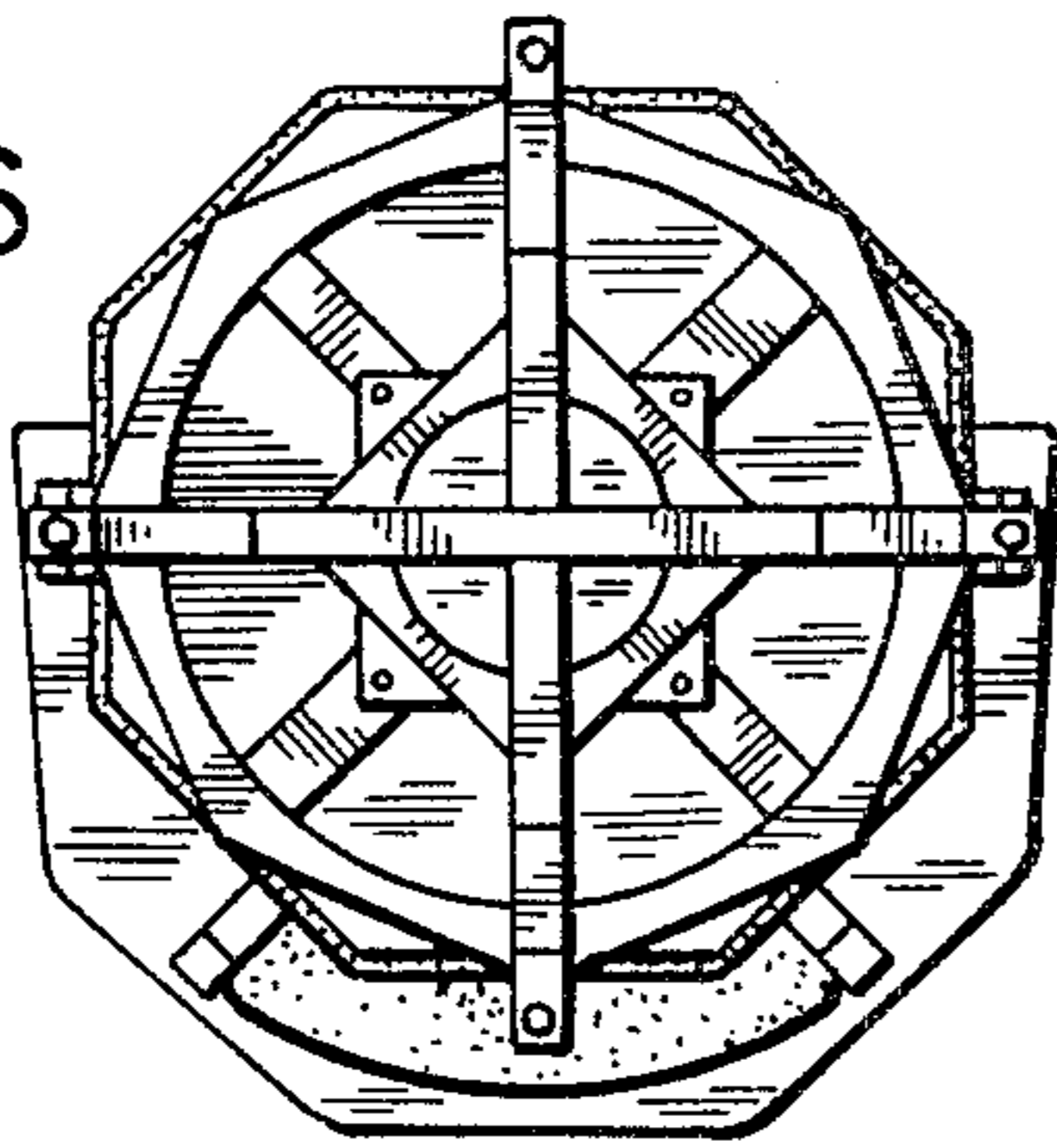


FIG-5

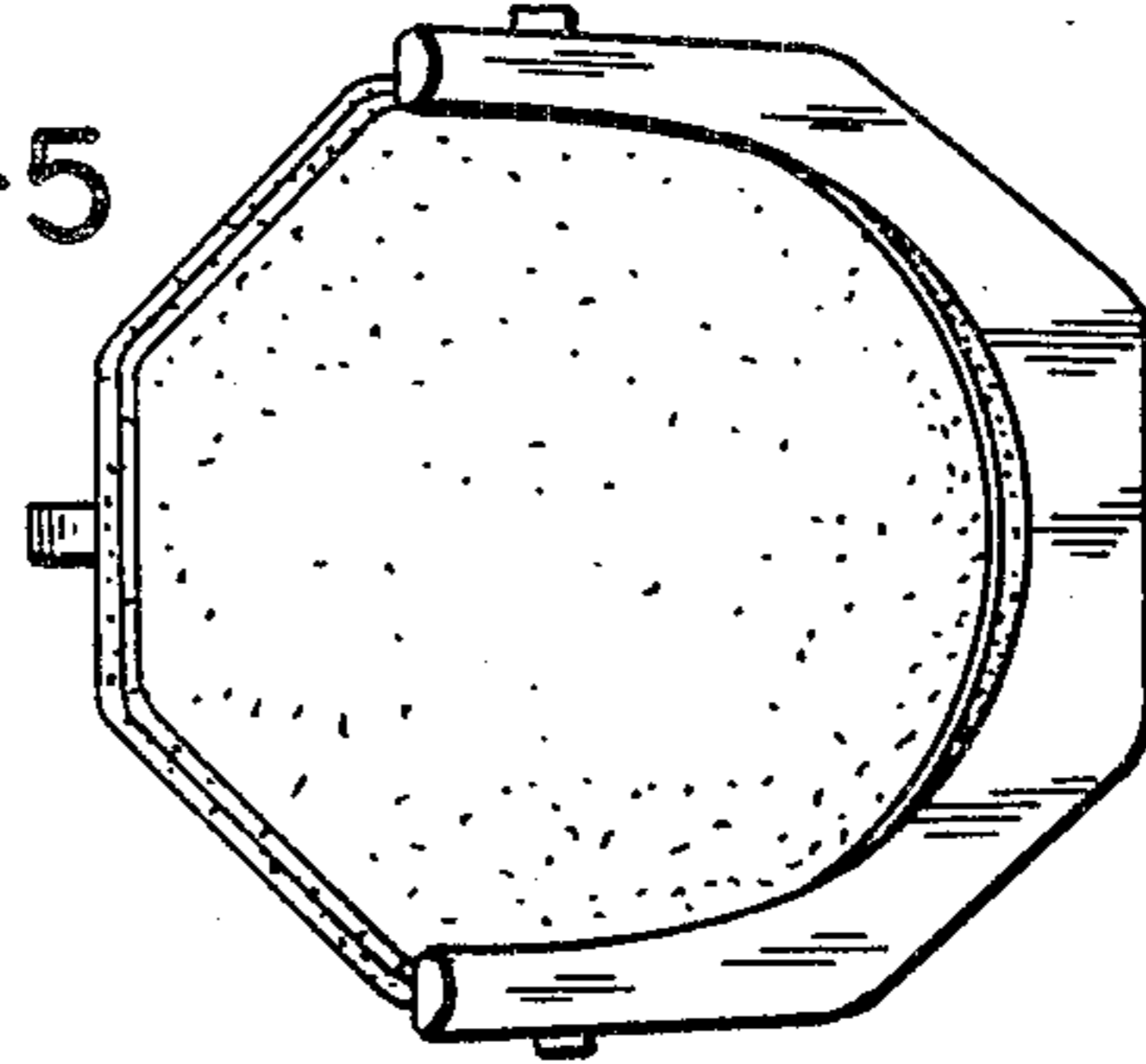


FIG-7

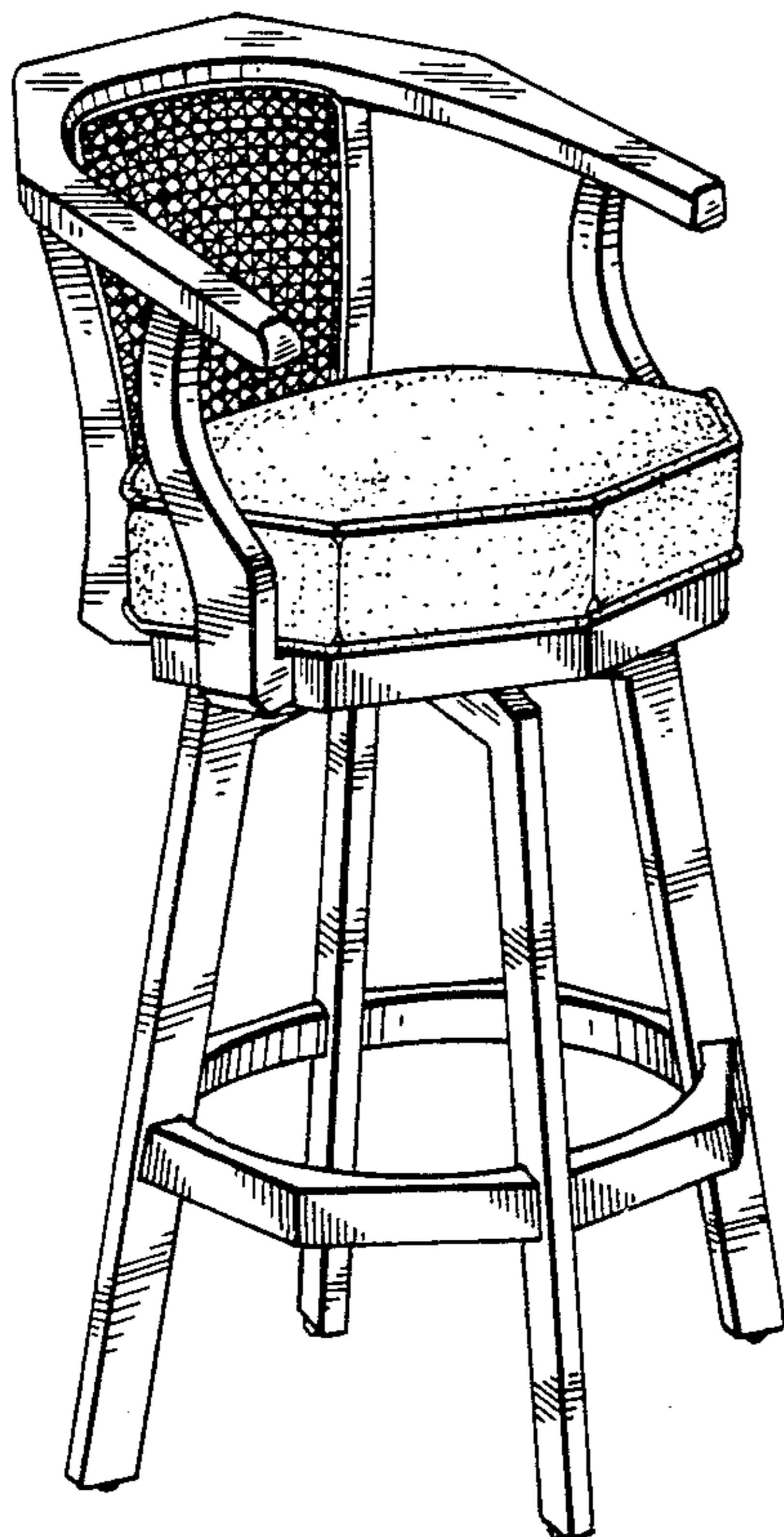


FIG-10

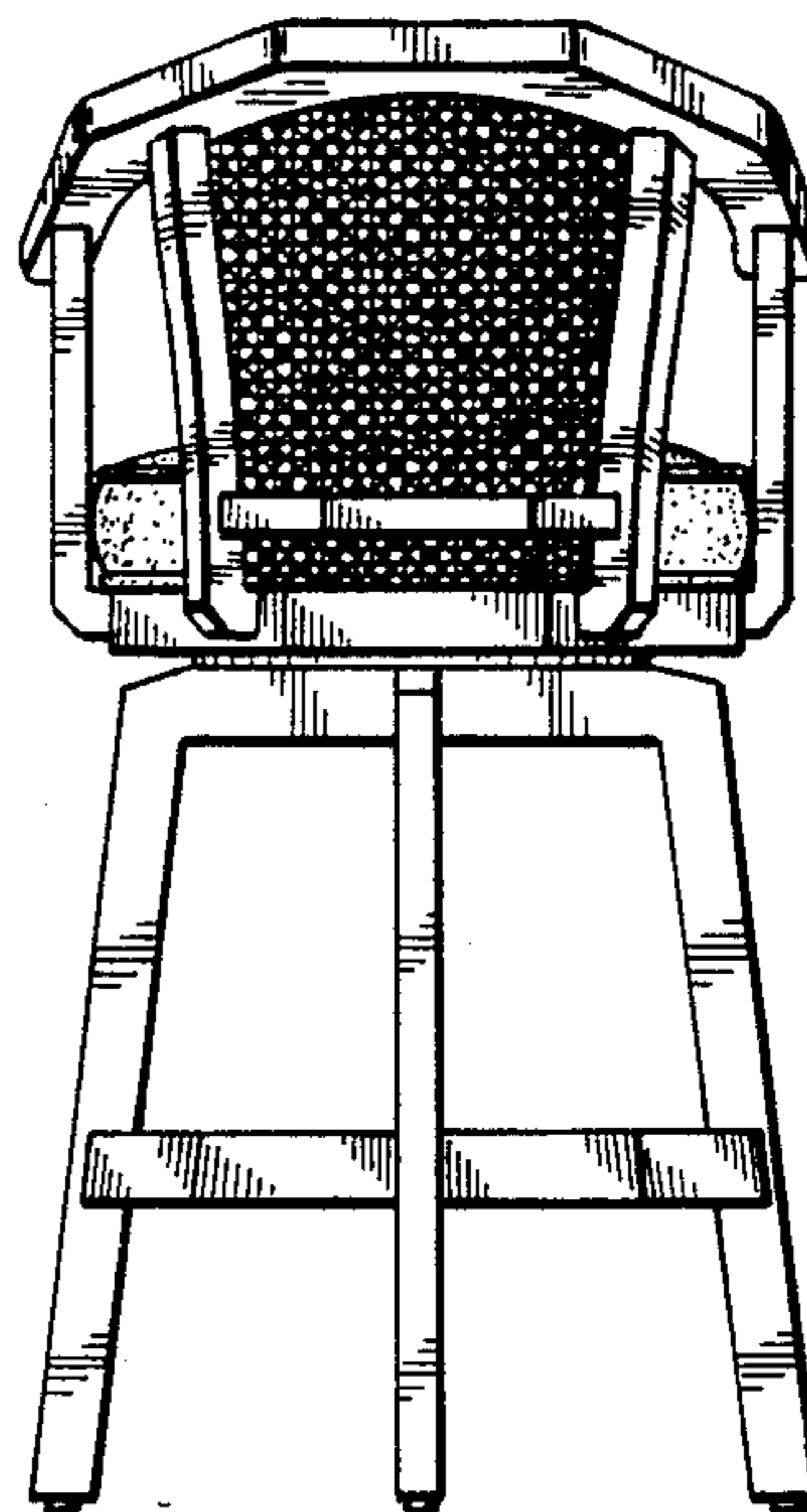


FIG-8

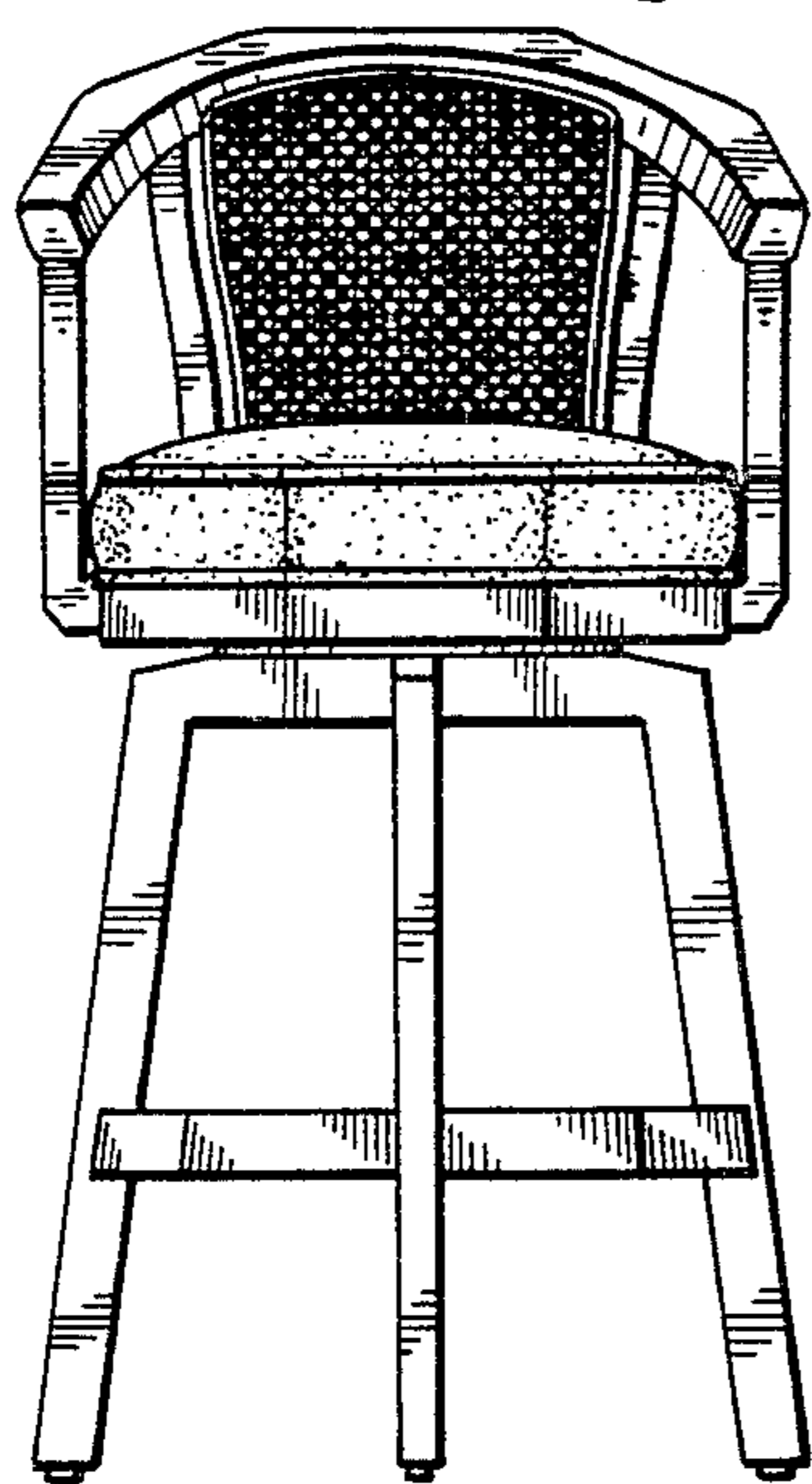


FIG-9

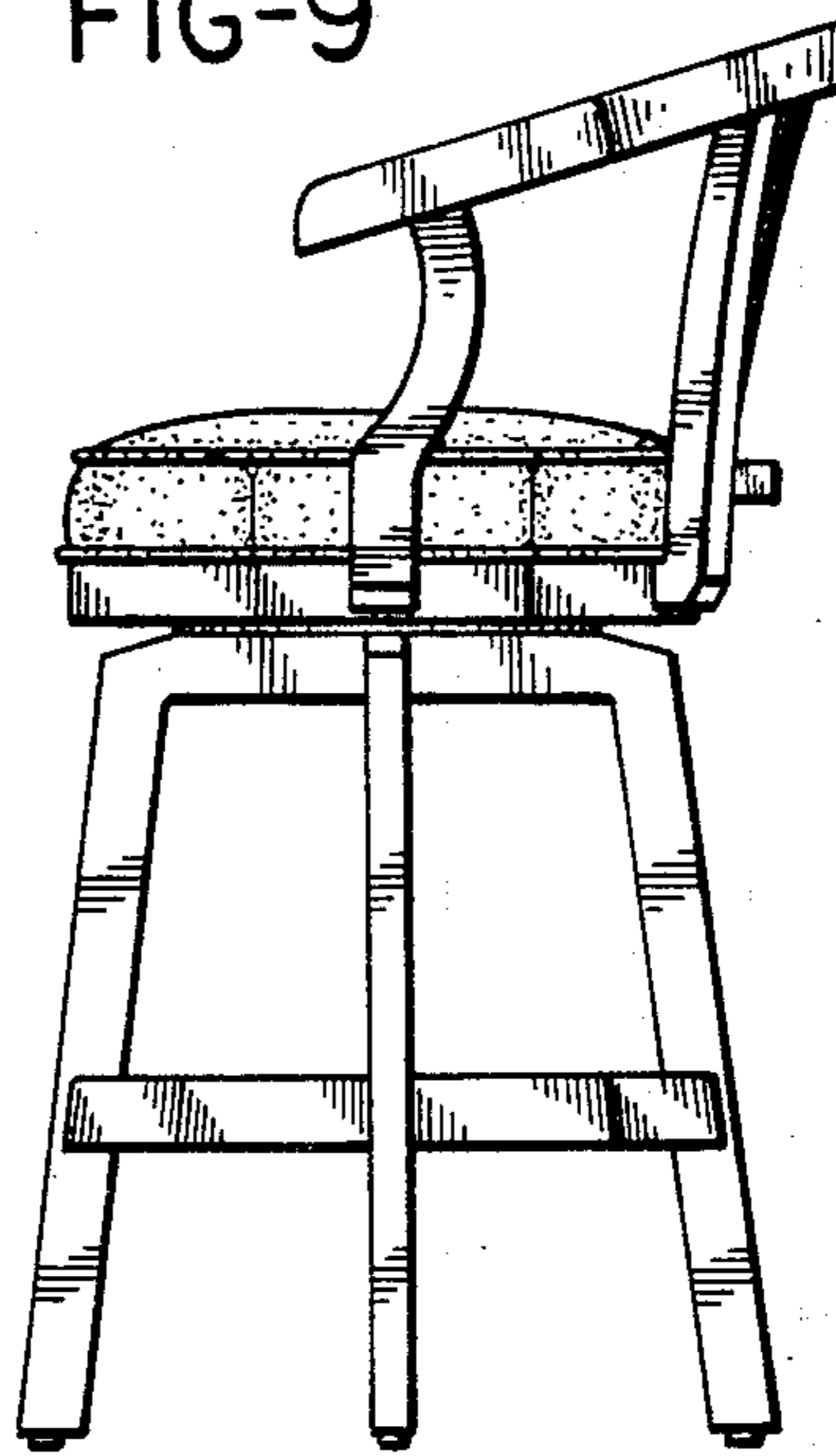


FIG-11

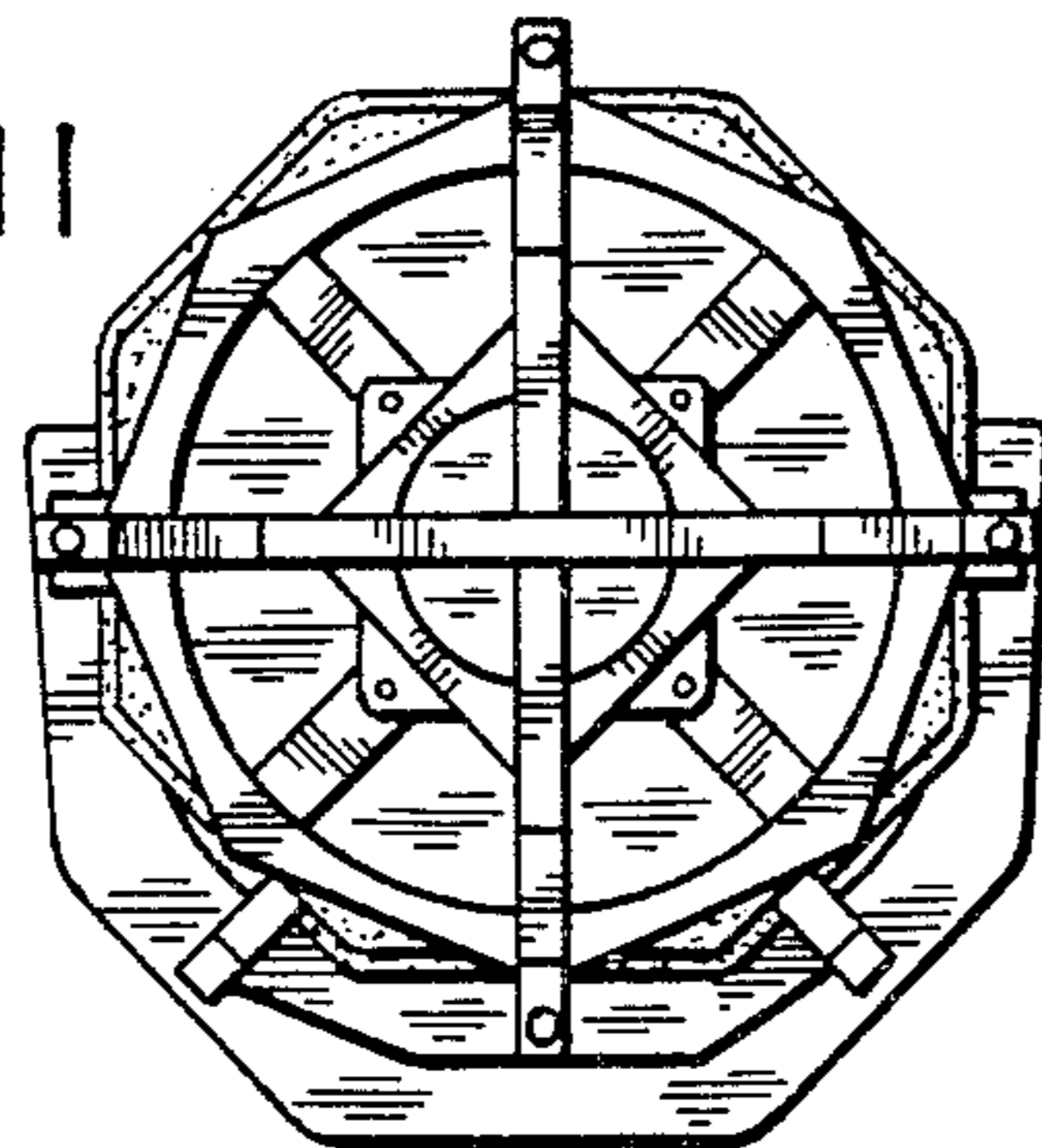


FIG-12

