

[54] **THREADING DEVICE**

2,757,837 8/1956 Dritz 223/99

[75] Inventor: Alan W. Tupper, Castle Combe, England

[73] Assignee: Latchways Limited, London, England

[**] Term: 14 Years

[21] Appl. No.: 568,065

[22] Filed: Jan. 4, 1984

[30] **Foreign Application Priority Data**

Jul. 13, 1983 [GB] United Kingdom 1014072
[52] U.S. Cl. **D3/18**
[58] Field of Search D3/18; 223/99

[56] **References Cited**

U.S. PATENT DOCUMENTS

D. 161,280 12/1950 Pinkham et al. D3/18
D. 163,048 4/1951 Kahn D3/18
2,411,686 11/1946 Ingwer et al. 223/99

OTHER PUBLICATIONS

The Gift and Art Buyer, 3/50, p. 30, Thread-a-Matic Model #98.

Primary Examiner—Bernard Ansher
Assistant Examiner—Terry Pfeffer
Attorney, Agent, or Firm—Scully, Scott, Murphy & Presser

[57] **CLAIM**

The ornamental design for a threading device, as shown.

DESCRIPTION

FIG. 1 is a top, front, left side perspective view of a threading device showing my new design; FIG. 2 is a top, rear, right side perspective view thereof; FIG. 3 is a front elevation thereof; FIG. 4 is a right side elevation thereof; FIG. 5 is a left side elevation thereof; FIG. 6 is a bottom plan view thereof; and FIG. 7 is a top plan view thereof.

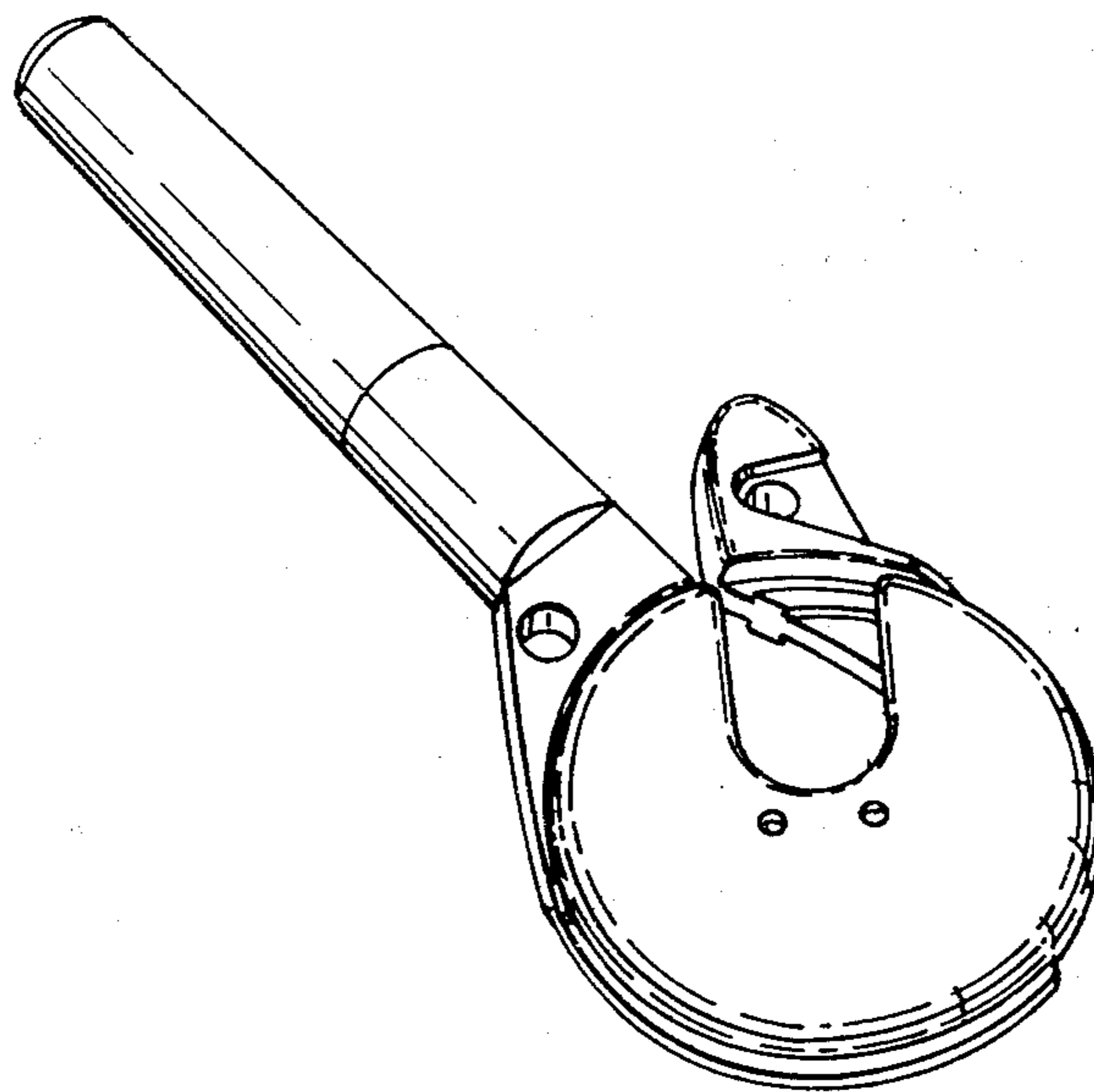


FIG. 1

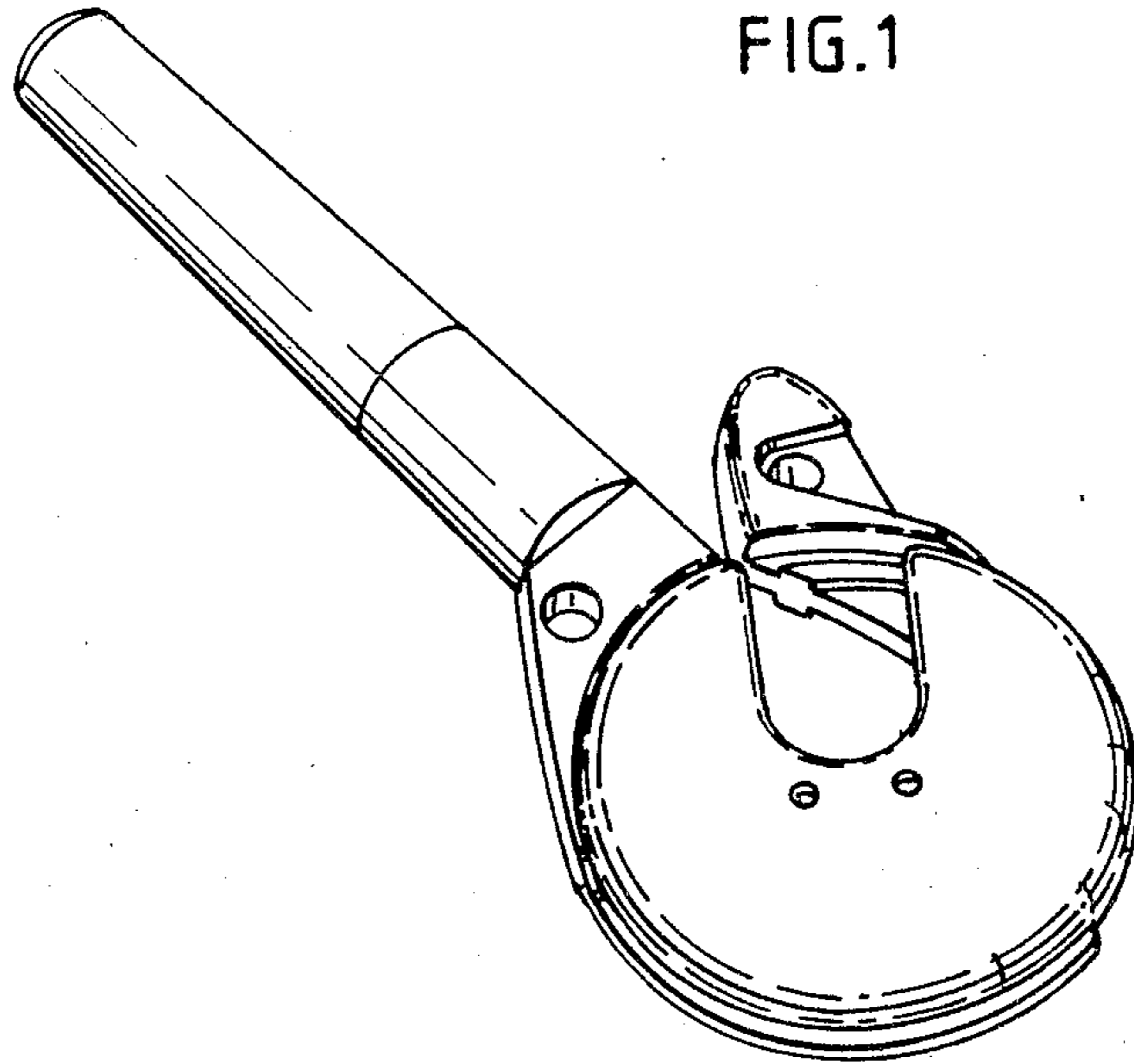


FIG. 2

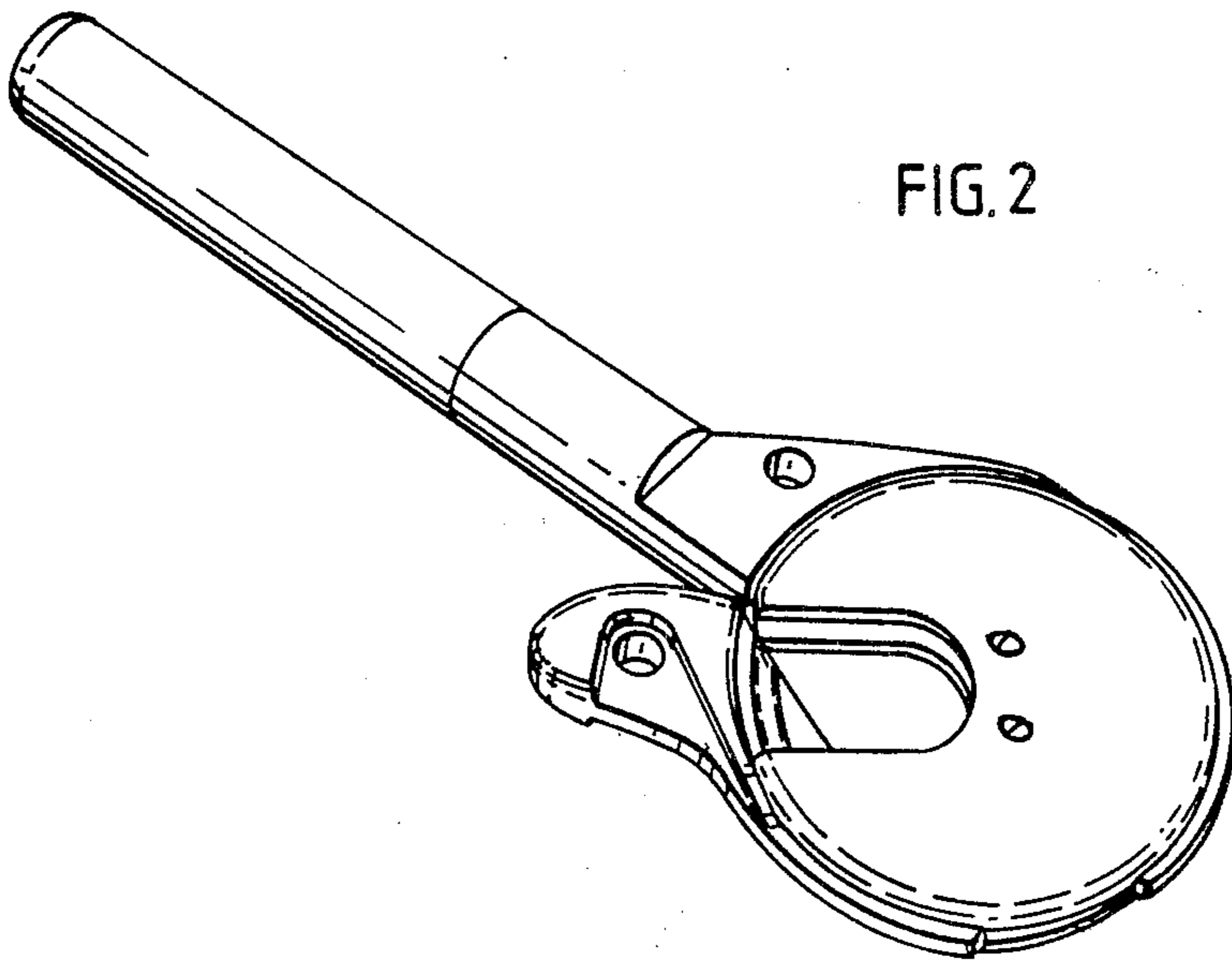


FIG. 3

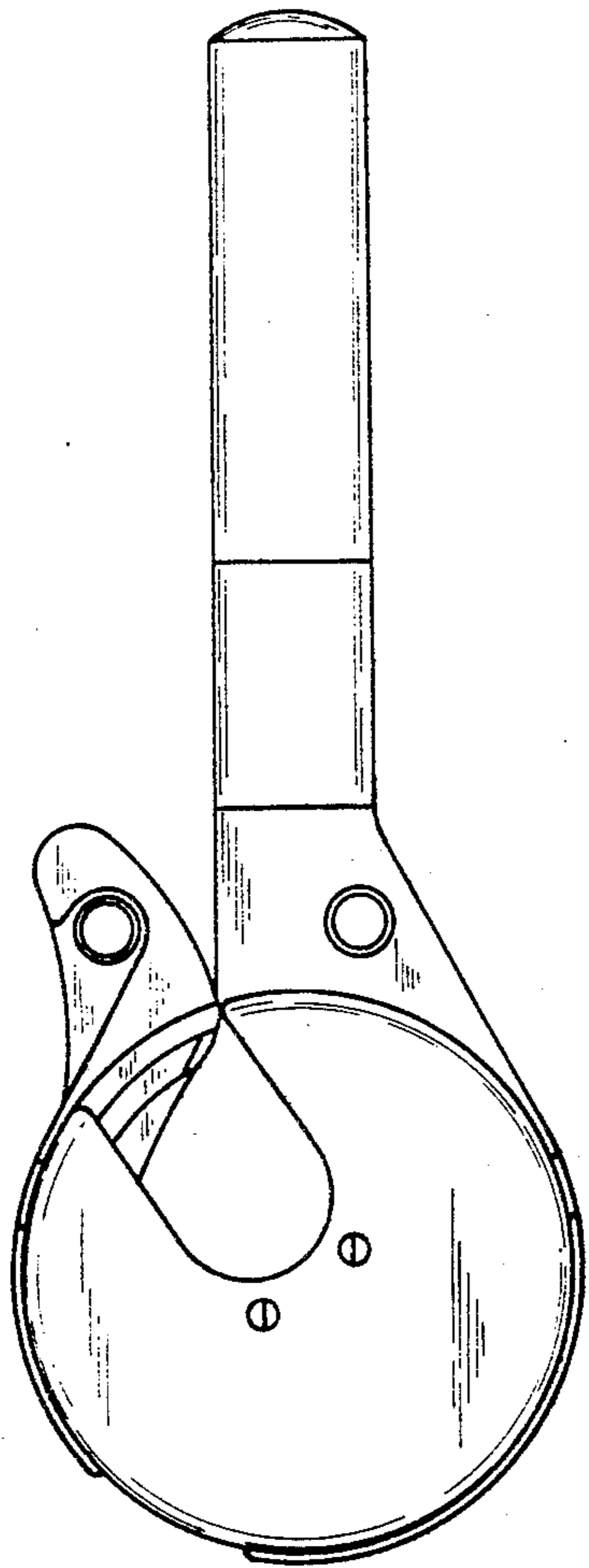


FIG. 4

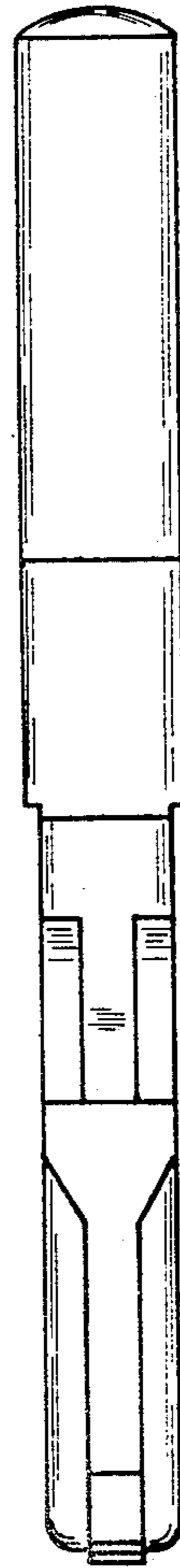


FIG. 5



FIG. 6

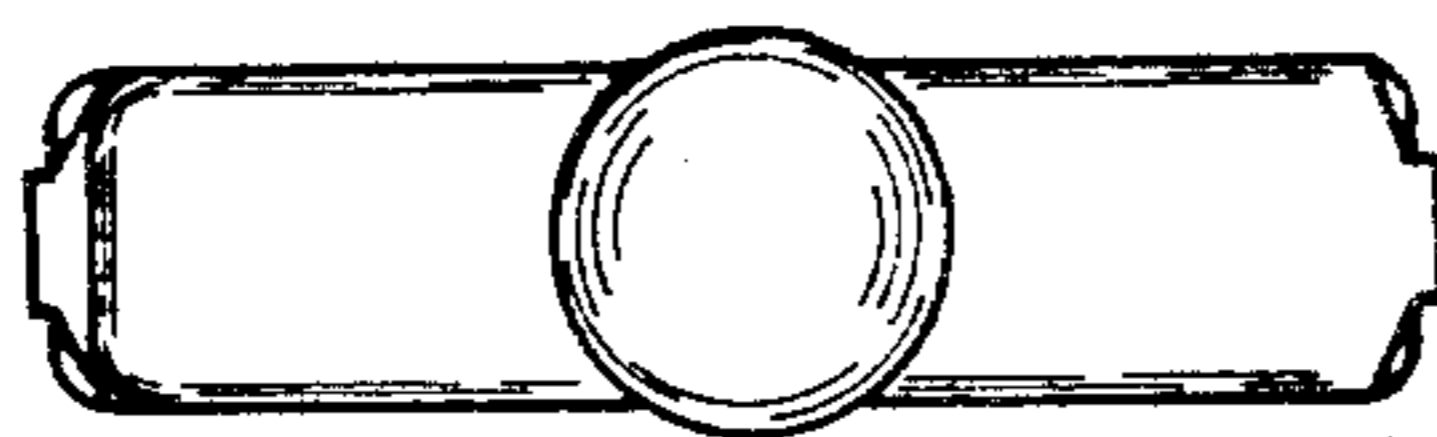


FIG. 7

