

[54] CART FOR A DRAIN CLEANING MACHINE

[75] Inventors: Larry F. Babb, LaGrange; Charles A. Boise, Wellington, both of Ohio

[73] Assignee: Emerson Electric Co., St. Louis, Mo.

[**] Term: 14 Years

[21] Appl. No.: 592,514

[22] Filed: Mar. 23, 1984

[52] U.S. Cl. D34/24; D32/14

[58] Field of Search D34/12, 24, 26; D32/14; 15/104.3 R, 104.3 SN; 280/47.16, 47.17, 47.19, 47.2, 47.27, 654, 652, 47.24, 47.28

[56] References Cited

U.S. PATENT DOCUMENTS

D. 118,740	1/1940	Kollsmann	D32/14
D. 157,589	3/1950	Hartenbach	D14/3
D. 165,191	11/1951	Reece	D34/24
D. 180,868	8/1957	Diehl	D34/24
D. 181,537	11/1957	Kollsmann	D9/2
D. 186,581	11/1959	Kollsmann	D9/2
D. 187,366	3/1960	Kollsmann	D9/2
D. 187,687	4/1960	Kollsmann	D9/2
D. 189,840	3/1961	Hunt	D9/2

D. 191,978	12/1961	Kollsmann	D9/2
D. 197,767	3/1964	Land	D14/3
2,600,577	6/1952	Roe	280/47.24
2,835,503	5/1958	Humphries et al.	D34/24
2,955,307	10/1960	Hunt	15/104.3
2,983,520	5/1961	Klages	280/47.19
3,116,936	1/1964	Magarian	280/47.24
3,168,329	2/1965	Goldschmidt	280/36
3,804,432	4/1974	Lehrman	280/654
4,364,139	12/1982	Babb et al.	15/104.3 SN

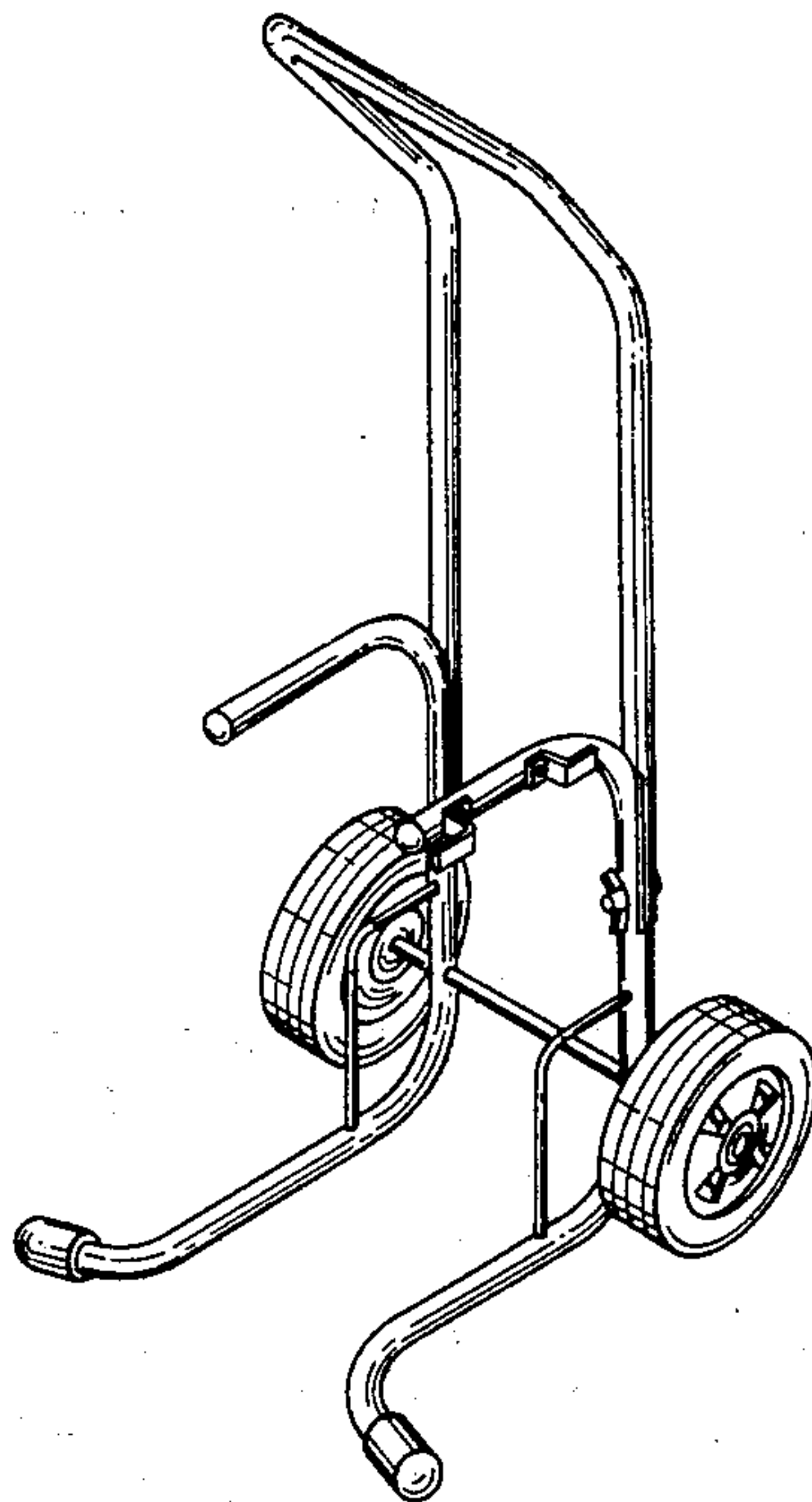
Primary Examiner—Wallace R. Burke
Assistant Examiner—Ruth E. Takemoto
Attorney, Agent, or Firm—Body, Vickers & Daniels

[57] CLAIM

The ornamental design for a cart for a drain cleaning machine, as shown.

DESCRIPTION

FIG. 1 is a perspective view of a cart for drain cleaning machine showing my new design;
FIG. 2 is a side elevational view thereof;
FIG. 3 is a side elevational view of the opposite side of FIG. 2;
FIG. 4 is a front elevational view thereof; and
FIG. 5 is a rear elevational view thereof.



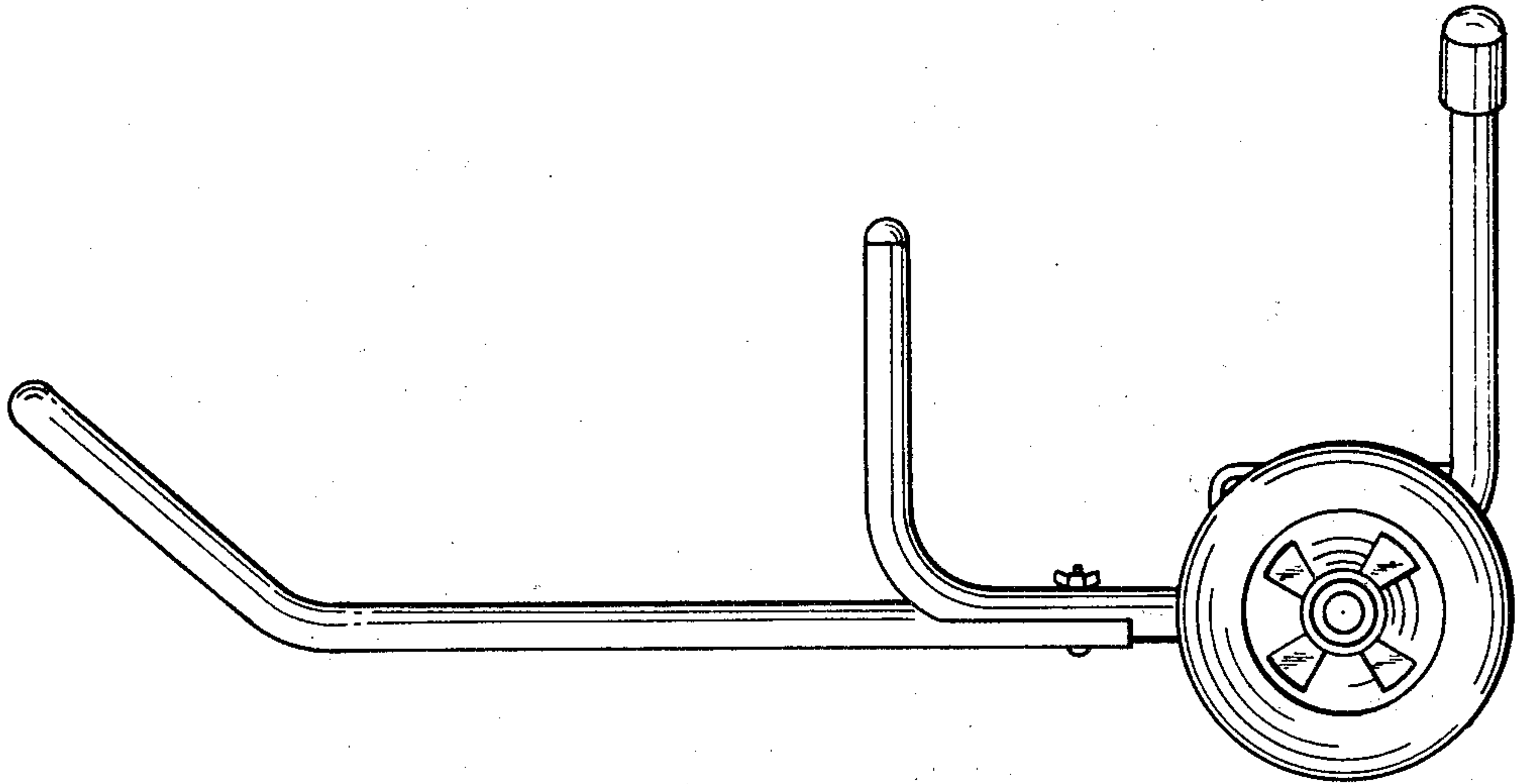


FIG. 3

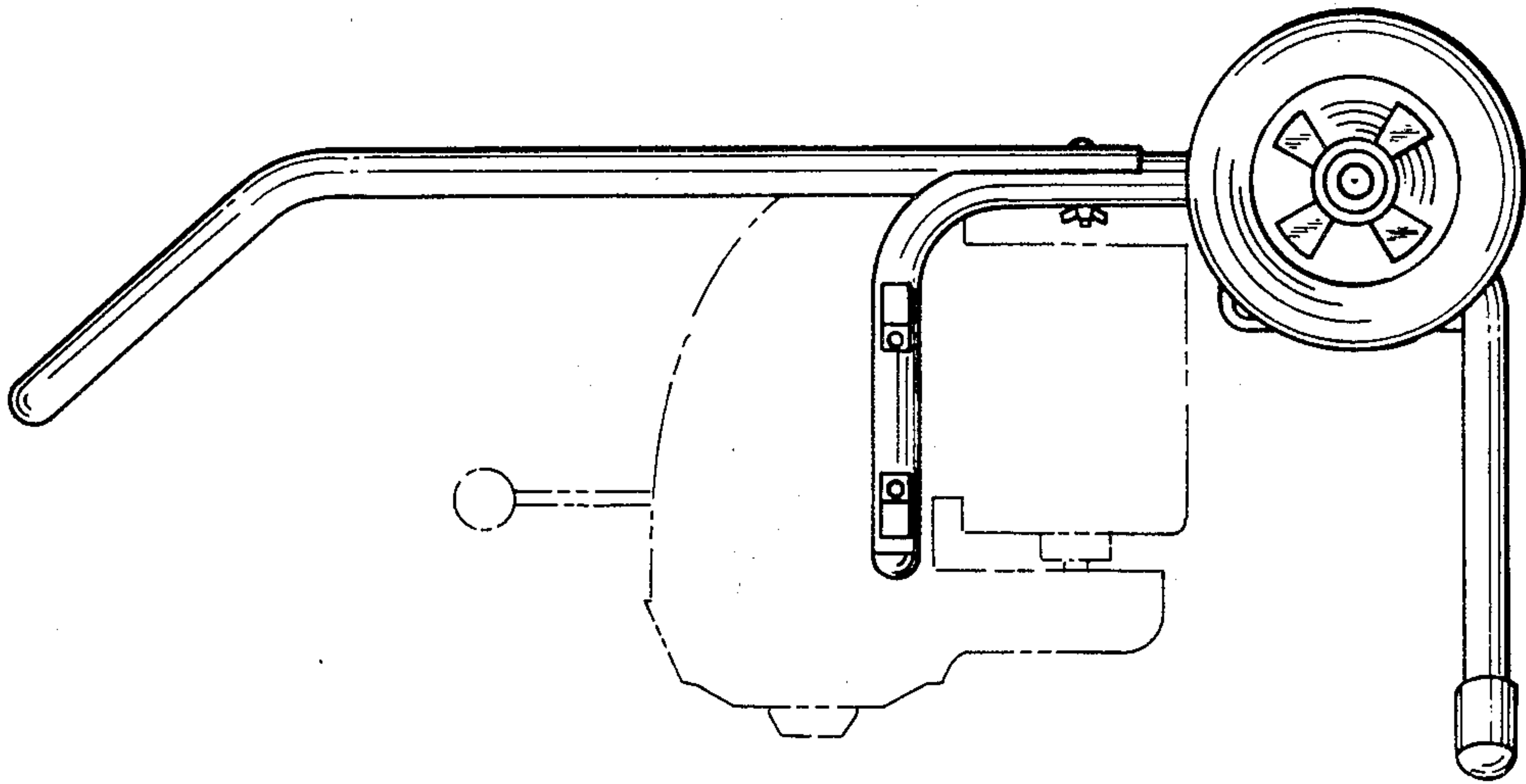


FIG. 2

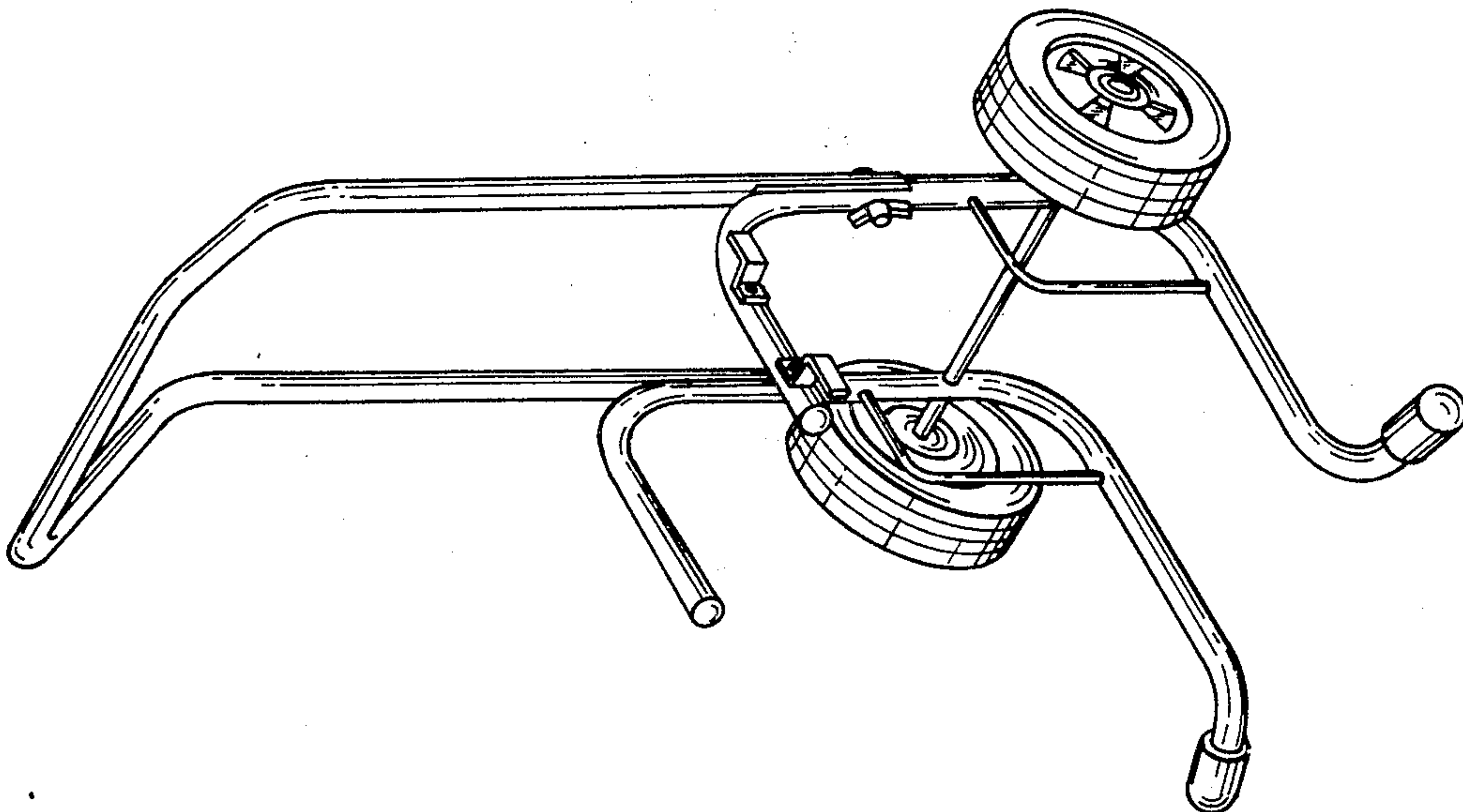


FIG. 1

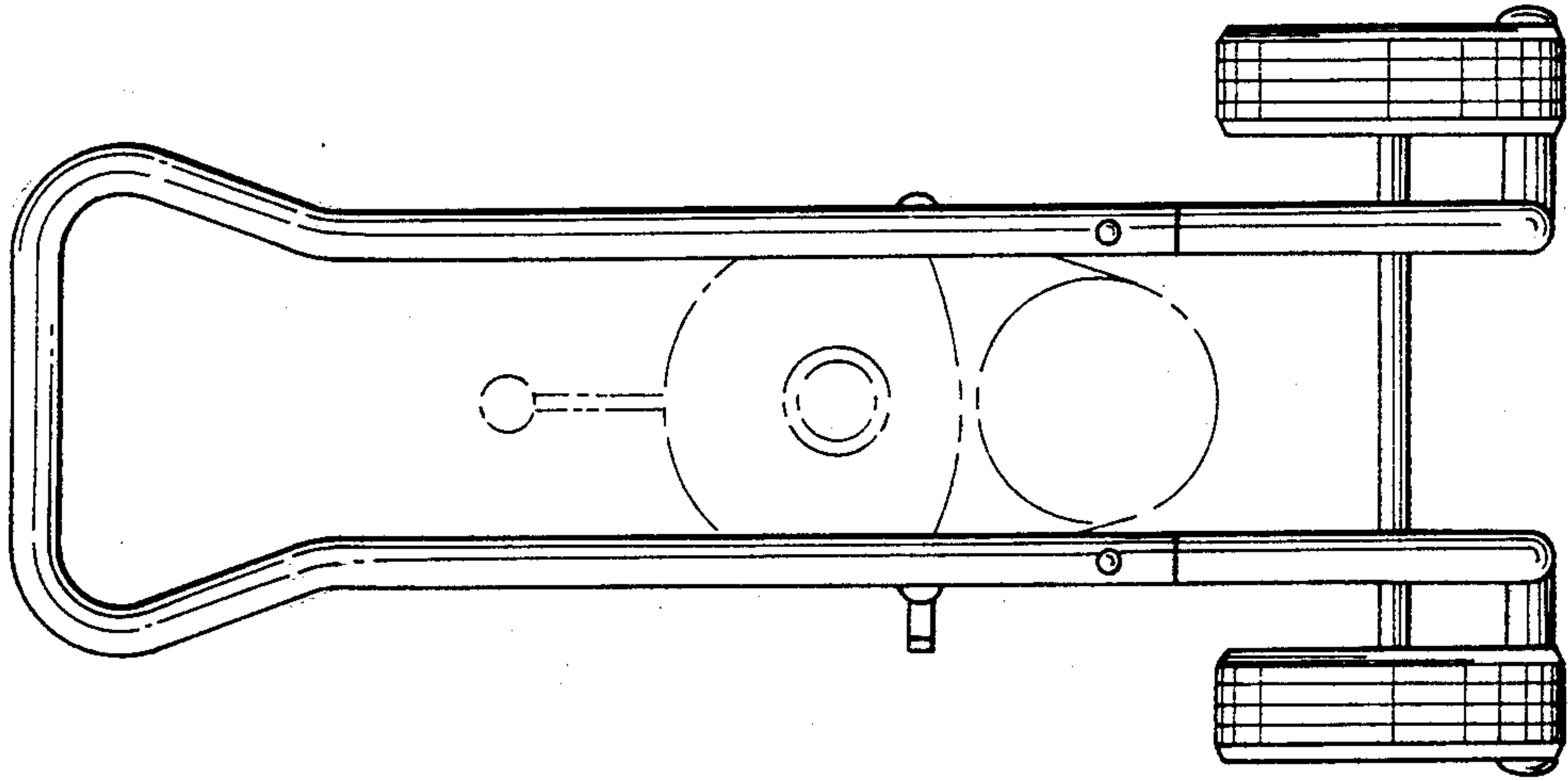


FIG. 5

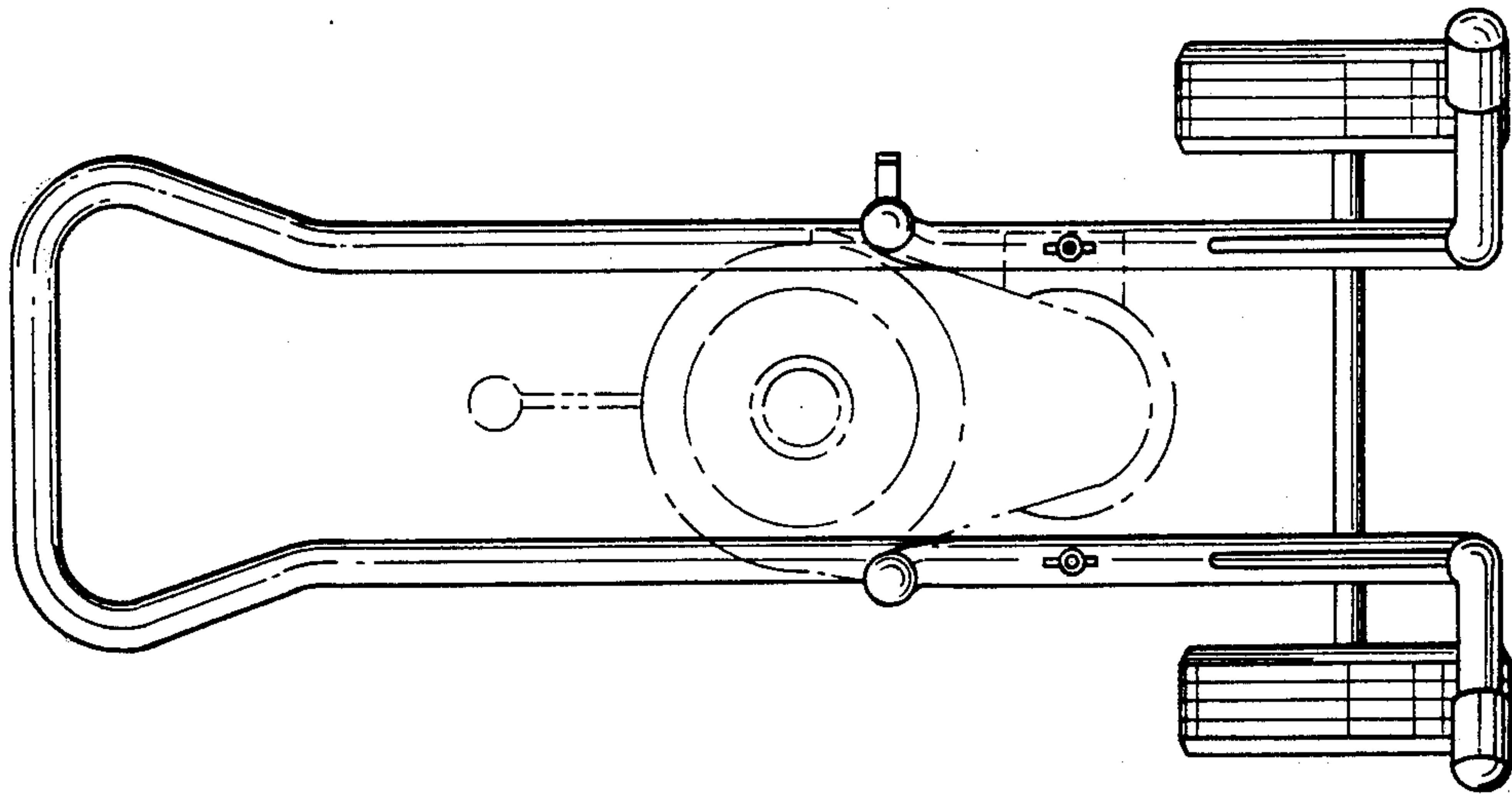


FIG. 4