

[54] COLLECTING CONTAINER FOR WASTE MATERIALS

[76] Inventor: **Josephus N. M. Kouwenhoven**,  
Dresdenaan 25, NL-3055 WD  
Rotterdam, Netherlands

[\*\*] Term: 14 Years

[21] Appl. No.: 610,654

[22] Filed: May 16, 1984

[52] U.S. Cl. .... D34/9

[58] Field of Search ..... D34/2, 4, 5, 6, 7, 8,  
D34/9, 10, 40, 41; 248/95, 97, 98, 99; 220/17,  
254; 232/1 R; D9/355, 390, 352, 399, 350

[56] References Cited

FOREIGN PATENT DOCUMENTS

1001306 11/1981 United Kingdom ..... D34/11

OTHER PUBLICATIONS

United Metal Receptacle Corp. cat. (1979), p. 4, Big Boy-Dome Top, No. BBT1529.

*Primary Examiner*—James M. Gandy

*Assistant Examiner*—Kay H. Chin

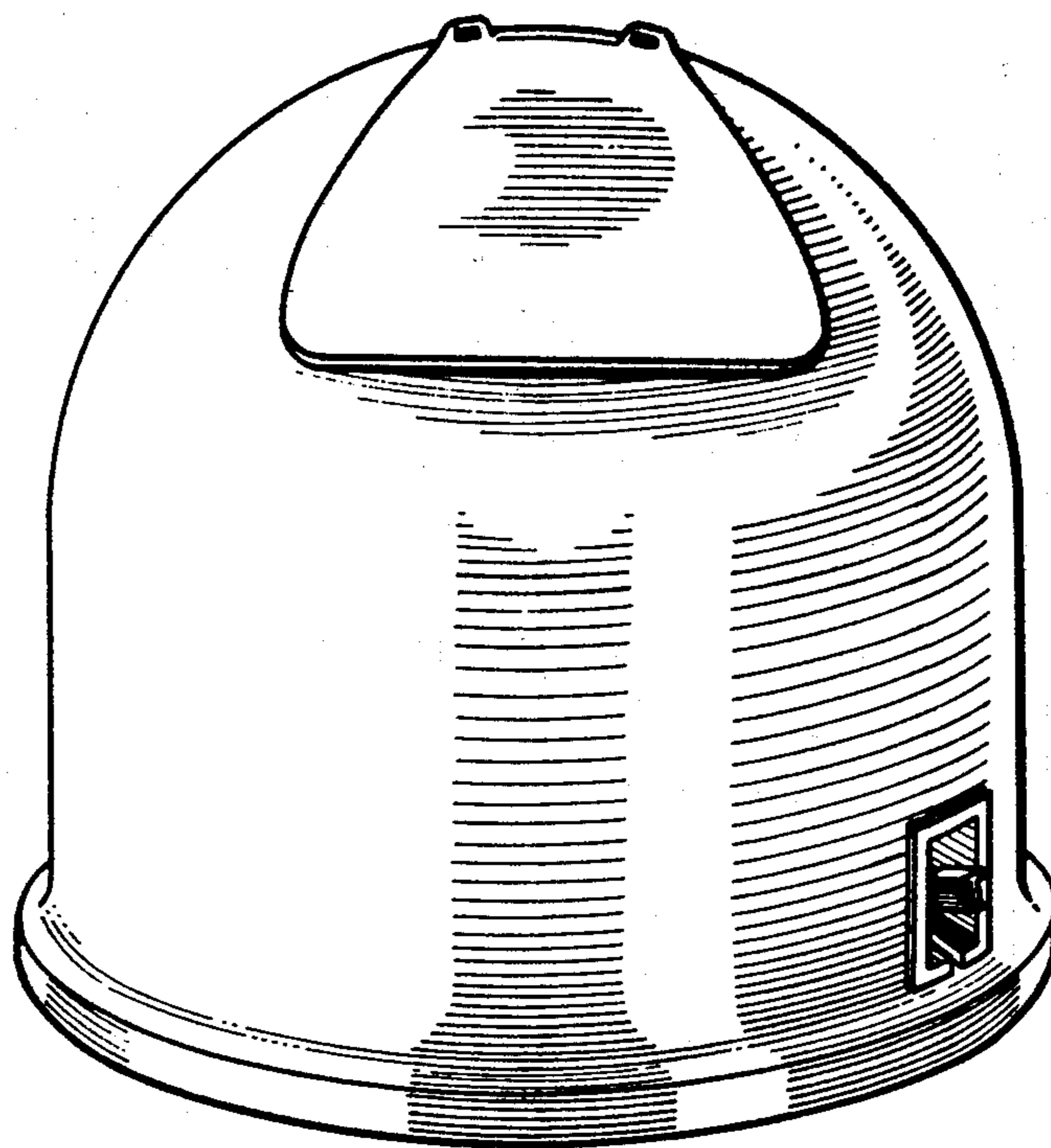
*Attorney, Agent, or Firm*—Edmund M. Jaskiewicz

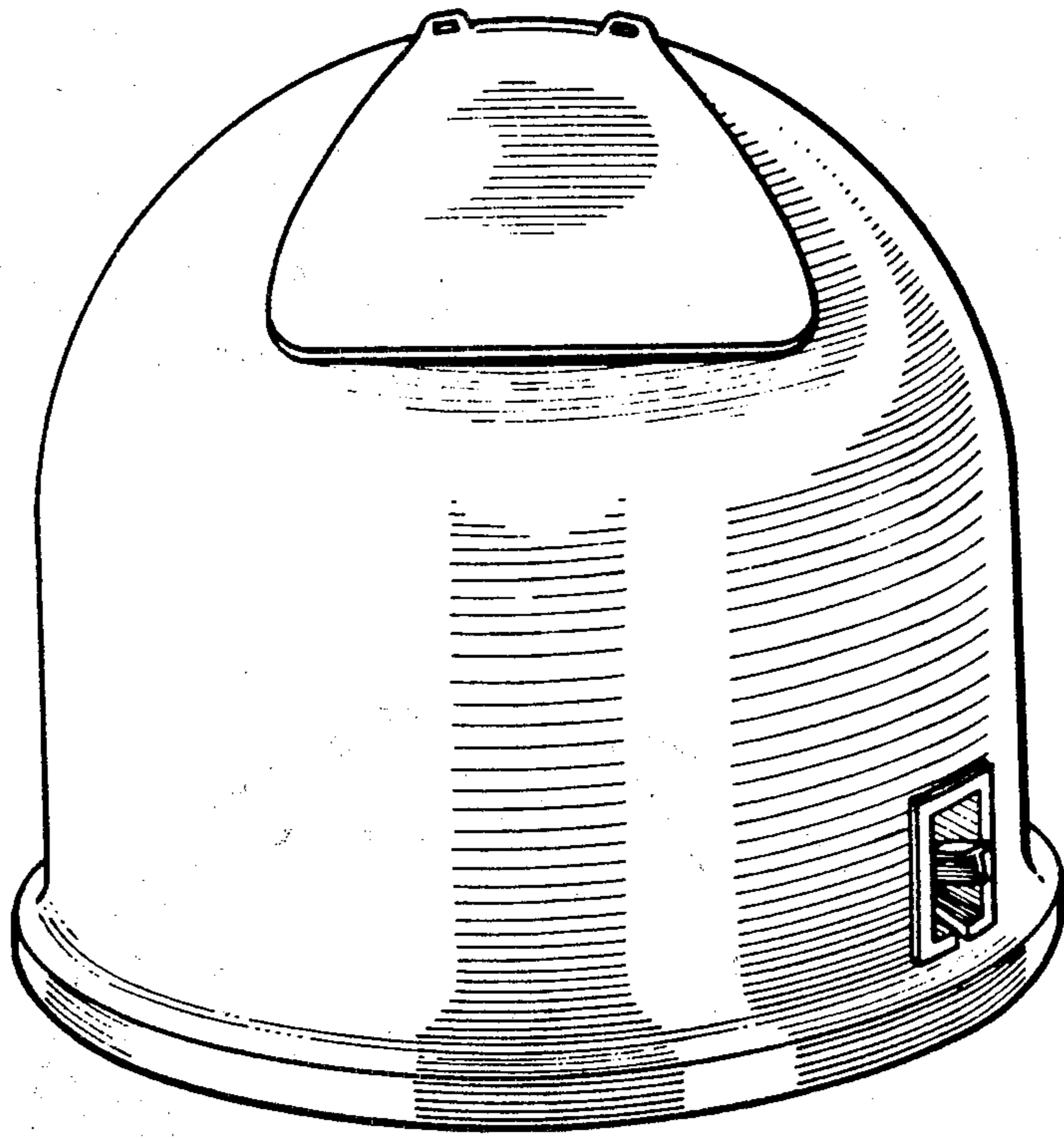
[57] CLAIM

The ornamental design for a collecting container for waste materials, as shown and described.

DESCRIPTION

FIG. 1 is a front perspective view of a collecting container for waste materials showing my new design; FIG. 2 is a rear perspective view thereof, with the hatch removed and shown in exploded condition; FIG. 3 is an enlarged fragmentary front perspective view thereof with the lid in open condition.





**FIG. 1.**

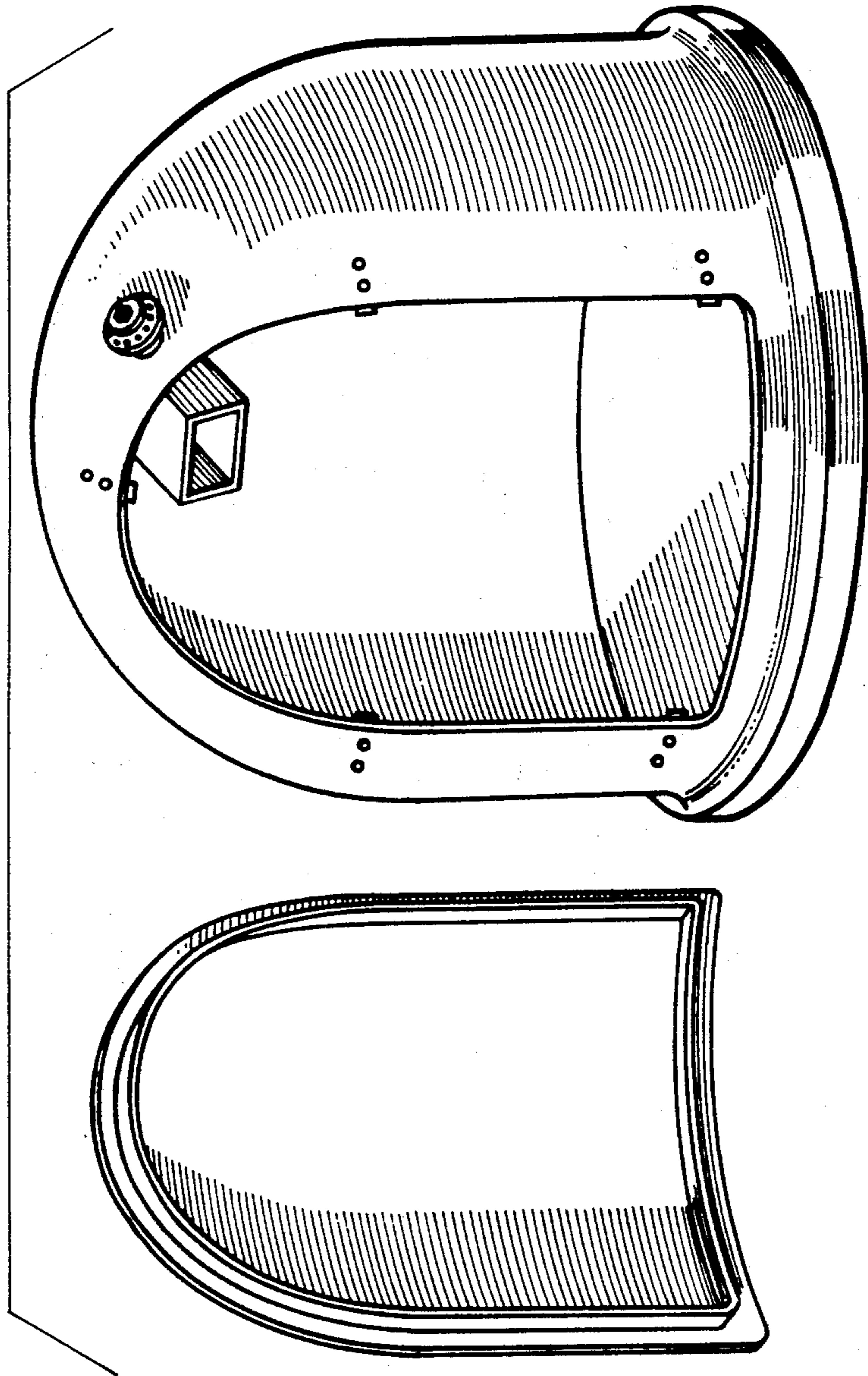
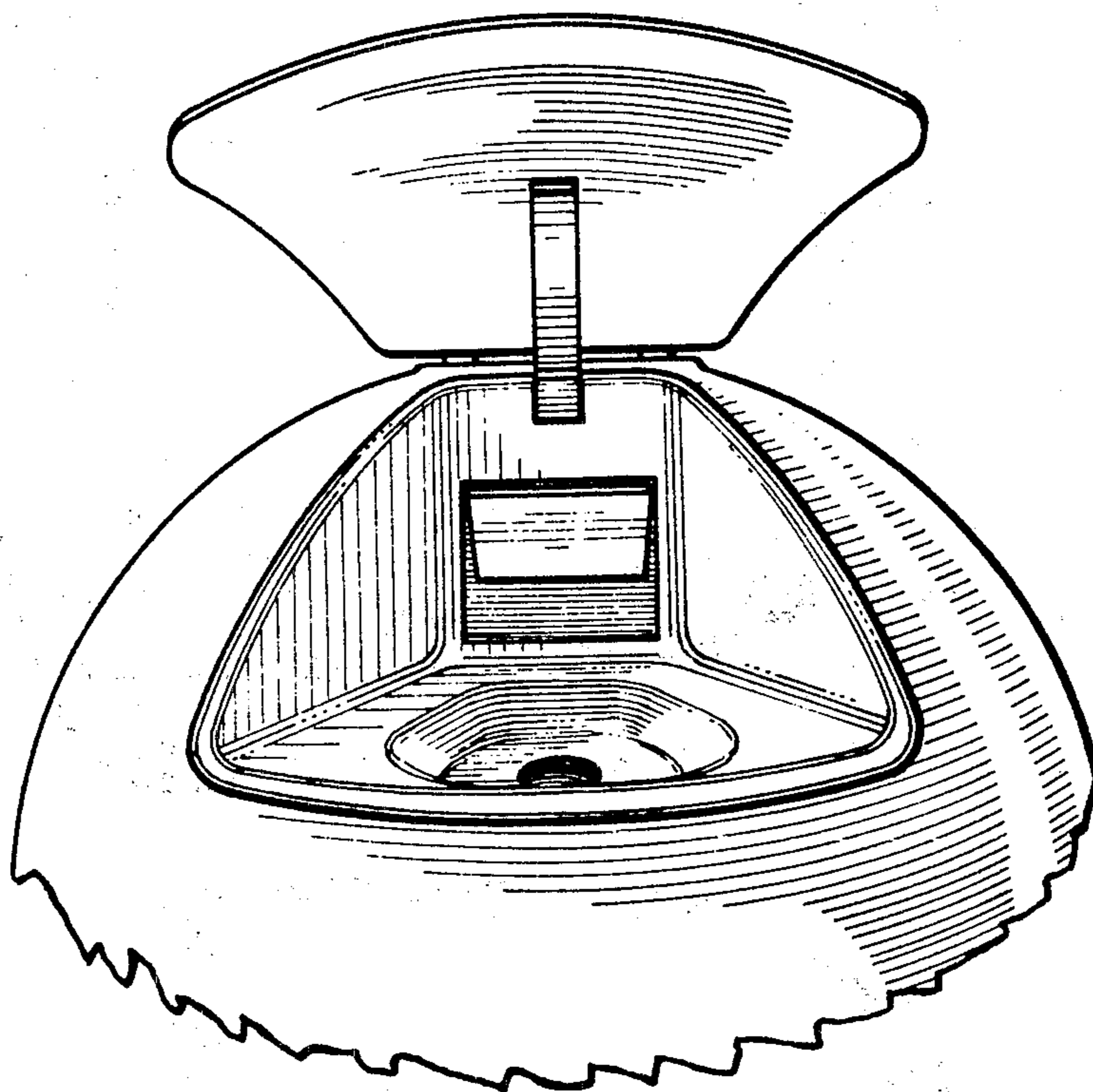


FIG. 2



**FIG. 3.**