

[54] CUTLERY DRAINER

[75] Inventor: Bruno Gecchelin, Milan, Italy

[73] Assignee: Fratelli Guzzini S.p.A., Recanati, Italy

[**] Term: 14 Years

[21] Appl. No.: 565,712

[22] Filed: Dec. 27, 1983

[52] U.S. Cl. D32/55; D32/3

[58] Field of Search 4/290, 292, 654, 656; 211/60.1, 70.6; D32/55, 56, 2, 3; D7/73, 74; 206/553; 134/92, 155, 201

[56] References Cited

U.S. PATENT DOCUMENTS

D. 193,641	9/1962	Stiller	D32/3
D. 202,569	10/1965	Maslow	D32/3
3,333,283	8/1967	Patterson	4/656
3,377,634	4/1968	Patterson	4/656 X
4,318,478	3/1982	De Winter	206/553

Primary Examiner—Catherine E. Kemper

Attorney, Agent, or Firm—Cushman, Darby & Cushman

[57] CLAIM

The ornamental design for a cutlery drainer, as shown and described.

DESCRIPTION

FIG. 1 is a perspective view of a cutlery drainer, showing my new design;
 FIG. 2 is an exploded perspective view thereof;
 FIG. 3 is another exploded perspective view, with the outer container shown from the rear and the inner container inverted;
 FIG. 4 is a right side elevational view of the cutlery drainer as shown in FIG. 1;
 FIG. 5 is a left side elevational view thereof;
 FIG. 6 is a front elevational view thereof;
 FIG. 7 is a rear elevational view thereof;
 FIG. 8 is a top plan view thereof;
 FIG. 9 is a bottom plan view thereof;
 FIG. 10 is a sectional view taken along line 10—10 of FIG. 8;
 FIG. 11 is a side elevational view of the inner container; and
 FIG. 12 is a bottom plan view of the inner container.

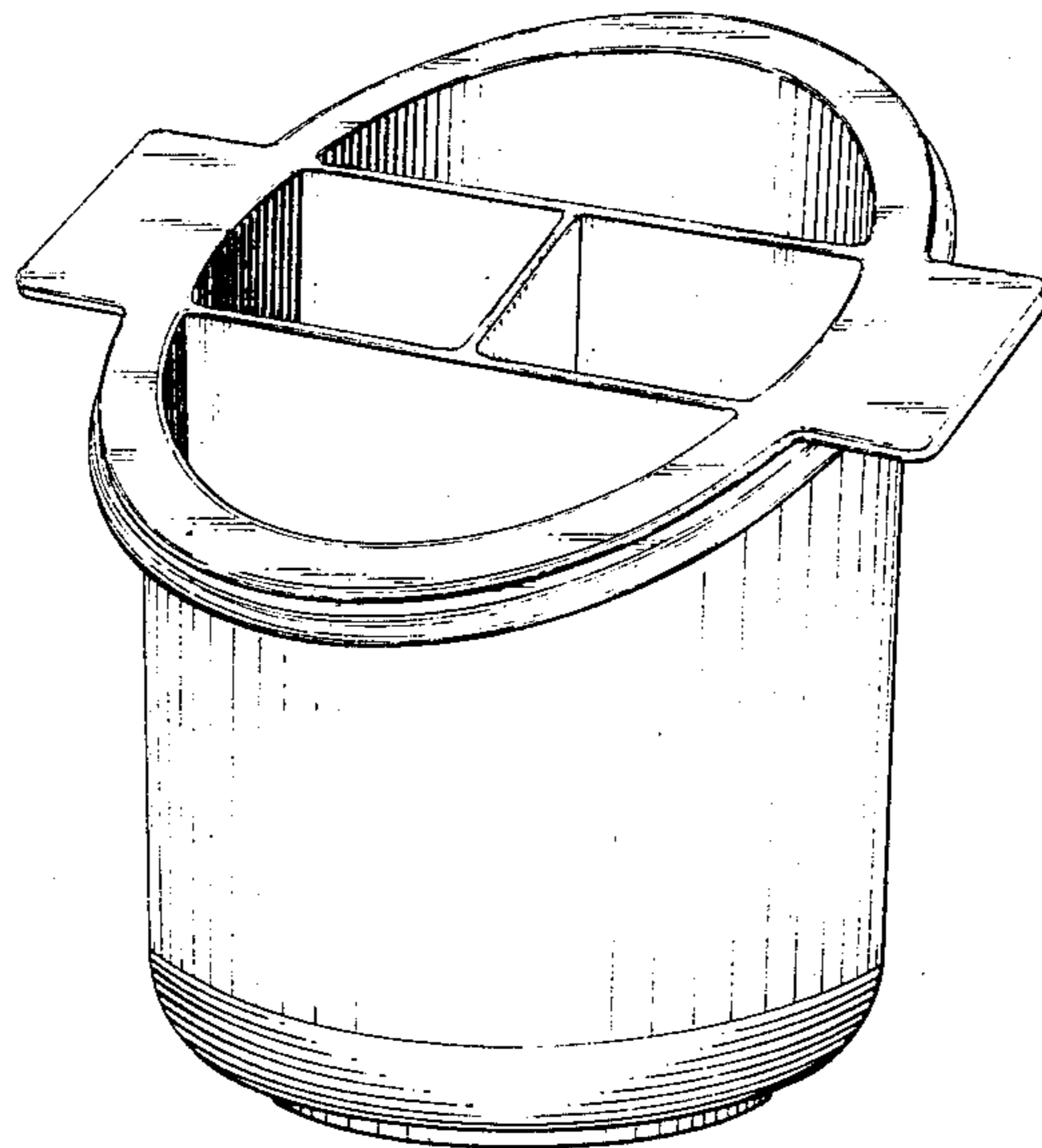


Fig. 1

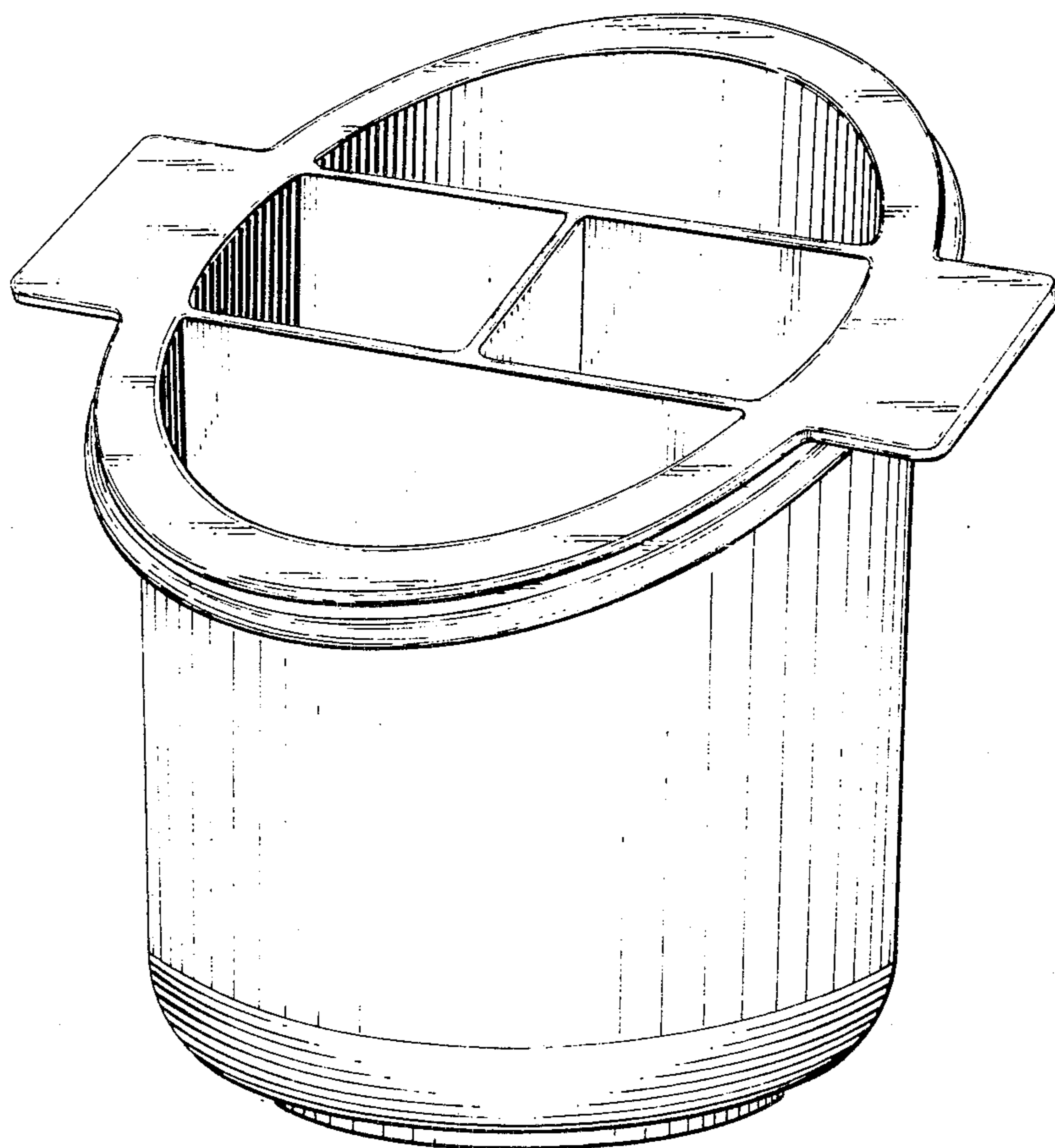


Fig. 2

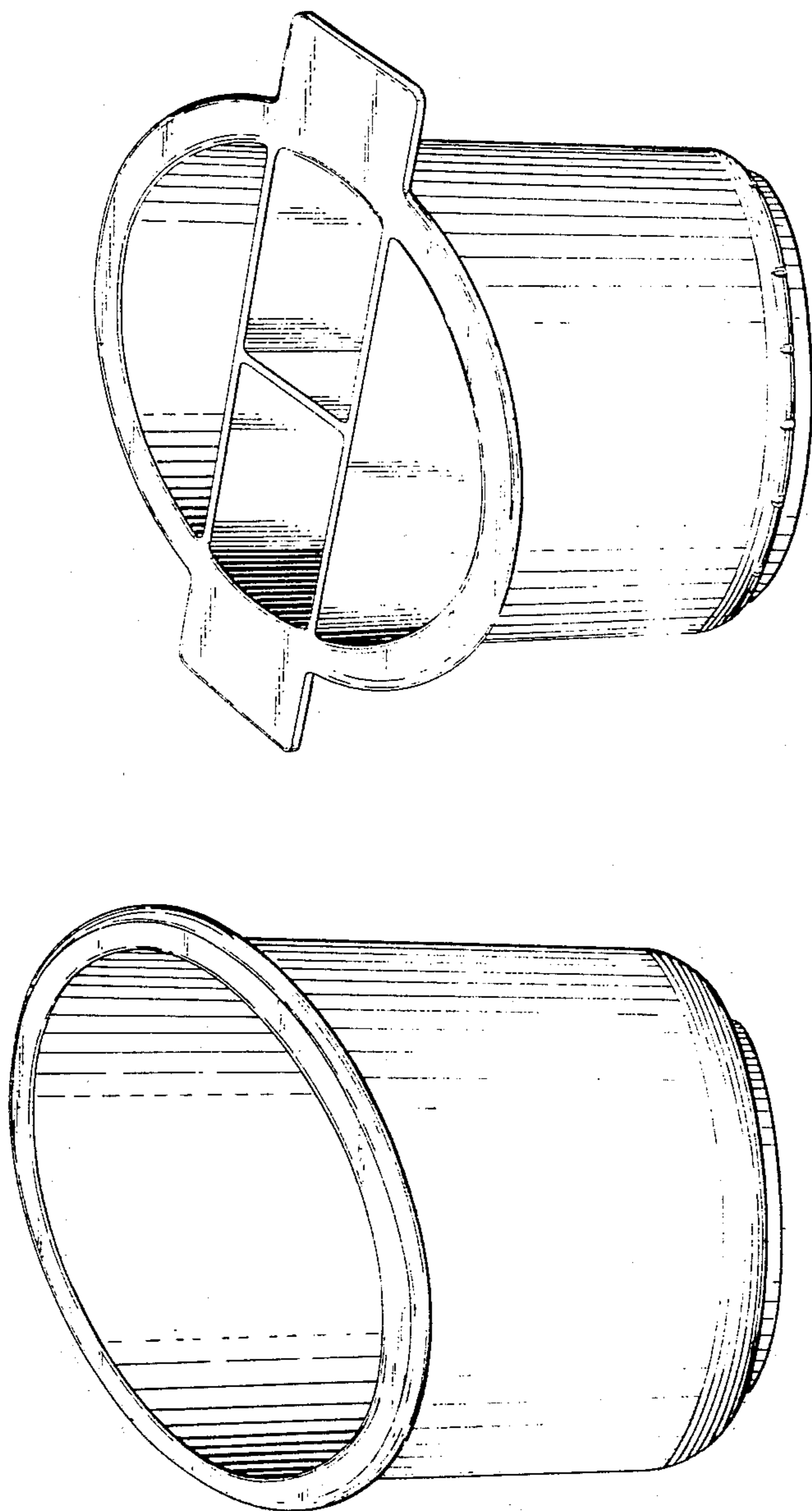


Fig. 3

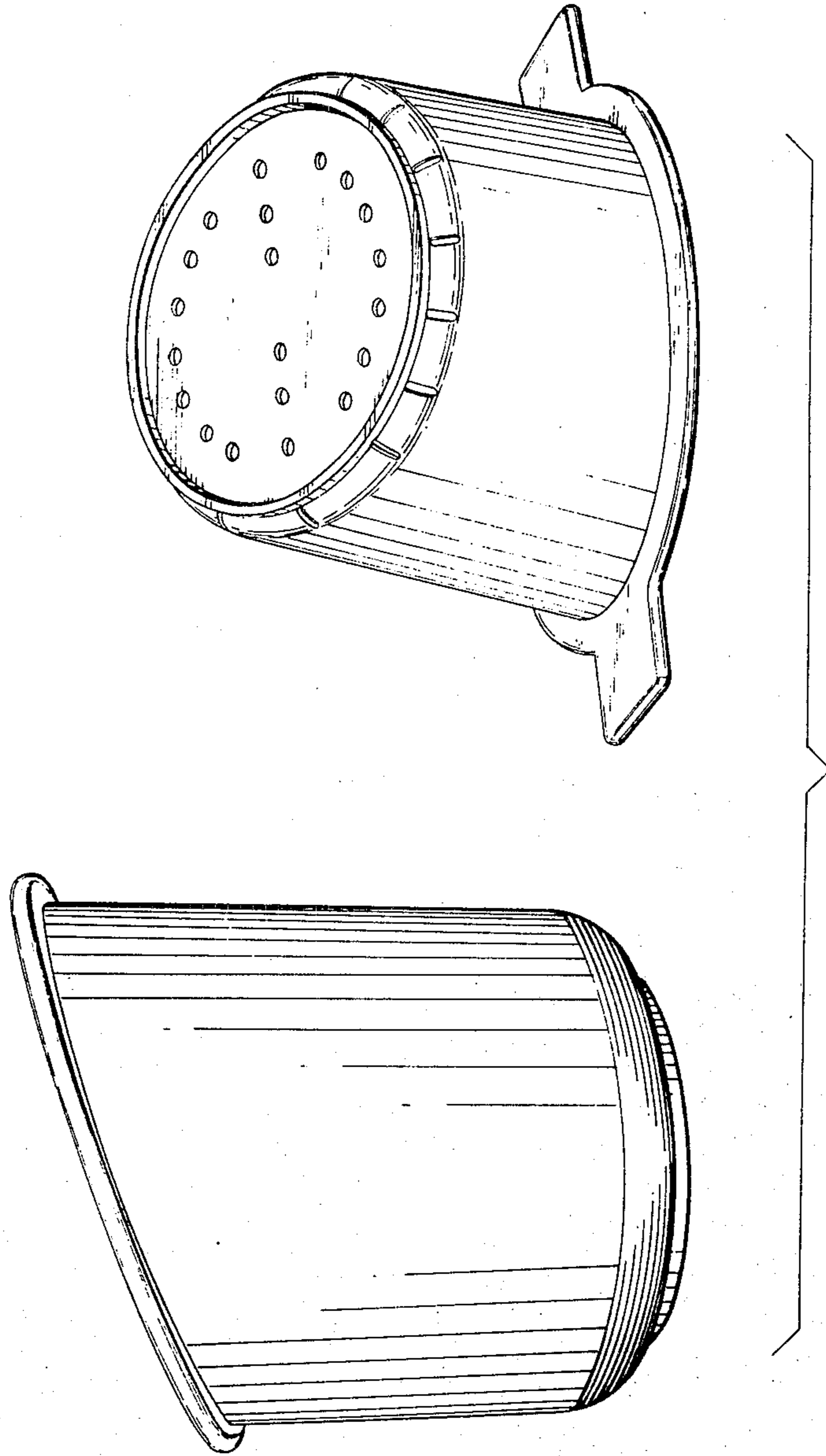


Fig. 4

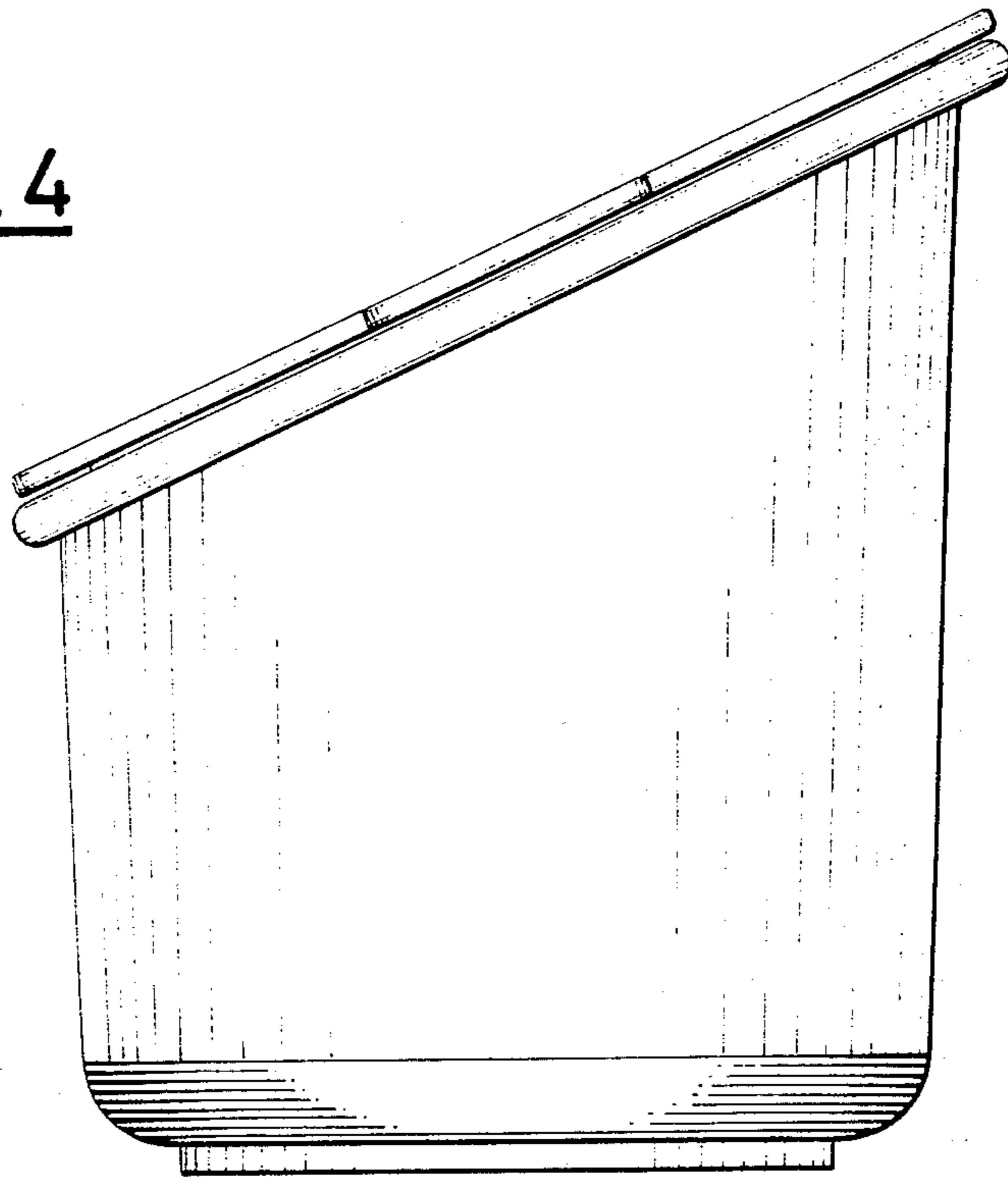
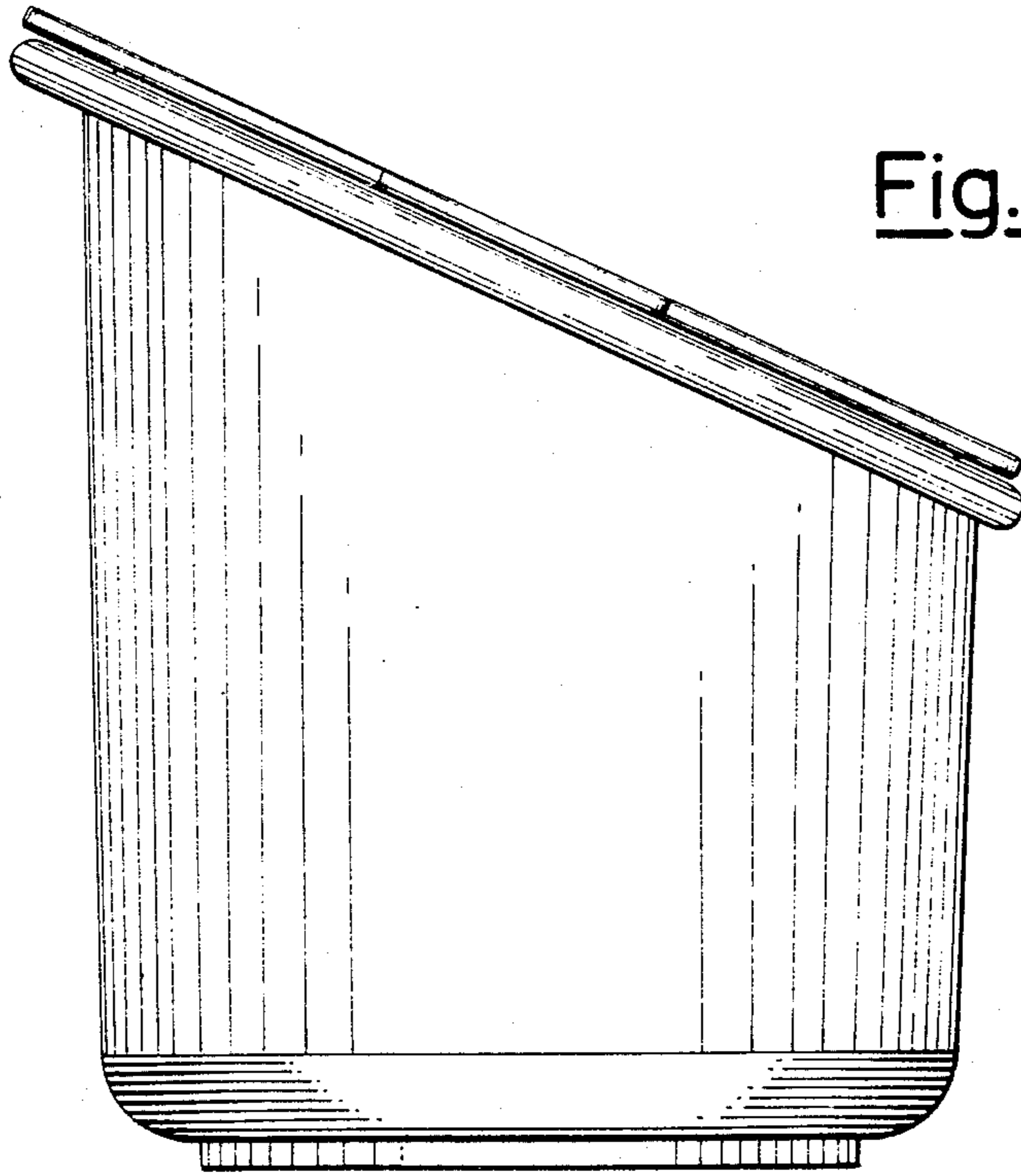


Fig. 5



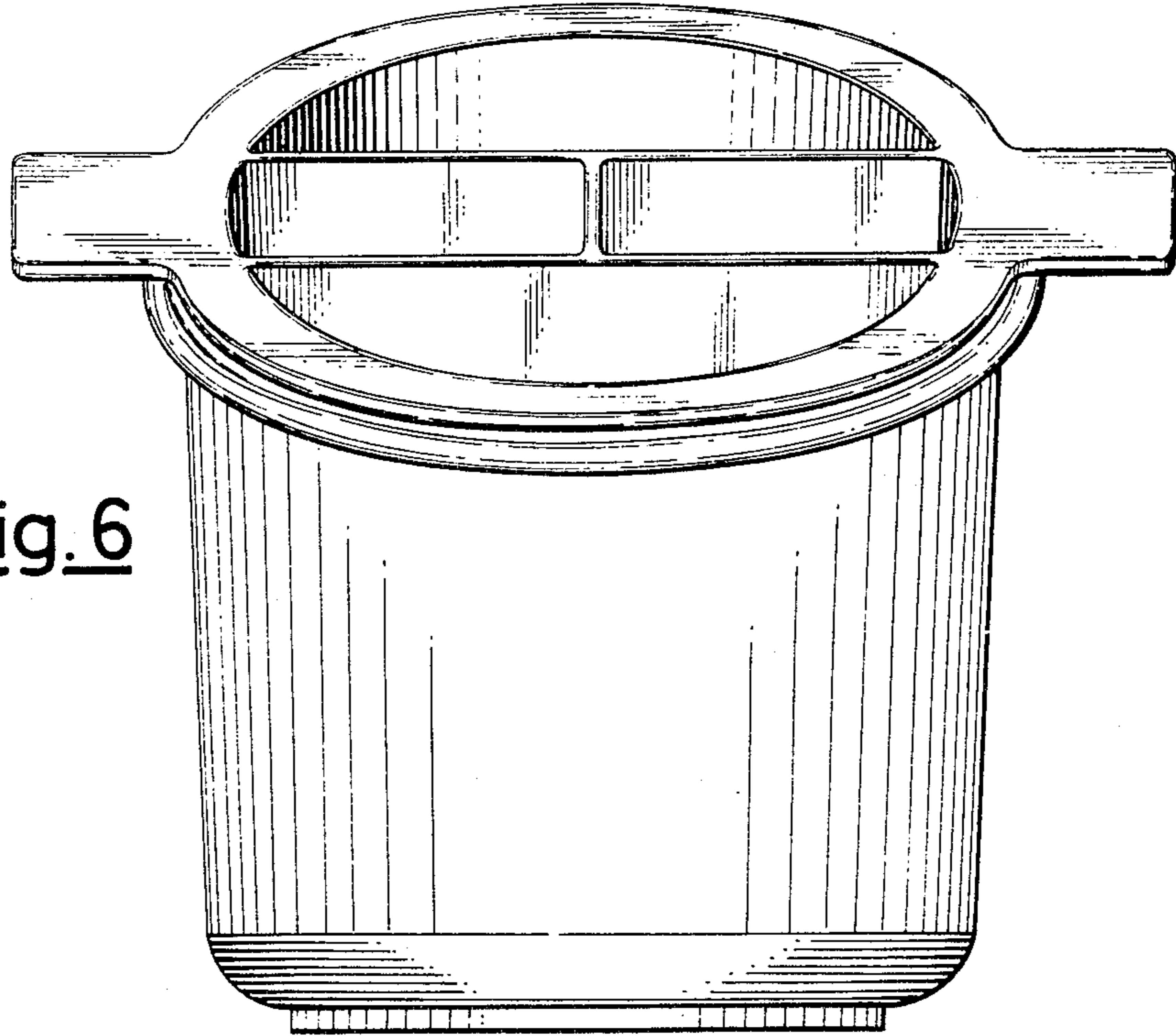


Fig. 6

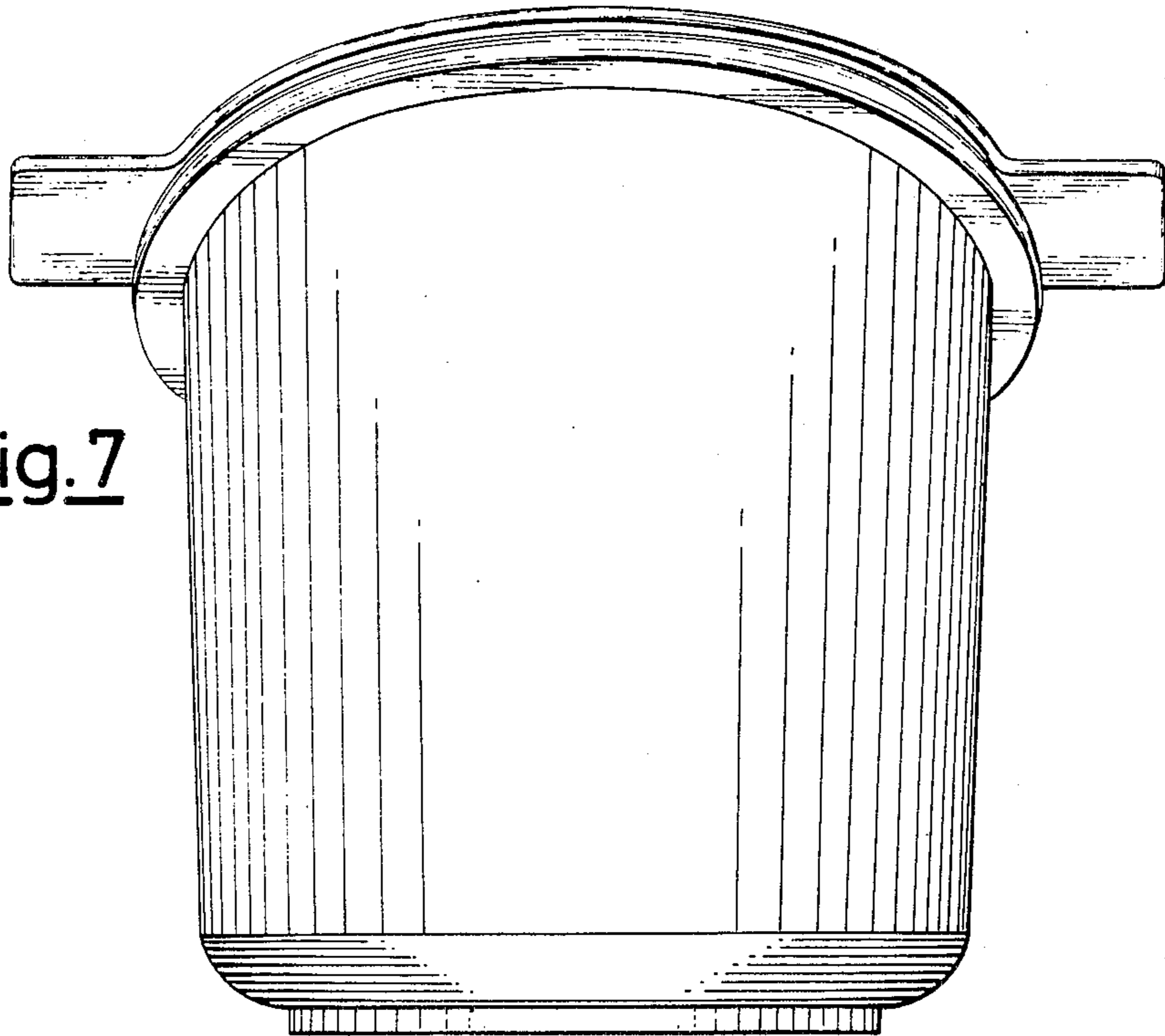


Fig. 7

Fig. 8

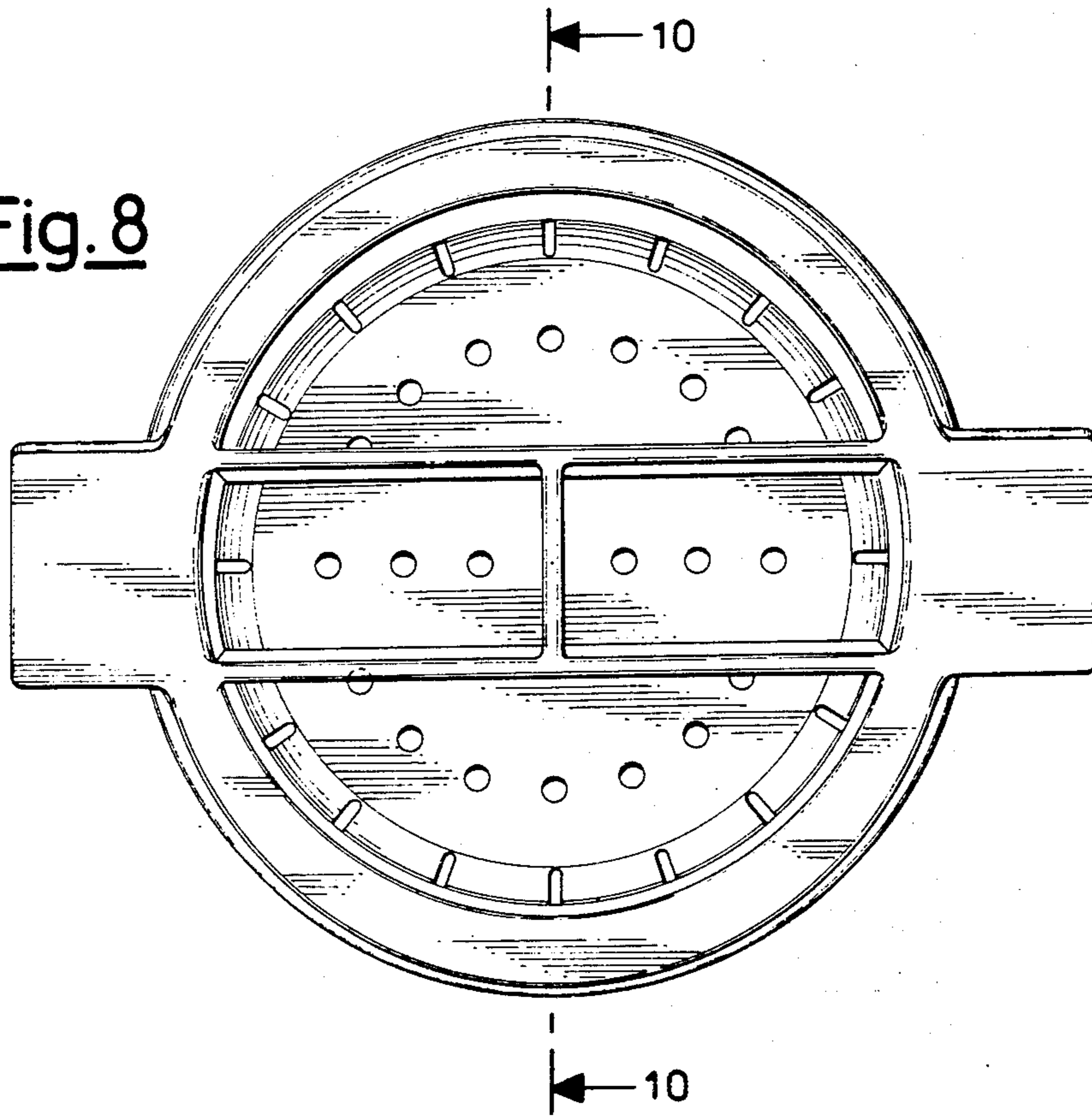


Fig. 9

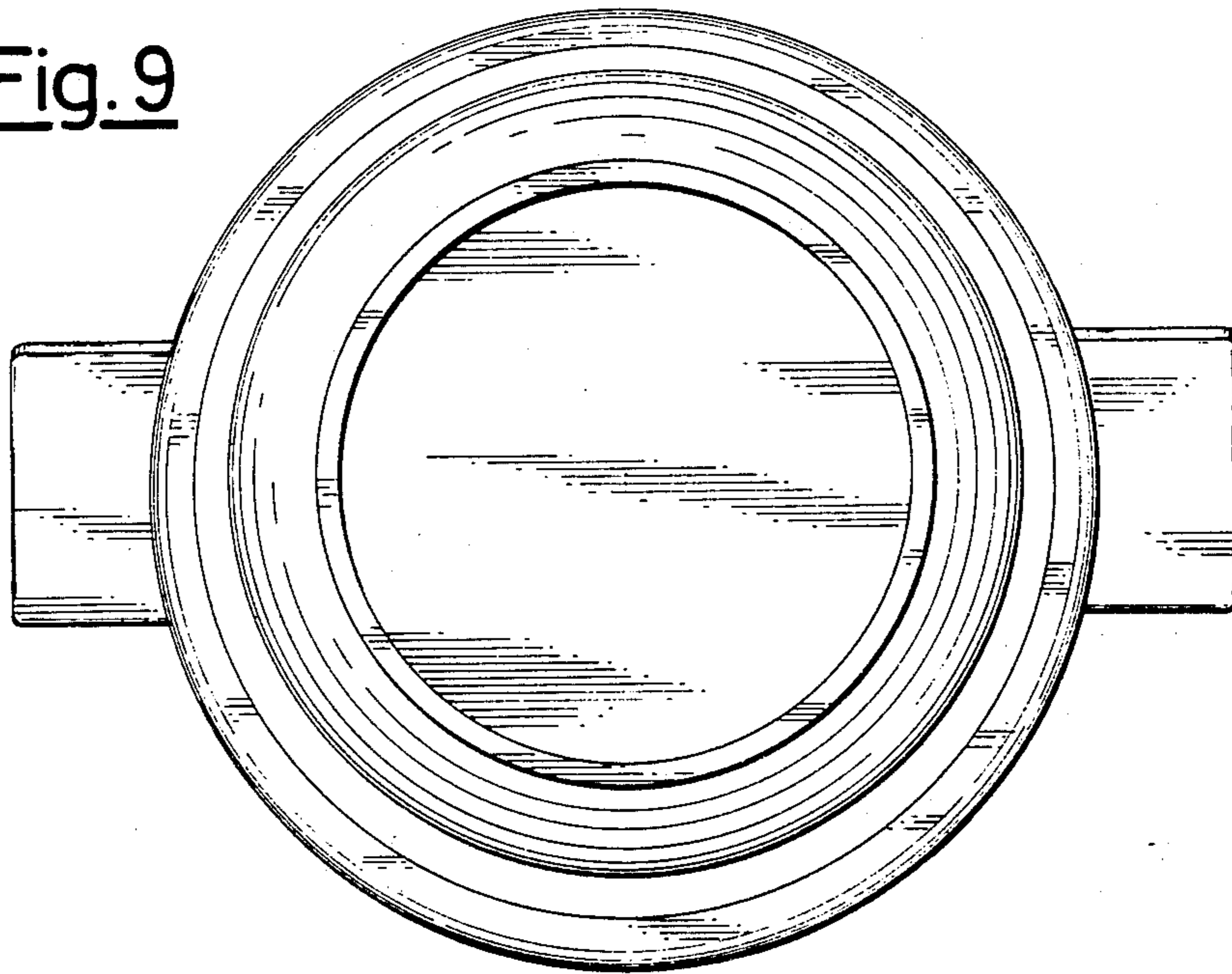


Fig.10

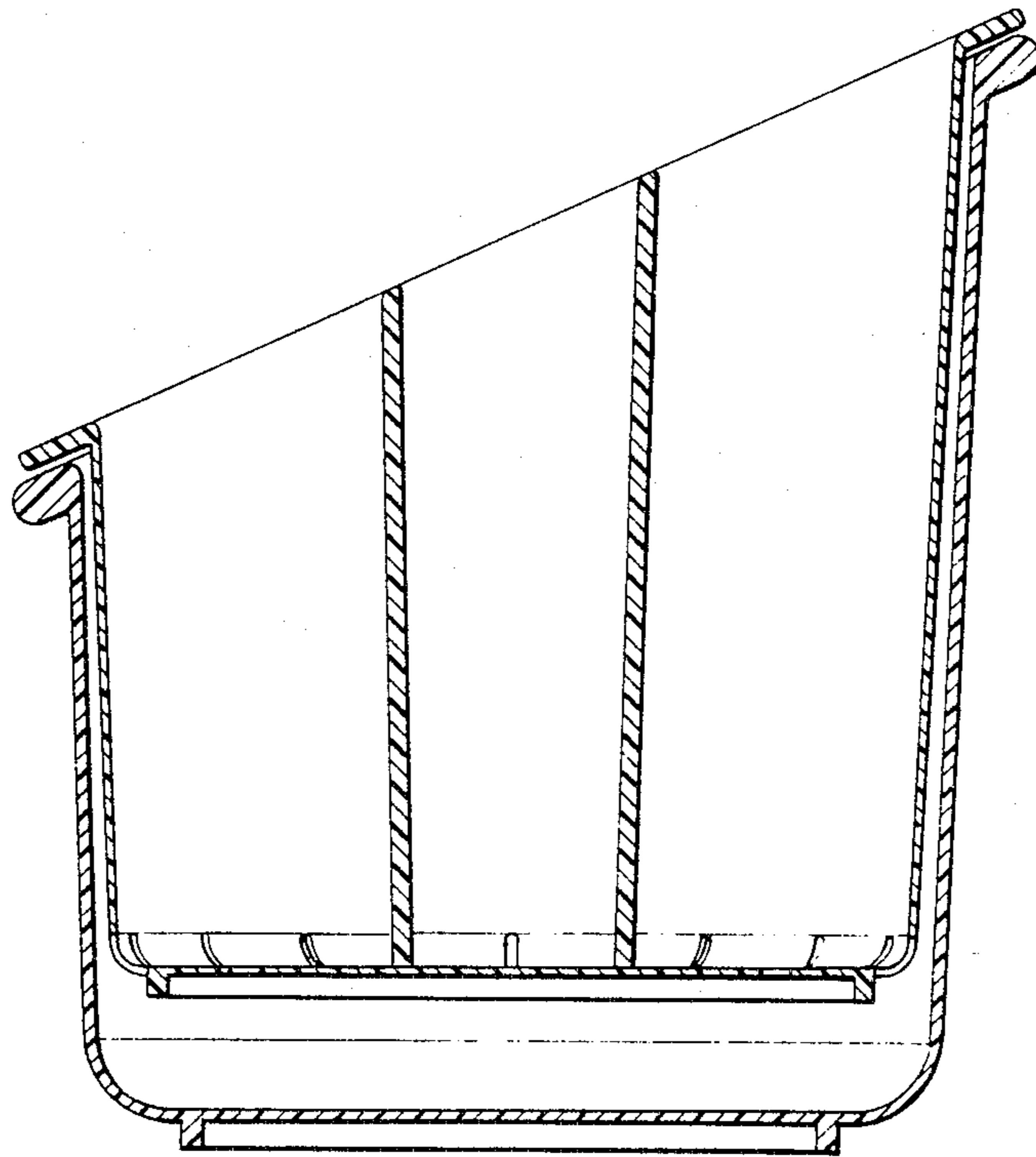


Fig.11

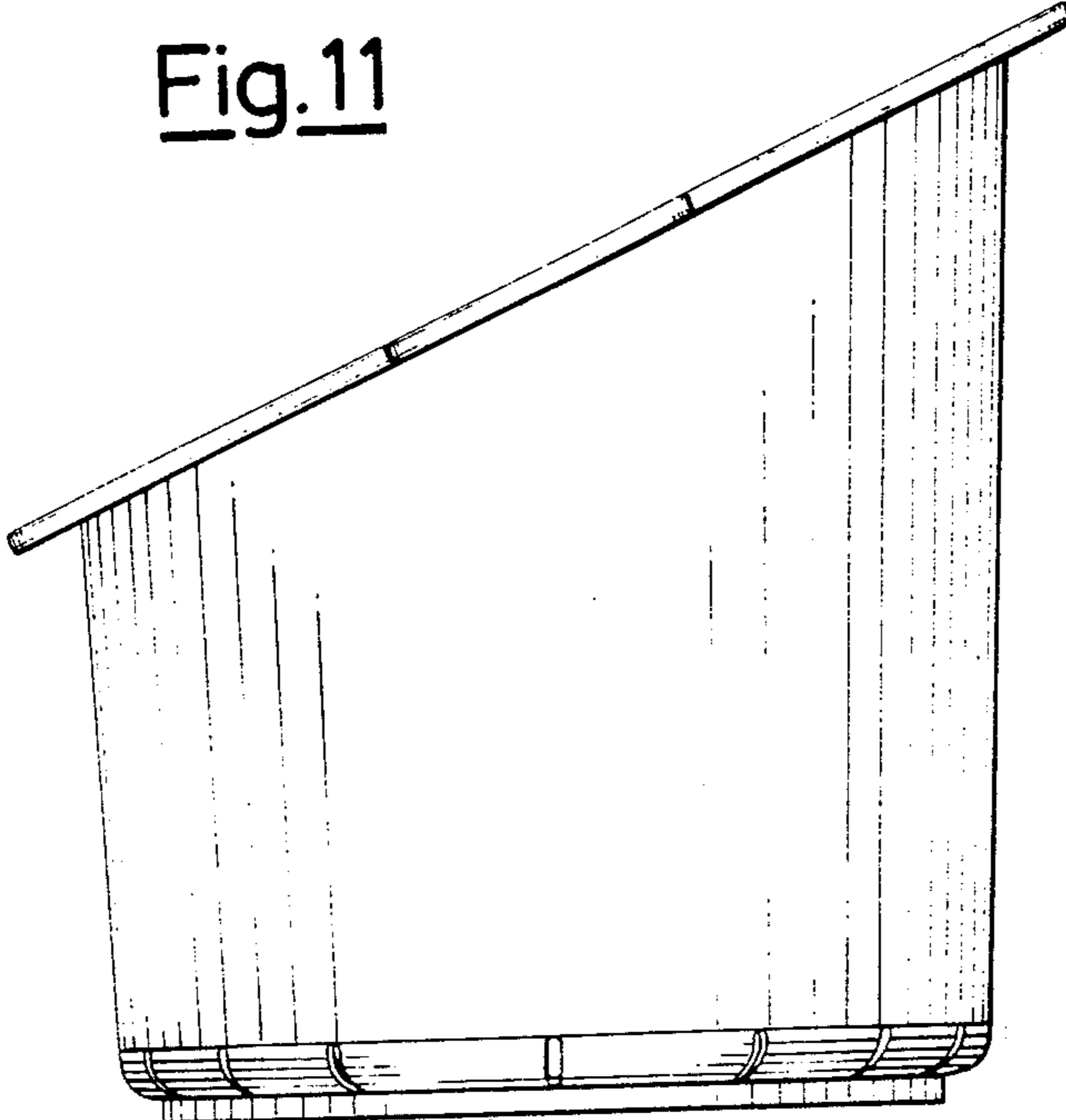


Fig.12

