

[54] LIQUID APPLICATOR

[75] Inventor: Robert J. Libman, Champaign, Ill.

[73] Assignee: Libman Broom Company, Arcola, Ill.

[**] Term: 14 Years

[21] Appl. No.: 606,869

[22] Filed: May 3, 1984

[52] U.S. Cl. D32/51; D32/45; D32/50; D32/52

[58] Field of Search 401/138, 140, 152, 207; 15/231, 232, 233, 244; D32/40, 45, 50, 51, 52

[56] References Cited

U.S. PATENT DOCUMENTS

916,755	3/1909	Moseke	15/231
1,616,767	2/1927	Stevens	15/231 X
1,767,766	6/1930	Lunkenheimer	15/231
2,073,170	3/1937	Pieper	401/138
2,187,670	1/1940	Suddarth	15/231 X
2,205,535	6/1940	Muckenhirn	15/231 X
2,653,338	9/1953	Johnson	401/138

2,902,703	9/1959	Schulman	401/138
3,395,415	8/1968	Leland	15/244 A X
3,395,418	8/1968	Malmo	15/231
3,629,894	12/1971	Stefany	15/146

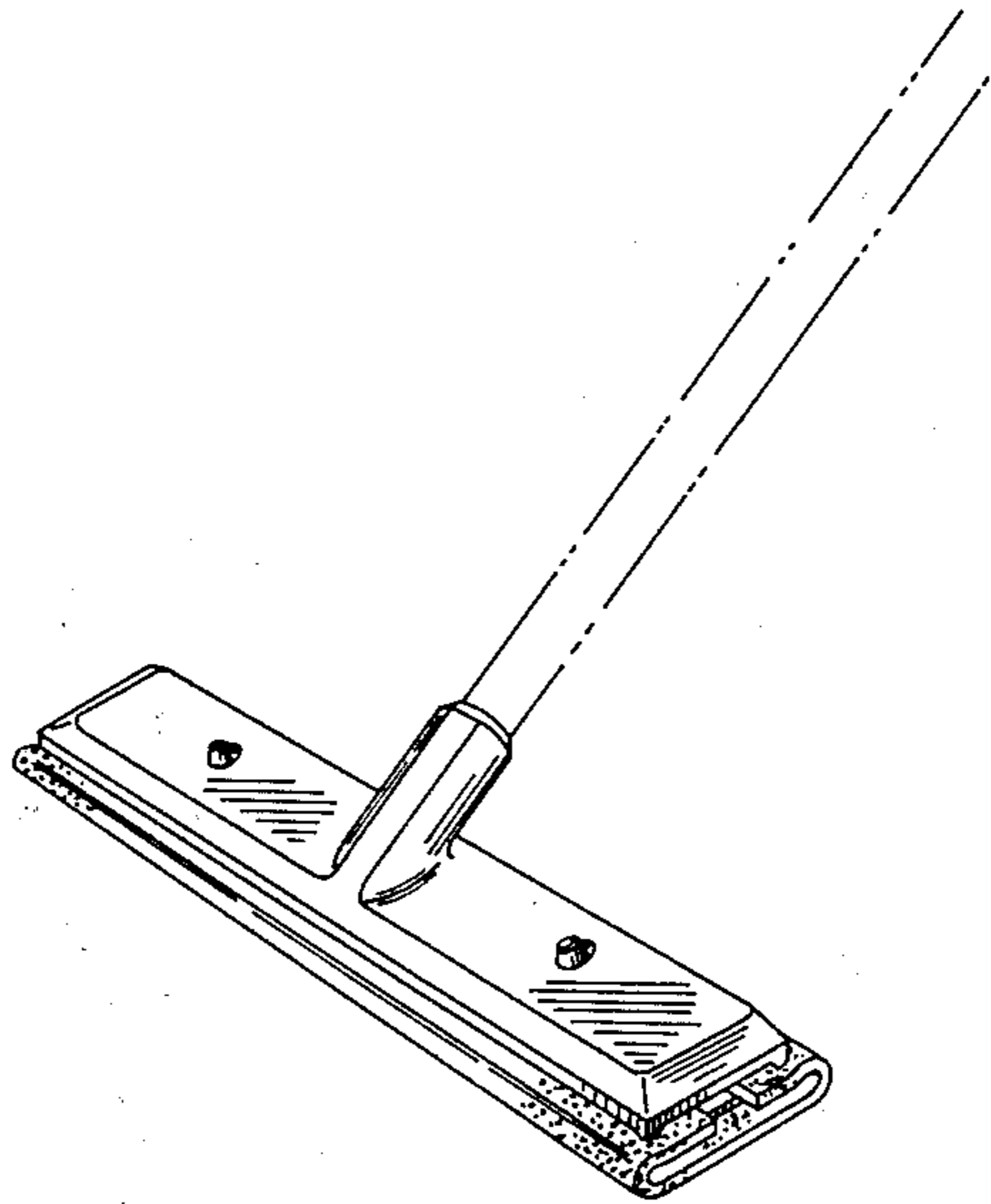
Primary Examiner—Catherine E. Kemper
Attorney, Agent, or Firm—Marshall, O'Toole, Gerstein, Murray & Bicknell

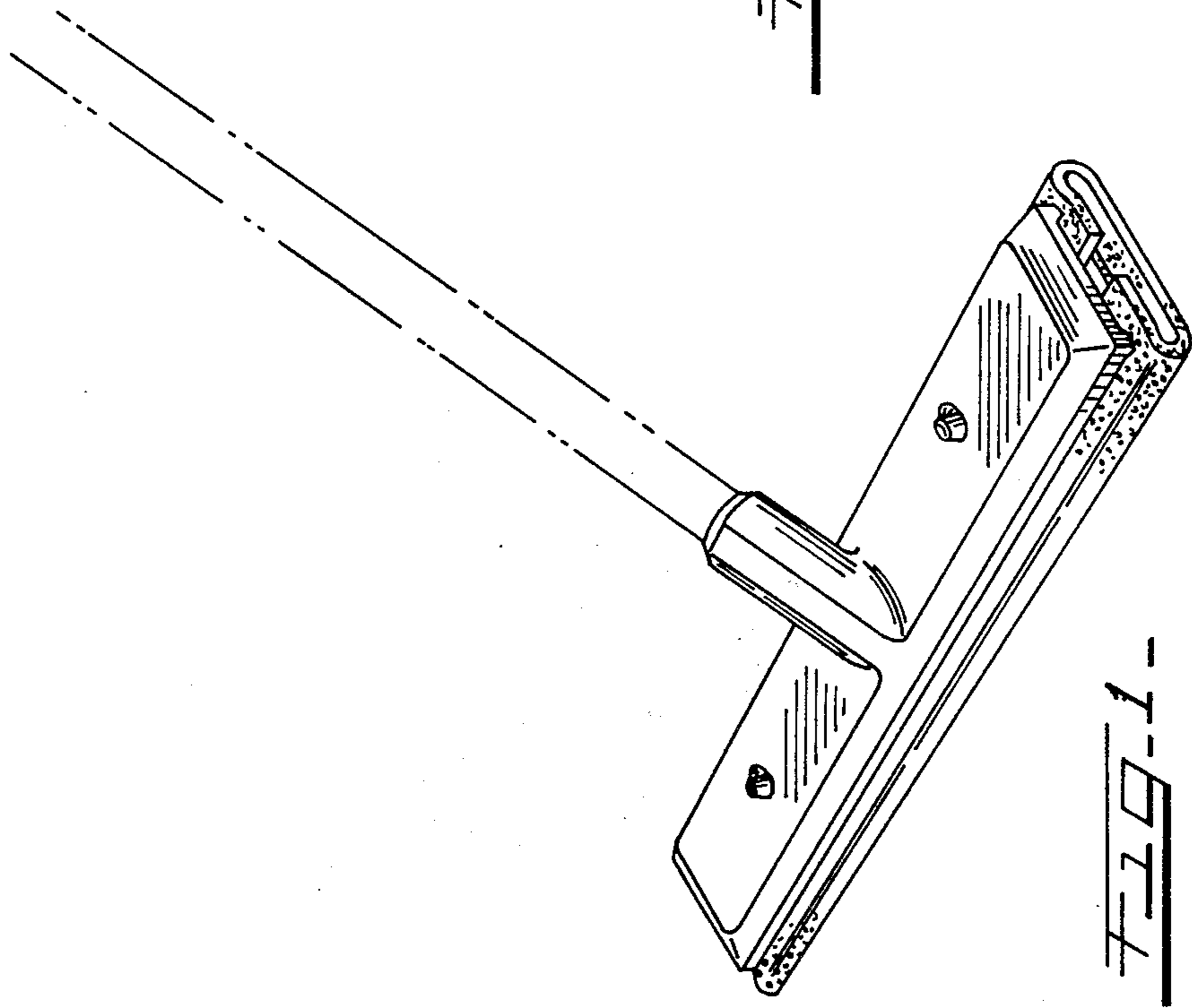
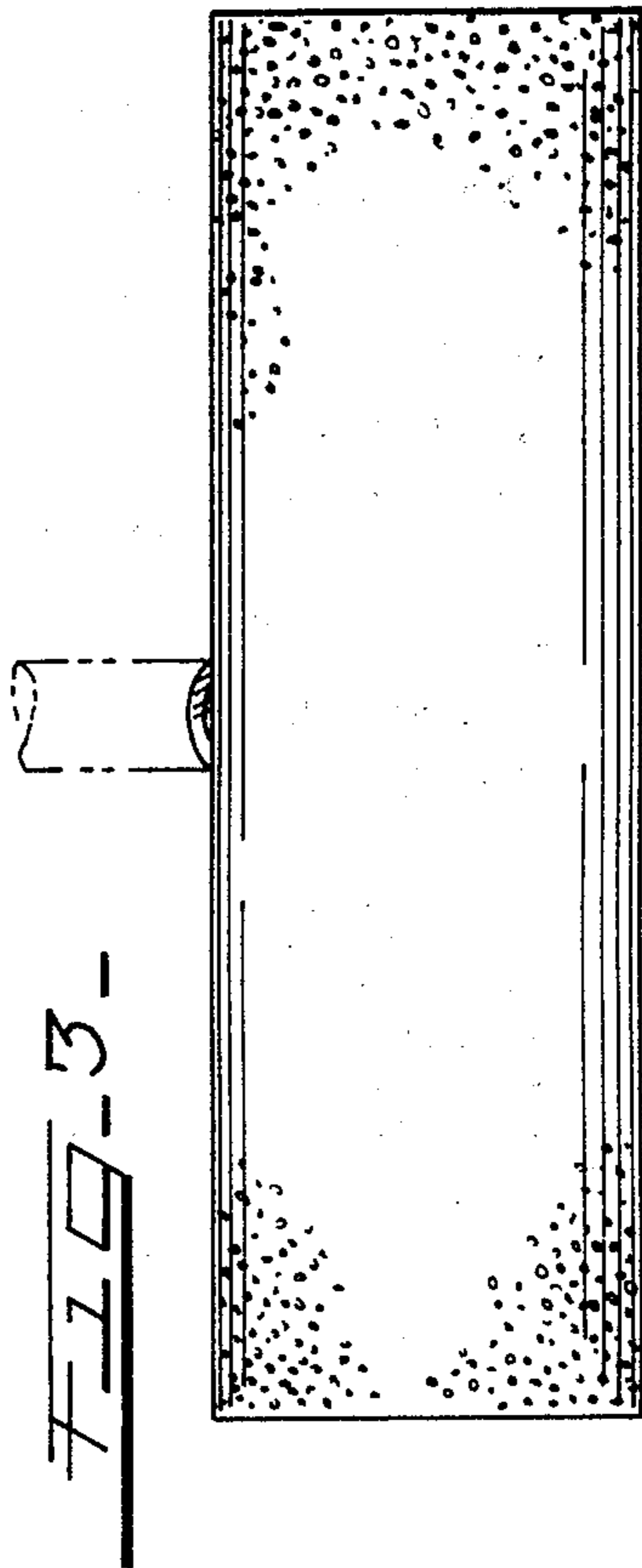
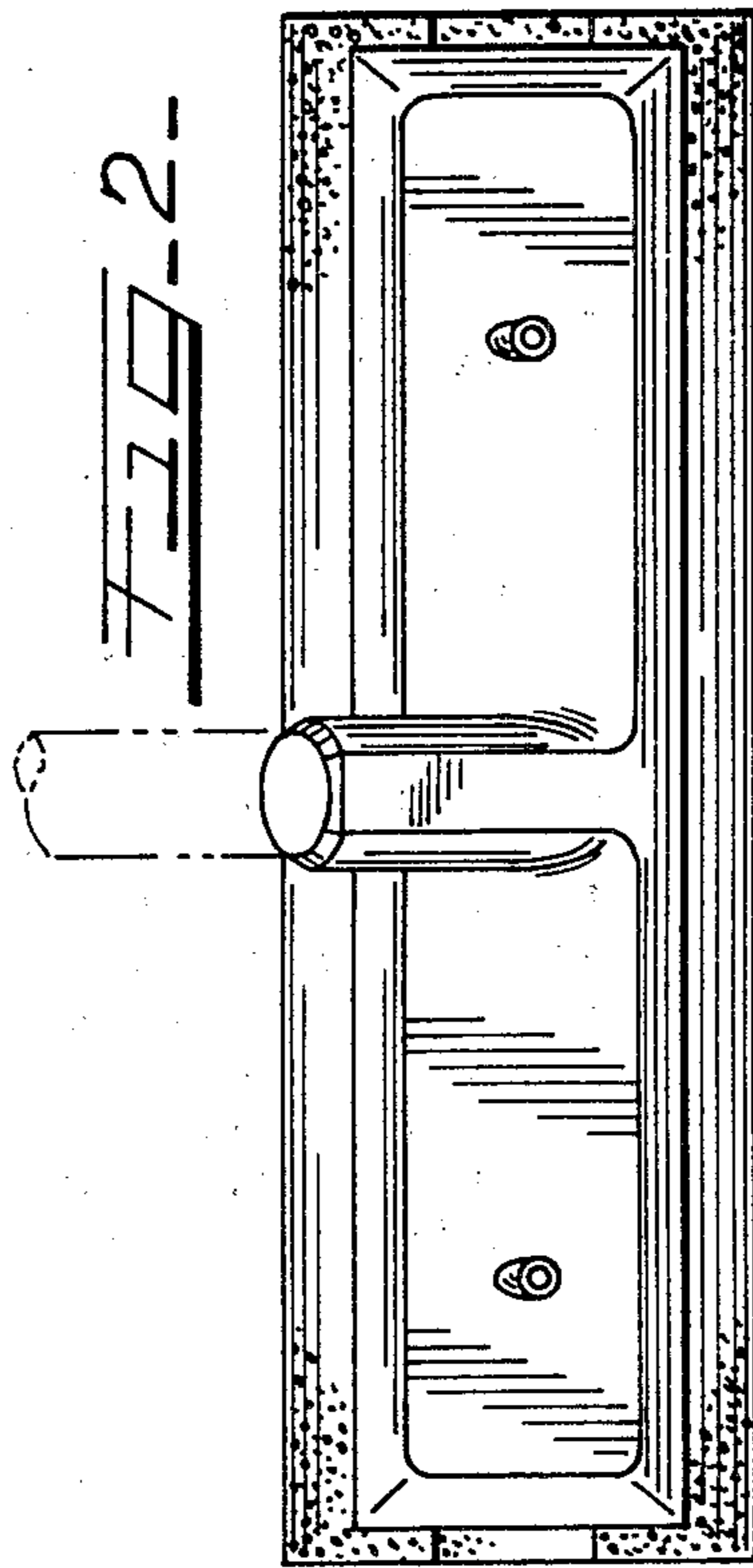
[57] CLAIM

The ornamental design for a liquid applicator, as shown and described.

DESCRIPTION

FIG. 1 is a perspective view of the liquid applicator, showing my new design;
FIG. 2 is a top plan view thereof;
FIG. 3 is a bottom plan view thereof;
FIG. 4 is a front elevational view thereof;
FIG. 5 is a rear elevational view thereof; and
FIG. 6 is a side elevational view thereof.
The broken line disclosure of a handle in the drawings is for illustrative purposes only and forms no part of the claimed design.





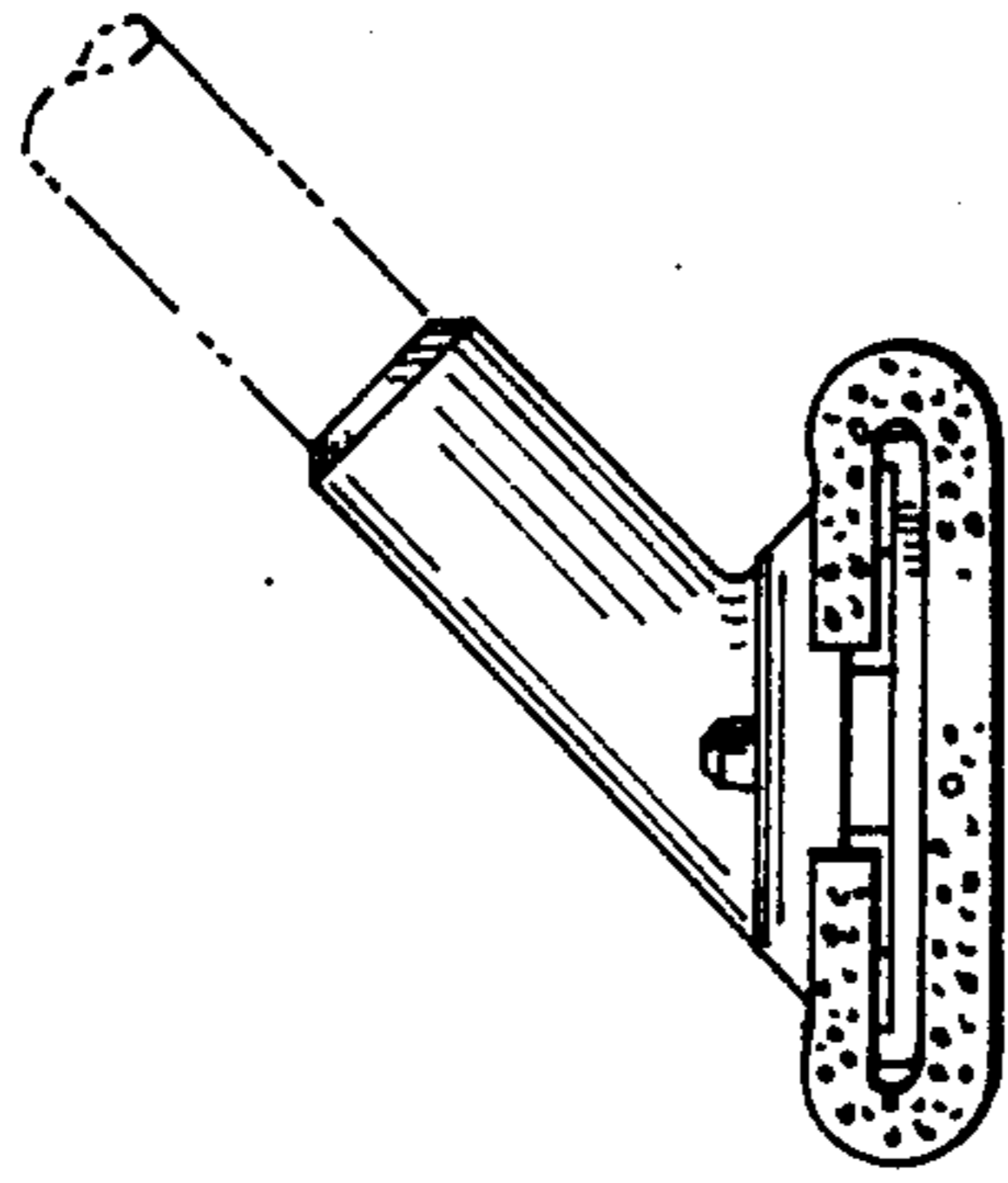
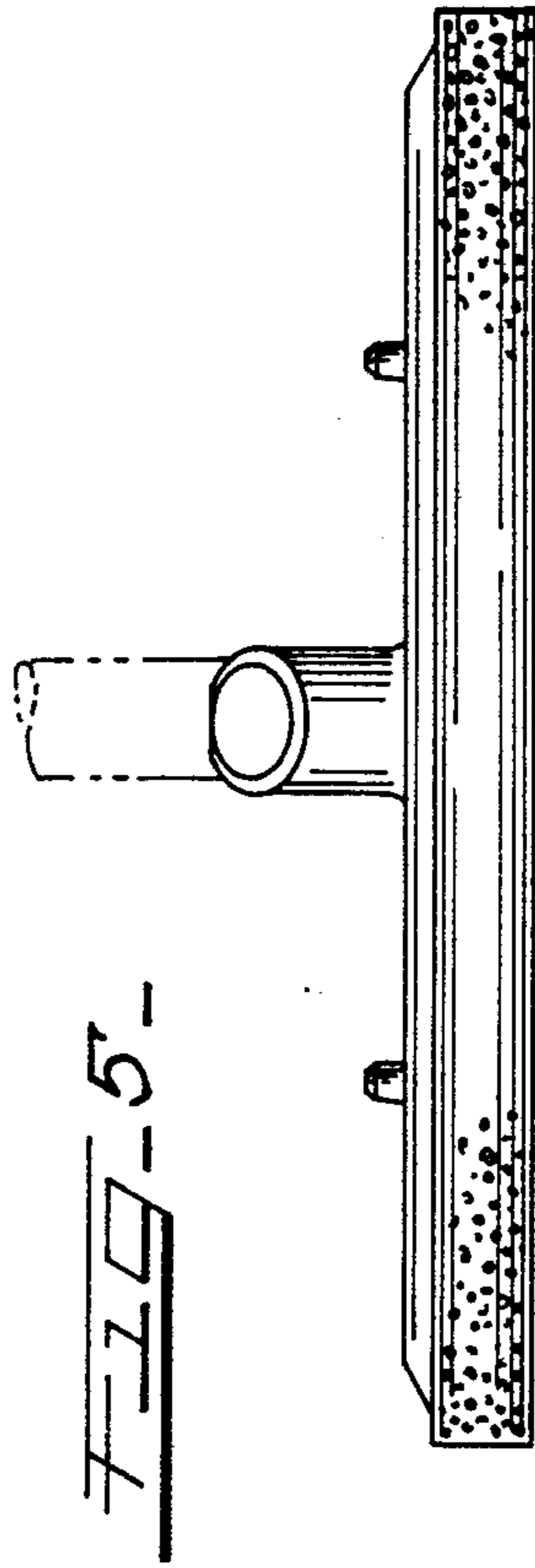
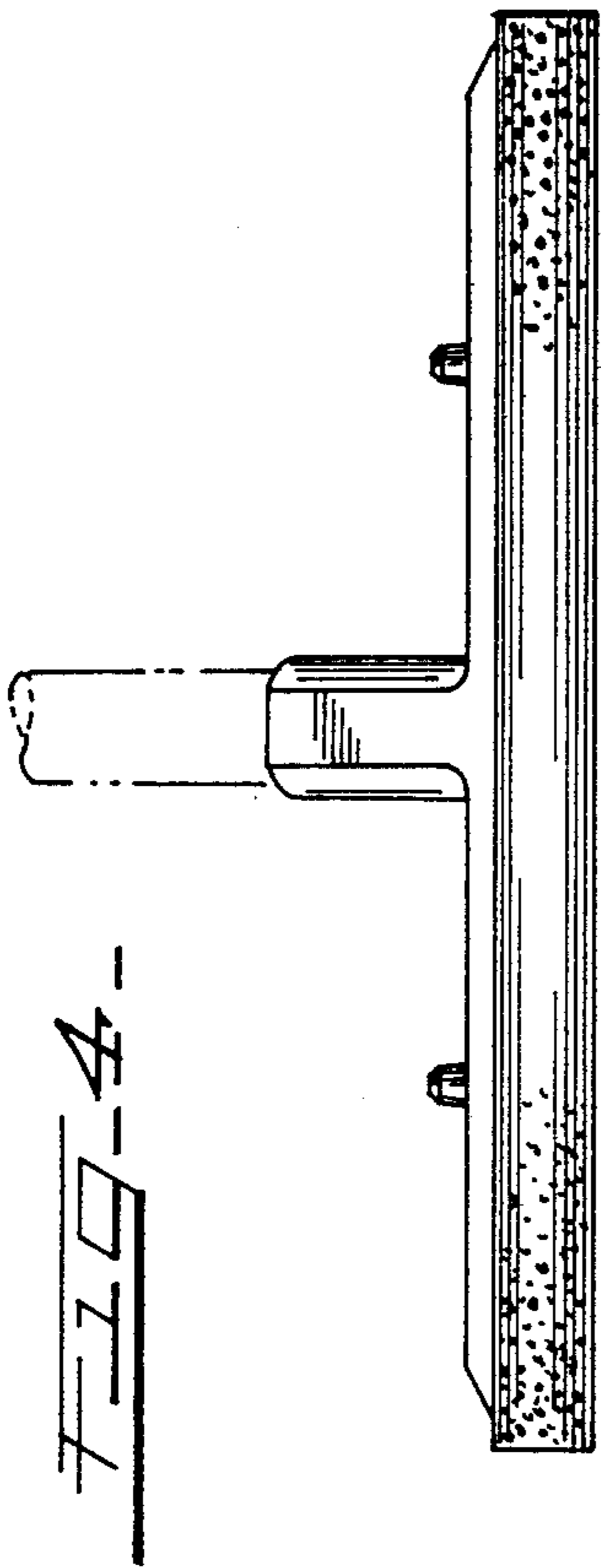


FIG-6