

[54] MOTOR HOUSING FOR CANISTER TYPE ELECTRIC VACUUM CLEANER

[75] Inventors: Robert C. Berfield, Jersey Shore; Ronald F. Meland, Muncy; Robert L. Crevling, Jr., Williamsport, all of Pa.

[73] Assignee: Shop-Vac Corporation, Williamsport, Pa.

[\*\*] Term: 14 Years

[21] Appl. No.: 571,562

[22] Filed: Jan. 17, 1984

[52] U.S. Cl. .... D32/25

[58] Field of Search ..... D32/21-25; 15/352-353, 347, 412, 413, 323, 326, 327 R, 327 F, 327 B, 327 D, 327 E; 55/DIG. 3

[56] References Cited

U.S. PATENT DOCUMENTS

D. 243,574	3/1977	Bartlett	.....	D32/23
D. 260,151	8/1981	Martinec	.....	D32/31
2,627,937	2/1953	Martinec	.....	15/327 D
2,818,596	1/1958	Martinec	.....	15/257 A
4,435,877	3/1984	Berfield	.....	15/326
4,458,377	7/1984	Frohbieter	.....	15/320

OTHER PUBLICATIONS

Hardware Age, vol. 218, Dec. 1981, p. 309, Shop Vac. Montgomery Ward, Fall & Winter 1975, p. 695, Powr Kraft Wet/Dry Vac.

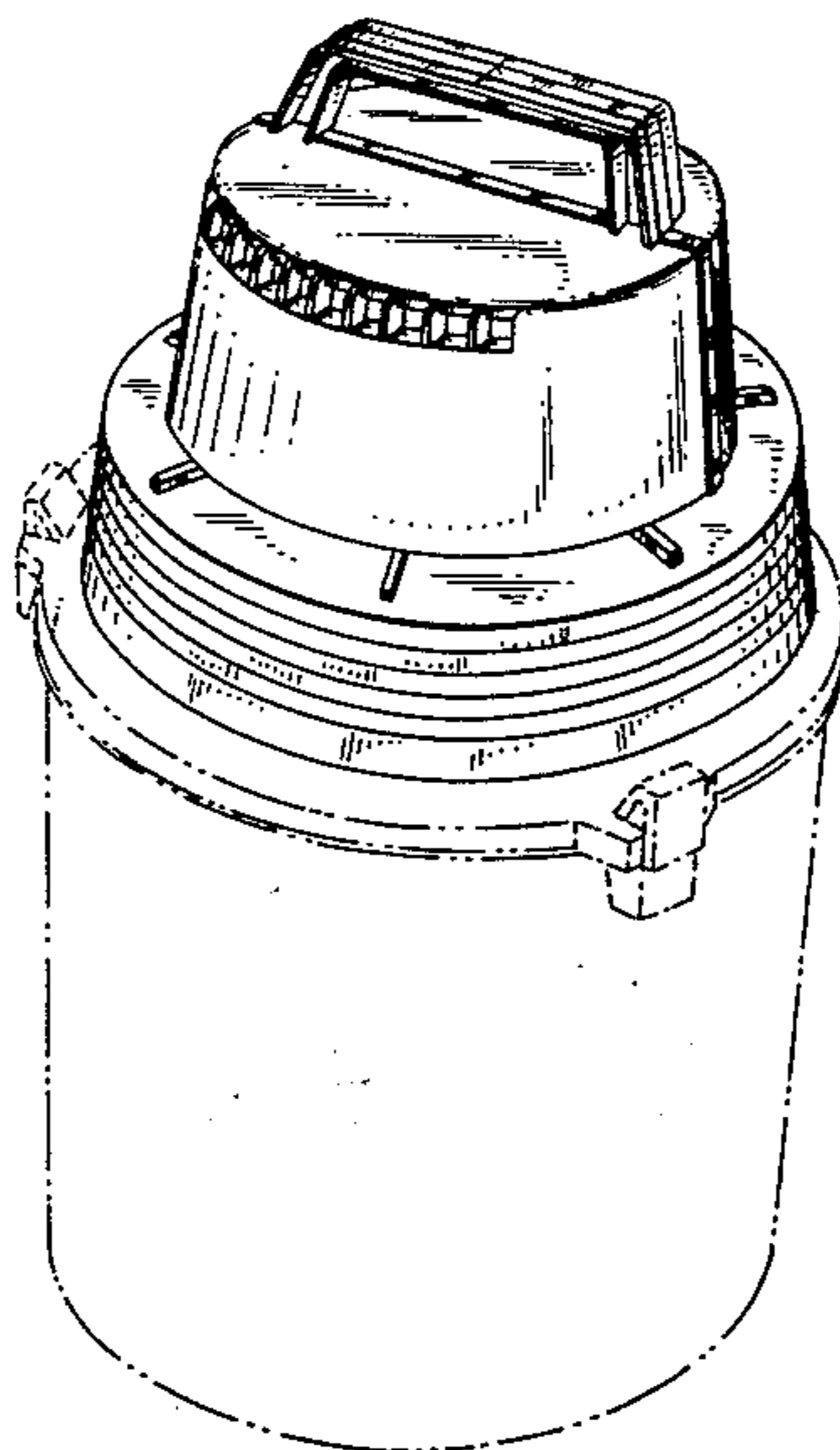
Primary Examiner—Wallace R. Burke  
Assistant Examiner—Ruth E. Takemoto  
Attorney, Agent, or Firm—Ostrolenk, Faber, Gerb & Soffen

[57] CLAIM

The ornamental design for motor housing for canister type electric vacuum cleaner, as shown and described.

DESCRIPTION

FIG. 1 is a front perspective view of a motor housing for canister type electric vacuum cleaner showing our new design, the broken lines are for illustrative purposes only and form no part of the claimed design; FIG. 2 is a top plan view thereof; FIG. 3 is a rear elevational view thereof; FIG. 4 is a front elevational view thereof; FIG. 5 is a right side elevational view thereof; and FIG. 6 is a left side elevational view thereof. The material shown in broken lines is environmental material and not part of our design.



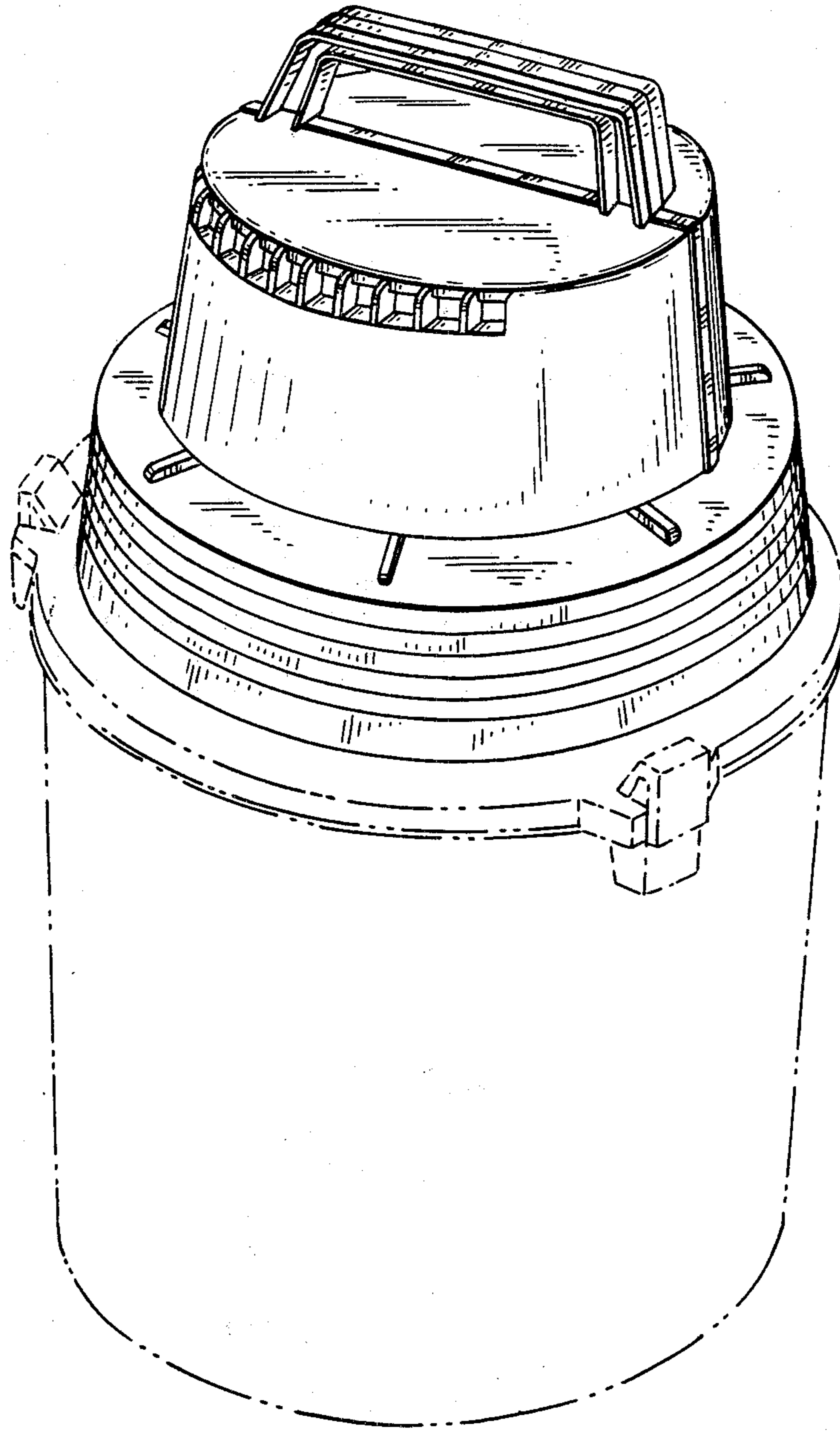


FIG. 1.

*FIG. 2.*

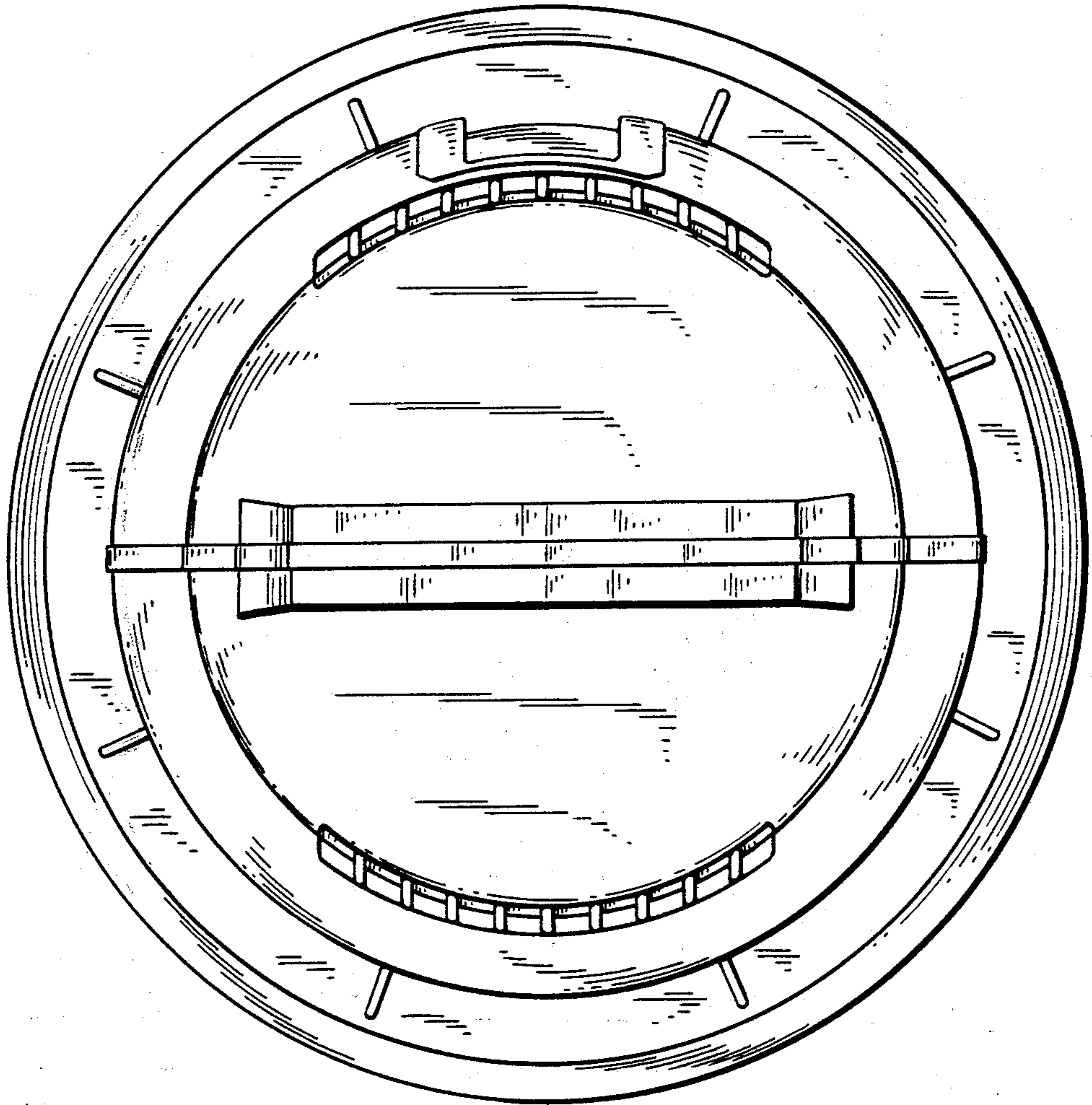


FIG. 3.

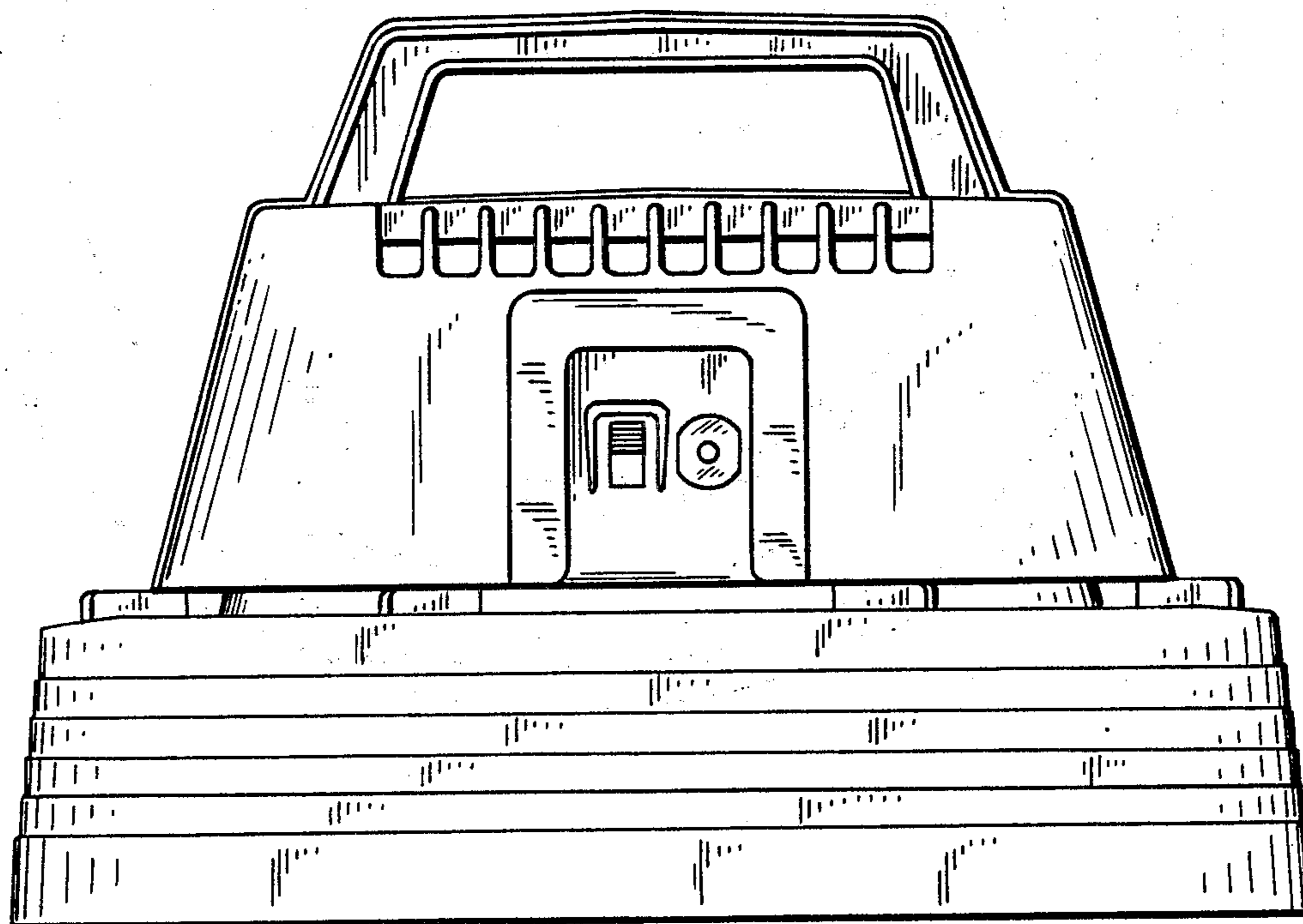
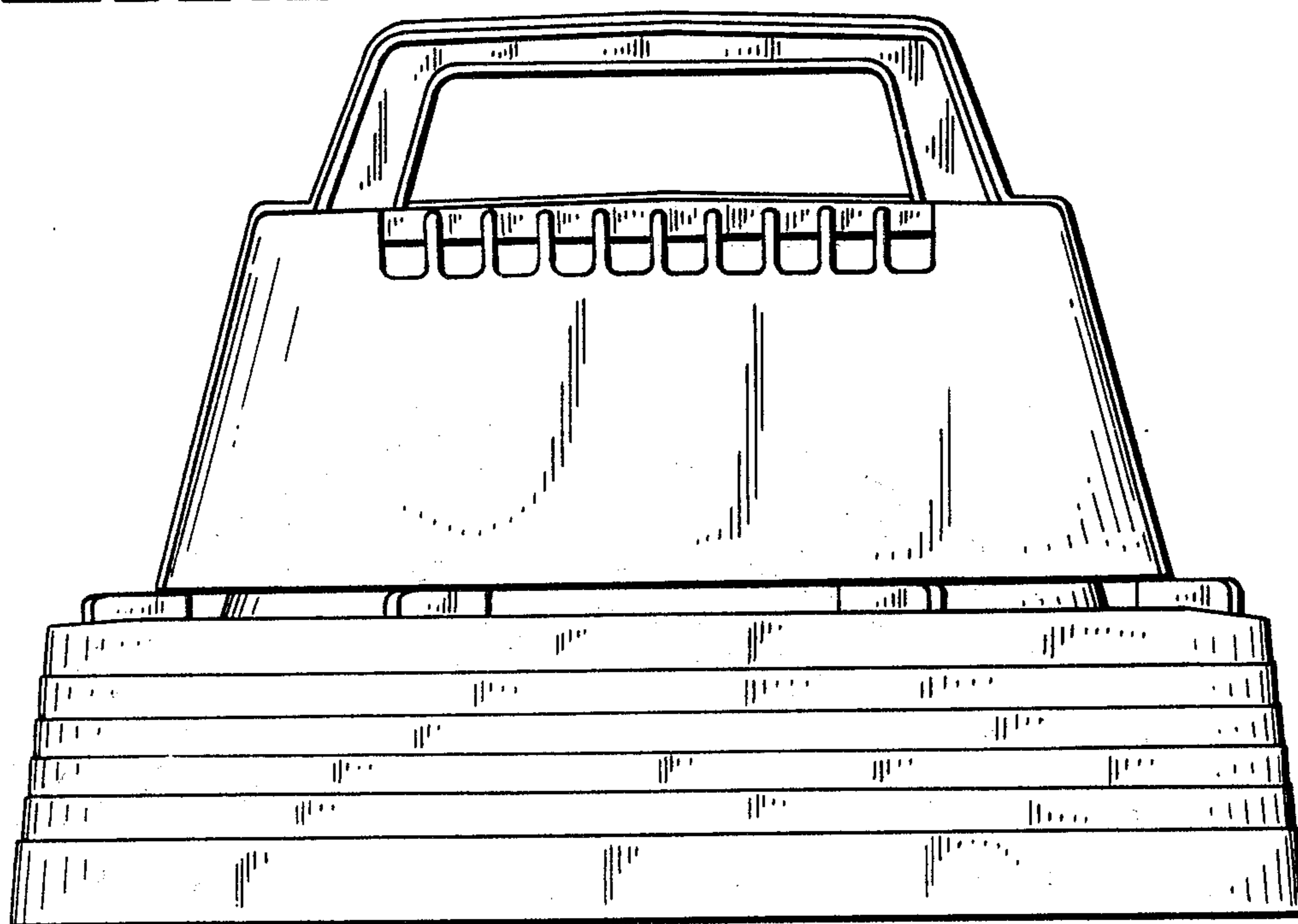


FIG. 4.

*FIG. 5.*

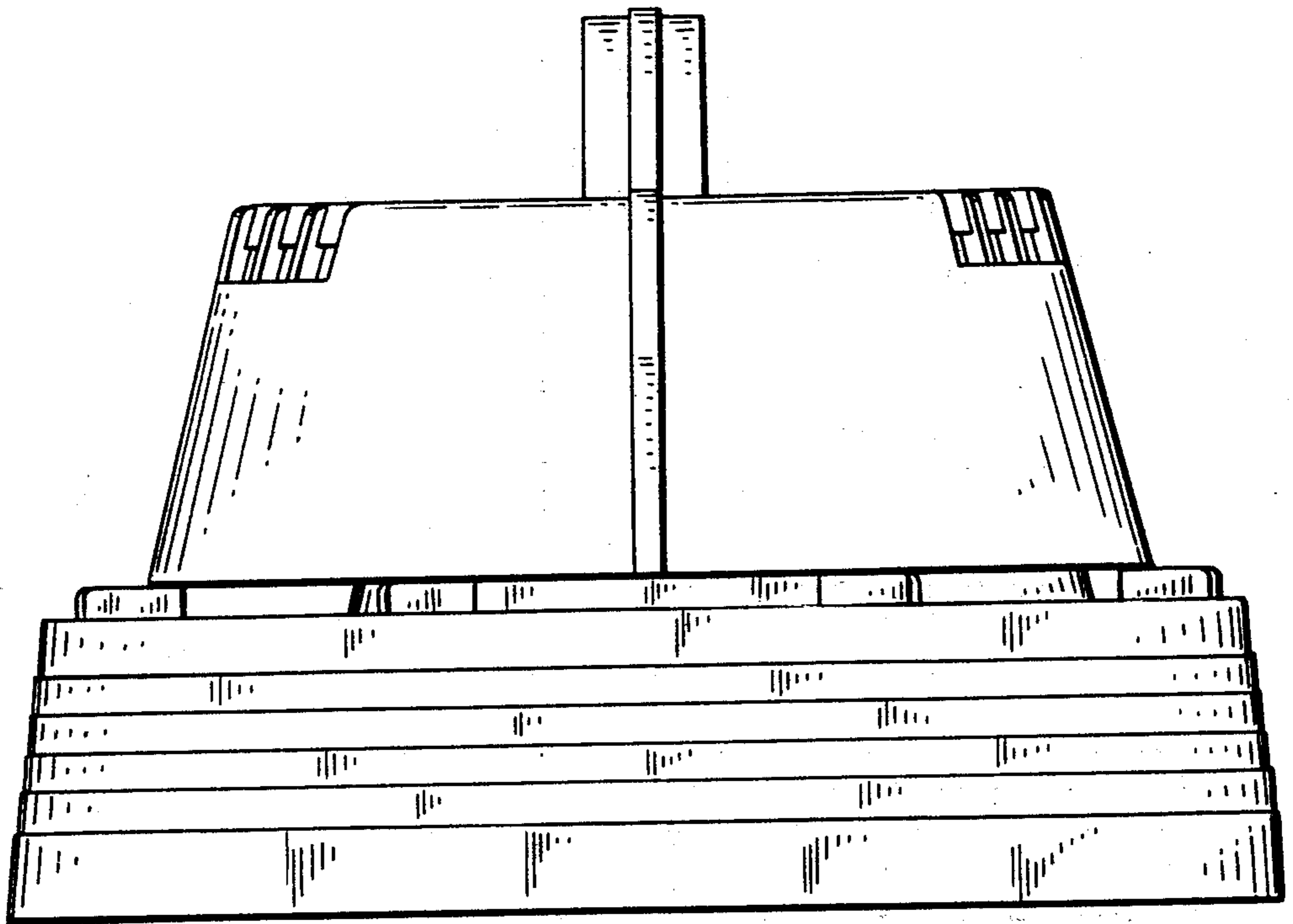


FIG. 6.

