

- [54] AUTOMATIC AQUARIUM FEEDER
- [75] Inventors: Jerome Goldman, New York; Marvin Goldman, Great Neck; Gerald Phillips, Glen Cove; Joseph Pesin, Brooklyn, all of N.Y.
- [73] Assignee: Penn Plax Plastics, Inc., Garden City, N.Y.
- [**] Term: 14 Years
- [21] Appl. No.: 685,139
- [22] Filed: Dec. 21, 1984
- [52] U.S. Cl. D30/12; D30/13
- [58] Field of Search D30/6-12; 119/1, 3, 51 R, 51.11, 51.13, 52 R, 52 AF, 53; D23/3, 4; 222/650
- [56]

References Cited

U.S. PATENT DOCUMENTS

2,984,208 5/1961 Kopietz 119/5

- 3,050,029 8/1962 Appleton 119/5
- 3,156,214 11/1964 Denney et al. 119/51 R
- 4,027,627 6/1977 Fillion 119/51.11

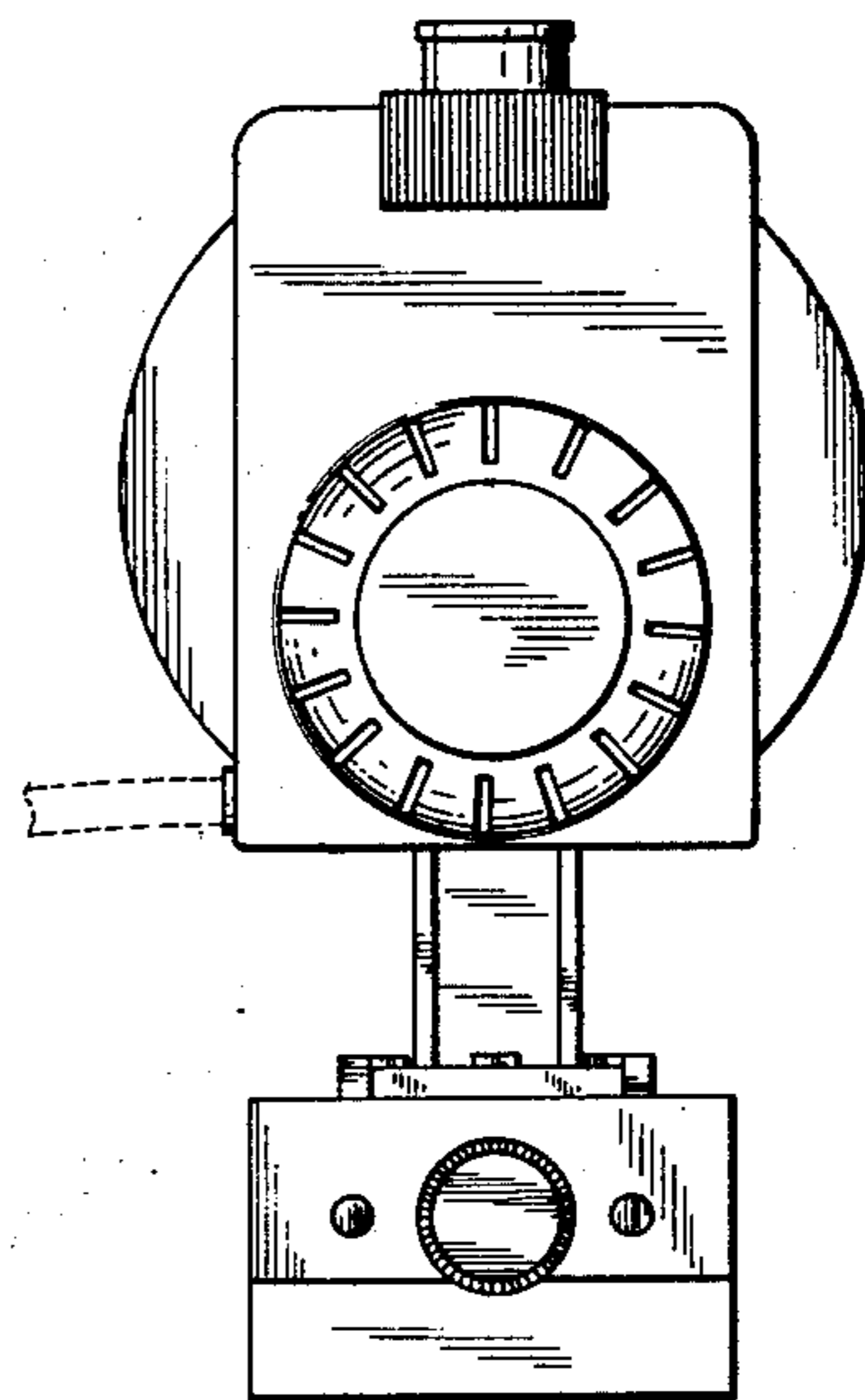
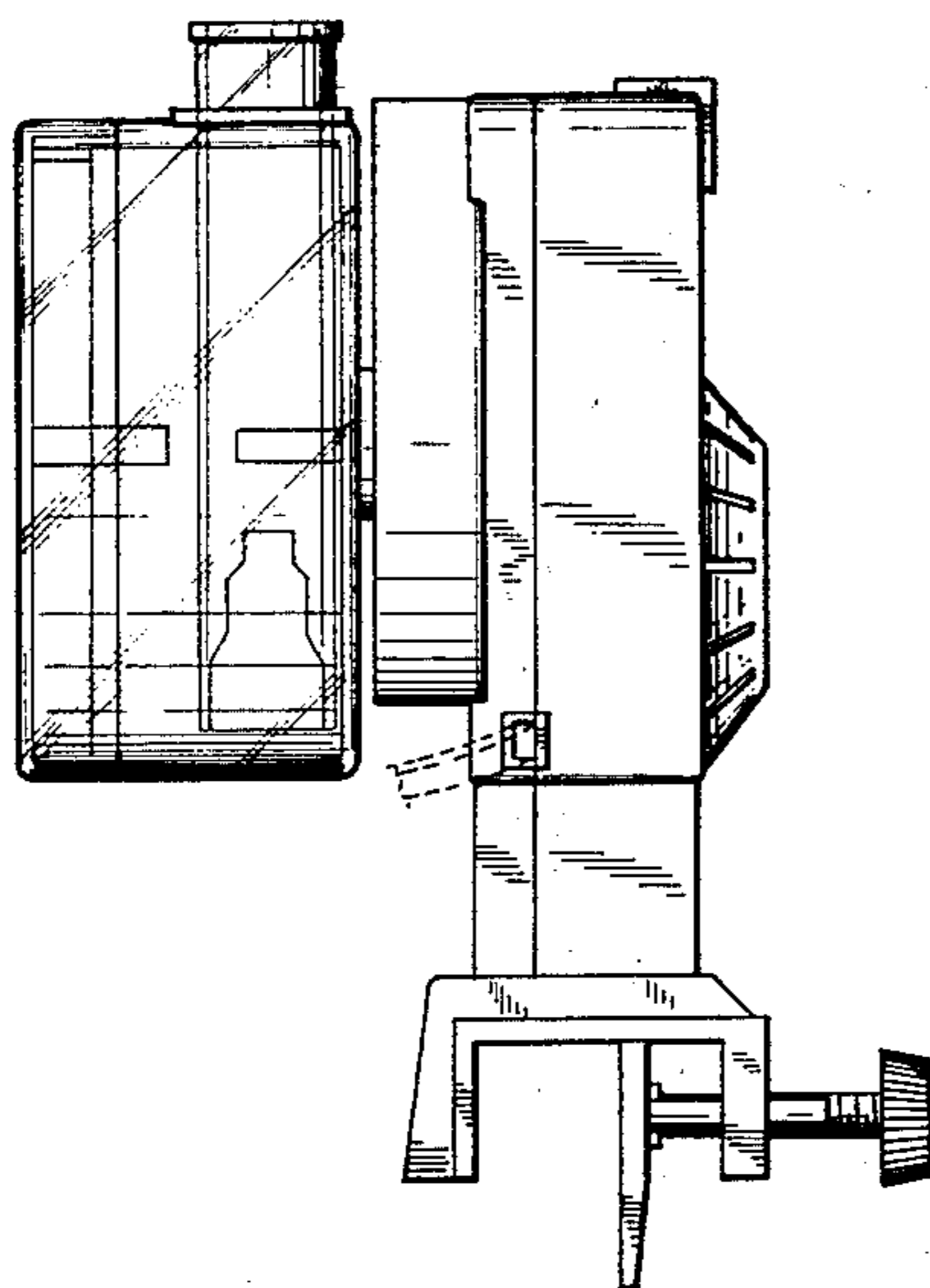
Primary Examiner—Wallace R. Burke
 Assistant Examiner—Brian N. Vinson
 Attorney, Agent, or Firm—R. Scott Goldman

[57] CLAIM

The ornamental design for an automatic aquarium feeder, as shown and described.

DESCRIPTION

FIG. 1 is a top plan view of an automatic aquarium feeder showing our new design;
 FIG. 2 is a bottom plan view thereof;
 FIG. 3 is a front elevational view thereof;
 FIG. 4 is a right side elevational view thereof, the left side being substantially similar in appearance; and
 FIG. 5 is a rear elevational view thereof.
 The broken-line showing of a portion of a power cord is for illustrative purposes only and forms no part of the claimed design.



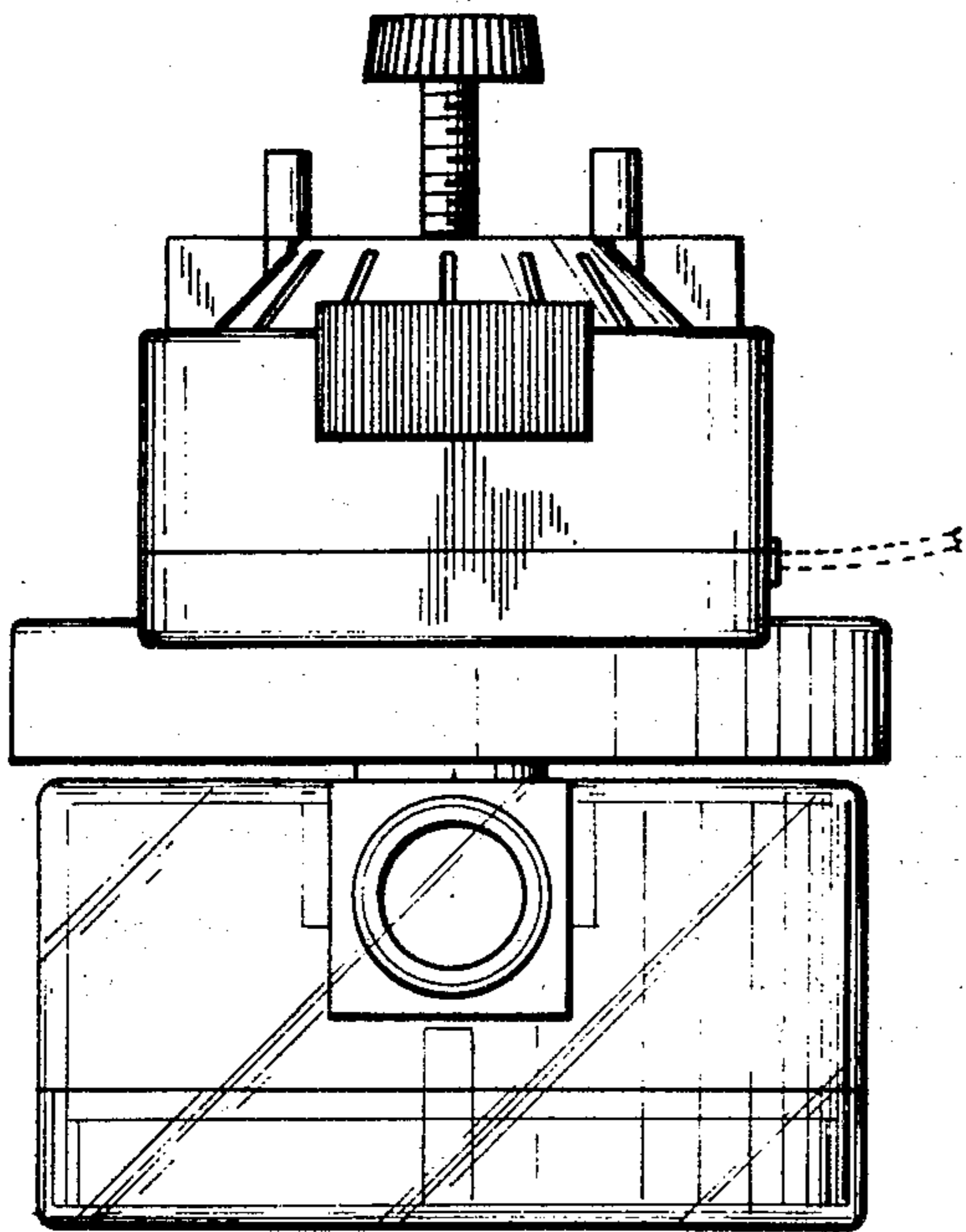


FIG. 1

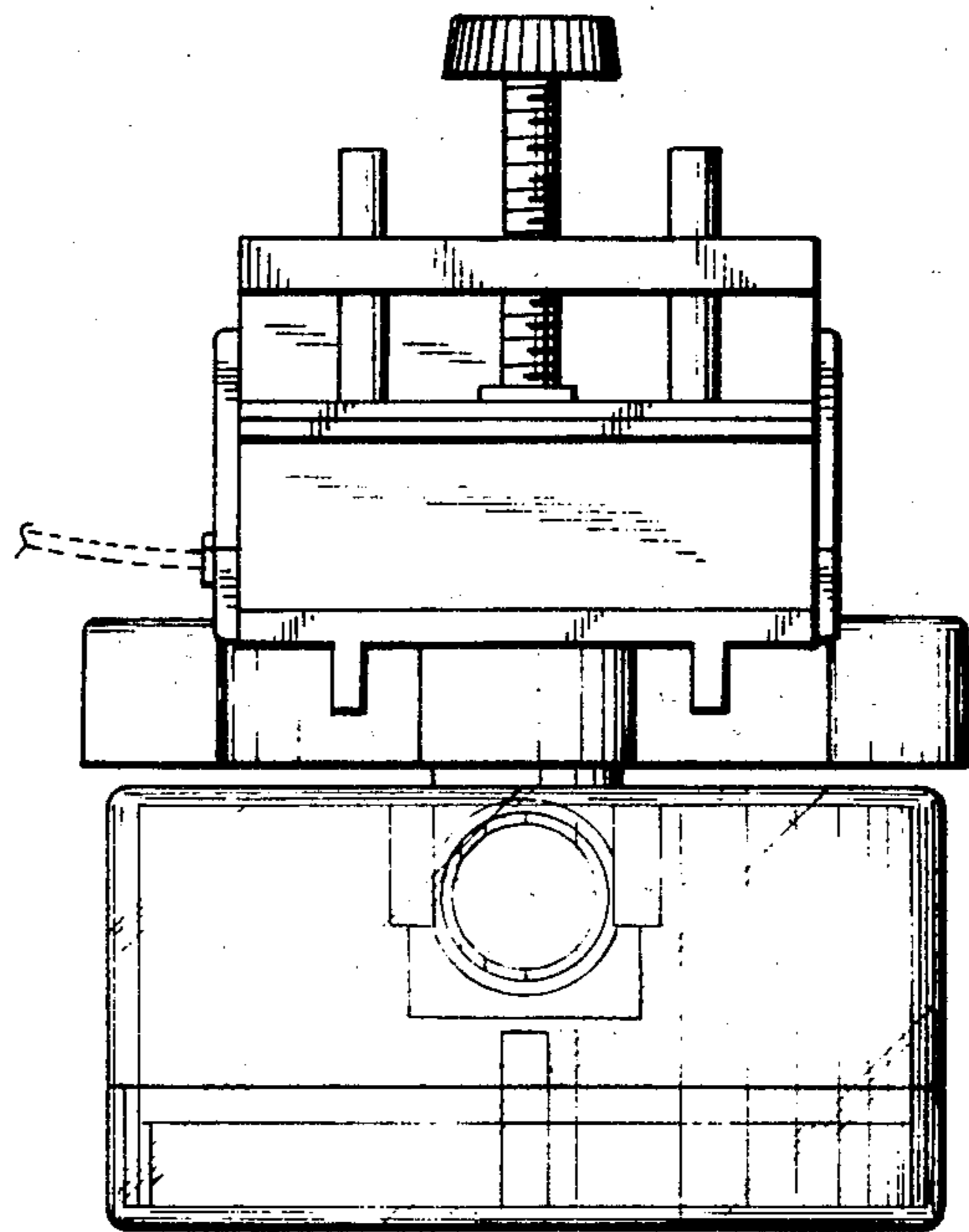


FIG. 2

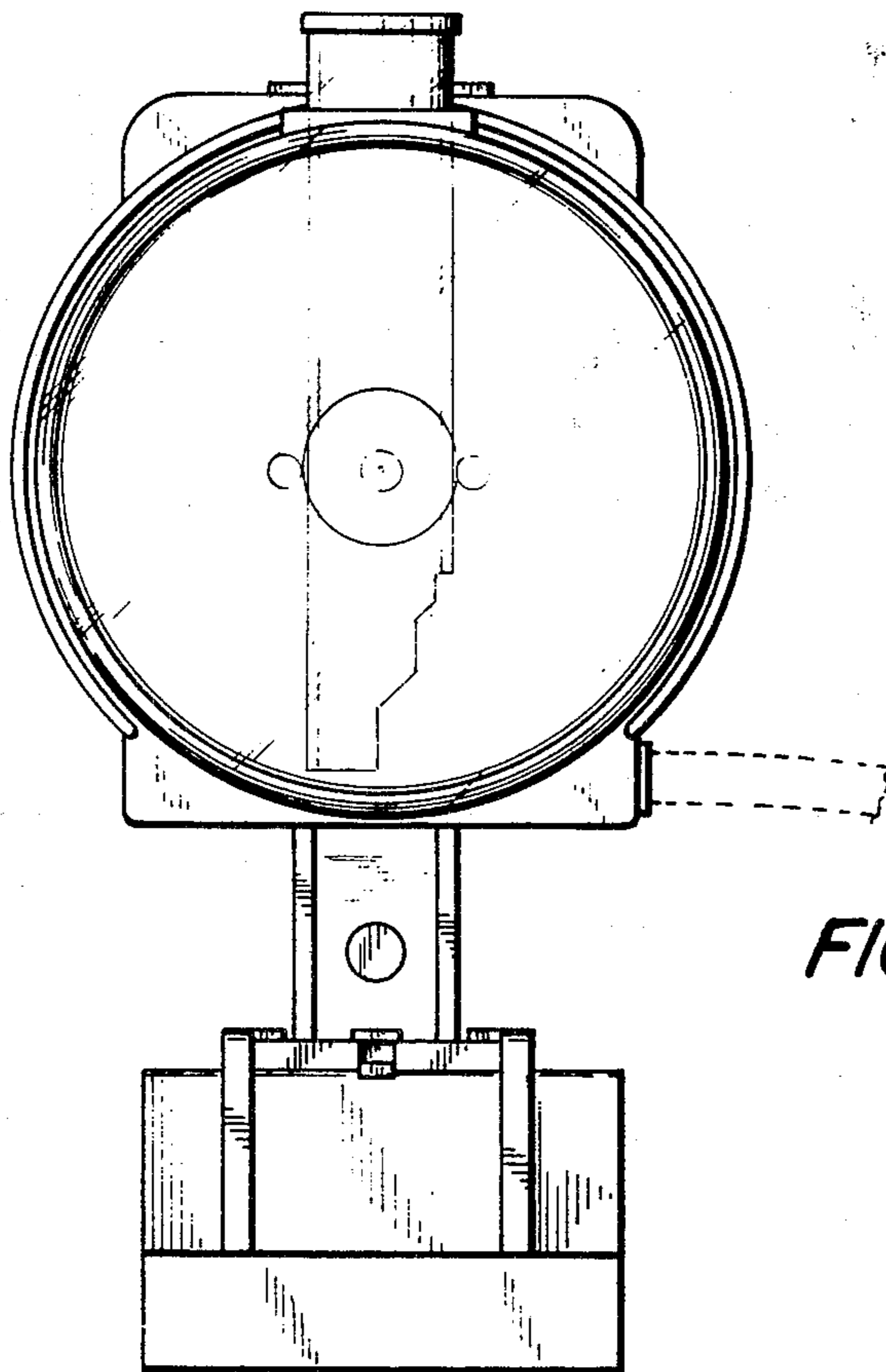


FIG. 3

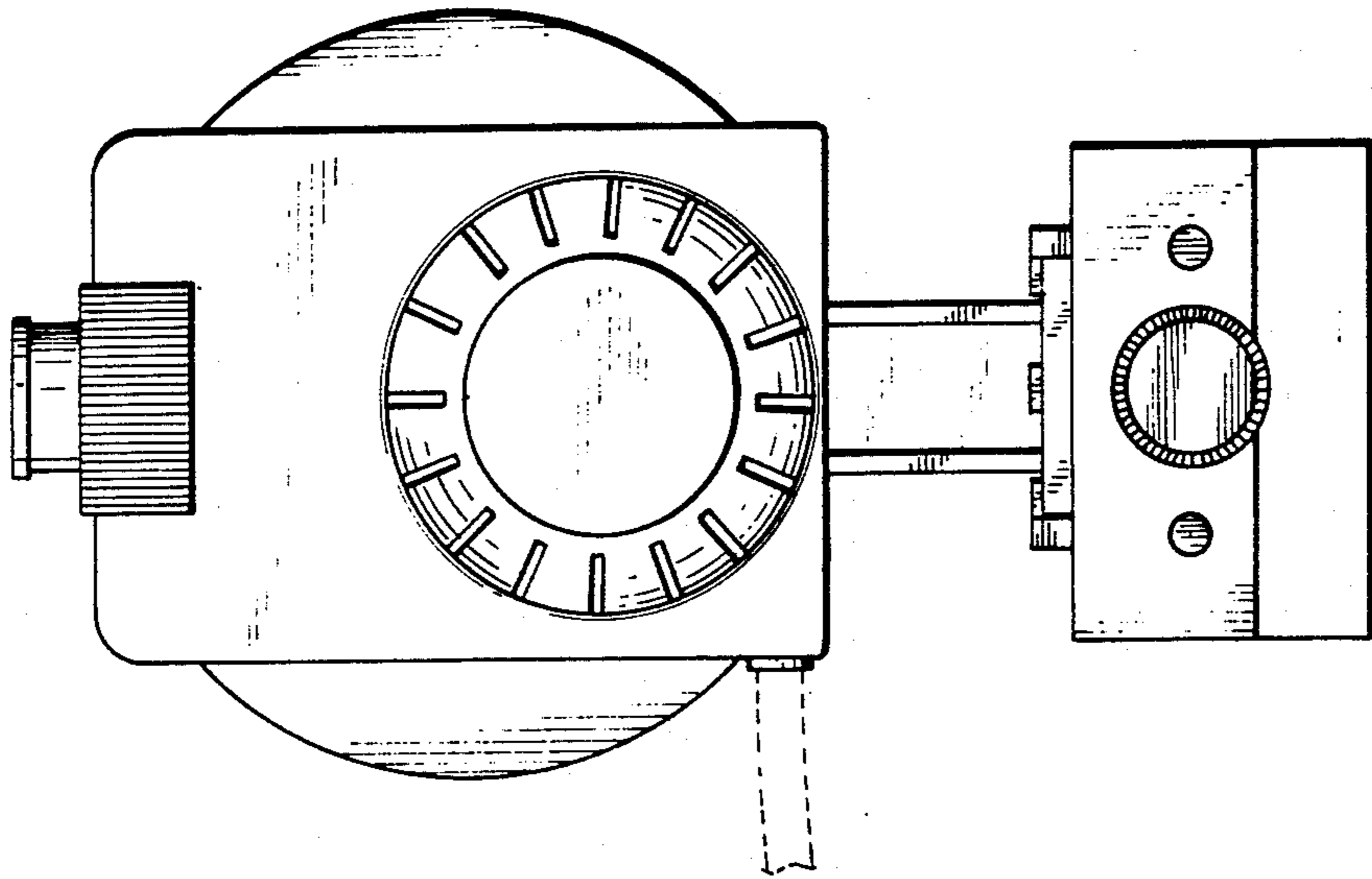


FIG. 5

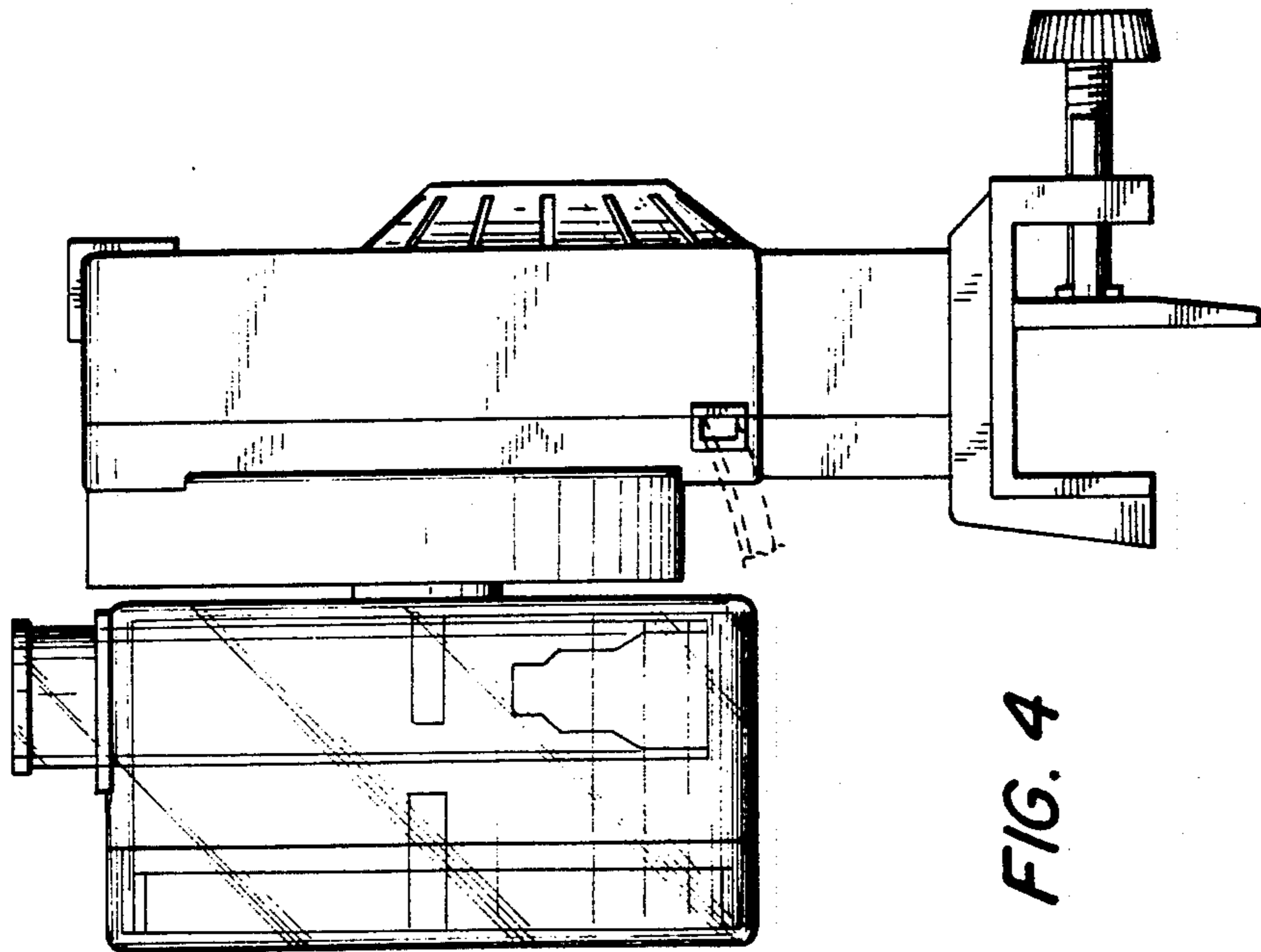


FIG. 4