

[54] VALVE FOR EQUALIZING PRESSURE RESULTING FROM EXPLOSIONS OR BLASTS

[75] Inventor: Matti Purhonen, Helsinki, Finland

[73] Assignee: Temet Oy, Helsinki, Finland

[\*\*] Term: 14 Years

[21] Appl. No.: 455,997

[22] Filed: Jan. 6, 1983

[30] Foreign Application Priority Data

Jul. 6, 1982 [FI] Finland ..... 589/82

[52] U.S. Cl. .... D23/21

[58] Field of Search ..... D13/32, 1, 3, 4, 11-12; D23/19, 21; 137/78.1, 78.5, 81.1, 533.1, 512, 629; 98/106, 1.5; 138/26

[56] References Cited

U.S. PATENT DOCUMENTS

4,003,398 1/1977 Duveau ..... 137/512

4,432,514 2/1984 Brandon ..... 98/1.5

FOREIGN PATENT DOCUMENTS

1092625 11/1960 Fed. Rep. of Germany .... 137/78.5

Primary Examiner—Wallace R. Burke  
Assistant Examiner—Ruth E. Takemoto  
Attorney, Agent, or Firm—Cushman, Darby & Cushman

[57] CLAIM

The ornamental design for a valve for equalizing pressure resulting from explosions or blasts, as shown and described.

DESCRIPTION

FIG. 1 is a front perspective view of a valve for equalizing pressure resulting from explosions or blasts showing my new design;

FIG. 2 is a rear perspective view thereof;

FIG. 3 is a front elevational view thereof;

FIG. 4 is a rear elevational view thereof;

FIG. 5 is a top plan view thereof;

FIG. 6 is a side elevational view, the opposite side being a mirror image thereof;

FIG. 7 is a front perspective view of a second embodiment thereof as shown in FIG. 1;

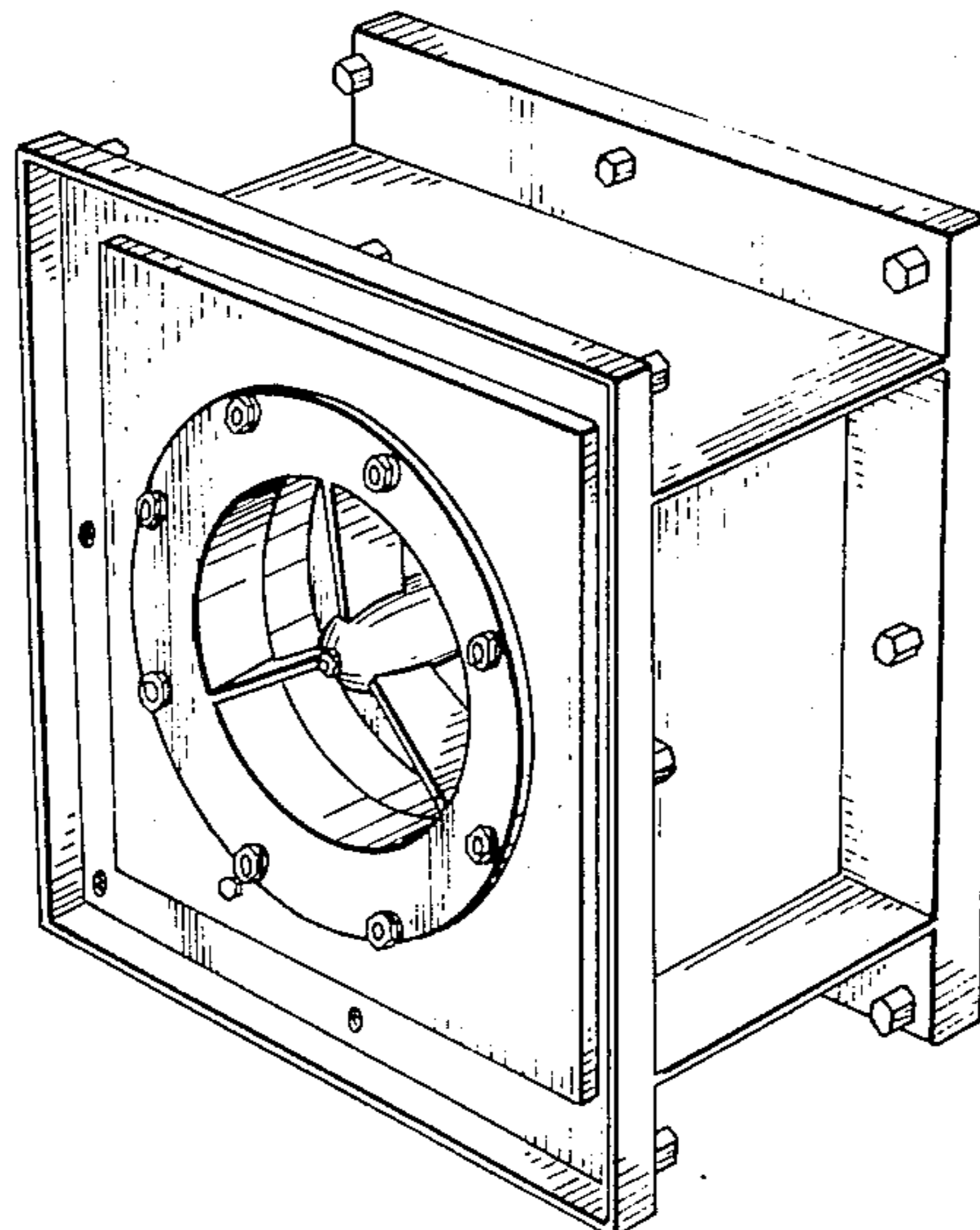
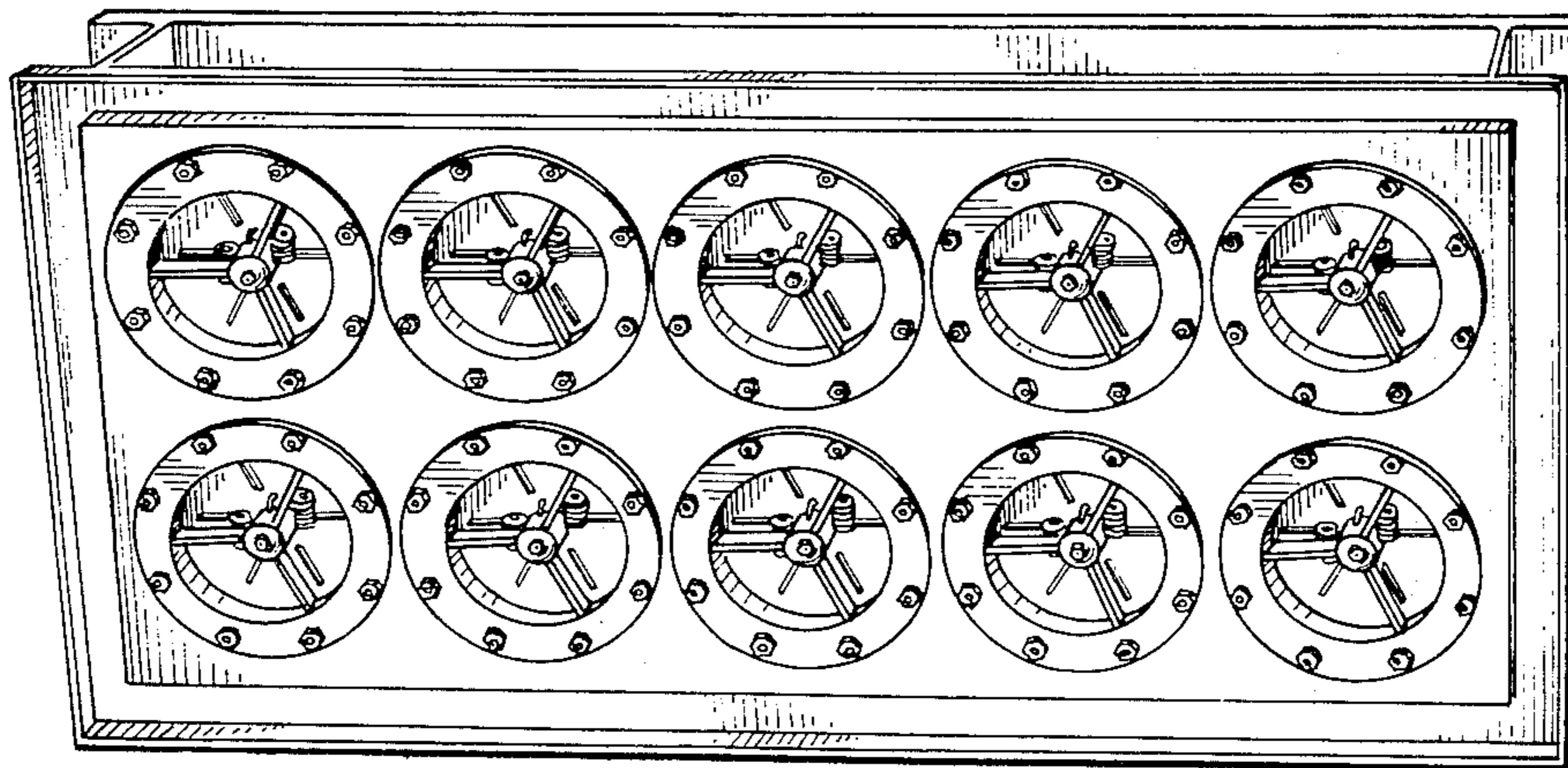
FIG. 8 is a rear perspective view thereof;

FIG. 9 is a front elevational view thereof;

FIG. 10 is a right side elevational view thereof;

FIG. 11 is a rear elevational view thereof; and

FIG. 12 is a left side elevational view thereof.



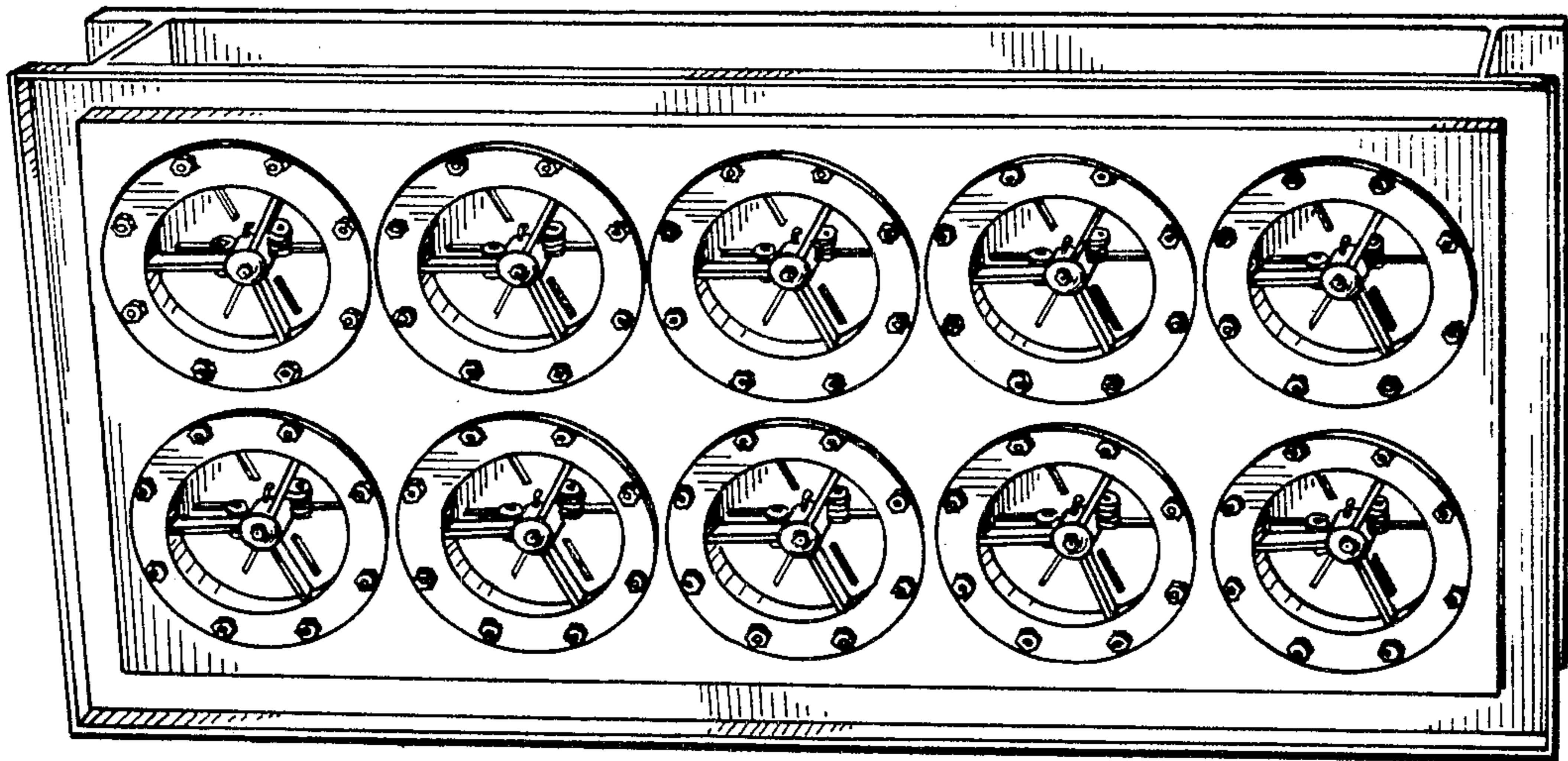


FIG. 1

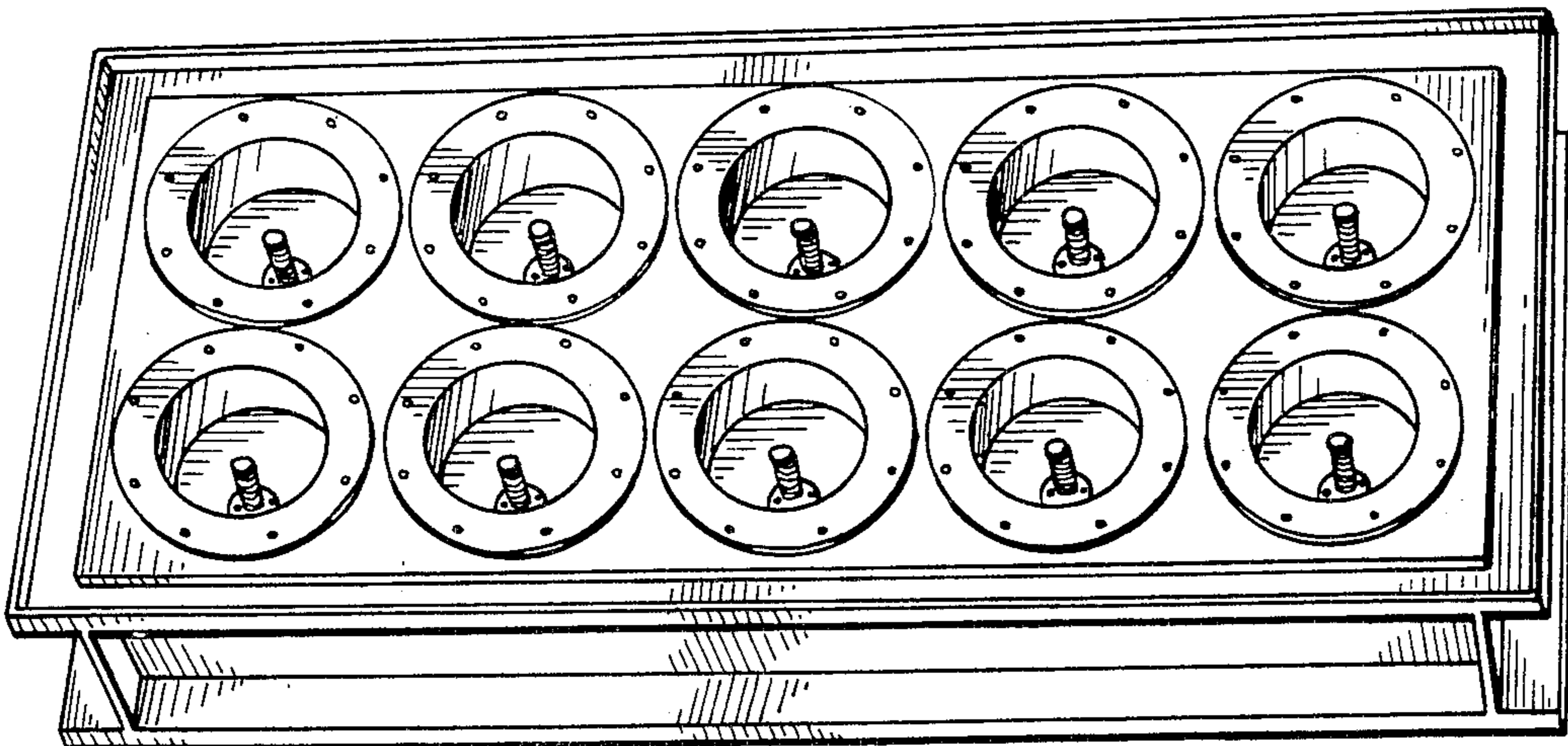


FIG. 2

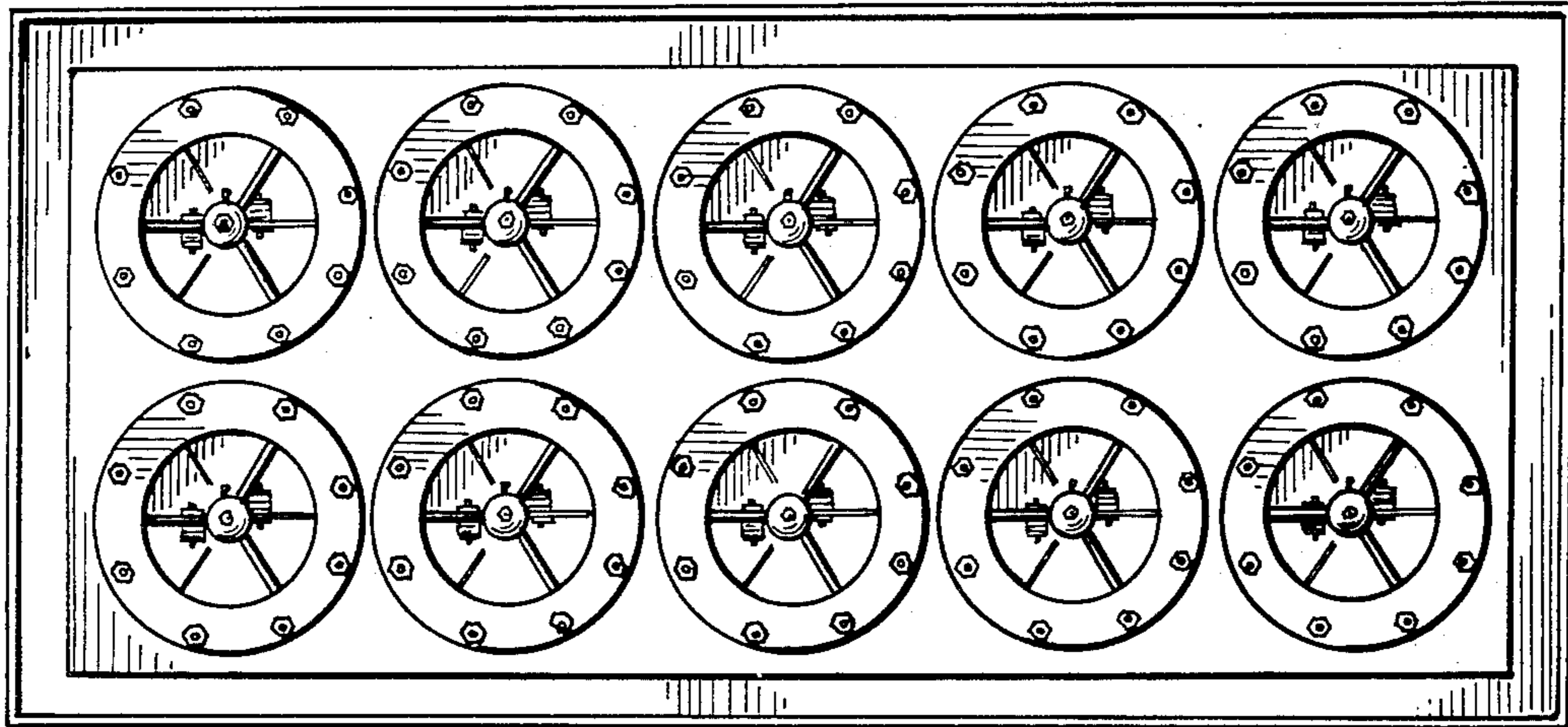


FIG. 3

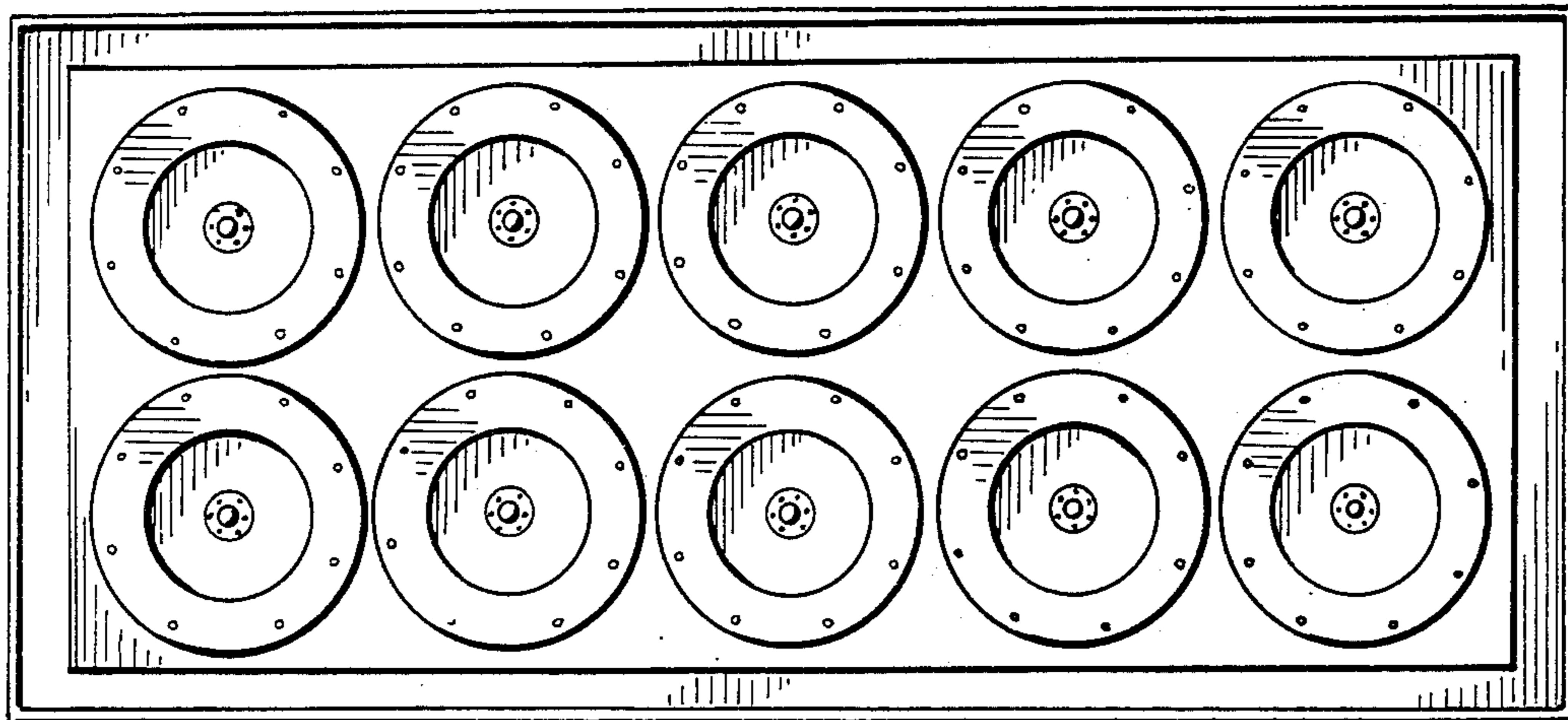


FIG. 4

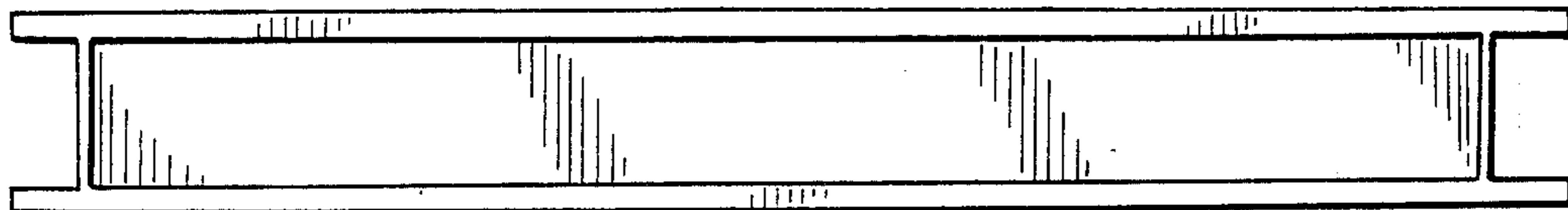
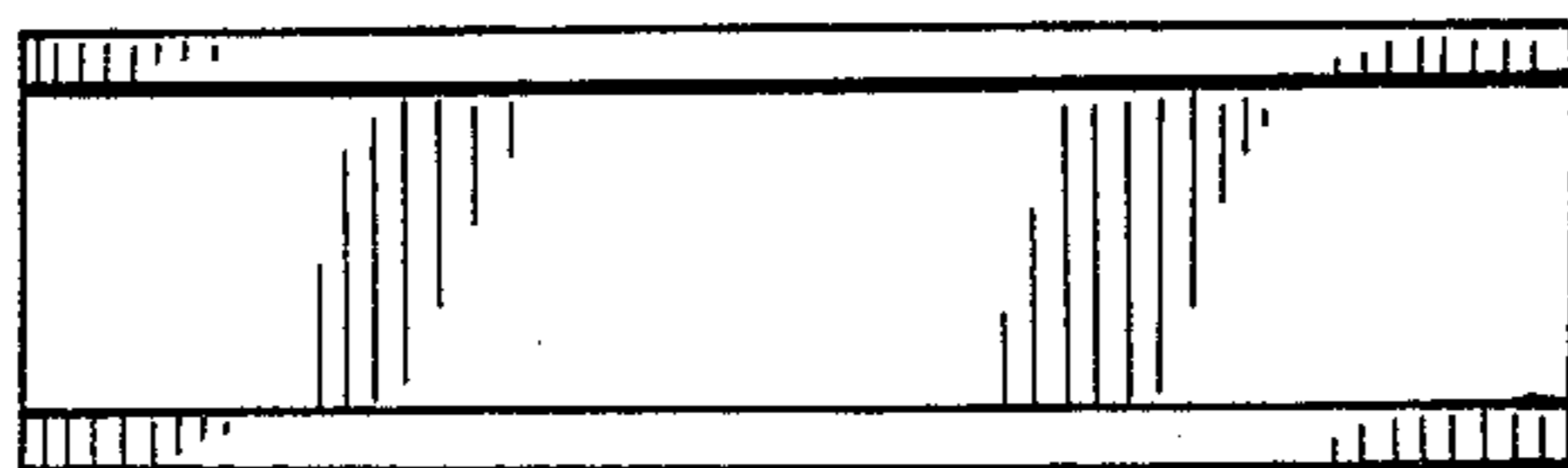


FIG. 5

FIG. 6



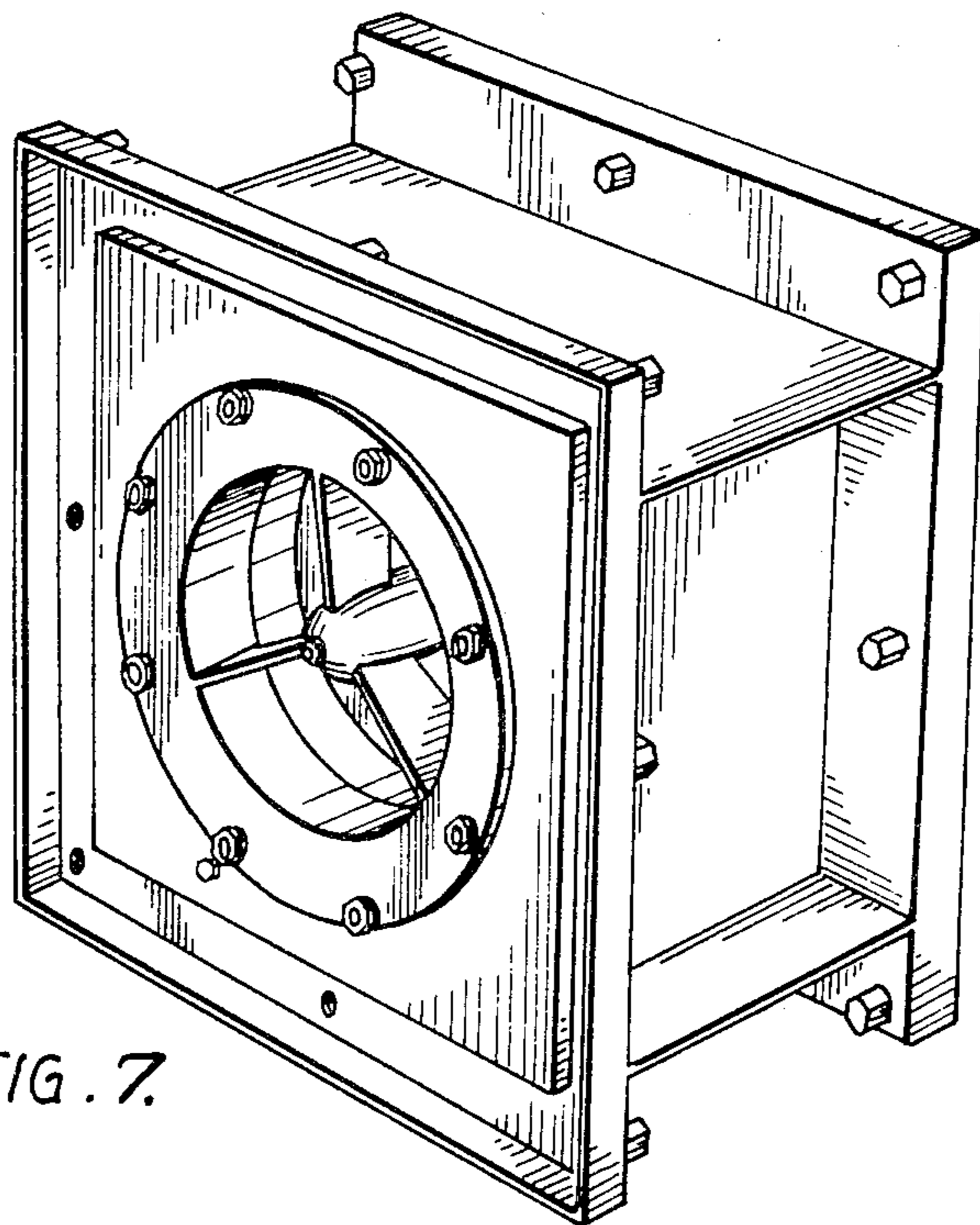


FIG. 7.

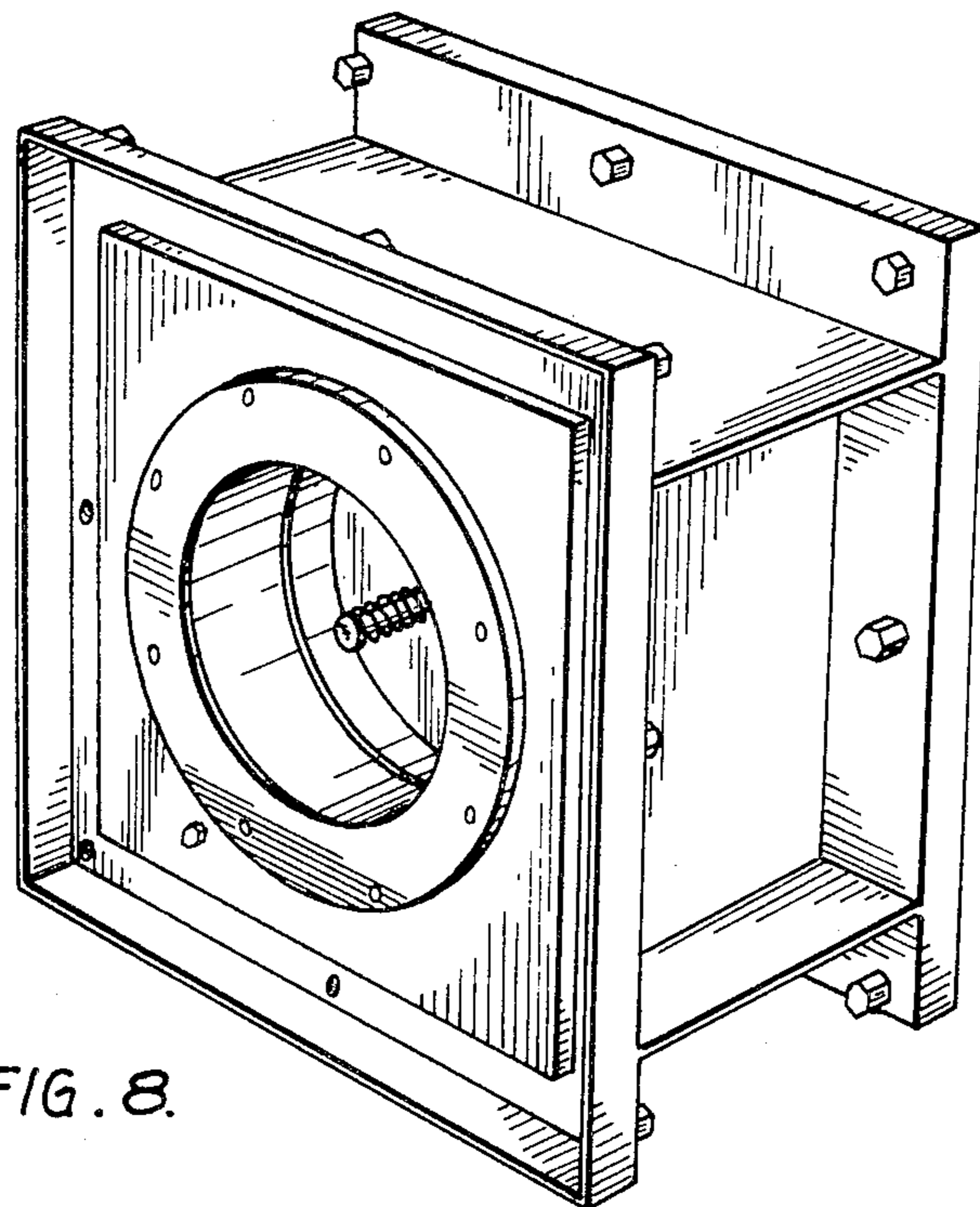


FIG. 8.

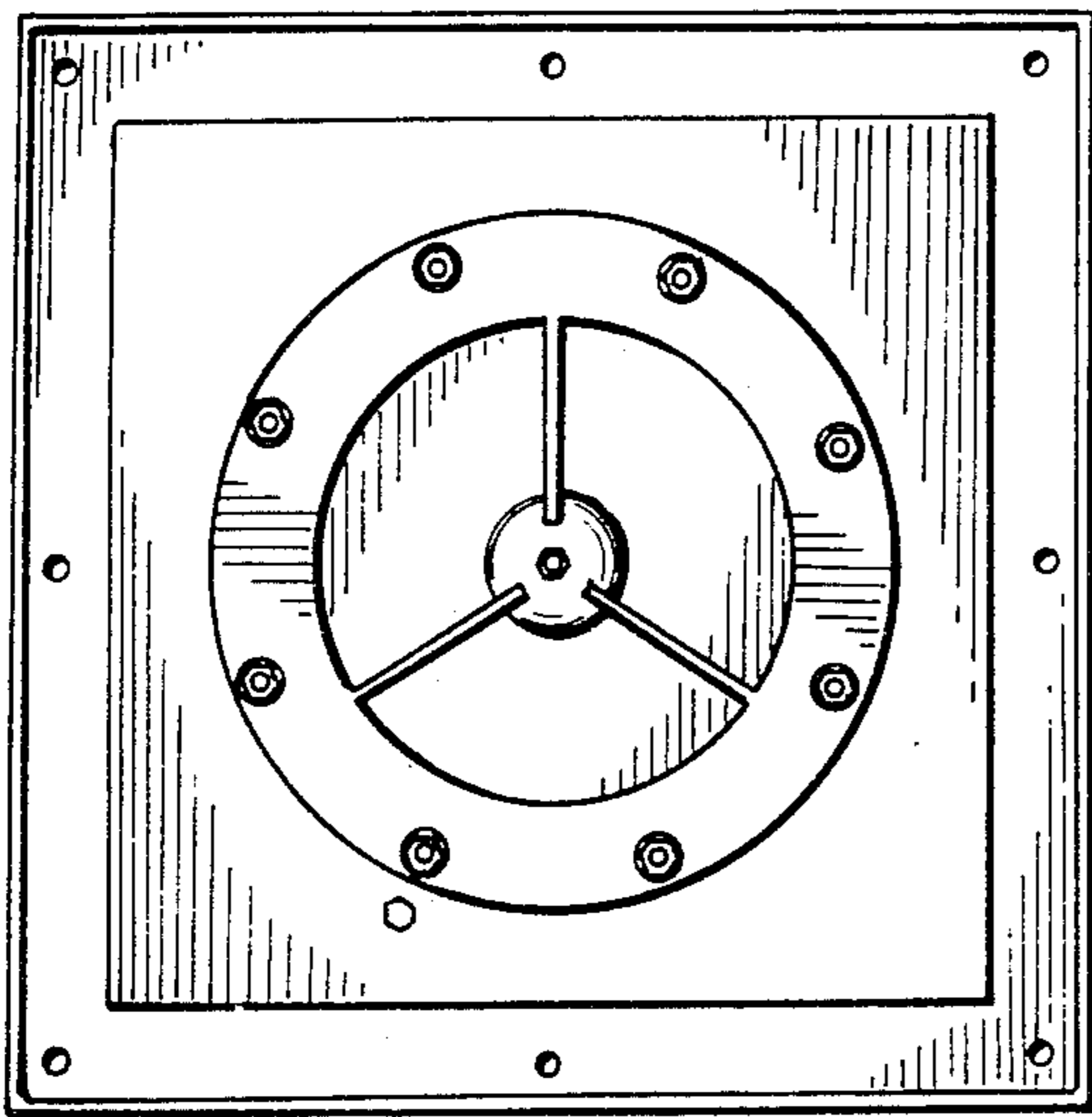


FIG. 9.

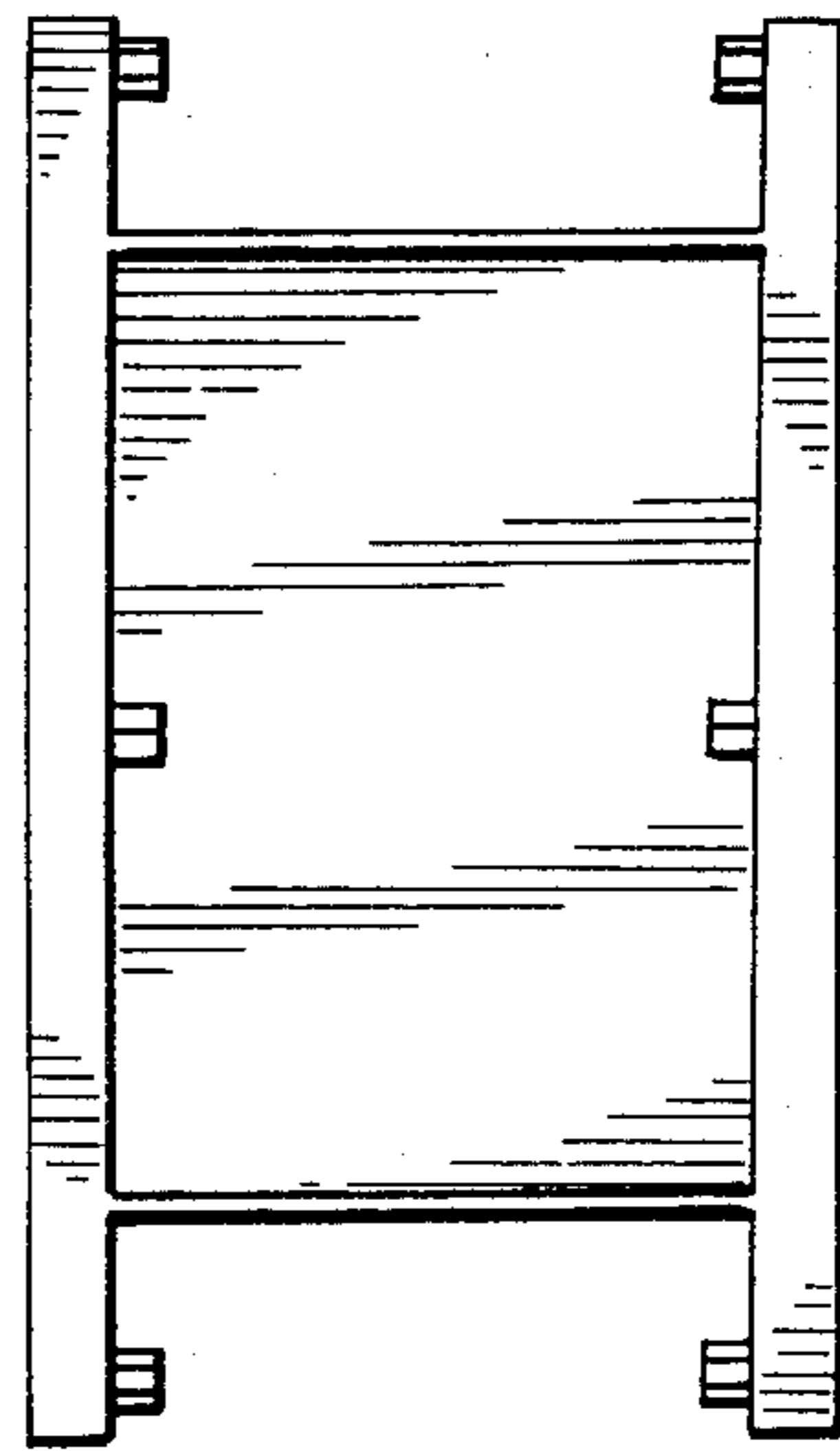


FIG. 10.

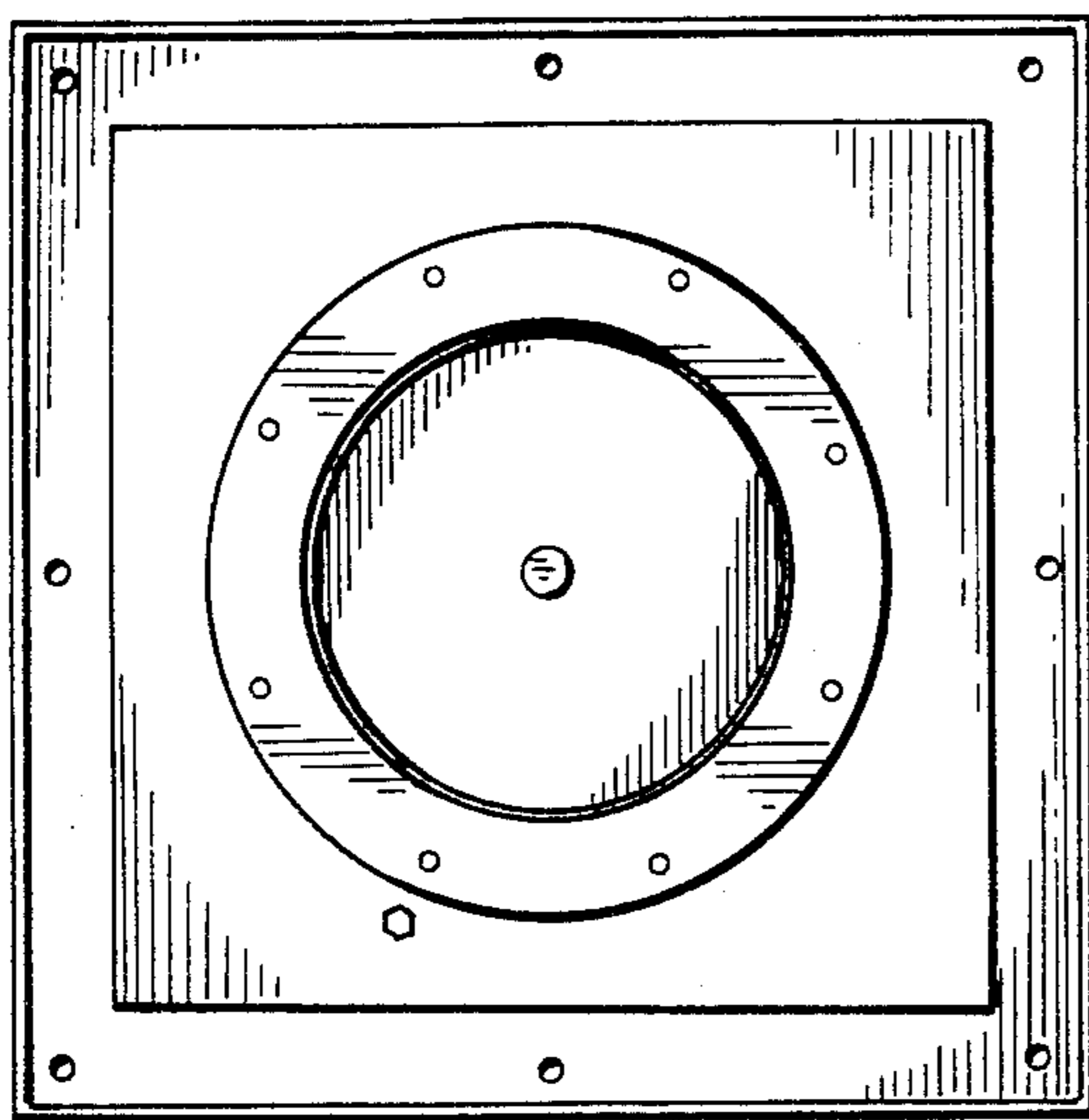


FIG. 11.

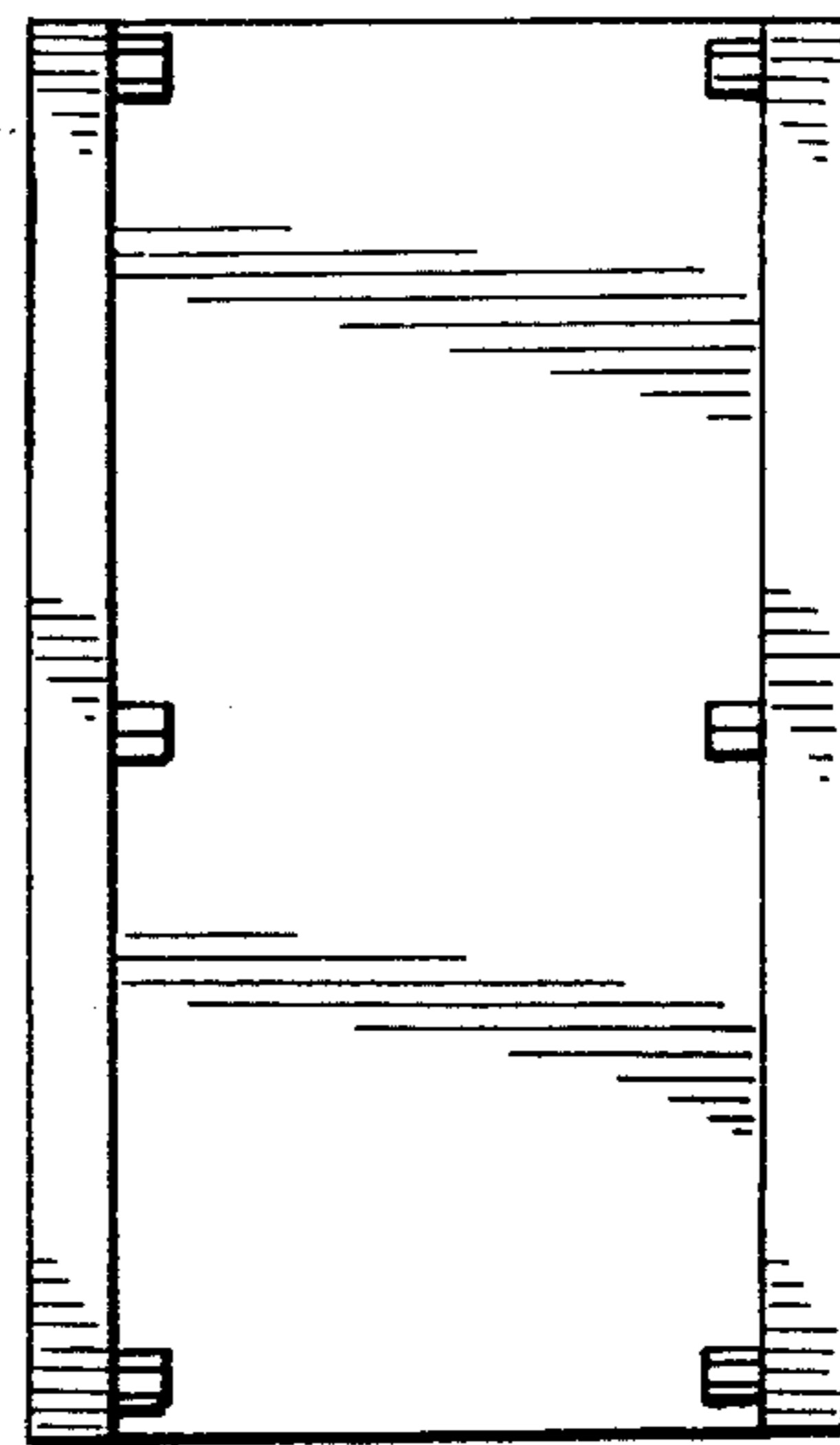


FIG. 12.