

[54] RECONFIGURABLE INSECT TOY

[75] Inventor: Takashi Matsuda, Tokyo, Japan

[73] Assignee: Takara Co., Ltd., Tokyo, Japan

[**] Term: 14 Years

[21] Appl. No.: 643,264

[22] Filed: Aug. 21, 1984

[52] U.S. Cl. D21/185; D21/148; D21/150

[58] Field of Search D21/185, 148, 150; 446/97, 99, 321, 376, 487

[56] References Cited

U.S. PATENT DOCUMENTS

D. 268,656	4/1983	Kodaka	D21/185
D. 278,733	5/1985	Ohkado	D21/150
4,391,060	7/1983	Nakane	446/97

Primary Examiner—Melvin B. Feifer
Attorney, Agent, or Firm—Price, Gess & Ubell

[57] CLAIM

The ornamental design for a reconfigurable insect toy, substantially as shown and described.

DESCRIPTION

FIG. 1 is a front side perspective view of a reconfigurable insect toy showing my new design in a beetle configuration;

FIG. 2 is a front elevational view;

FIG. 3 is a rear elevational view;

FIG. 4 is a top plan view;

FIG. 5 is a bottom plan view;

FIG. 6 is a right elevational side view which is a mirror image of the left elevational side view;

FIG. 7 is a front side perspective view of the invention reconfigured in the form of a humanoid robot;

FIG. 8 is a front elevational view of the embodiment of FIG. 7;

FIG. 9 is a rear elevational view of the embodiment of FIG. 7;

FIG. 10 is a top plan view of the embodiment of FIG. 7;

FIG. 11 is a bottom plan view of the embodiment of FIG. 7; and

FIG. 12 is a right elevational side view which is a mirror image of the left elevational side view of the embodiment of the FIG. 7.

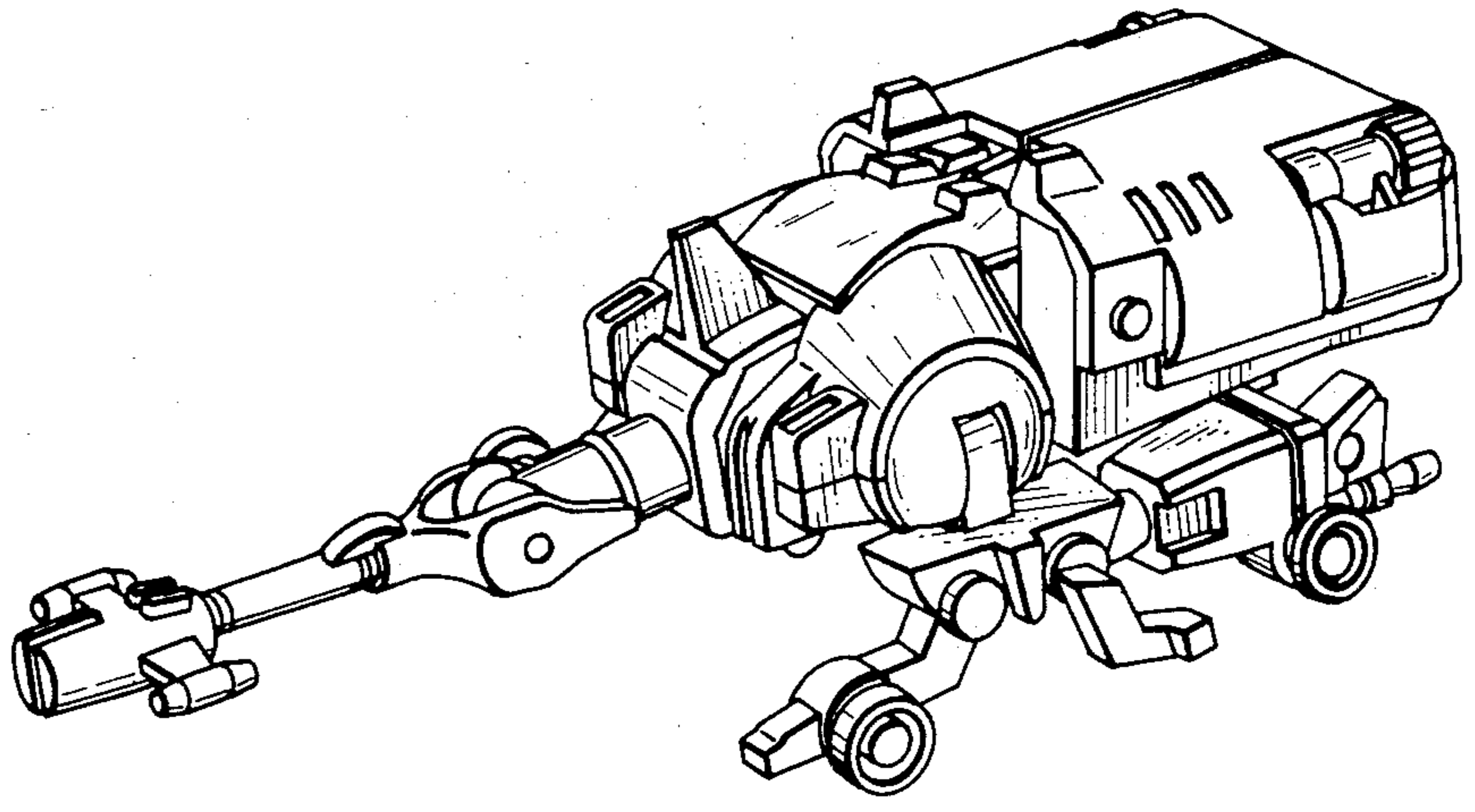
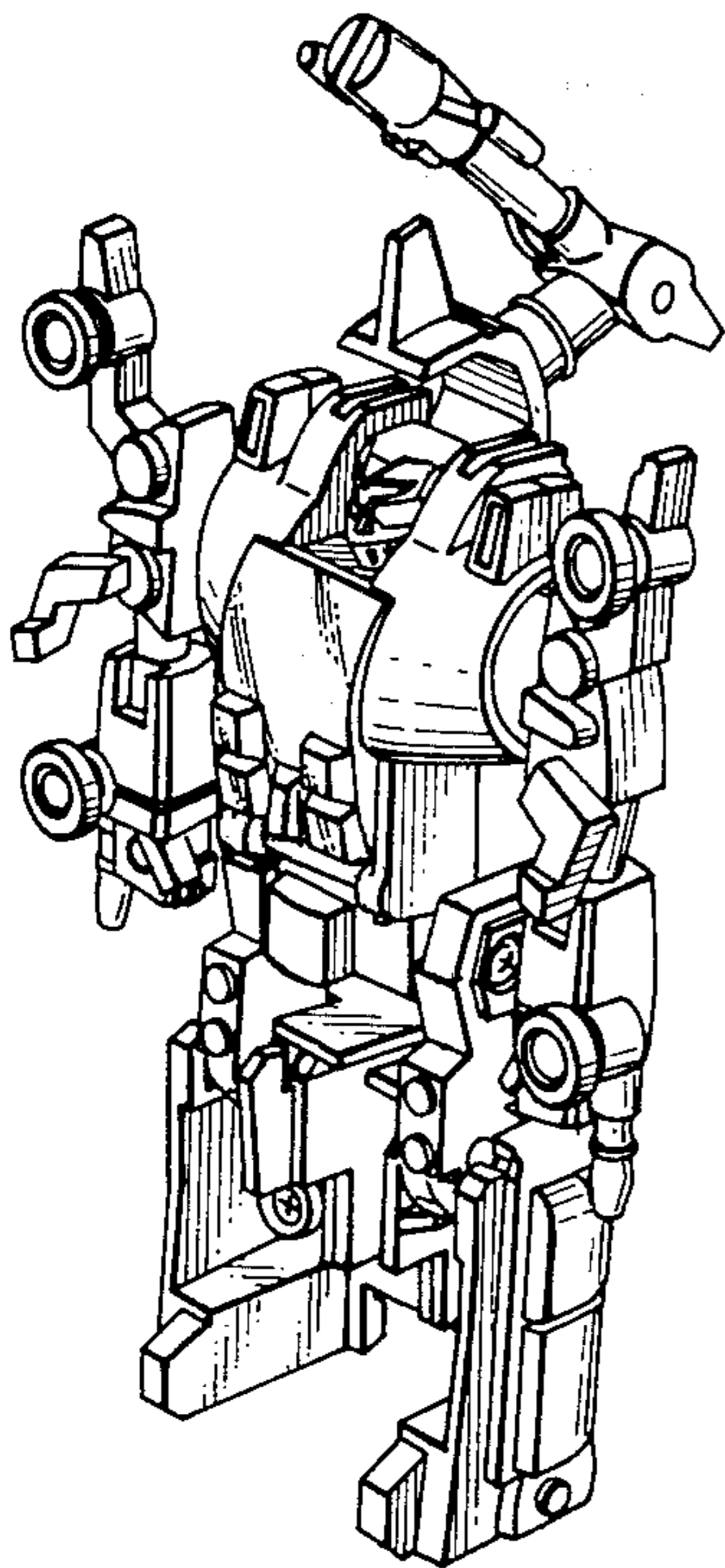


FIG. 1

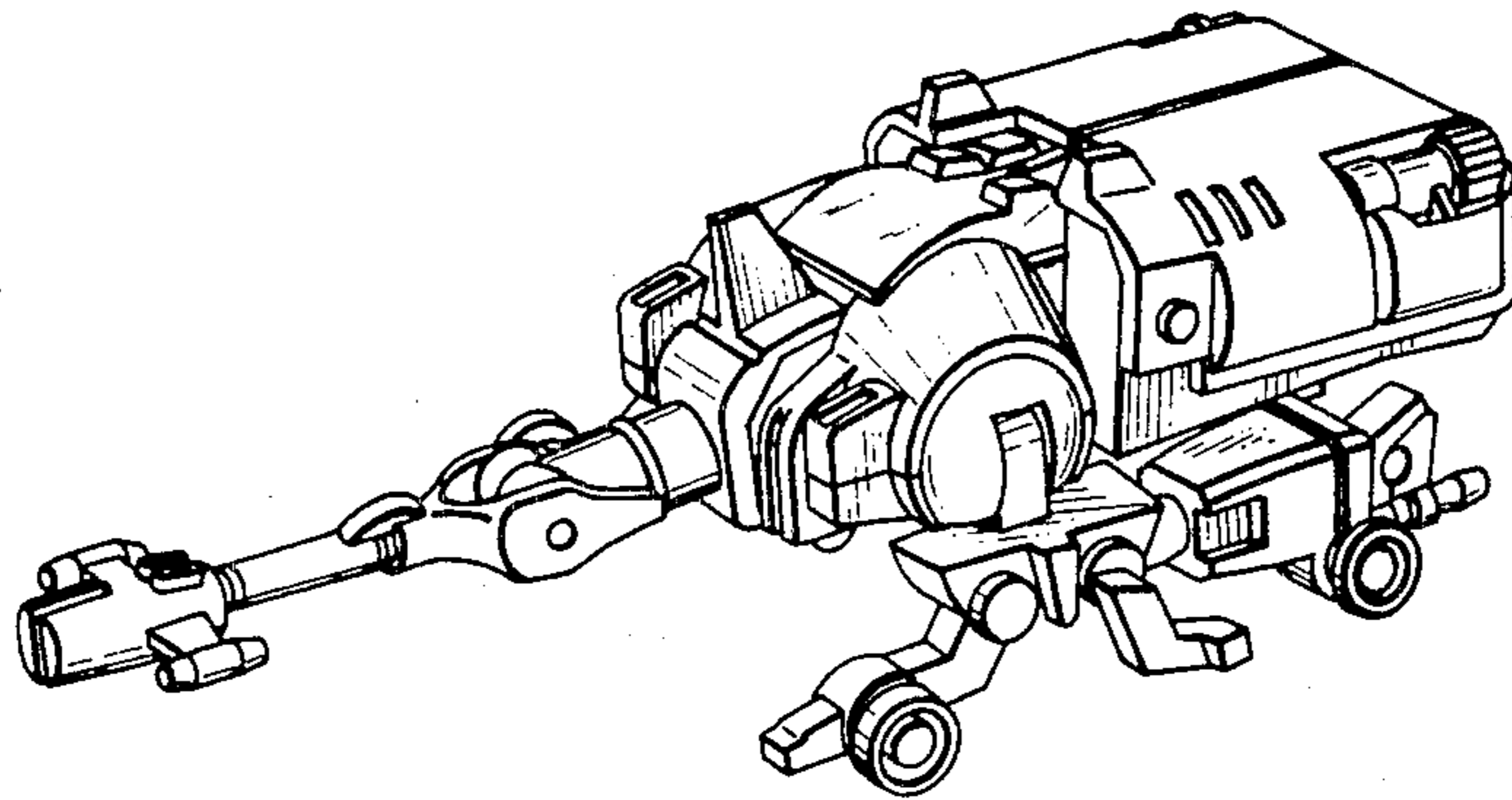


FIG. 2

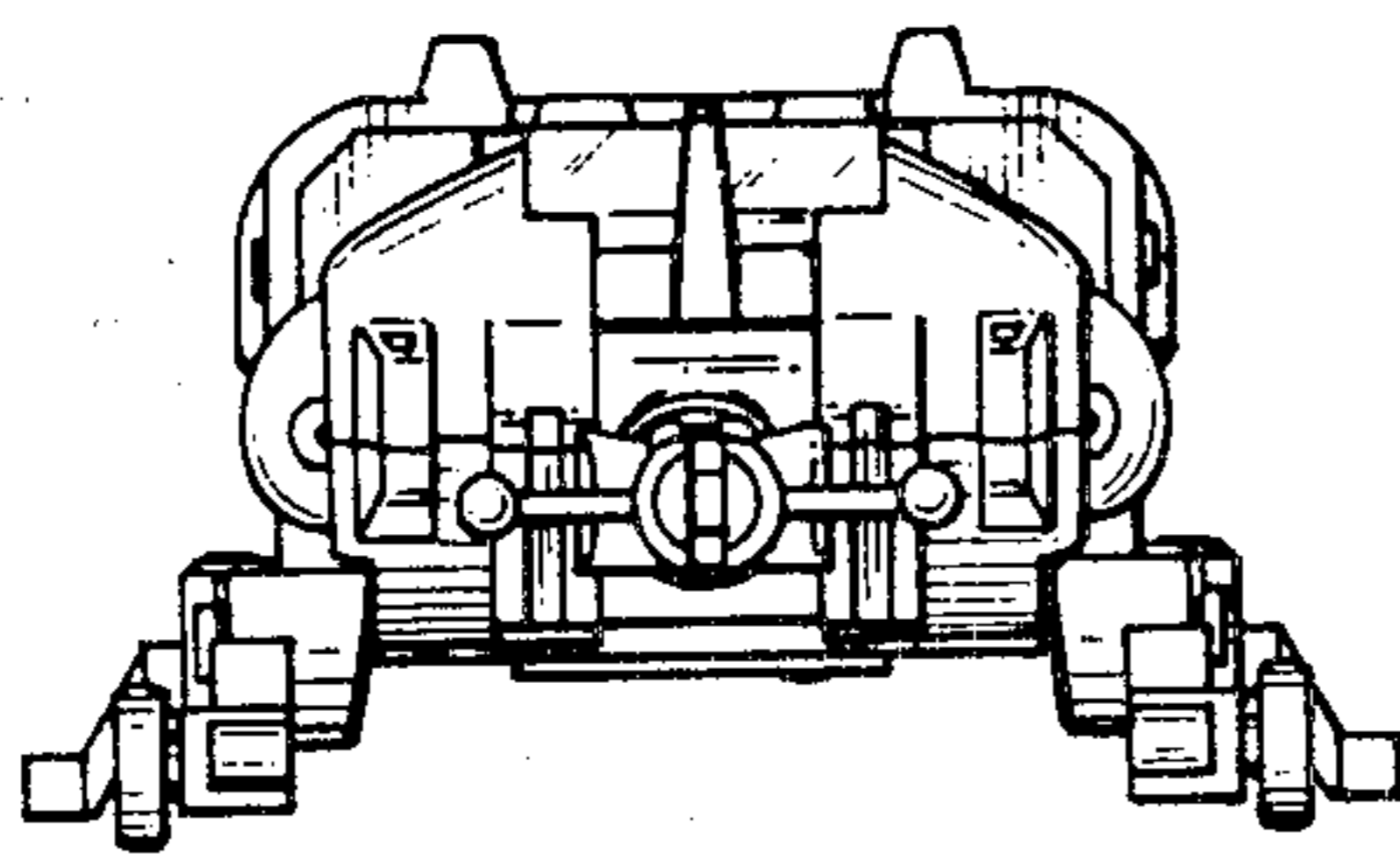


FIG. 3

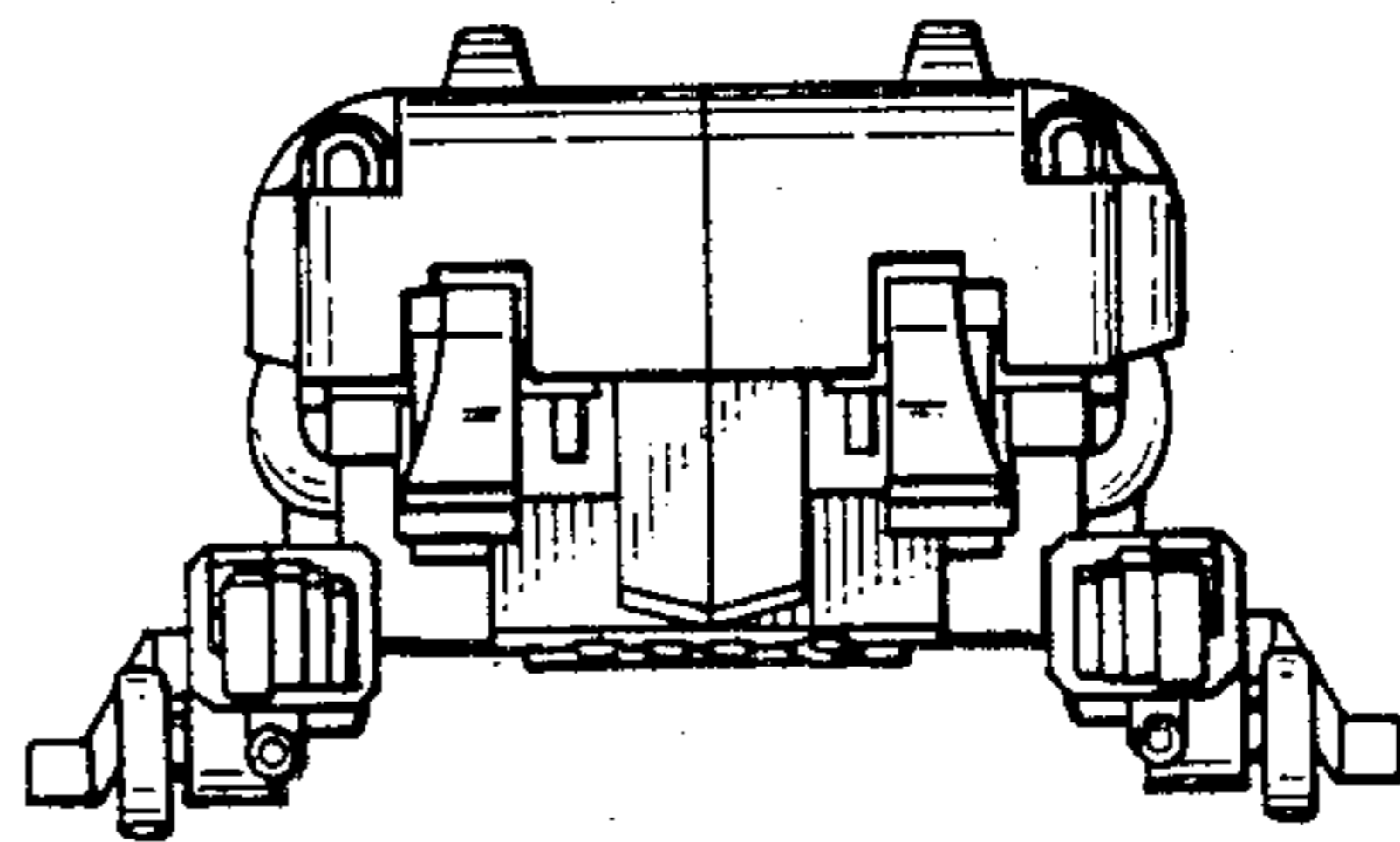


FIG. 4

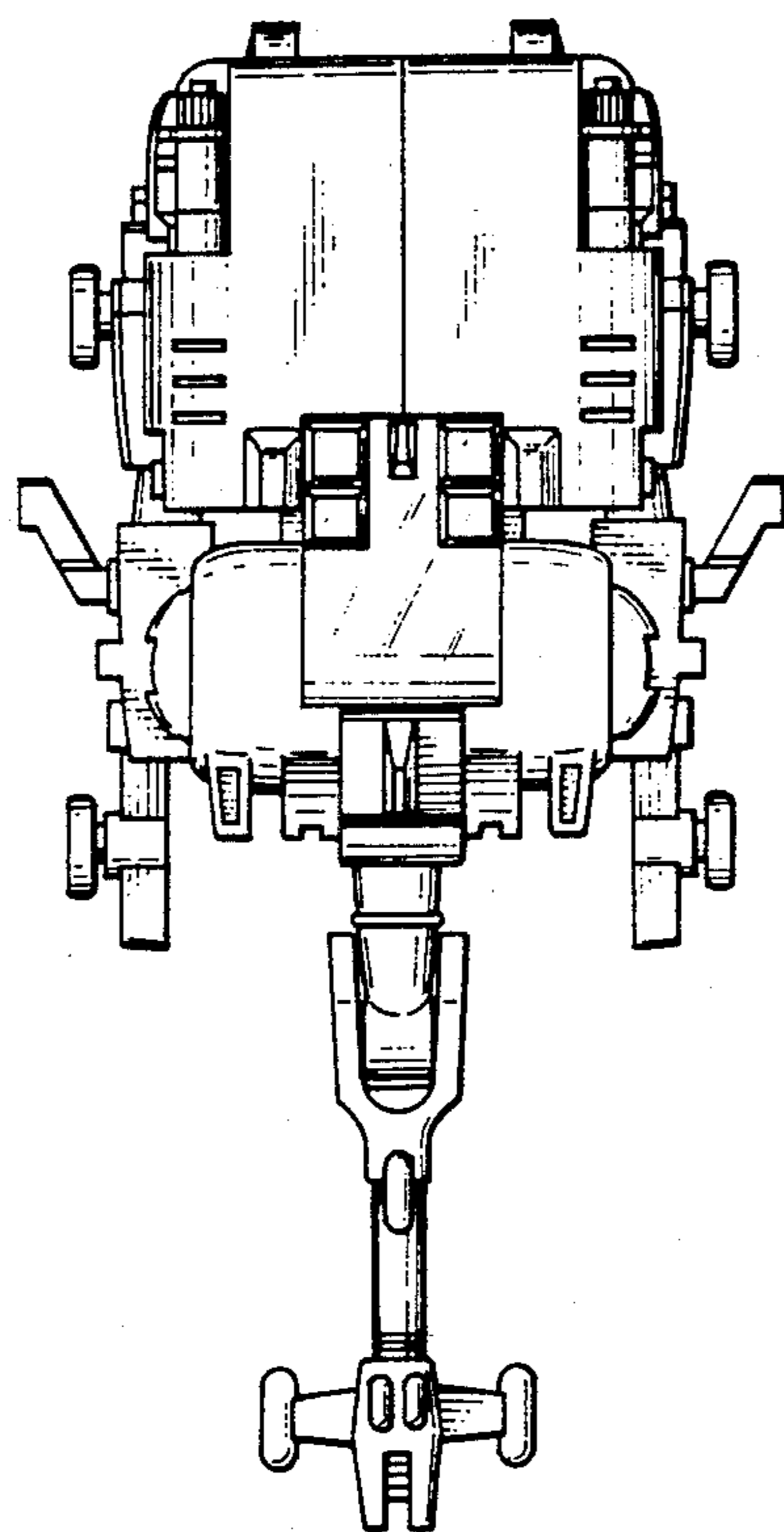


FIG. 5

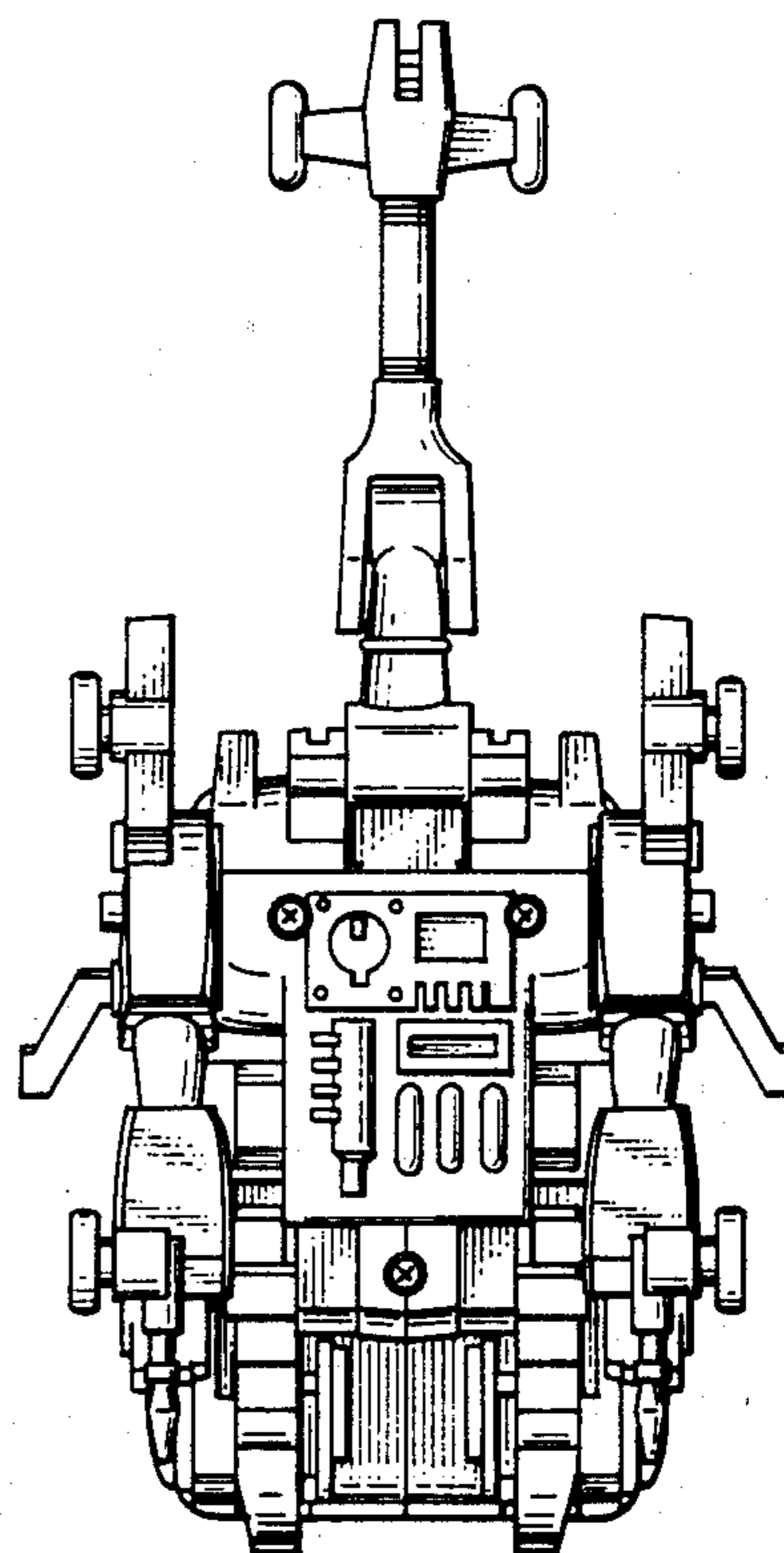


FIG. 6

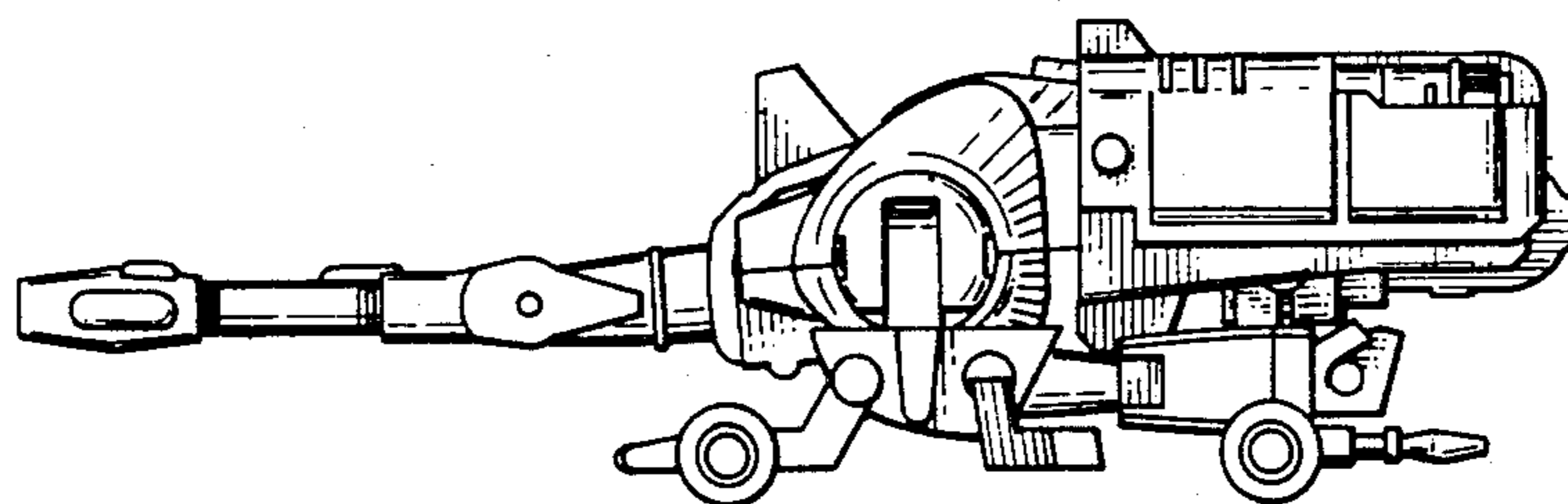


FIG. 7

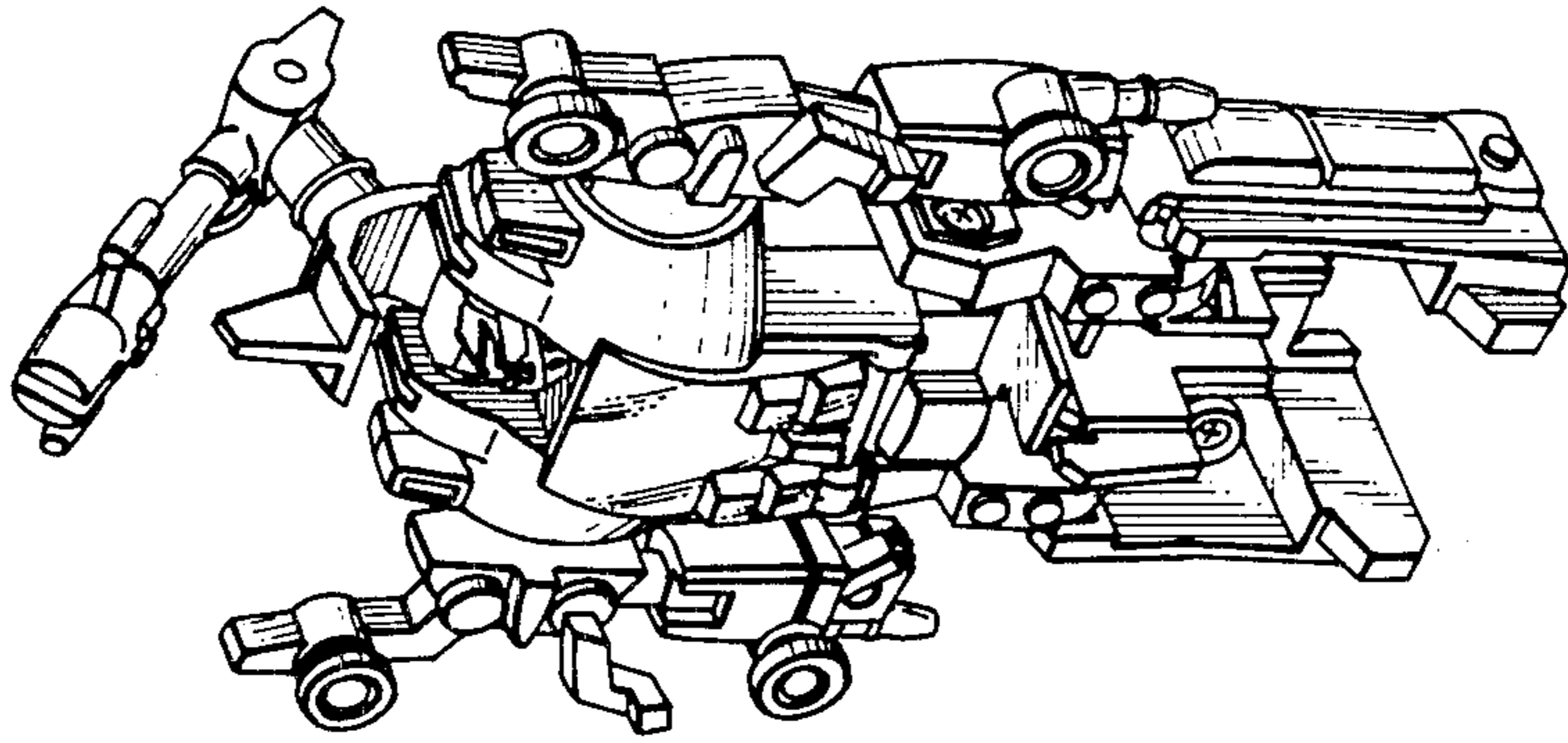


FIG. 8

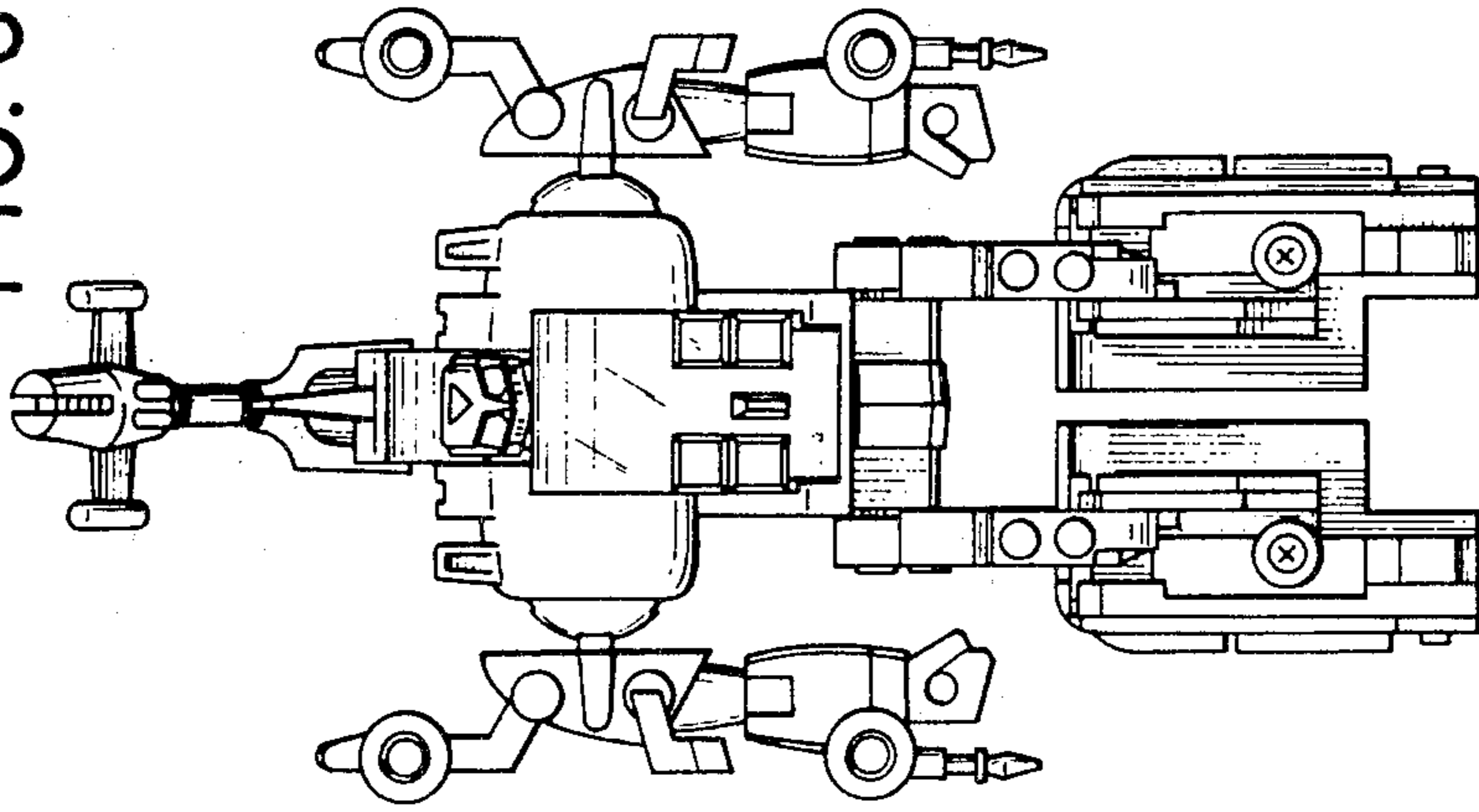


FIG. 9

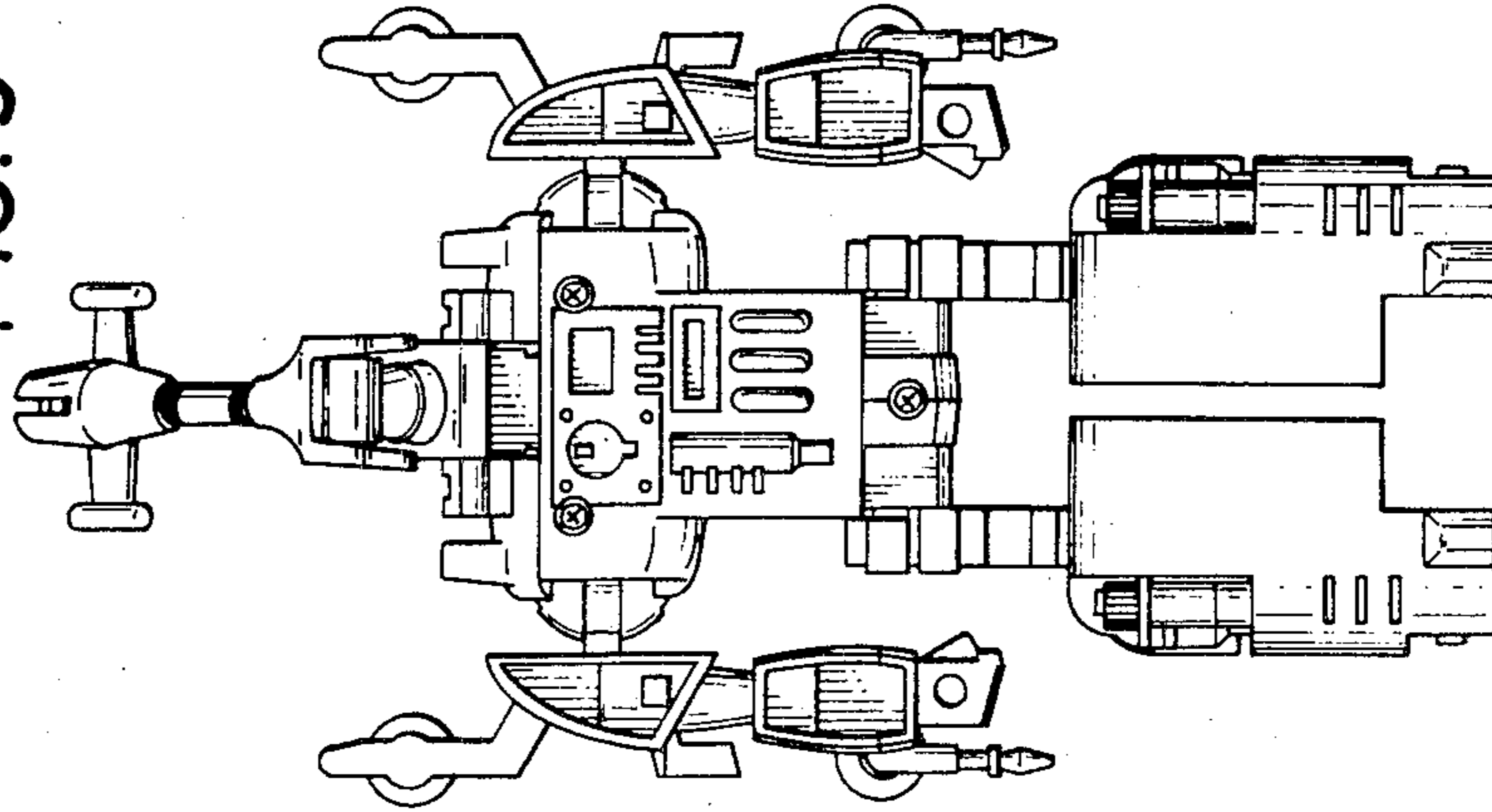


FIG. 10

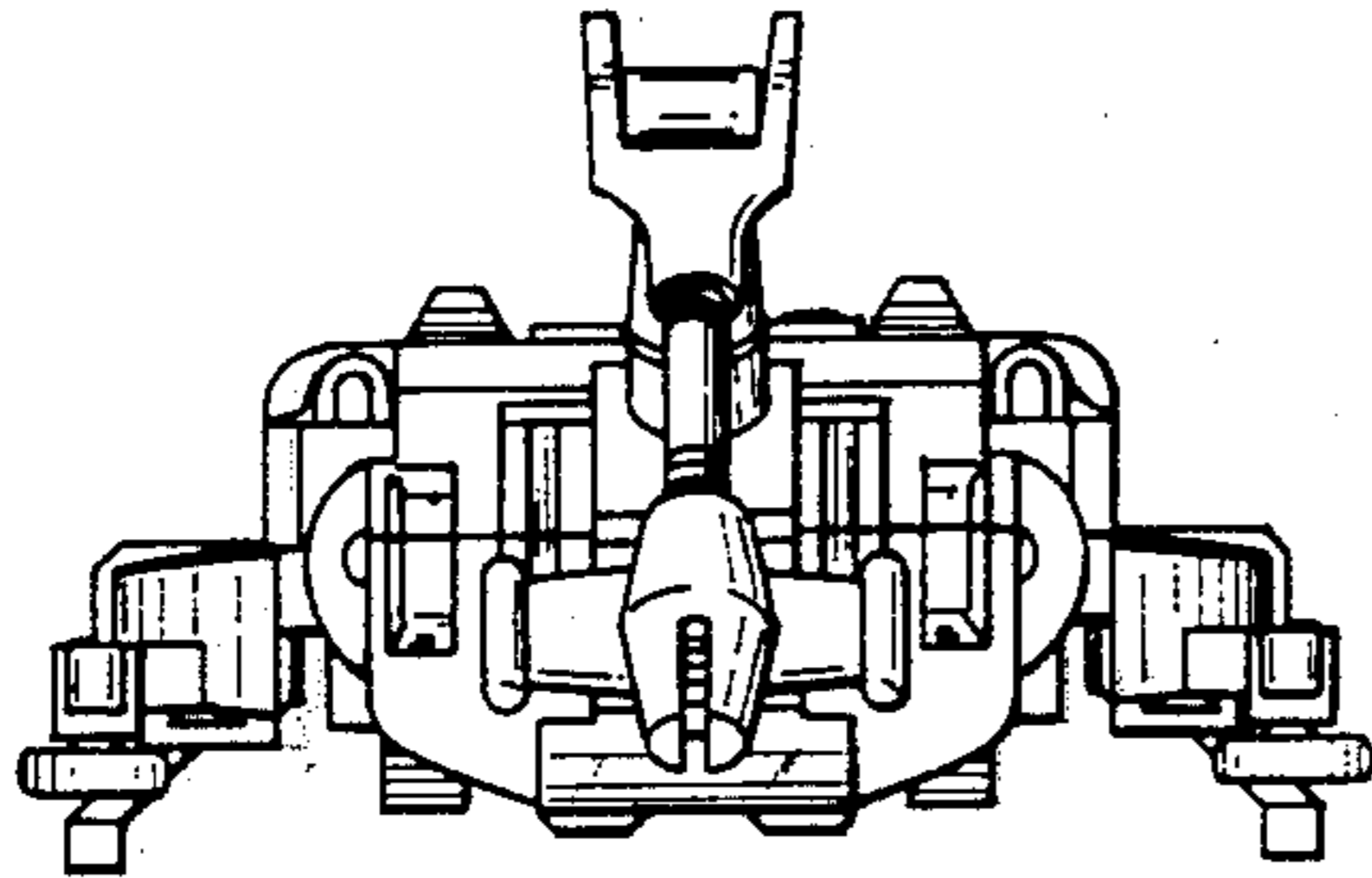


FIG. 11

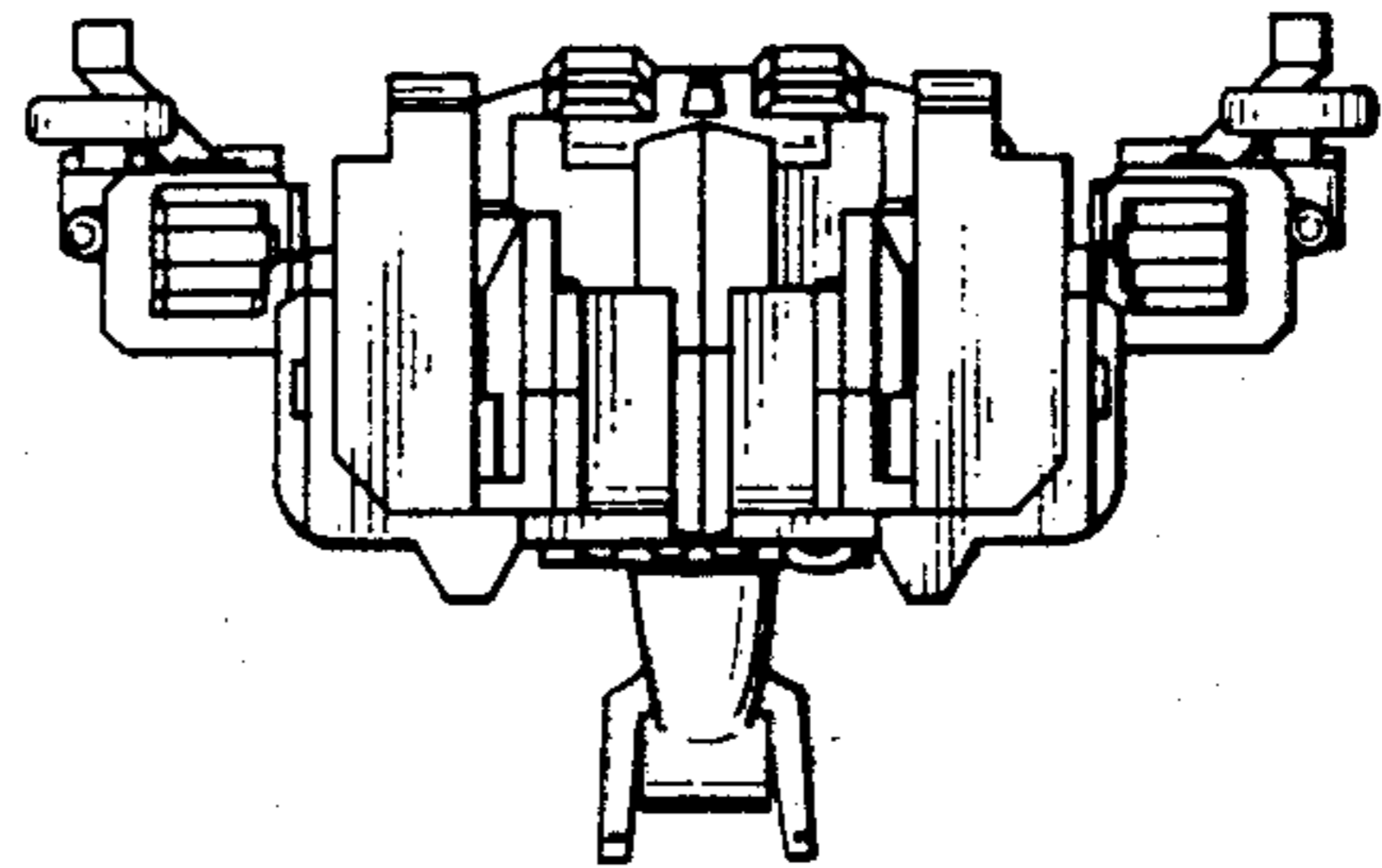


FIG. 12

