

[54] RECONFIGURABLE DINOSAURIAN TOY

[75] Inventor: Kouzin Ohno, Tokyo, Japan

[73] Assignee: Takara Co., Ltd., Tokyo, Japan

[**] Term: 14 Years

[21] Appl. No.: 616,425

[22] Filed: May 30, 1984

[30] Foreign Application Priority Data

Apr. 10, 1984 [JP] Japan 59-14287

[52] U.S. Cl. D21/148; D21/150

[58] Field of Search D21/148, 150; 446/97, 446/99, 321, 376, 487

[56] References Cited

U.S. PATENT DOCUMENTS

4,391,060 7/1983 Nakane 446/97
4,515,571 5/1985 Kozuka et al. 446/99

OTHER PUBLICATIONS

Toys and Novelties, Mar., 1963, p. 230, middle right, Stegosaurus.

Primary Examiner—Melvin B. Feifer

Attorney, Agent, or Firm—Price, Gess & Ubell

[57] CLAIM

The ornamental design for a reconfigurable dinosaurian toy, substantially as shown and described.

DESCRIPTION

FIG. 1 is a front elevational view of a reconfigurable

dinosaurian toy showing my new design in a humanoid configuration;

FIG. 2 is a rear elevational view;

FIG. 3 is a right elevational side view;

FIG. 4 is a left elevational side view;

FIG. 5 is a top plan view;

FIG. 6 is a bottom plan view;

FIG. 7 is a left front side perspective view;

FIG. 8 is a right front side perspective view;

FIG. 9 is a right front side perspective view of the toy being reconfigured;

FIG. 10 is a right front side perspective view of the toy being reconfigured;

FIG. 11 is a lower right side perspective view of the toy being reconfigured;

FIG. 12 is a lower rear side perspective view of the toy being reconfigured;

FIG. 13 is a side perspective view of the toy being reconfigured;

FIG. 14 is a front side perspective view of the toy being reconfigured;

FIG. 15 is a rear side perspective view of the toy being reconfigured as a dinosaurian toy;

FIG. 16 is a front elevational view of the embodiment of the toy of FIG. 15;

FIG. 17 is a rear elevational view of the embodiment of the toy of FIG. 15;

FIG. 18 is a right elevational side view of the embodiment of the toy of FIG. 15;

FIG. 19 is a top plan view of the embodiment of the toy of FIG. 15; and

FIG. 20 is a bottom plan view of the embodiment of the toy of FIG. 15.

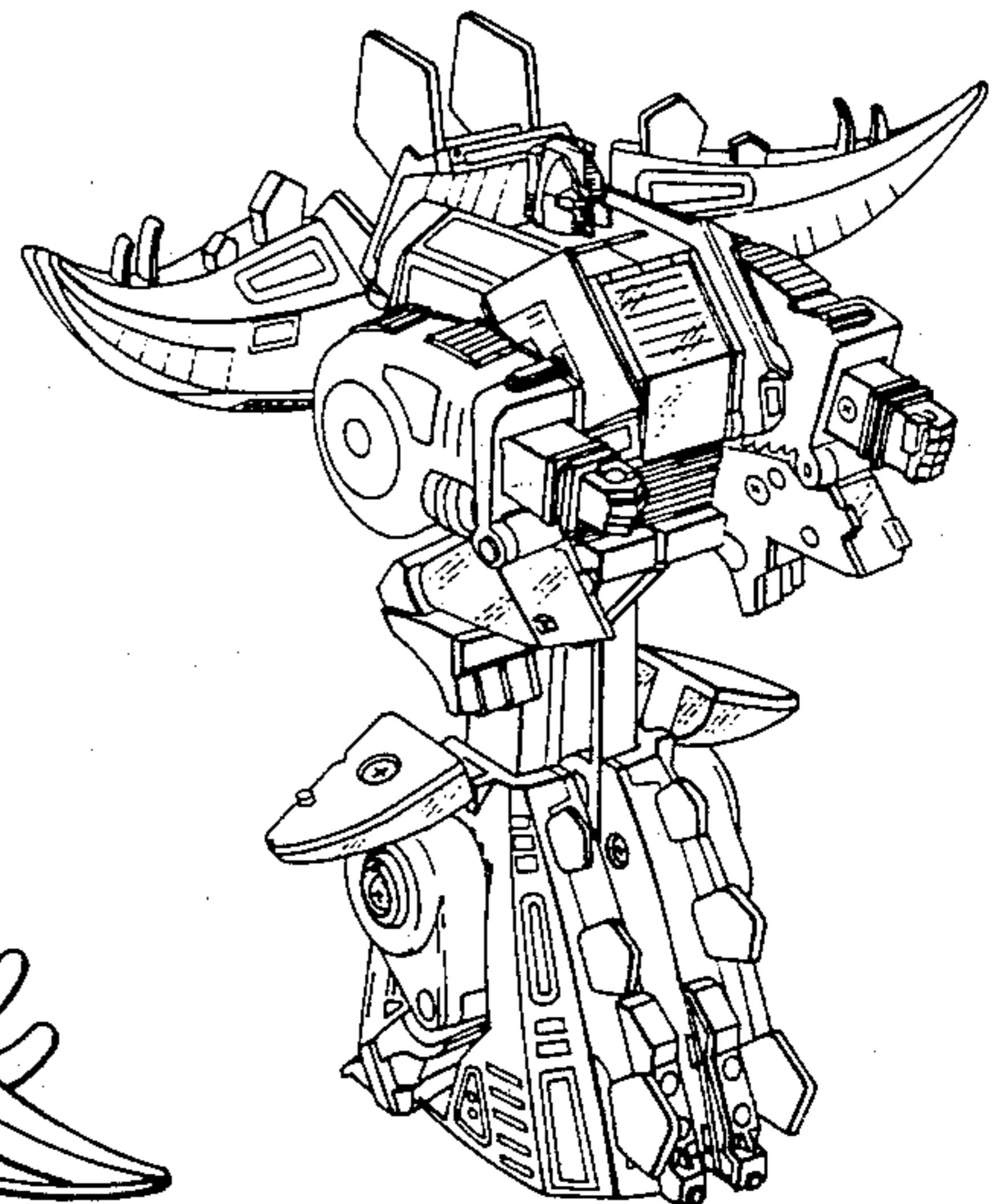
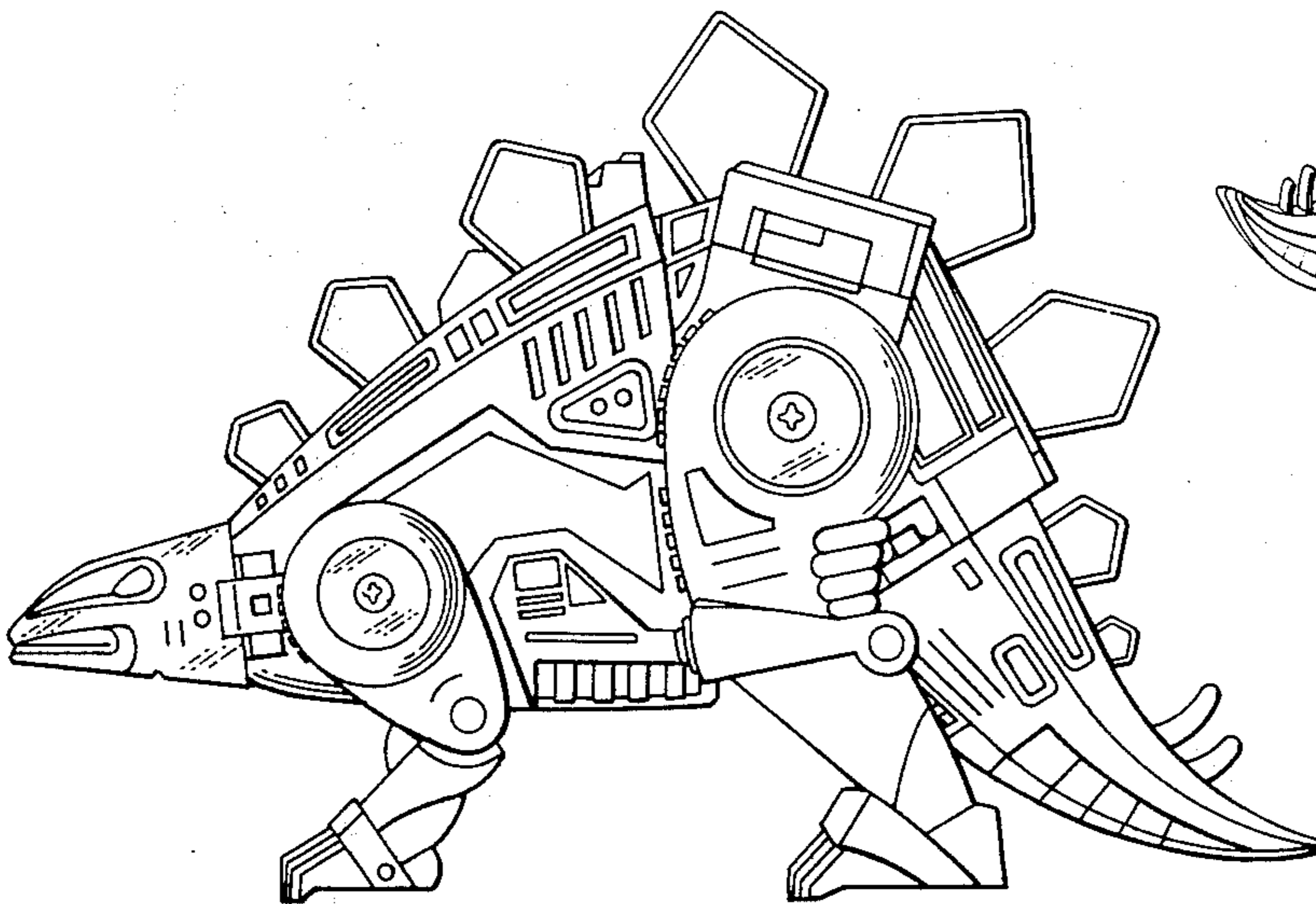


FIG. 2

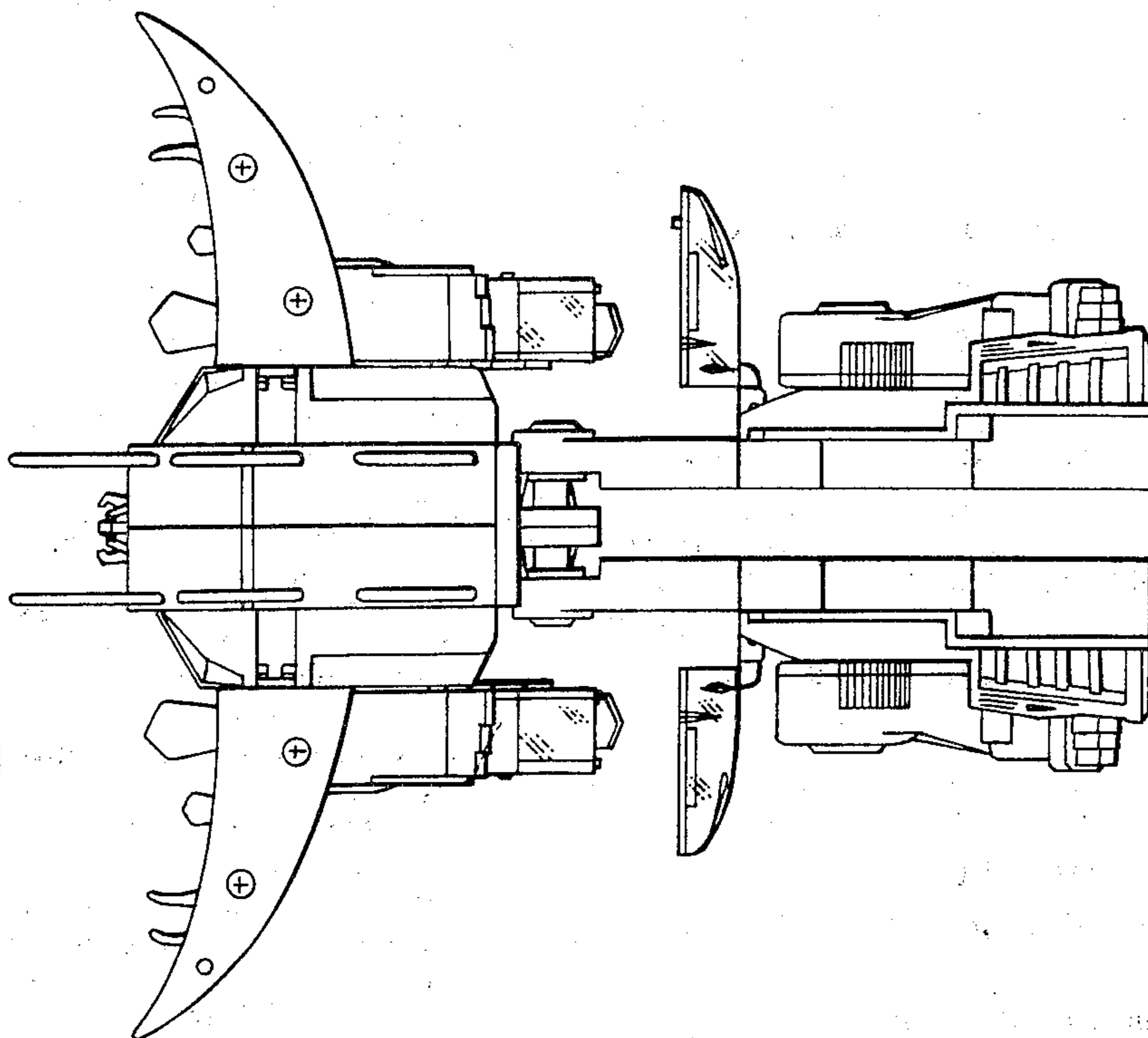


FIG. 1

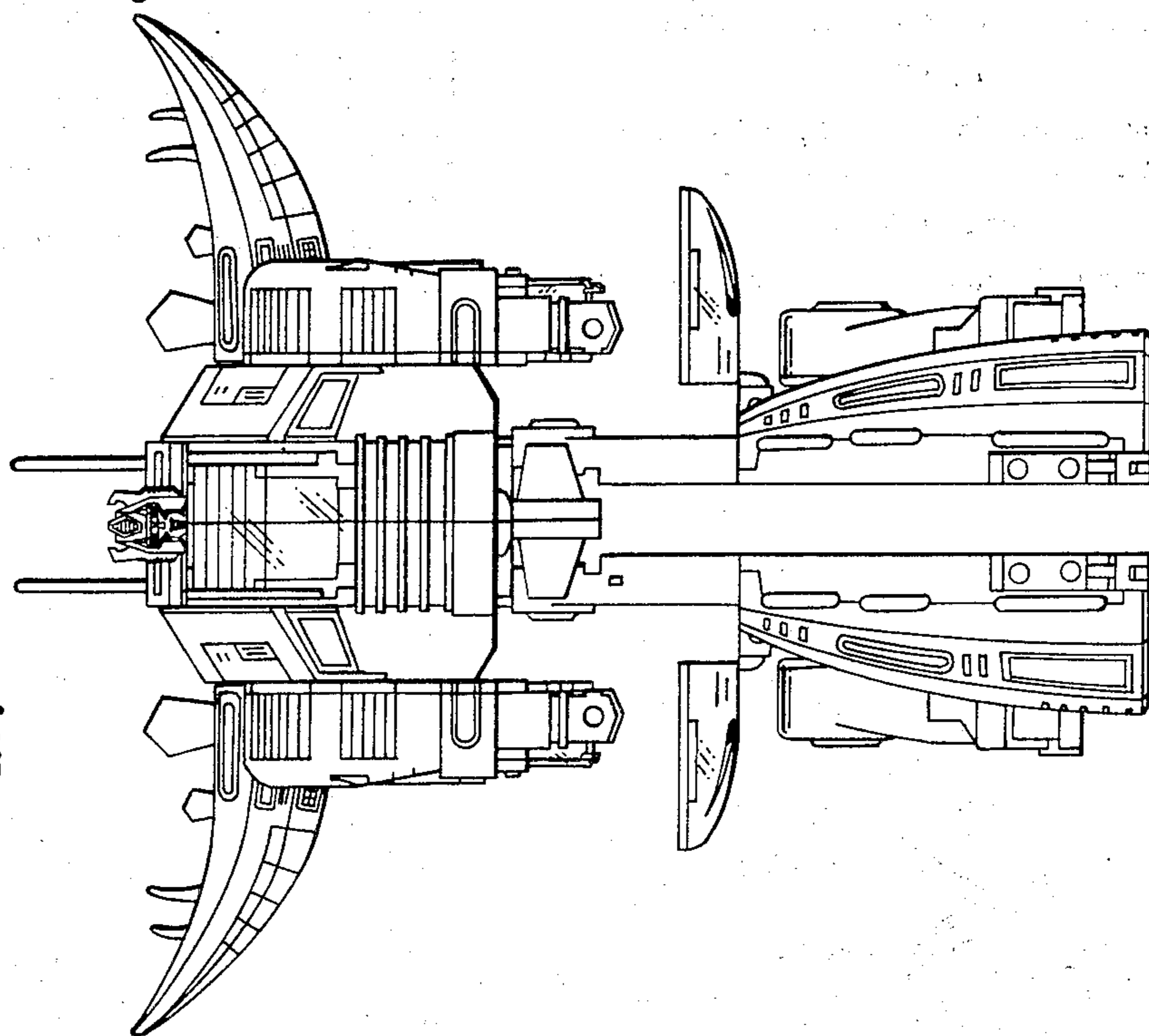


FIG. 4

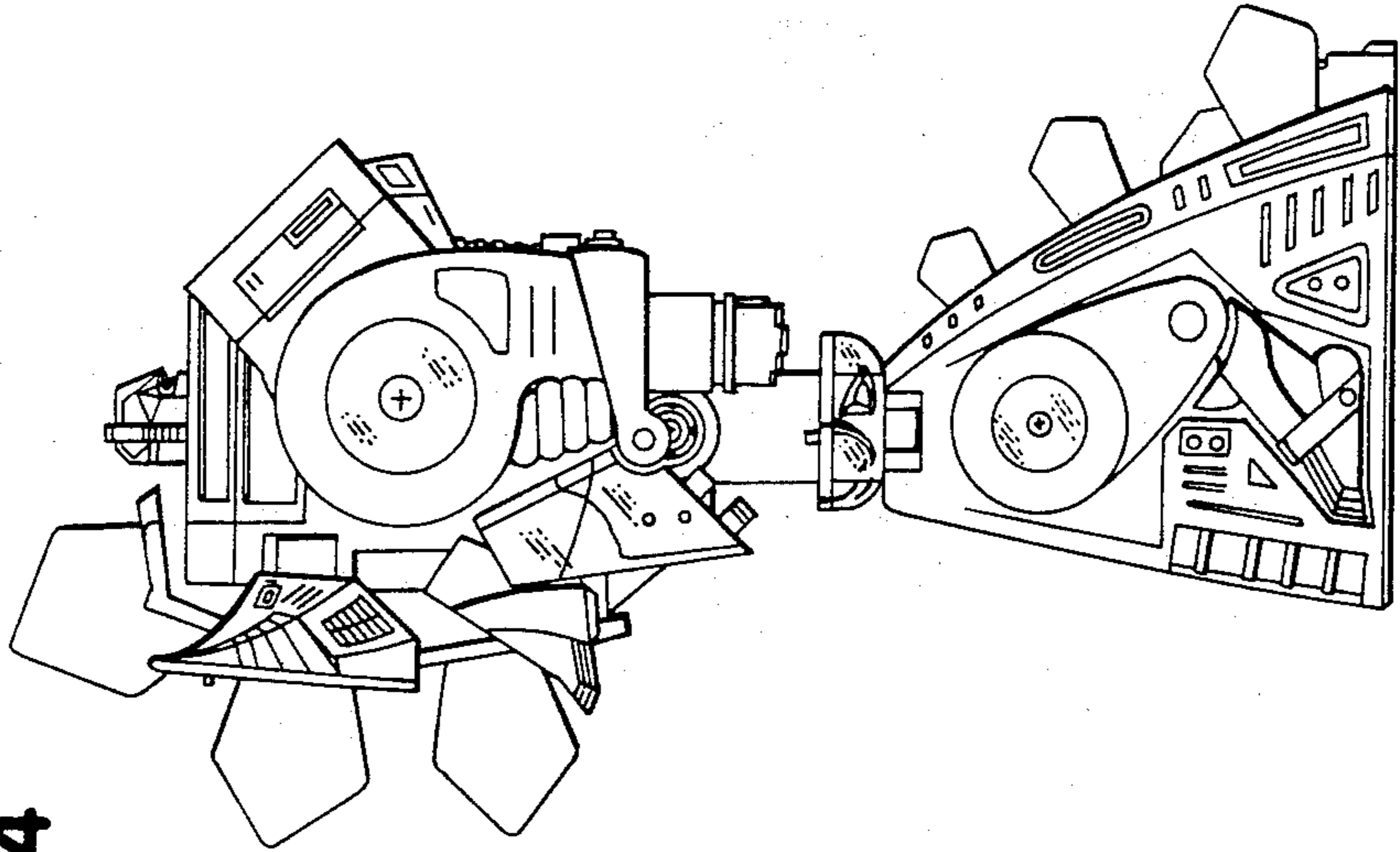
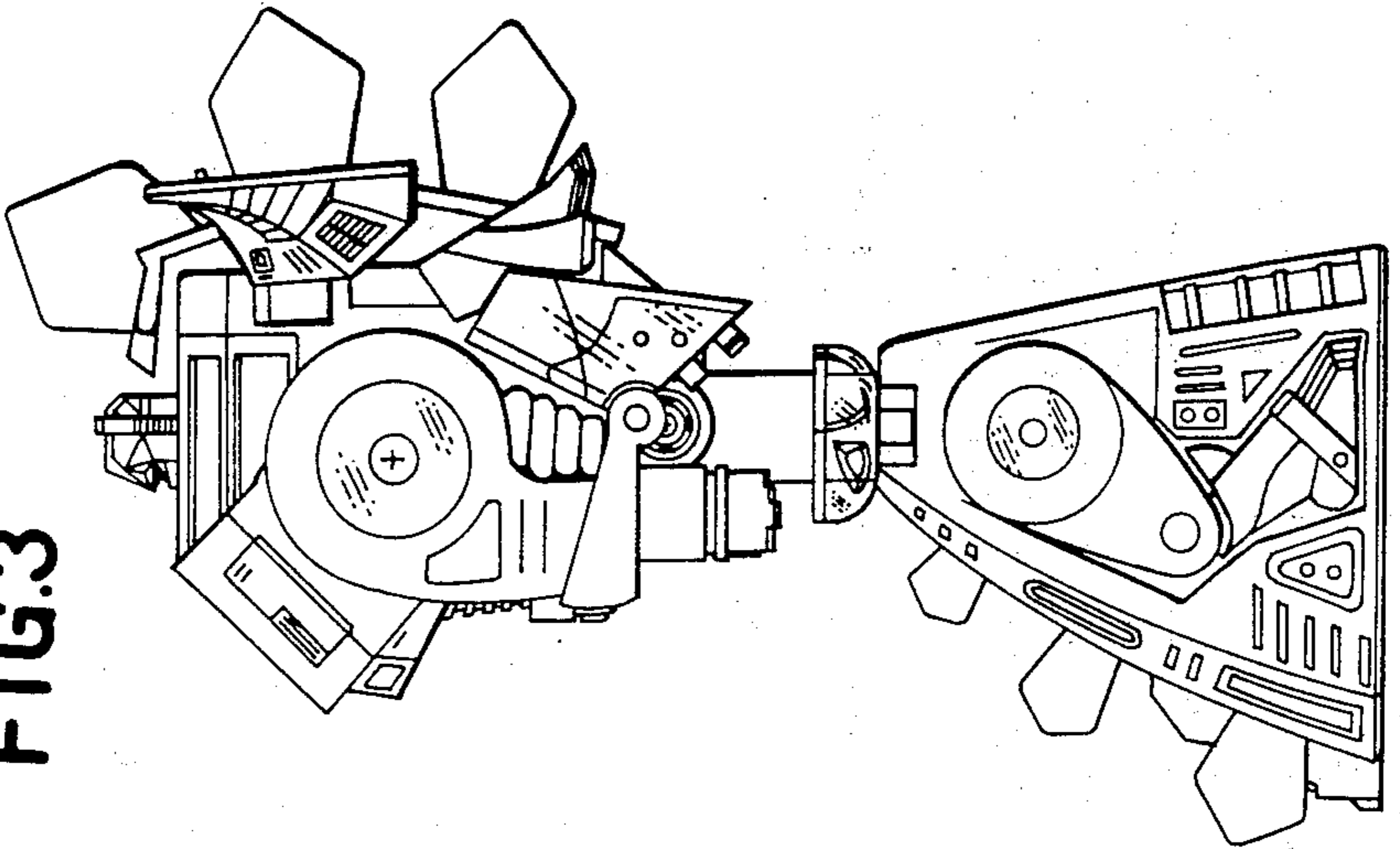


FIG. 3



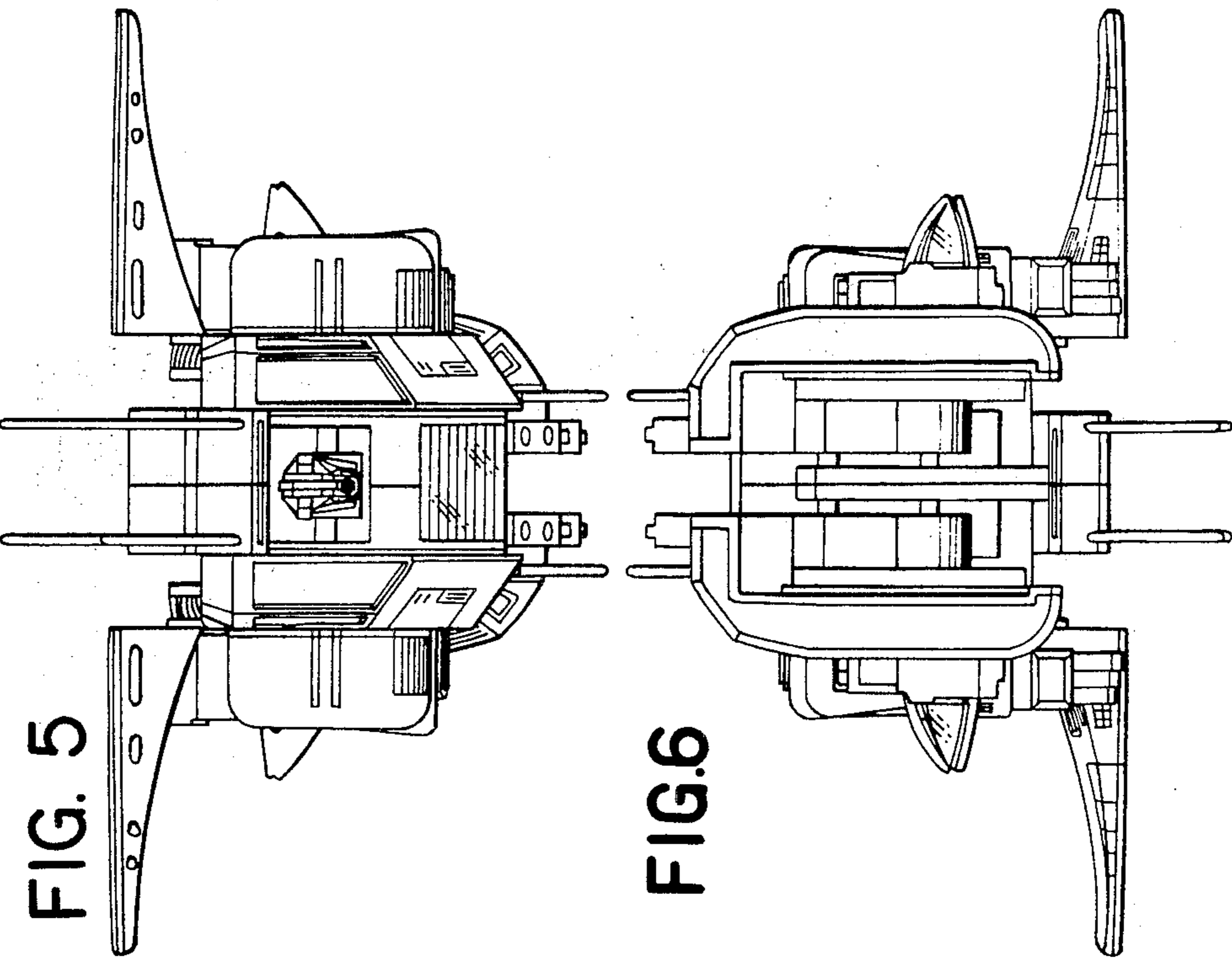
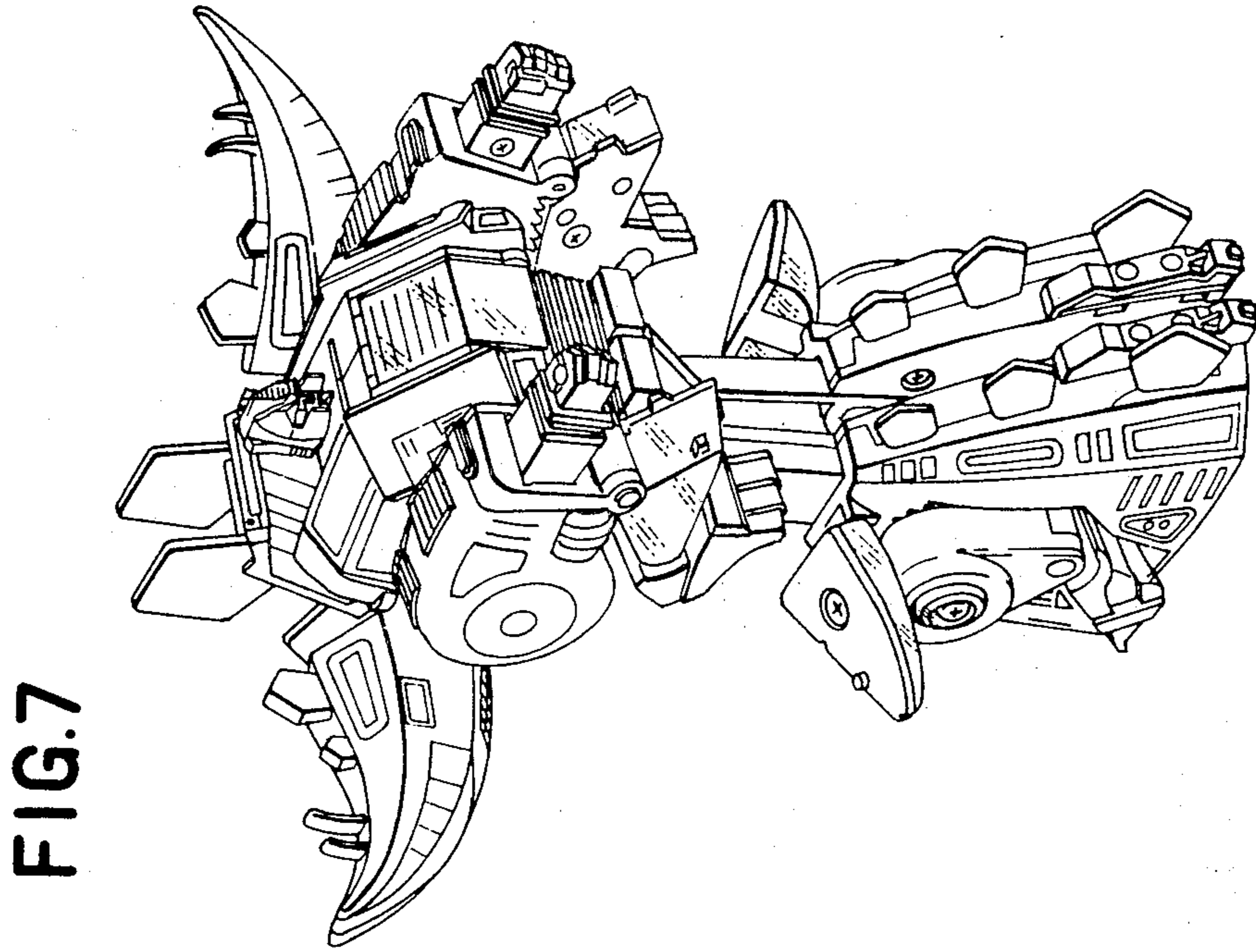


FIG. 5

FIG. 6

FIG. 9

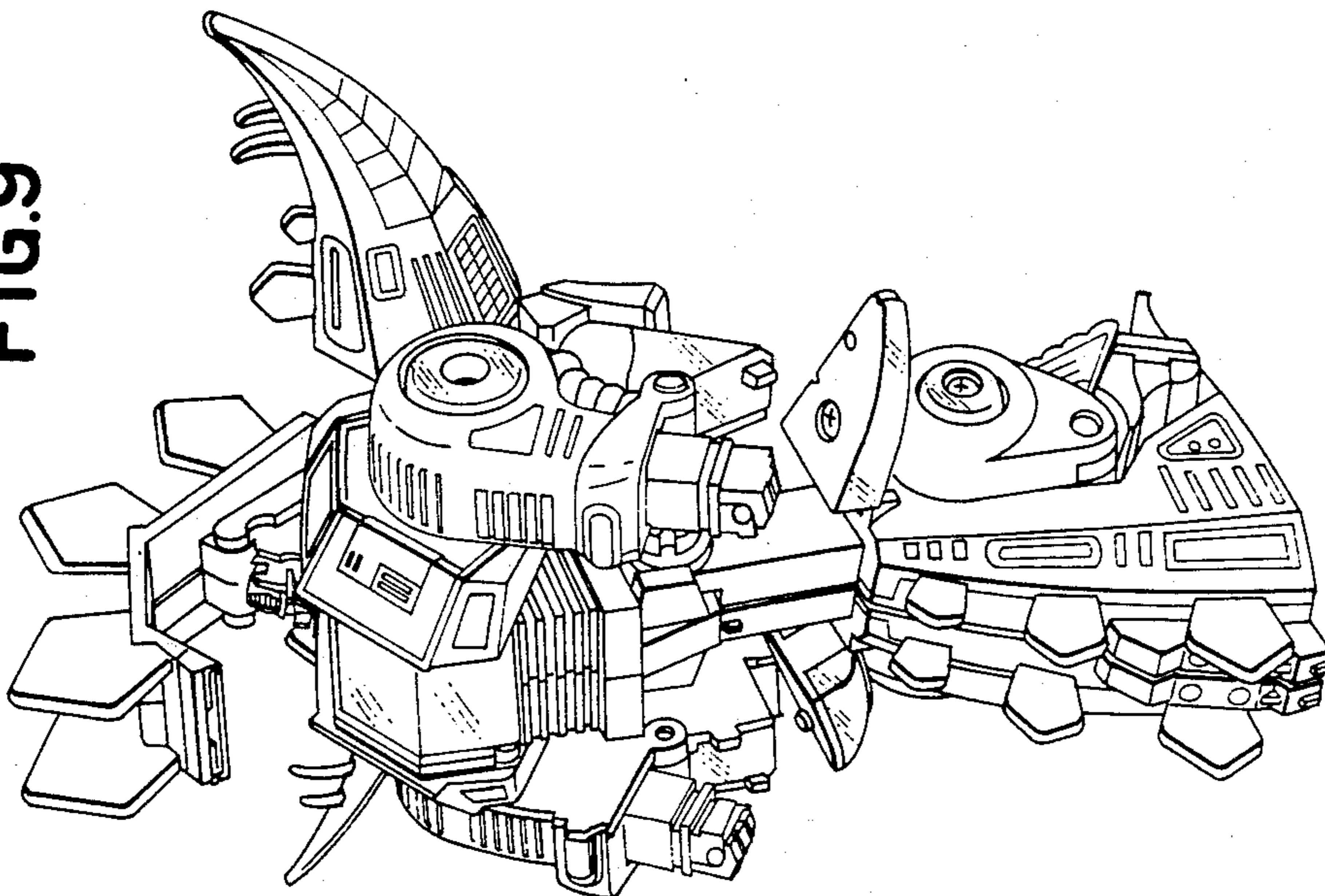


FIG. 8

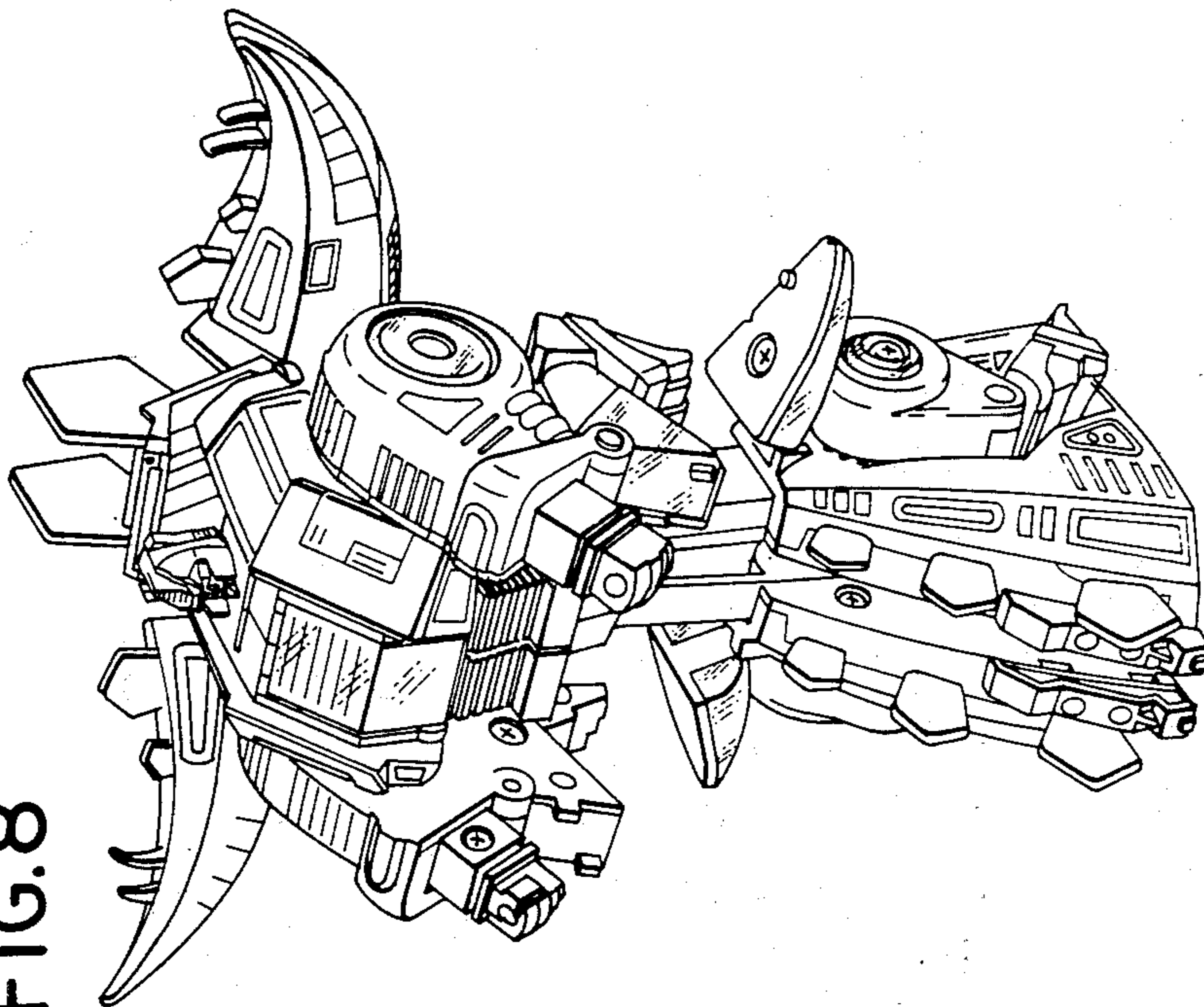


FIG.12

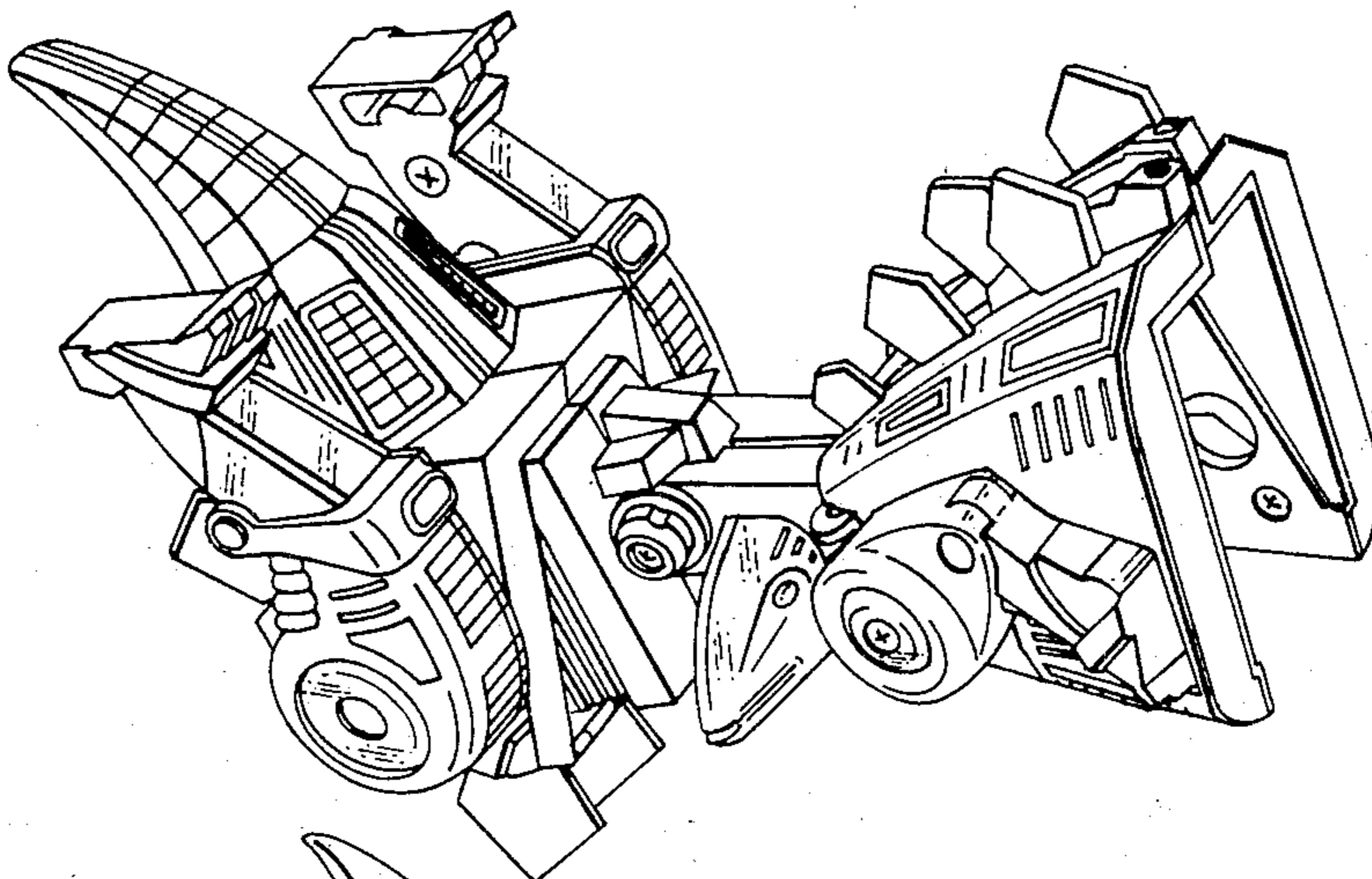


FIG.11

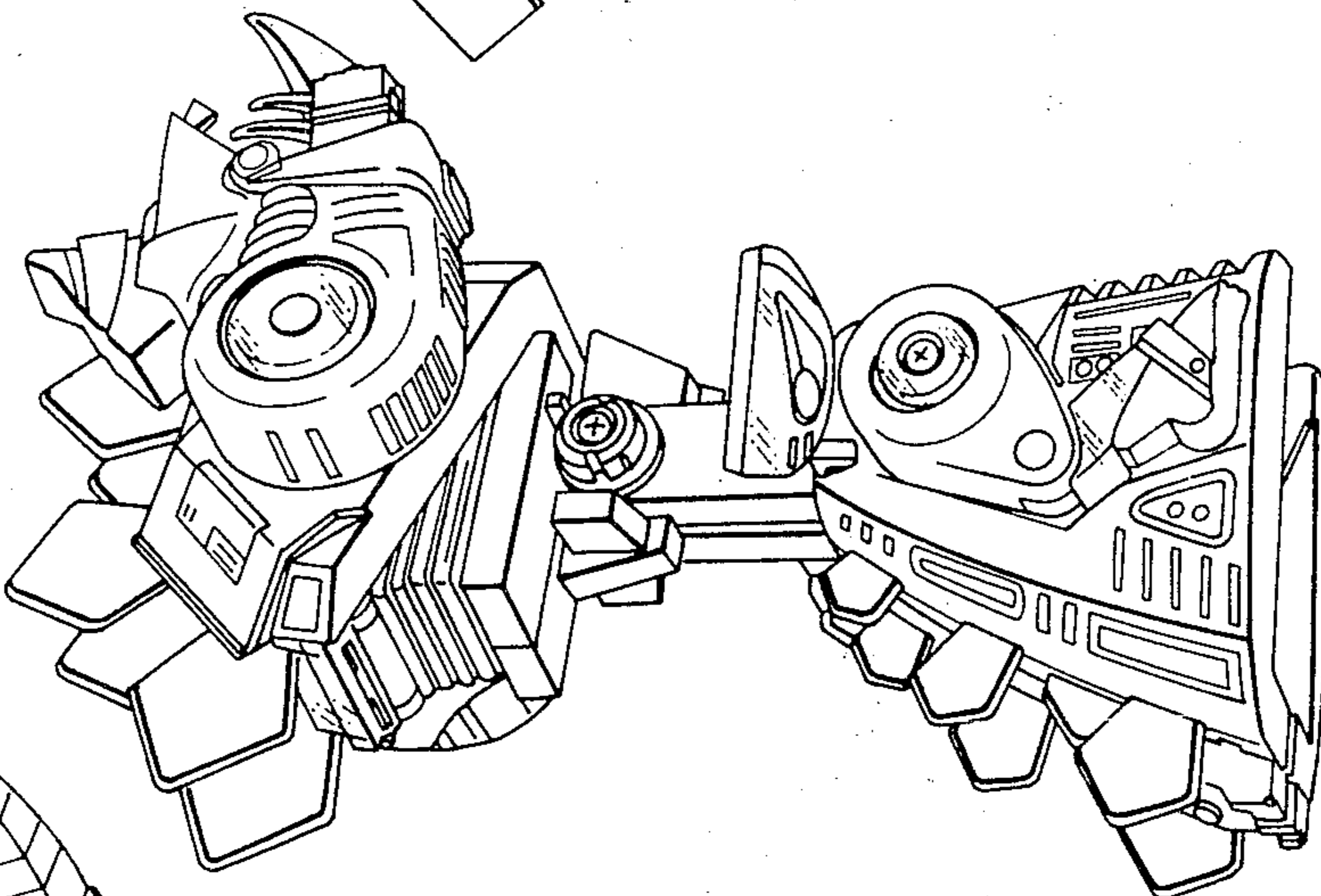


FIG.10

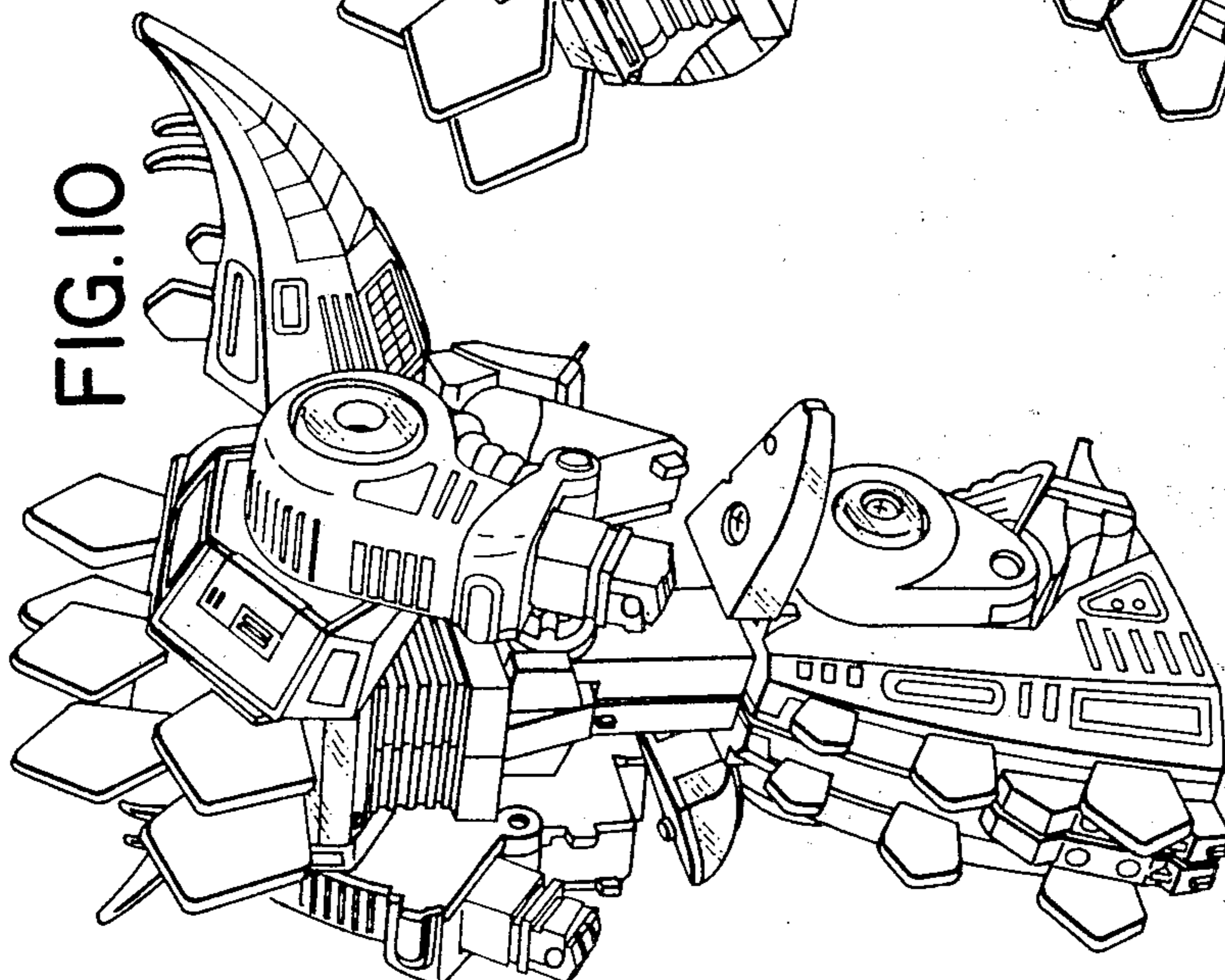


FIG.14

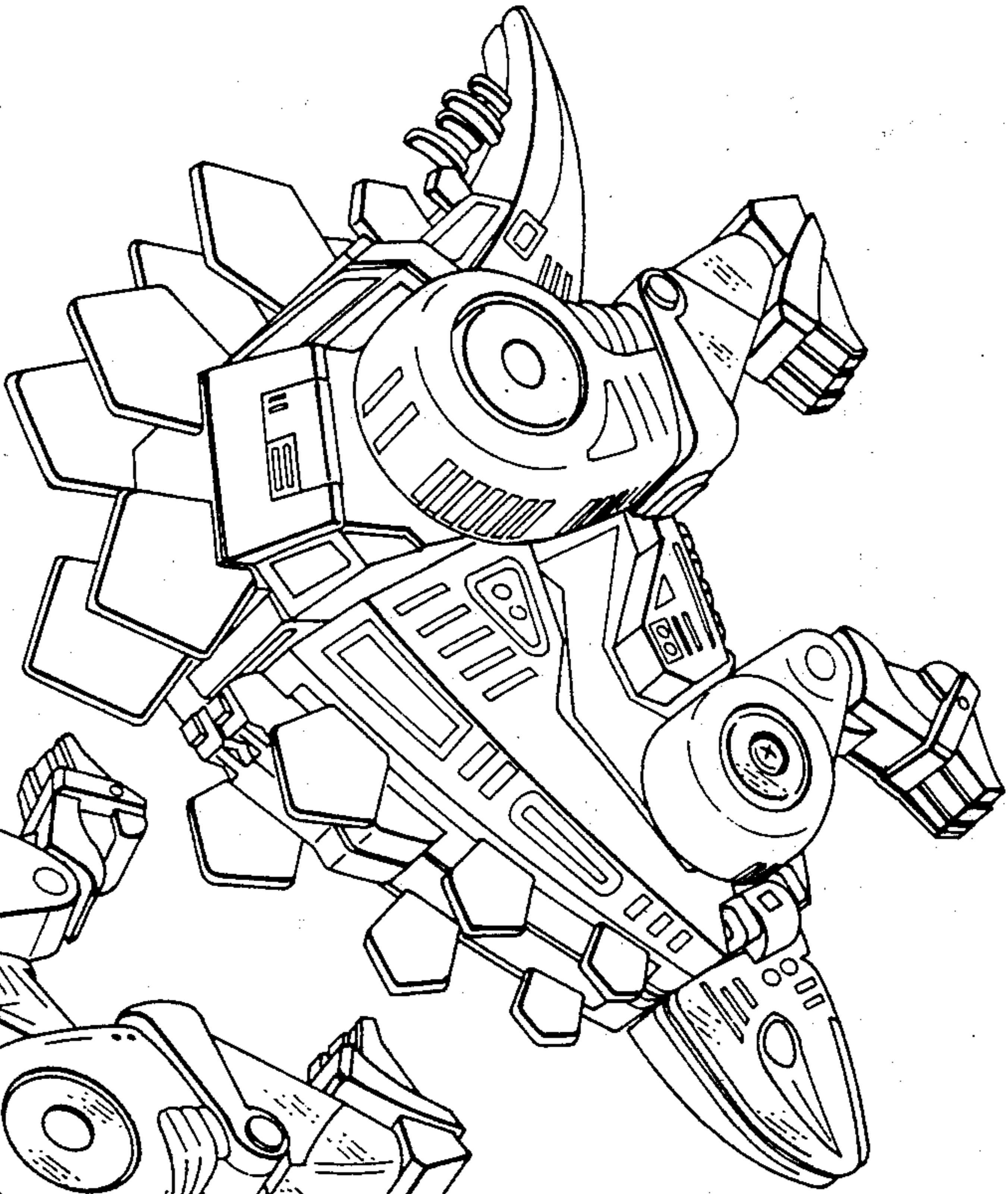


FIG.15

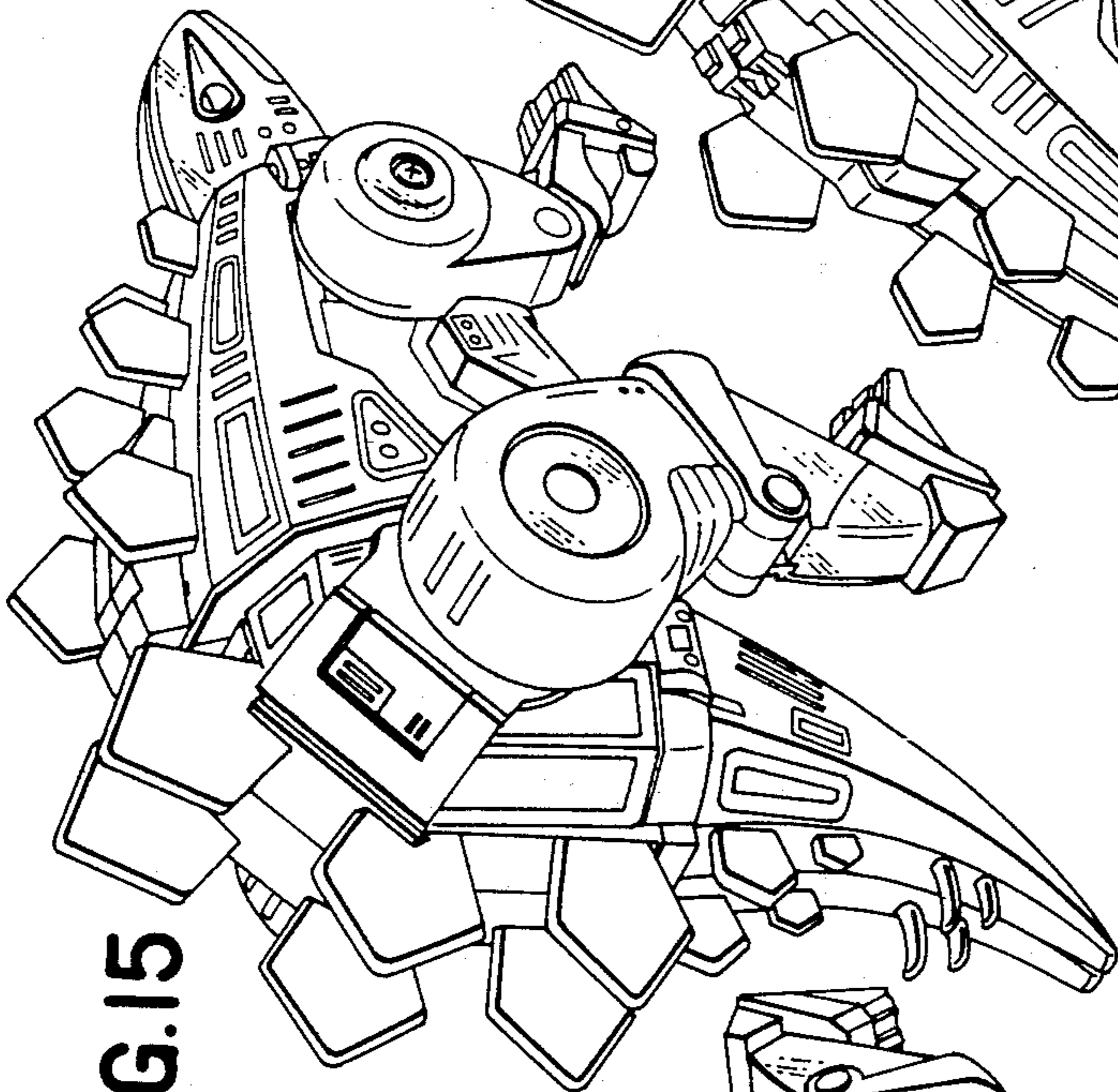


FIG.13

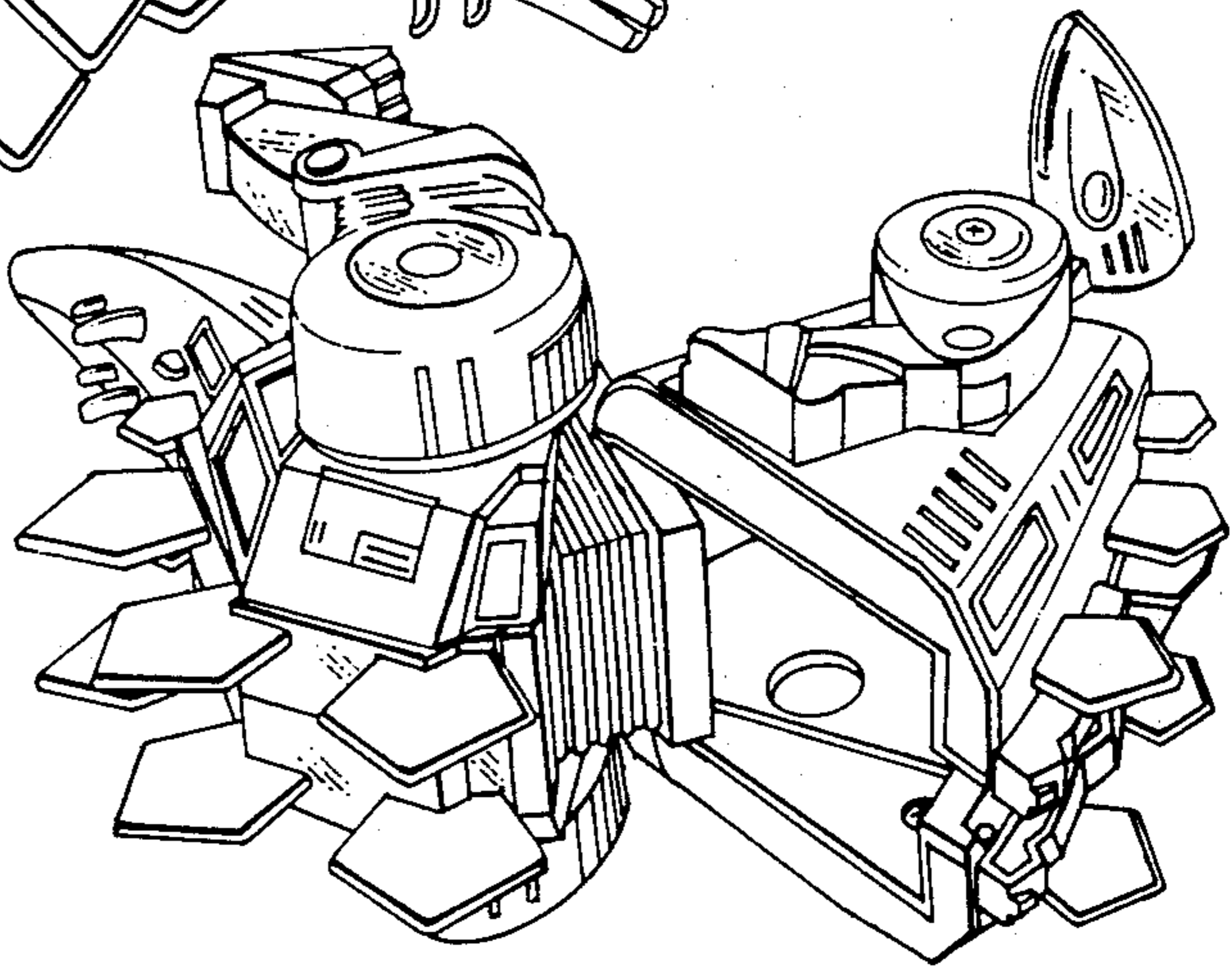


FIG.16

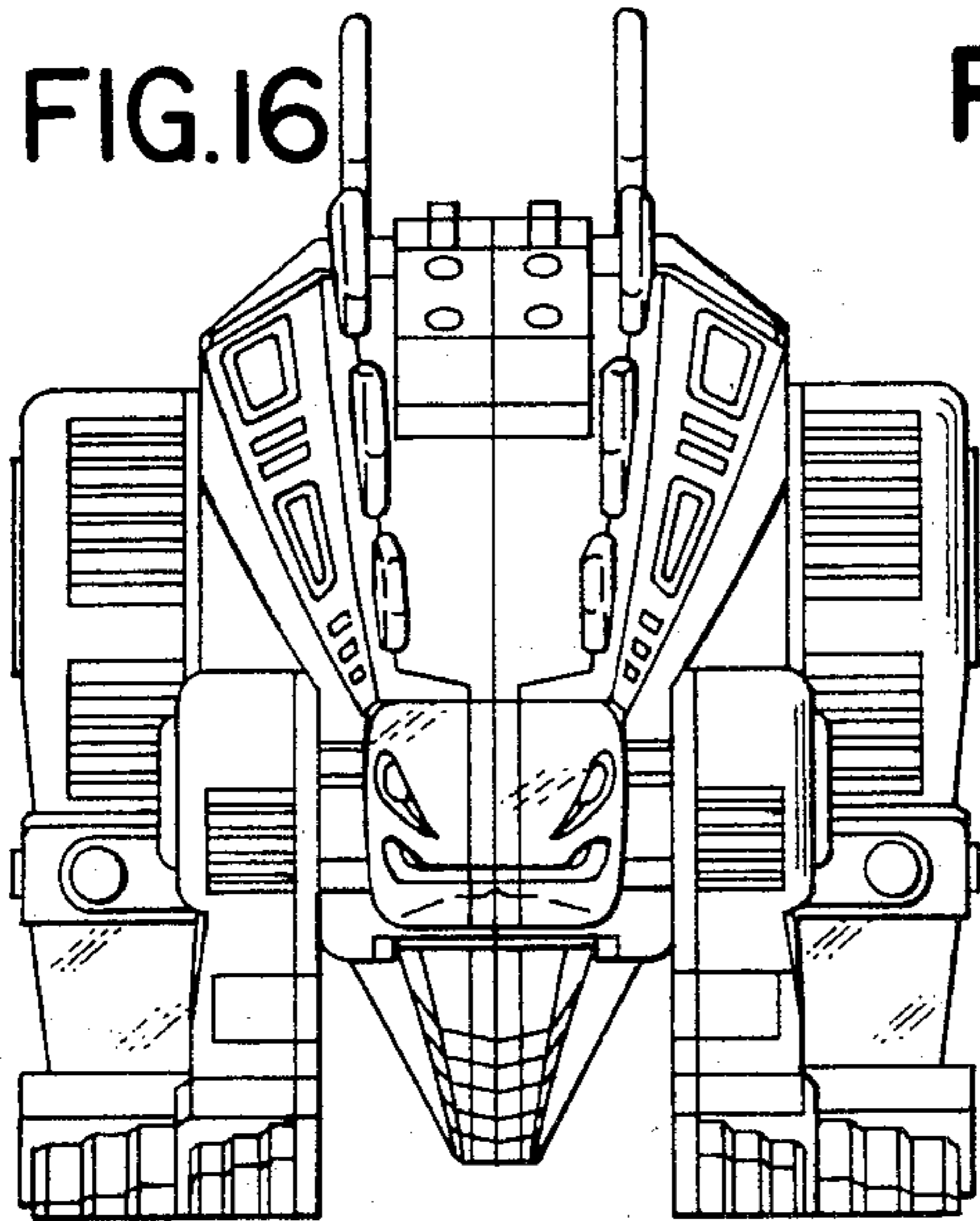


FIG.17

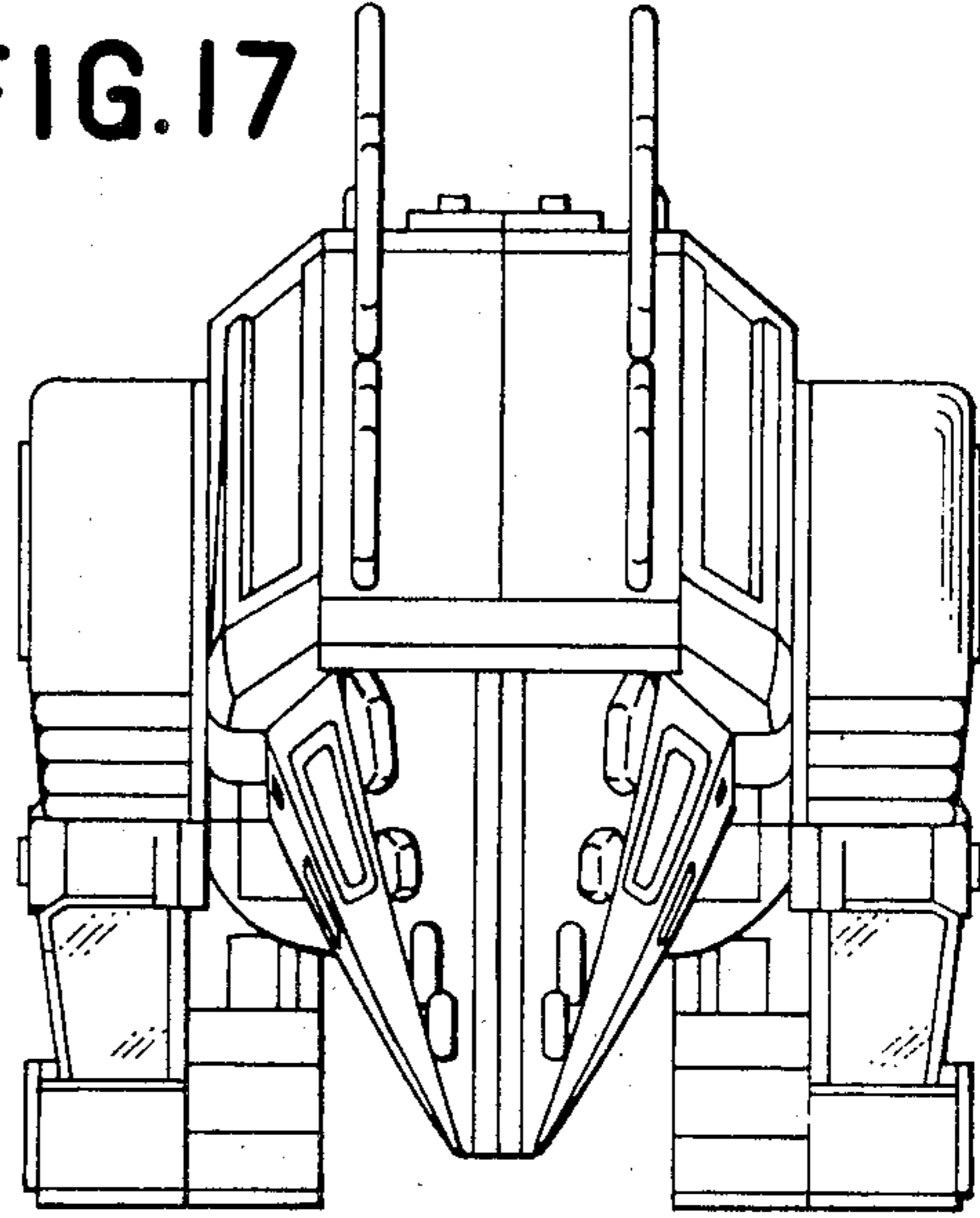
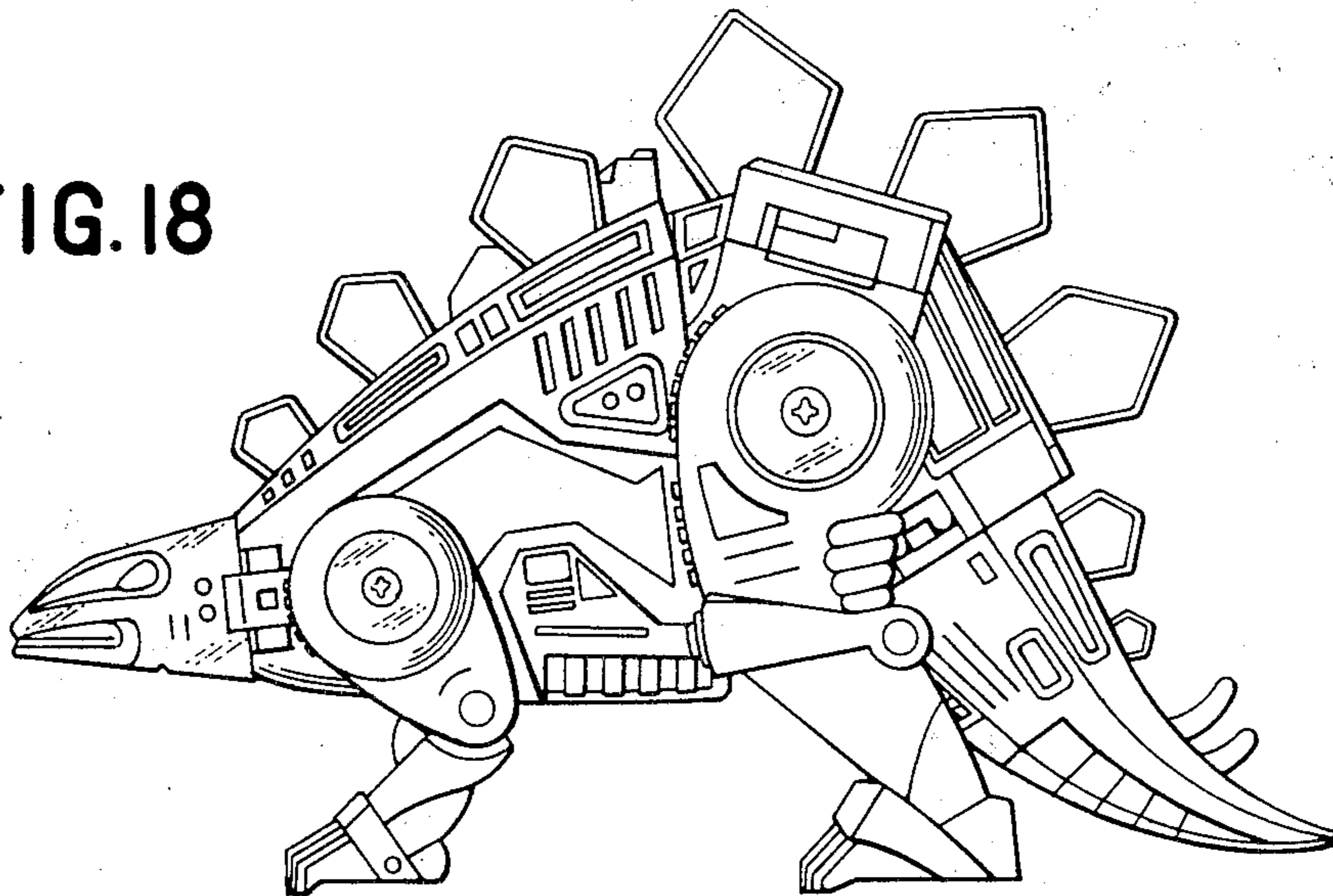


FIG.18



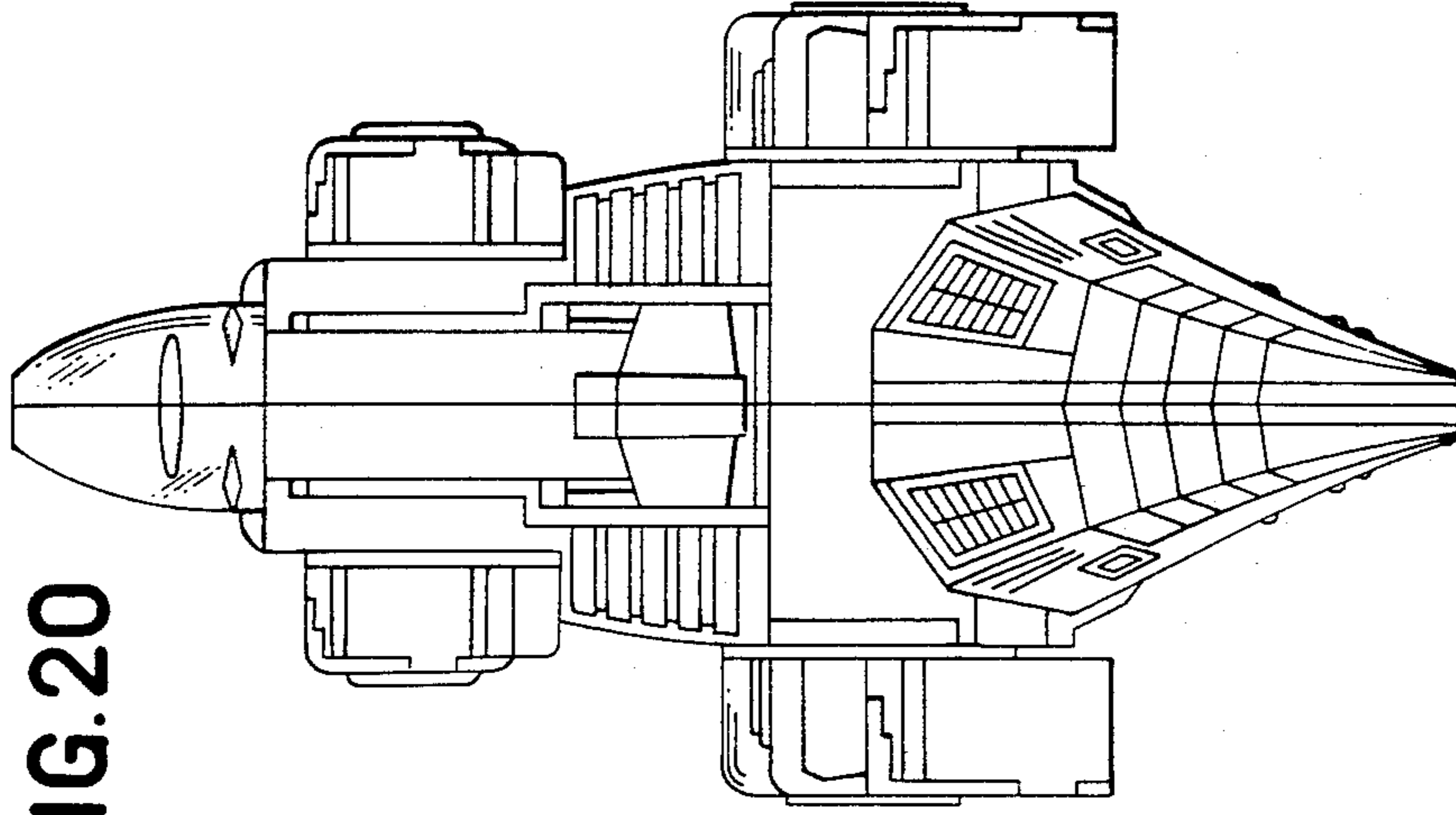


FIG. 20

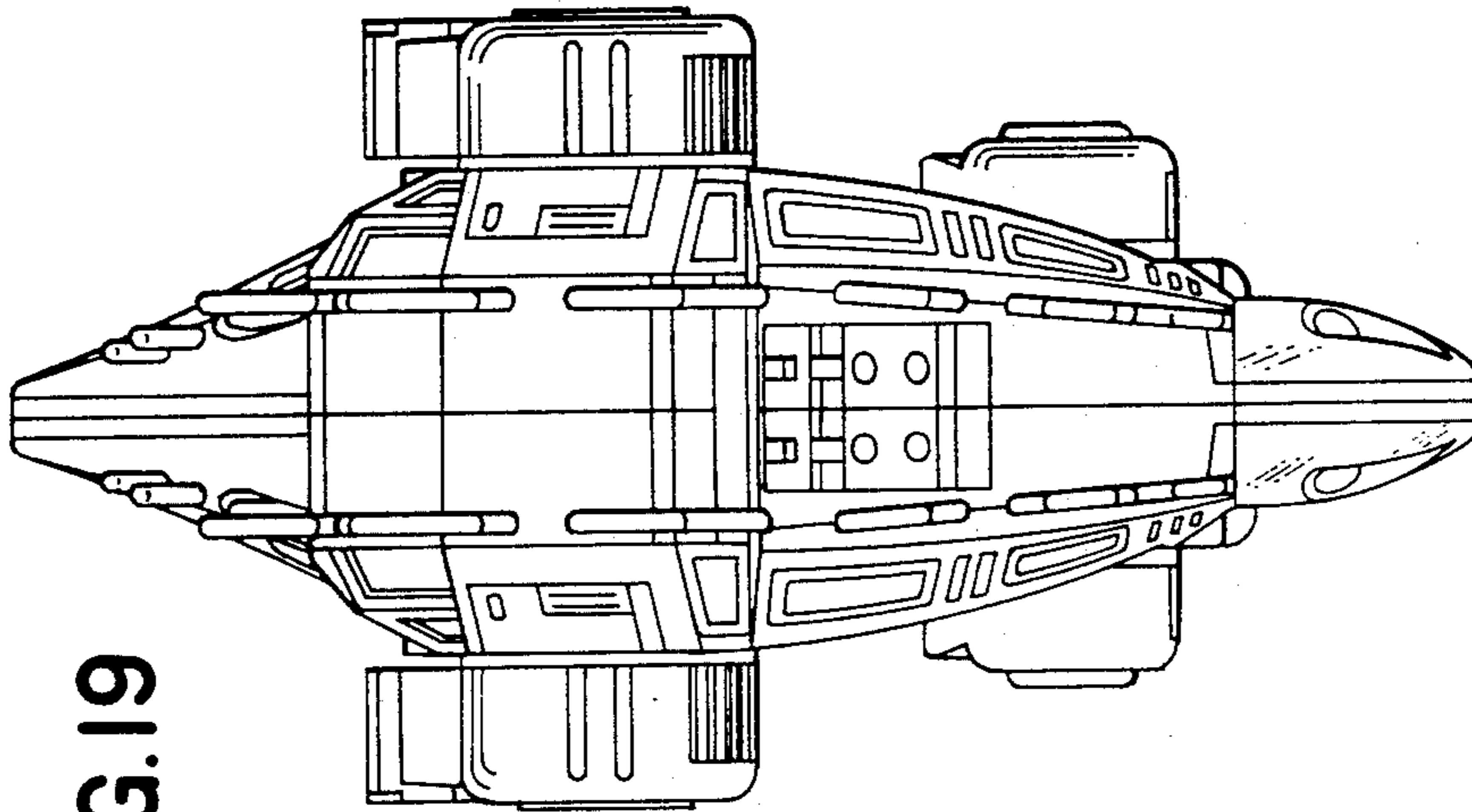


FIG. 19