

[54] TELESCOPE

[76] Inventor: Joseph E. Murray, Jr., 27 Alpine St., #14, Malden, Mass. 02148

[**] Term: 14 Years

[21] Appl. No.: 570,870

[22] Filed: Jan. 16, 1984

[52] U.S. Cl. D16/132

[58] Field of Search: D16/130-136; 350/537, 541, 544, 562-569

[56] References Cited

U.S. PATENT DOCUMENTS

D. 159,719	8/1950	Davidson	D16/132
D. 228,027	7/1973	Heckel et al.	D16/132
654,949	7/1900	Common	350/563
1,510,732	10/1924	Wollensak	350/563
1,540,083	6/1925	Orr	350/537
2,463,959	3/1949	Flint	350/569

FOREIGN PATENT DOCUMENTS

0141357	4/1935	Fed. Rep. of Germany	350/562
---------	--------	----------------------	-------	---------

Primary Examiner—Susan J. Lucas
Assistant Examiner—C. E. Heflin

[57] CLAIM

The ornamental design for a telescope, as shown and described.

DESCRIPTION

FIG. 1 is a side elevational view of a telescope showing my new design with the sunshade shown extended and the focus ring closed;

FIG. 2 is a bottom plan view thereof with the sunshade shown retracted and the focus ring open;

FIG. 3 is an end elevational view thereof;

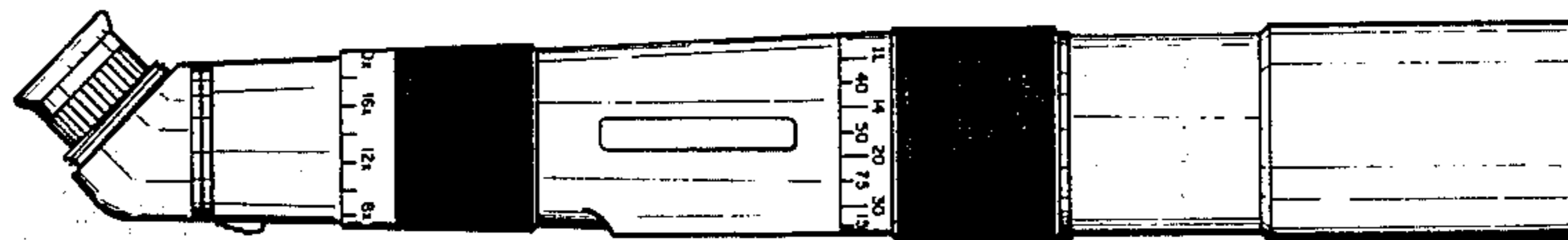
FIG. 4 is a fragmentary top plan view thereof;

FIG. 5 is an opposite end elevational view thereof;

FIG. 6 is an end elevational view of a telescope showing a second embodiment of my new design;

FIG. 7 is a fragmentary top plan view thereof with the portion omitted being identical to the first embodiment thereof.

The bottom, end and side views of the second embodiment of the telescope are substantially the same as the first except for the orientation of the eyepiece.



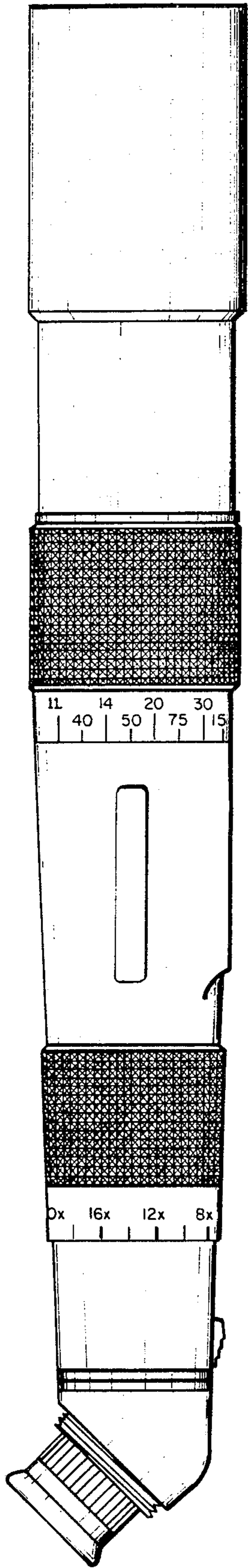


FIG. 1

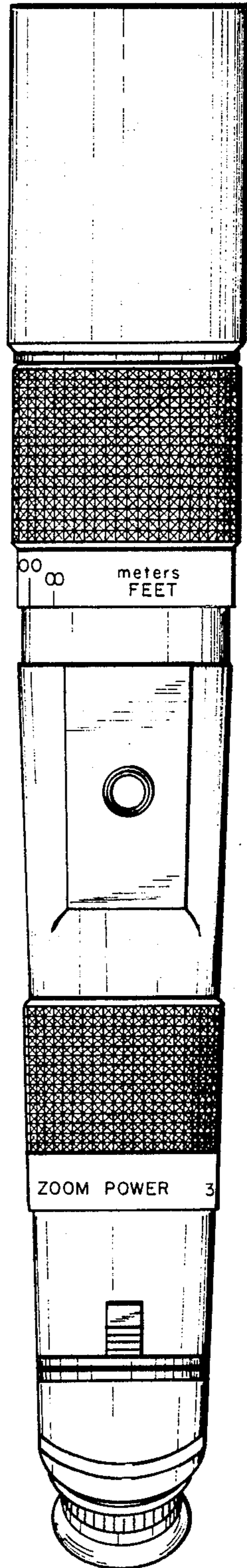


FIG. 2

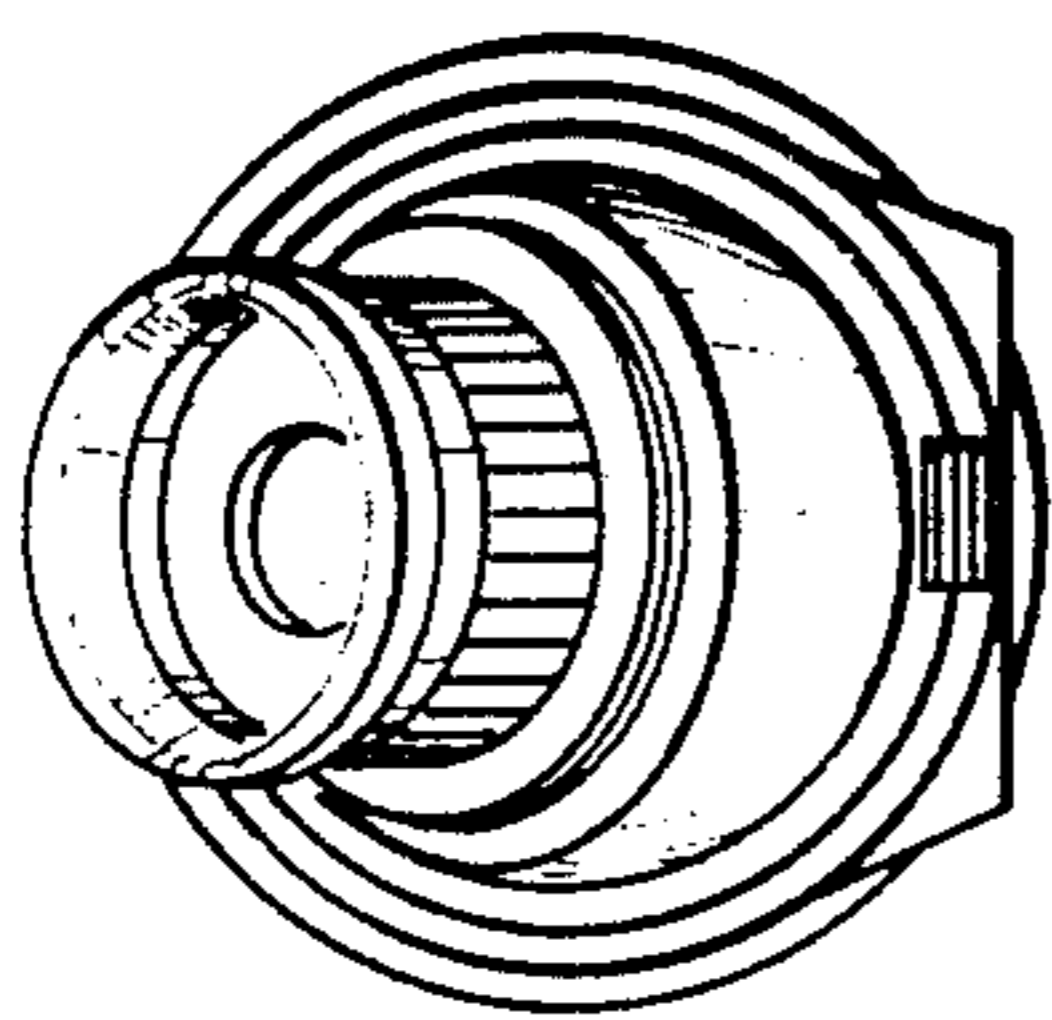


FIG. 3

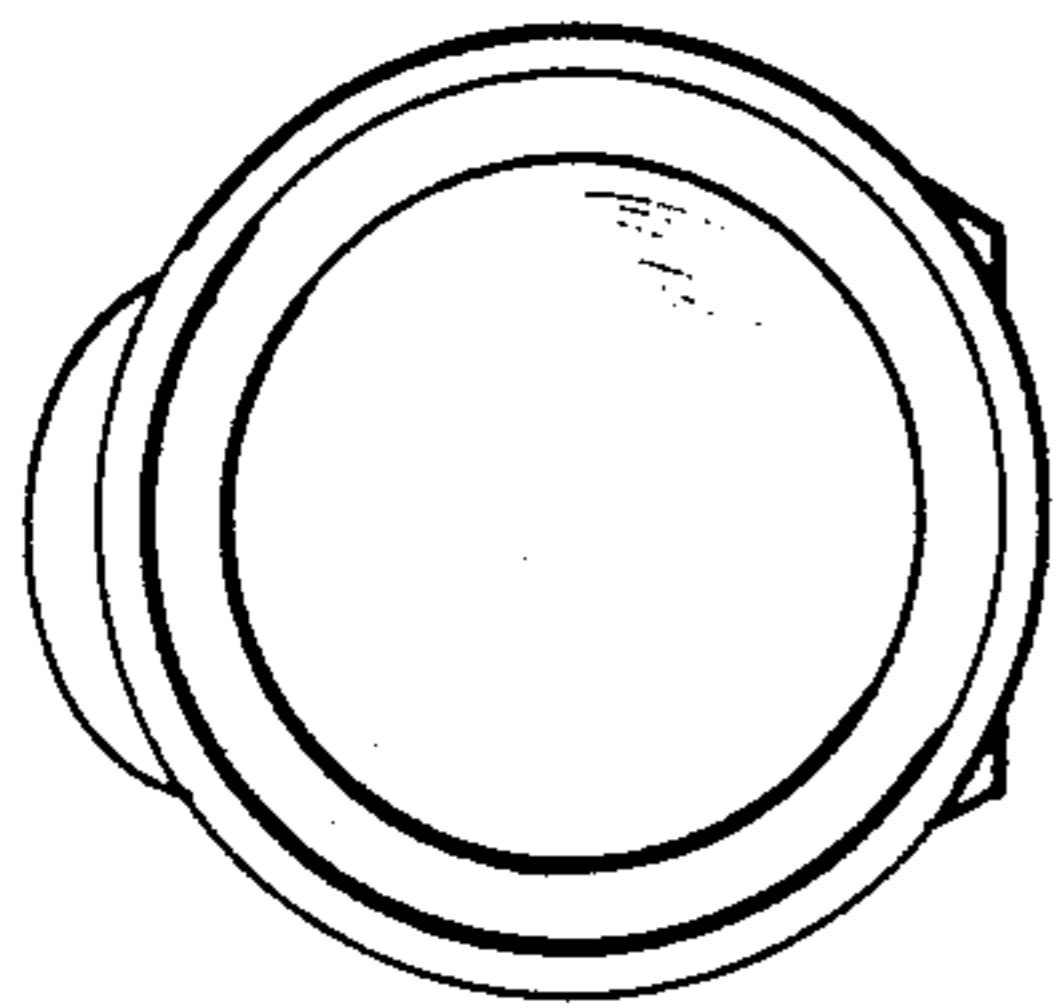


FIG. 5

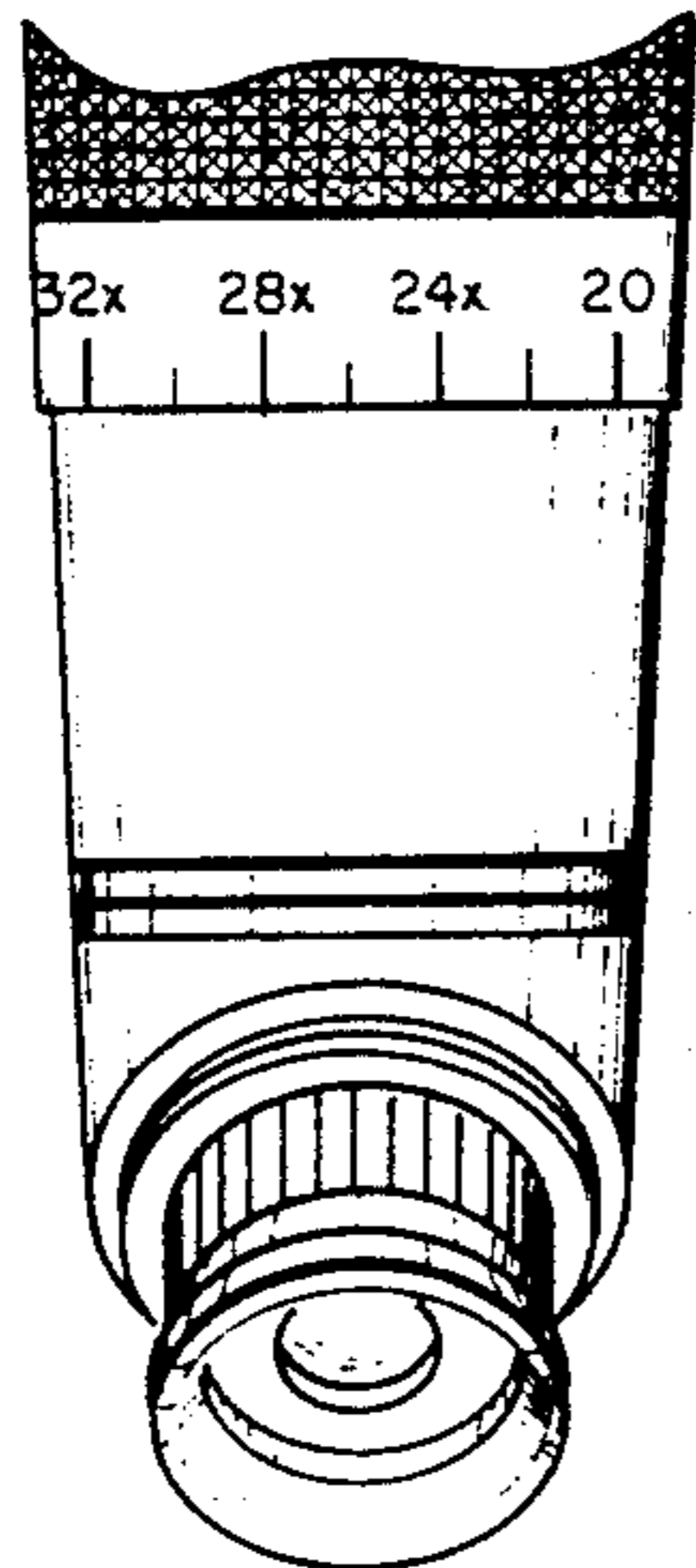


FIG. 4

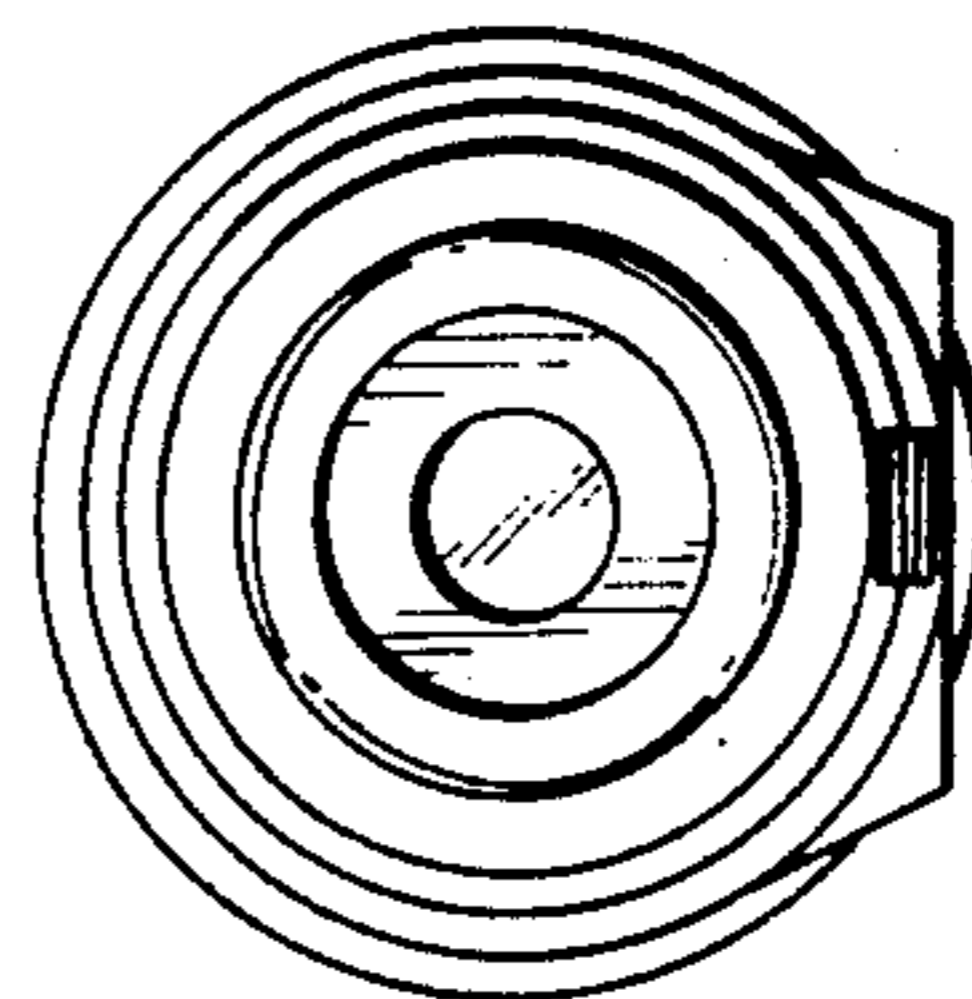


FIG. 6

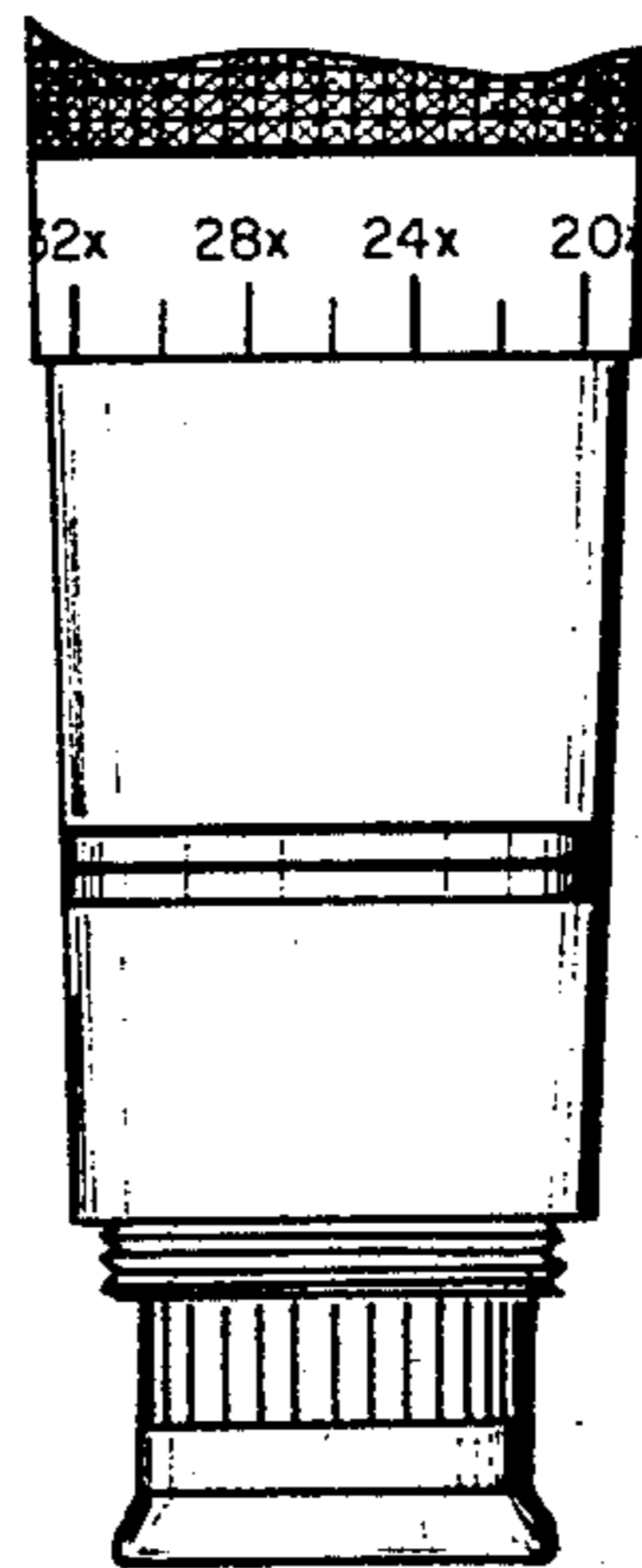


FIG. 7