

[54] WELDING ROBOT

[75] Inventors: Ryoji Nagatani, Nagasaki; Rikiya Iida, Takatsuki, both of Japan

[73] Assignee: Mitsubishi Denki Kabushiki Kaisha, Tokyo, Japan

[**] Term: 14 Years

[21] Appl. No.: 606,454

[22] Filed: May 2, 1984

[30] Foreign Application Priority Data

Feb. 3, 1984 [JP] Japan 59-3790

[52] U.S. Cl. D15/144; D15/199

[58] Field of Search D15/122, 199, 144; 901/14, 16, 18, 30, 42; 414/728, 729, 732, 738, 749; 228/45

[56] References Cited

U.S. PATENT DOCUMENTS

3,665,148 5/1972 Yasenchak 228/45

4,139,180	2/1979	Itoni	228/45
4,229,642	10/1980	Sakurai et al.	228/45
4,255,643	3/1981	Balfanz	901/42
4,356,378	10/1982	Cloos et al.	901/42
4,539,465	9/1985	Bosna	901/42
4,541,060	9/1985	Kogawa	901/14

Primary Examiner—B. J. Bullock

Attorney, Agent, or Firm—Wenderoth, Lind & Ponack

[57] CLAIM

The ornamental design for a welding robot, substantially as shown.

DESCRIPTION

FIG. 1 is a front elevational view of a welding robot, showing our new design;
 FIG. 2 is a rear elevational view thereof;
 FIG. 3 is a left side elevational view thereof;
 FIG. 4 is a right side elevational view thereof;
 FIG. 5 is a top plan view thereof;
 FIG. 6 is a bottom plan view thereof; and
 FIG. 7 is a front, top and right side perspective view thereof.

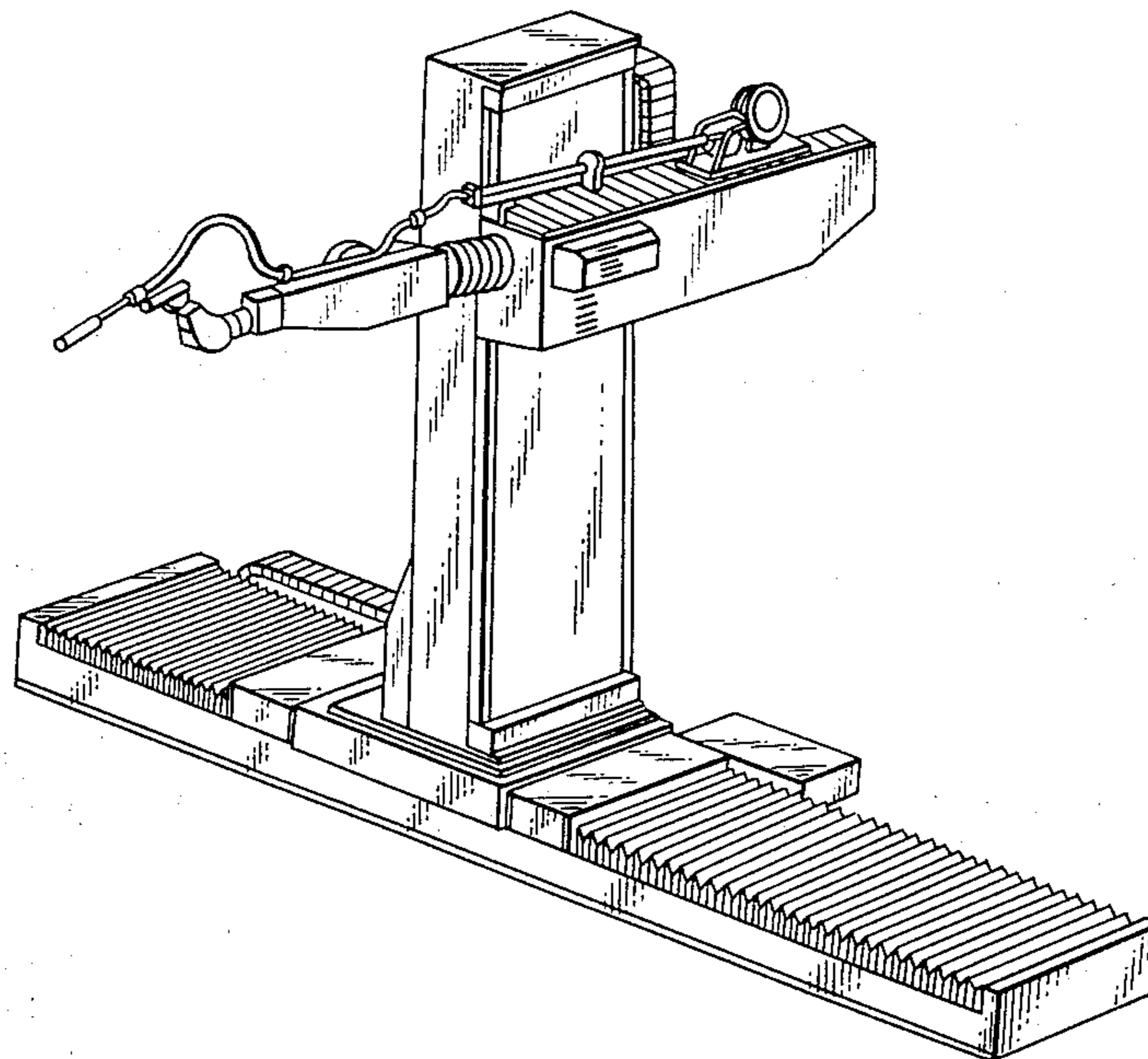


FIG. 1

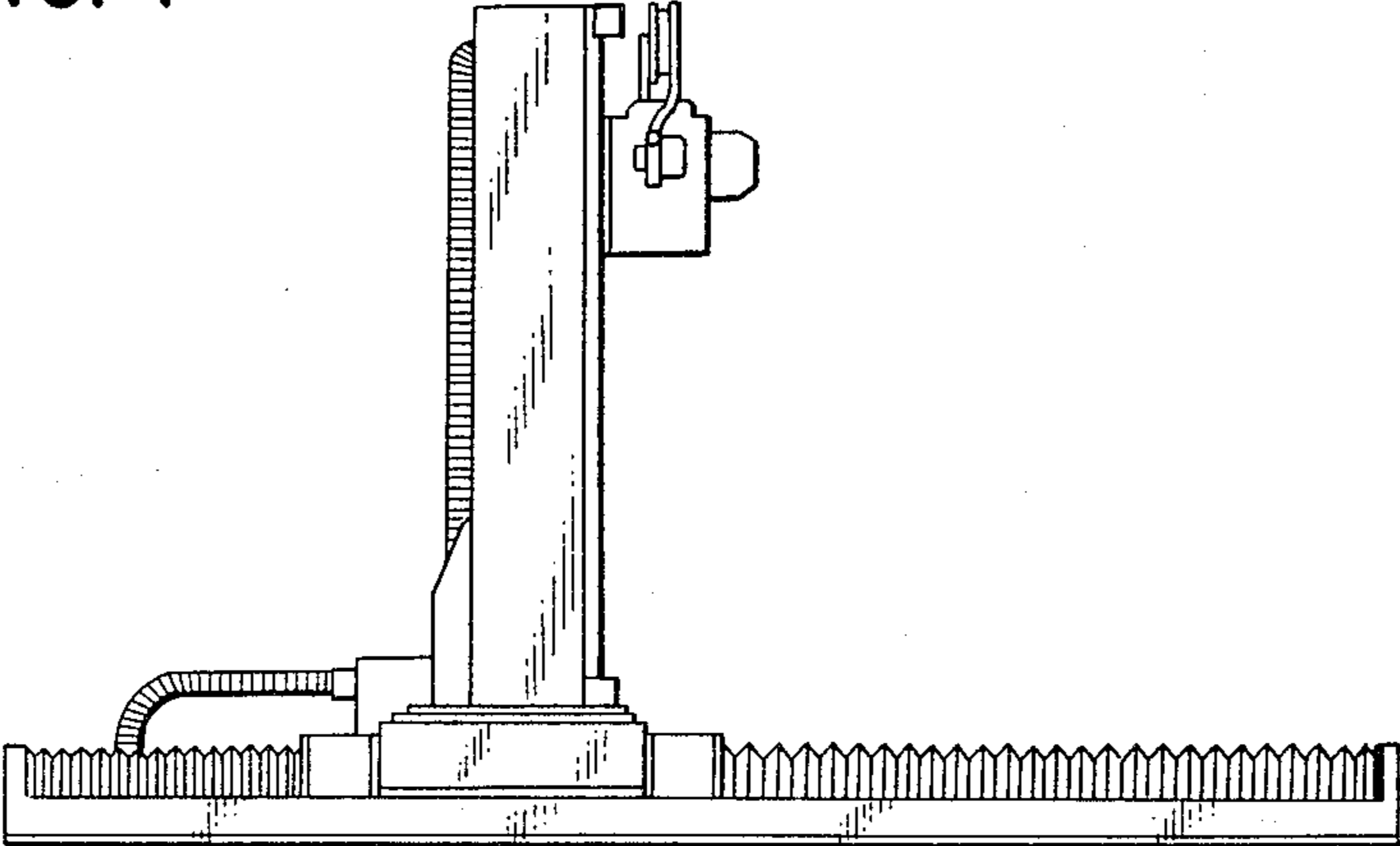


FIG. 2

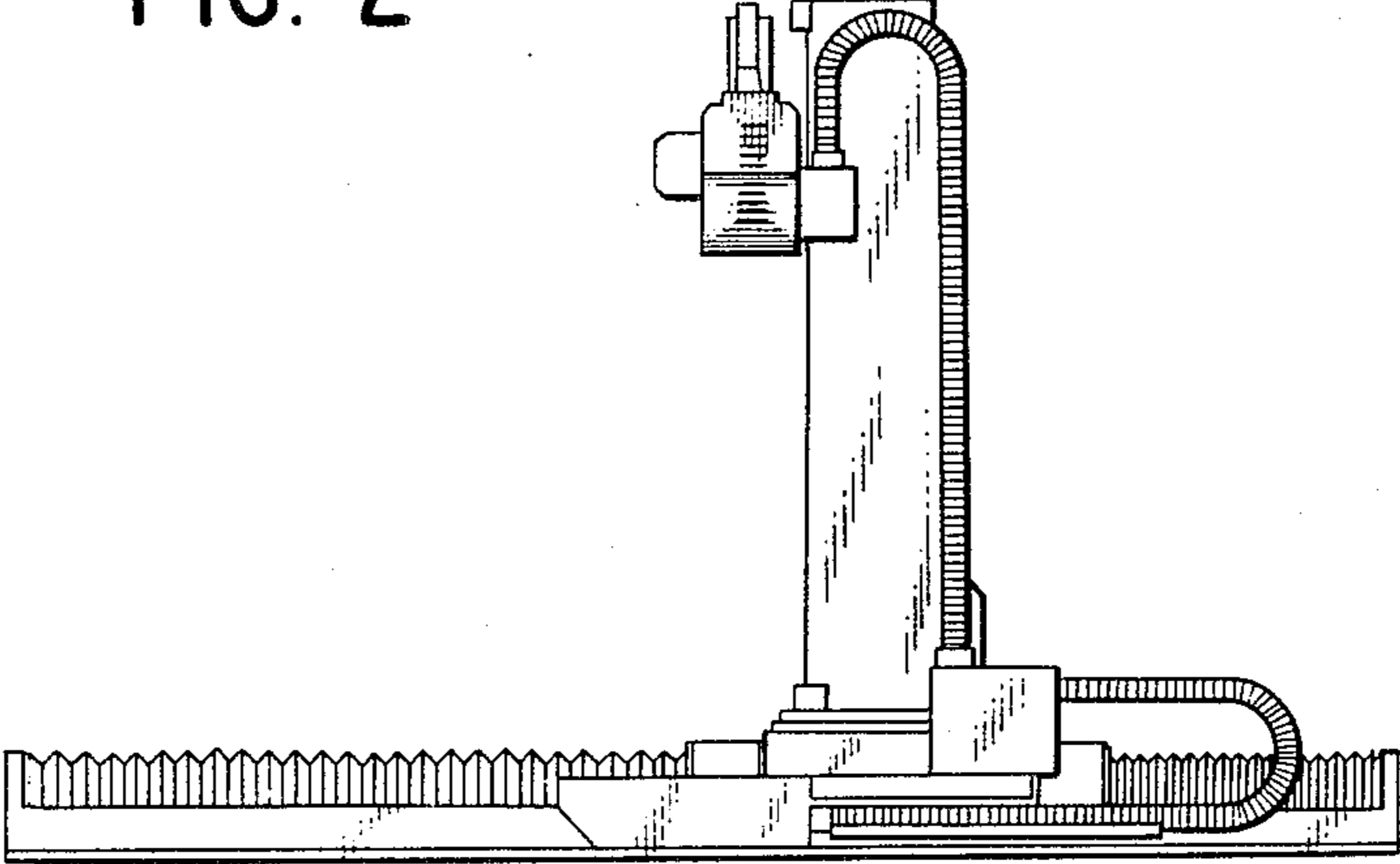


FIG. 3

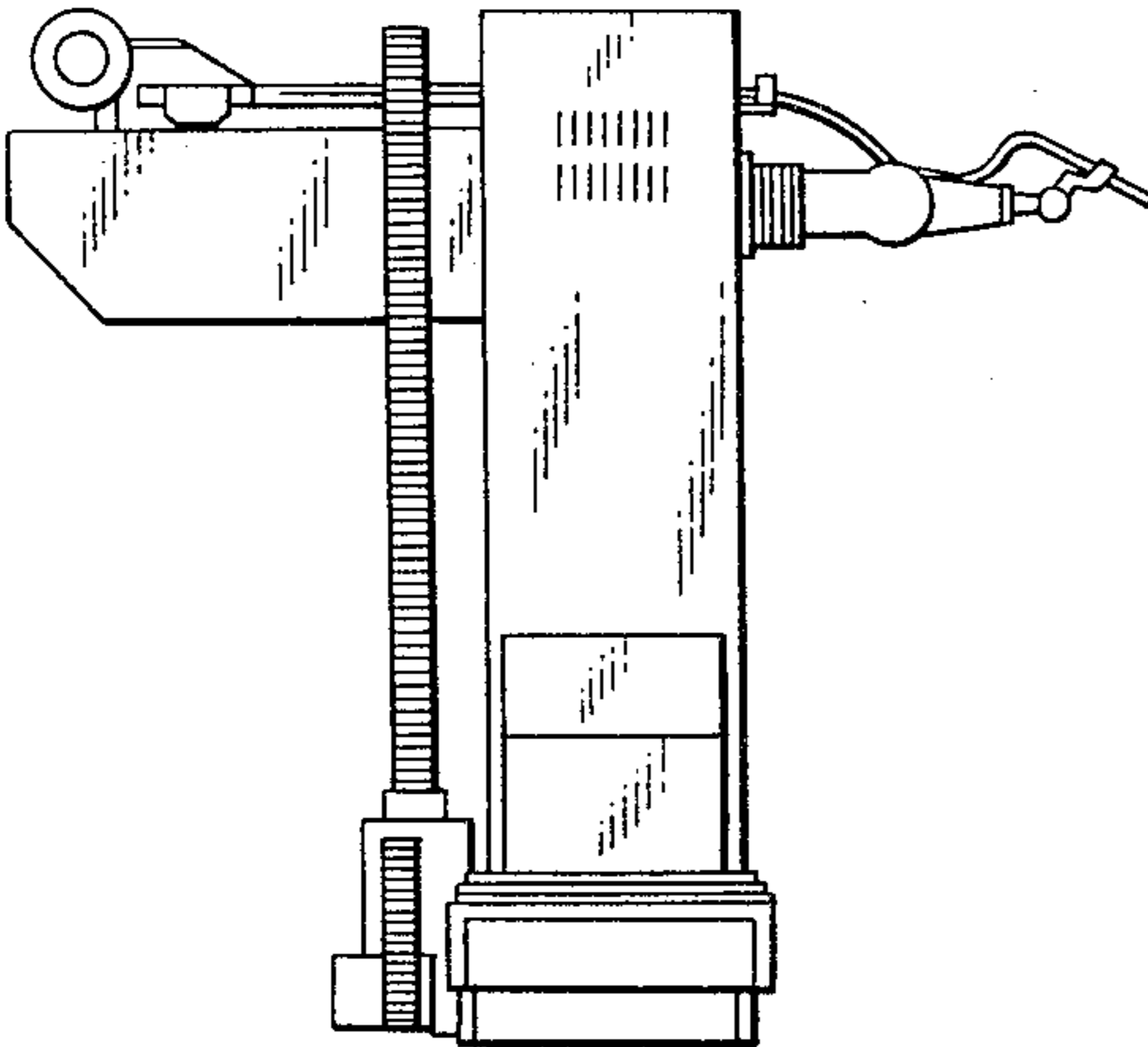


FIG. 4

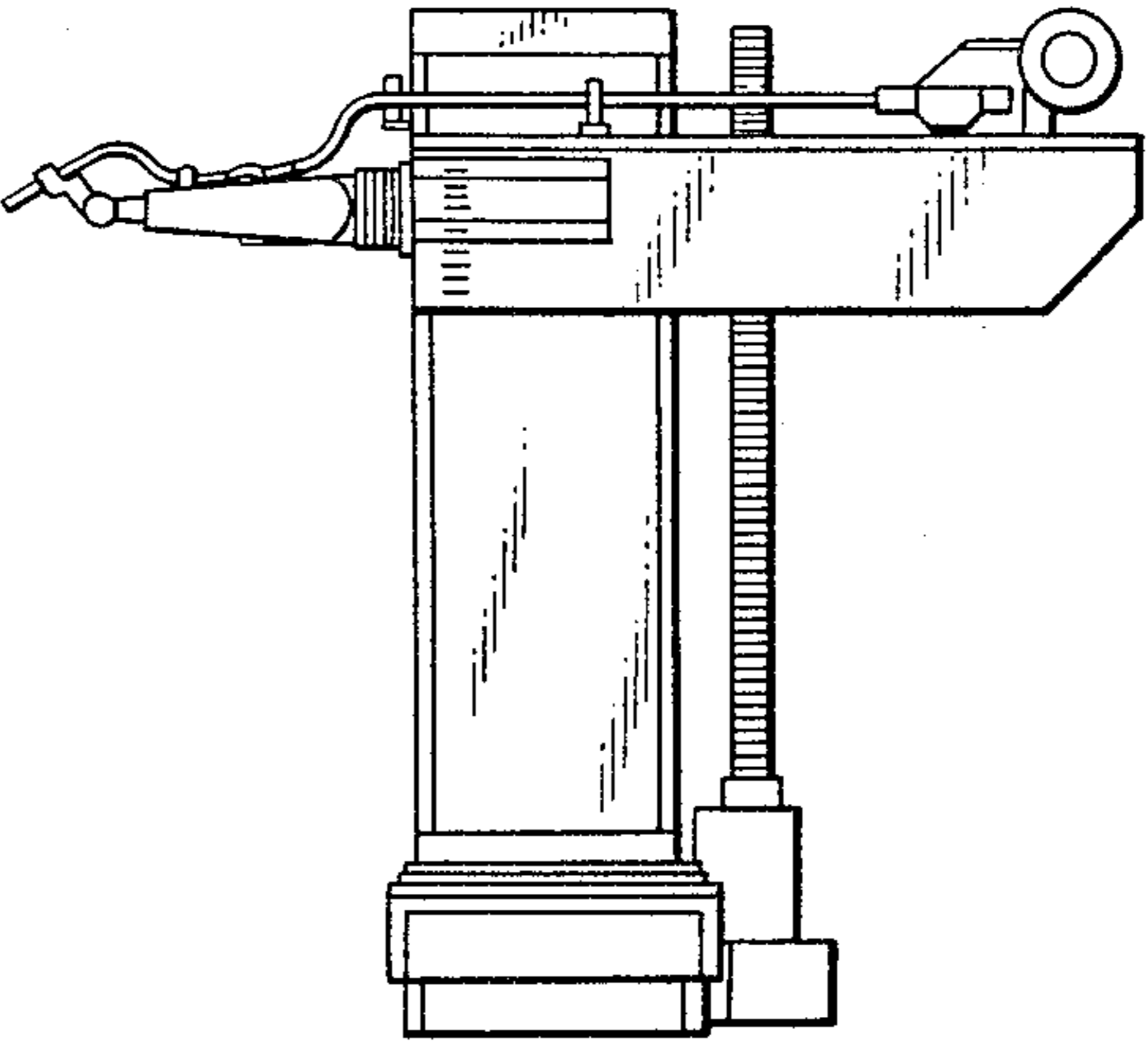


FIG. 5

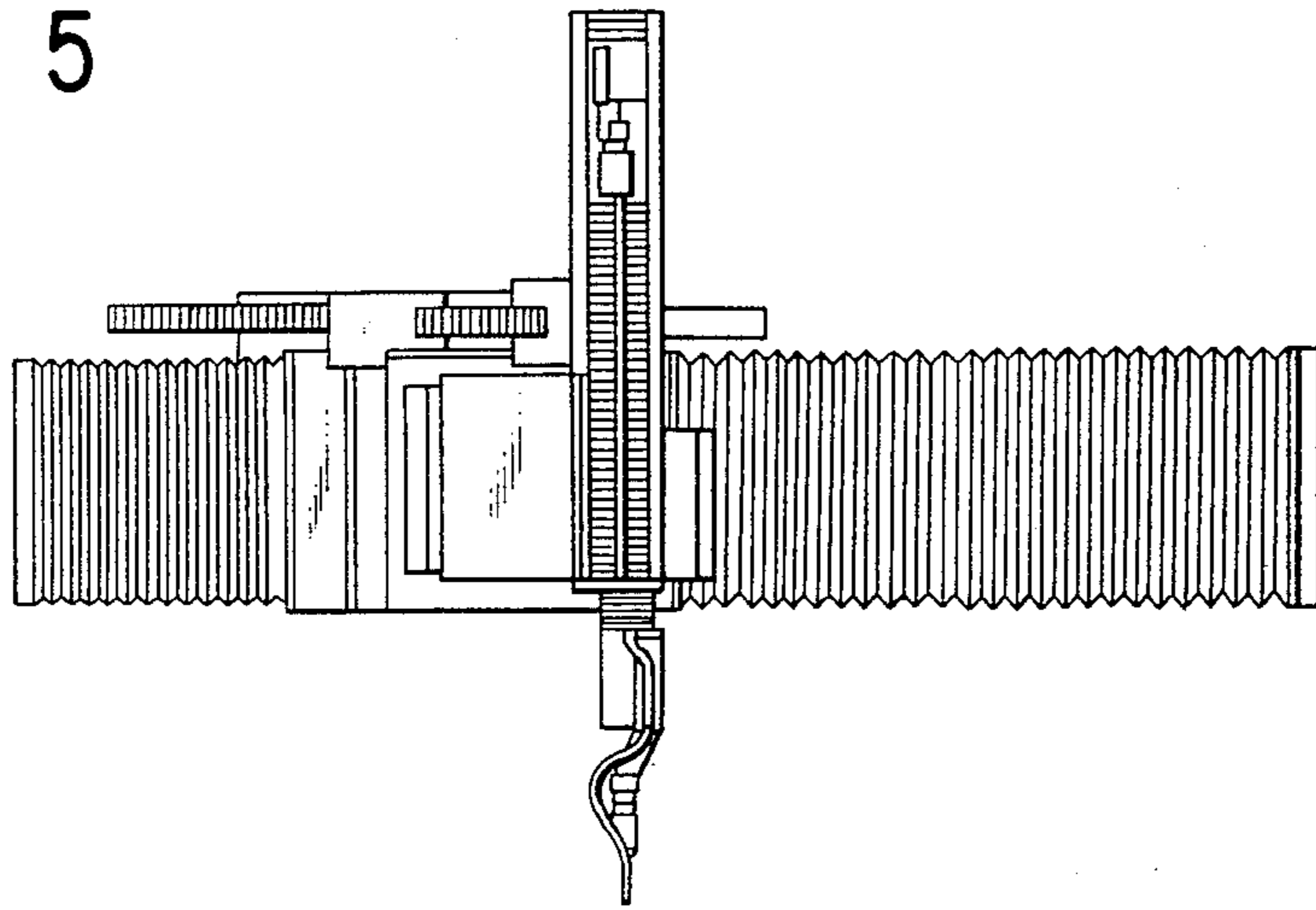


FIG. 6

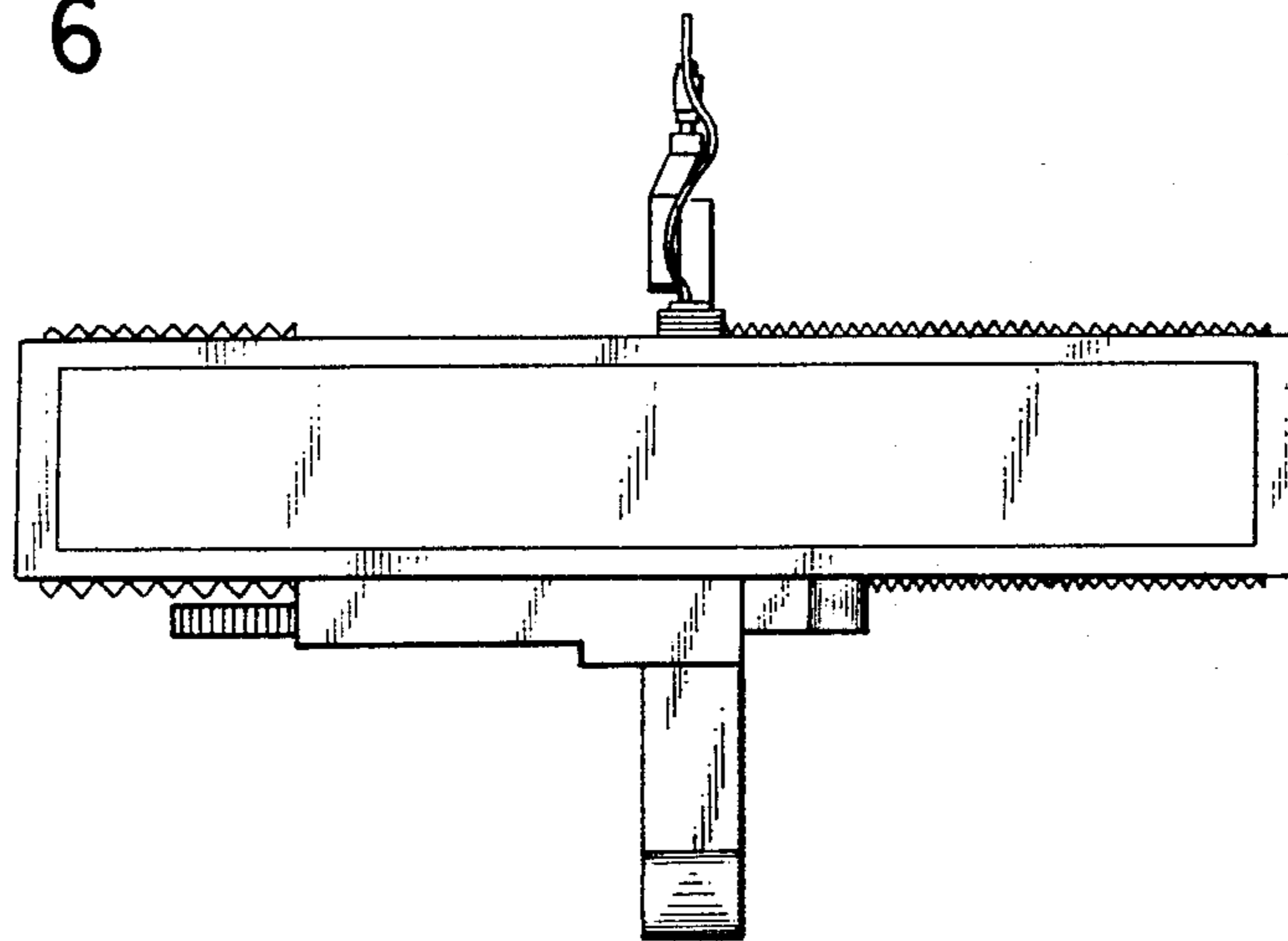


FIG. 7

