

United States Patent [19]

Lappartient

[11] Patent Number: **Des. 287,134**

[45] Date of Patent: **** Dec. 9, 1986**

[54] **POT-TYPE MALAXATOR**

[76] Inventor: **Philippe Lappartient**, 8, square Chanton, 92200 Neuilly-sur-Seine, France

[**] Term: **14 Years**

[21] Appl. No.: **462,116**

[22] Filed: **Jan. 28, 1983**

[52] U.S. Cl. **D15/122**

[58] Field of Search 366/292, 184, 77, 309, 366/311-315; D15/144, 199, 122

[56] **References Cited**

U.S. PATENT DOCUMENTS

3,155,376 11/1964 Mollenbruck 366/77

3,804,304 4/1974 Richter 366/184 X
4,123,801 10/1978 Armanet 366/292
4,199,266 4/1980 Giusti 366/312 X

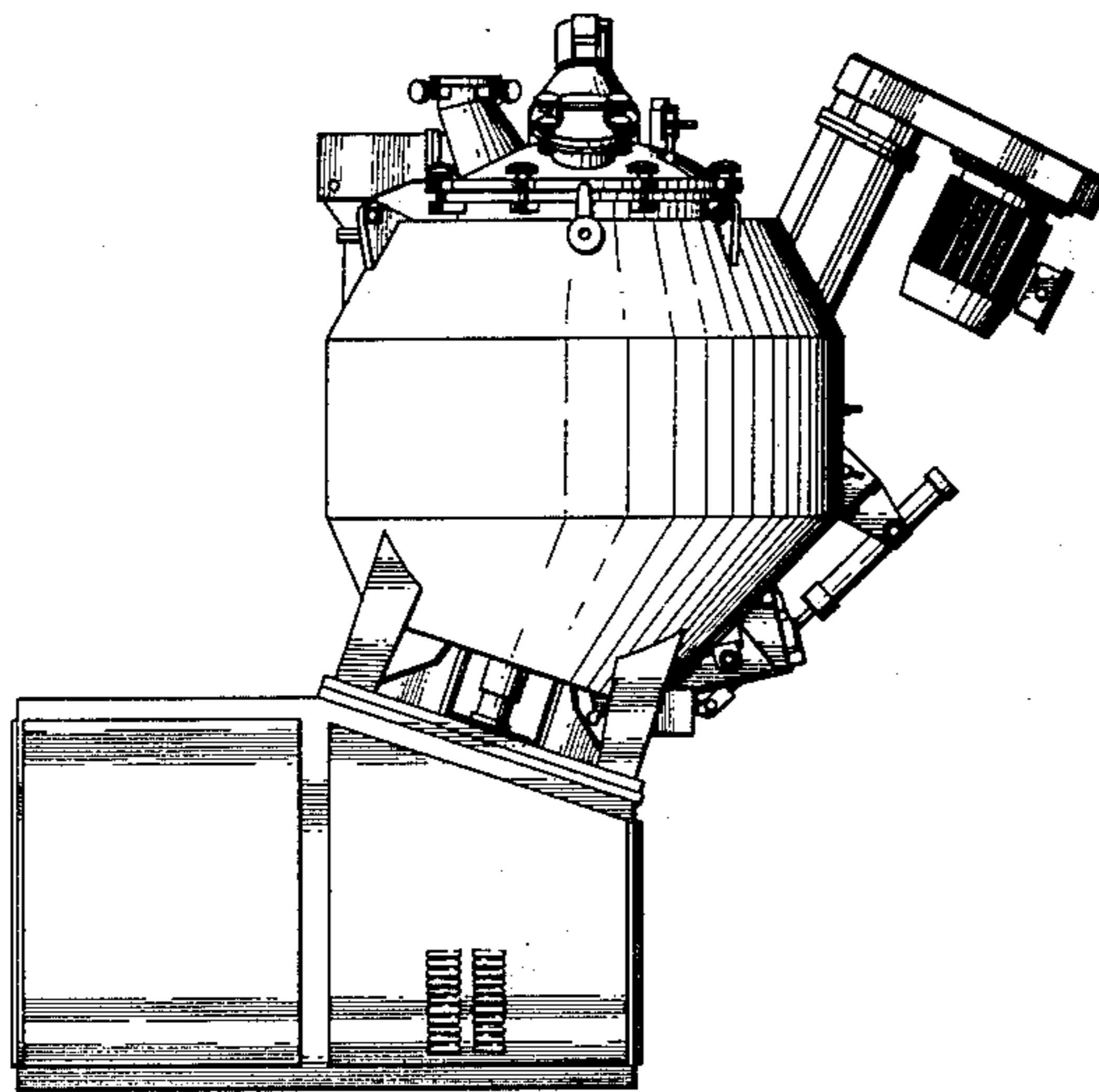
Primary Examiner—Catherine E. Kemper
Attorney, Agent, or Firm—Parkhurst & Oliff

[57] **CLAIM**

The ornamental design for a pot-type malaxator, as shown.

DESCRIPTION

FIG. 1 is a left side elevational view of a pot-type malaxator, showing my new design;
FIG. 2 is a front elevational view thereof;
FIG. 3 is a top plan view thereof;
FIG. 4 is a rear elevational view thereof;
FIG. 5 is a right side elevational view thereof.



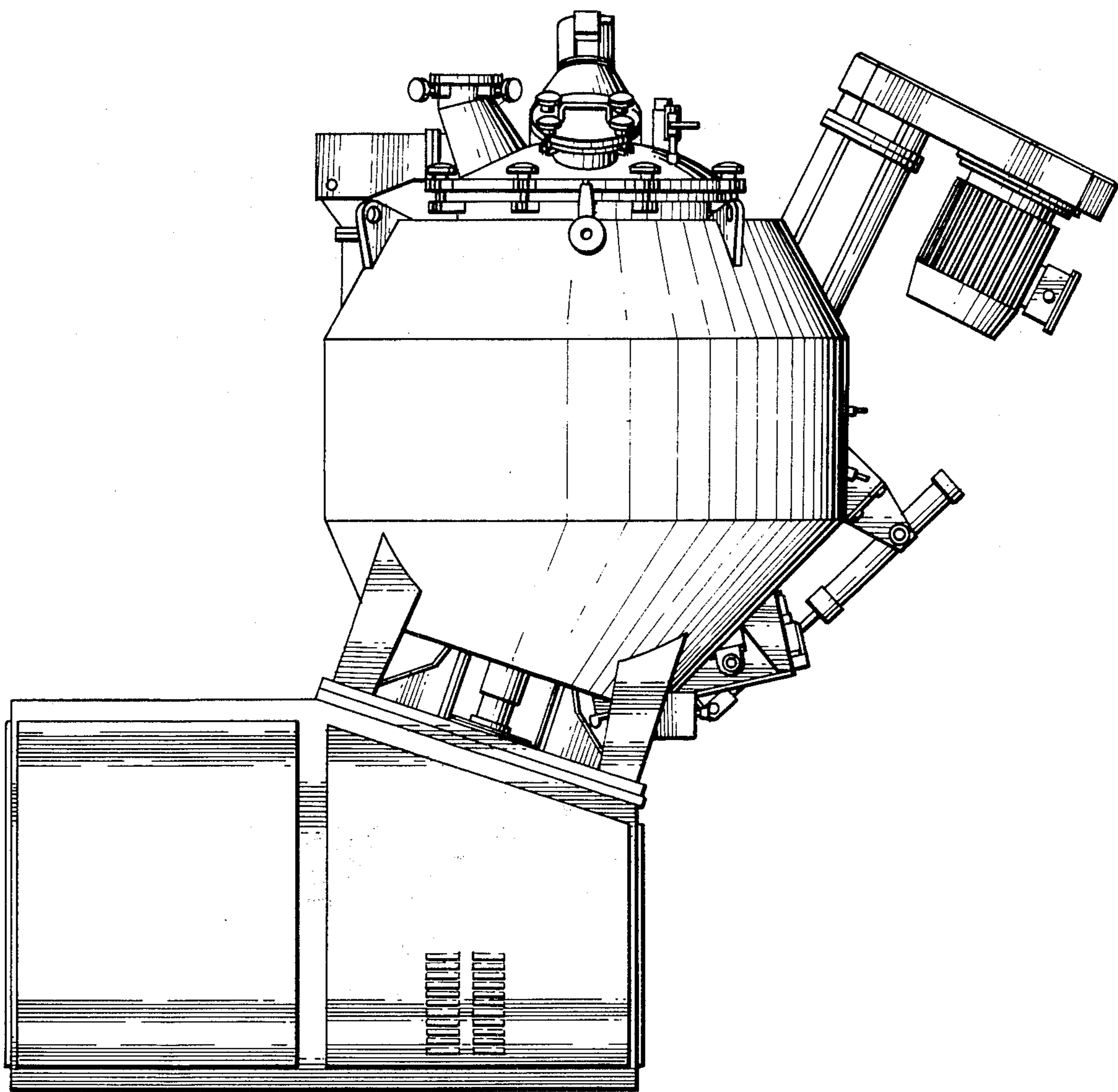


FIG. 1

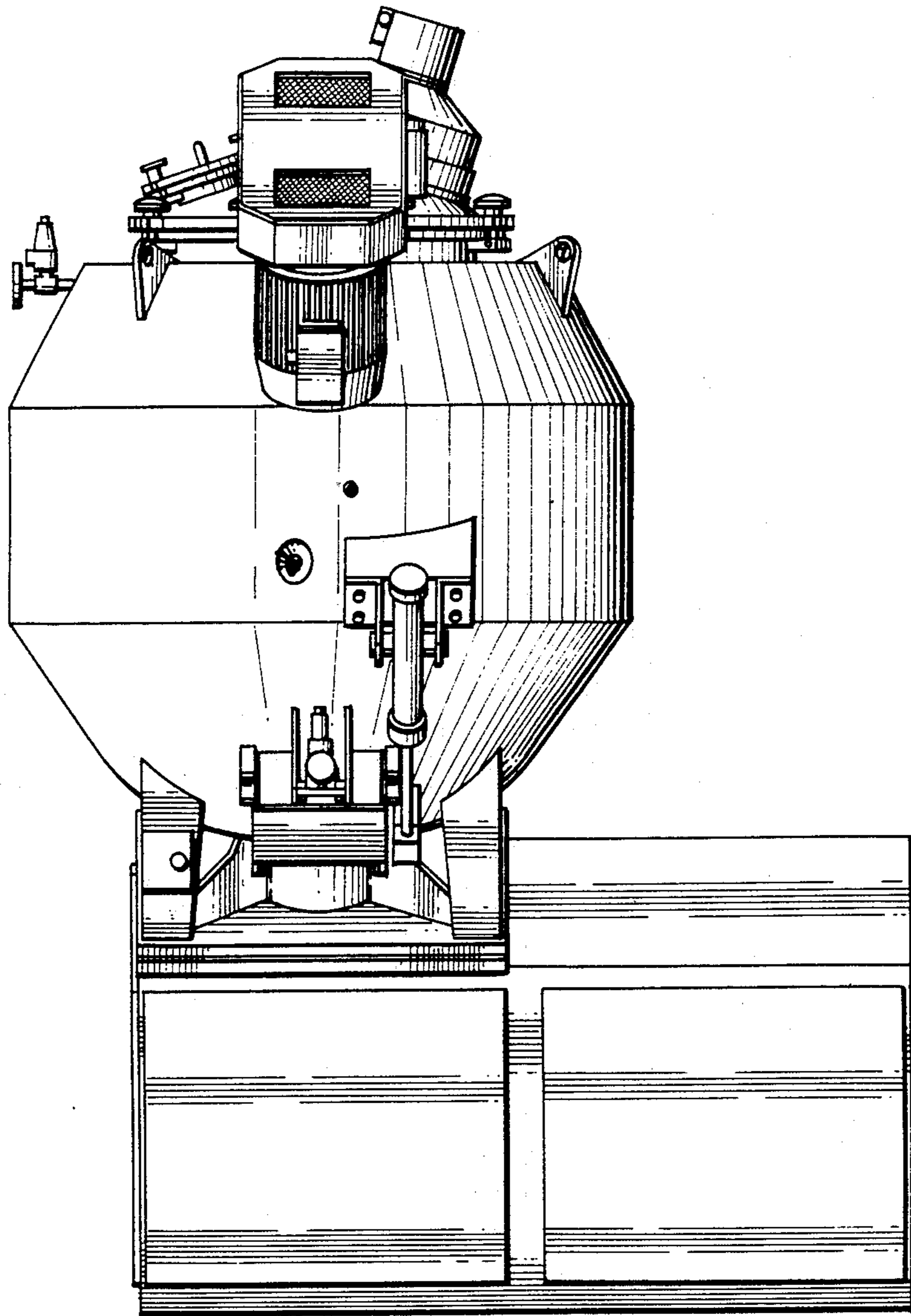


FIG. 2

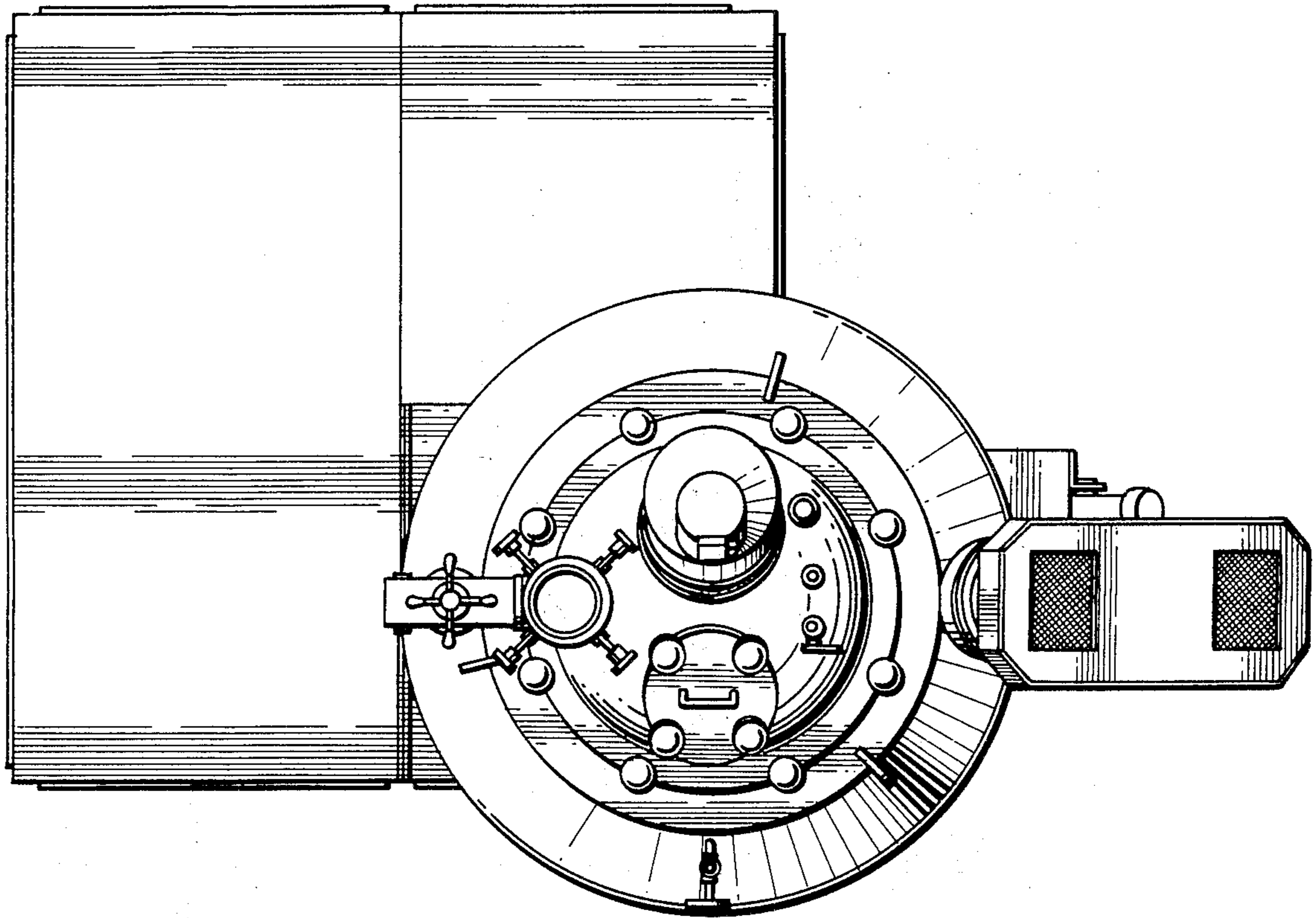


FIG. 3

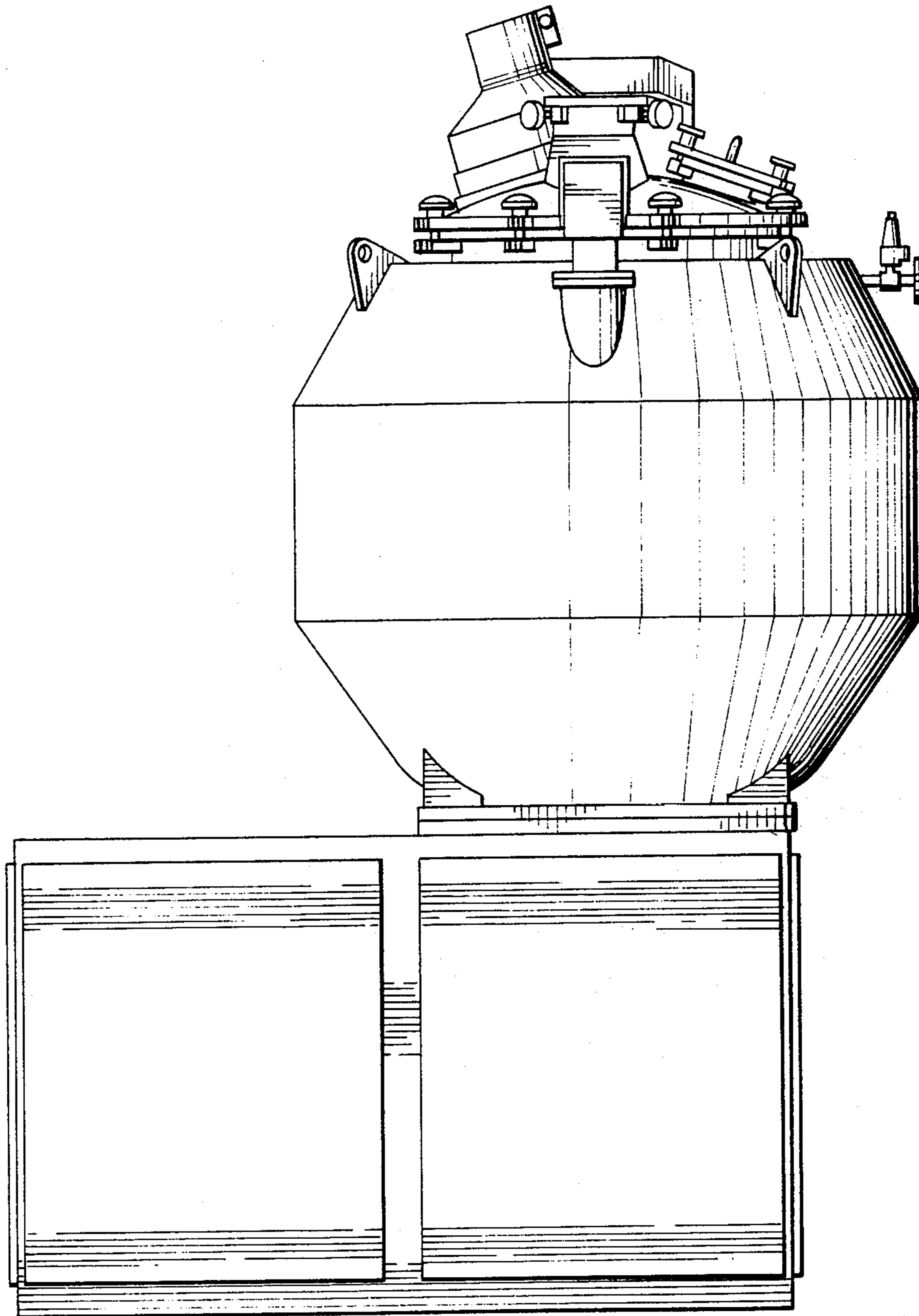


FIG. 4

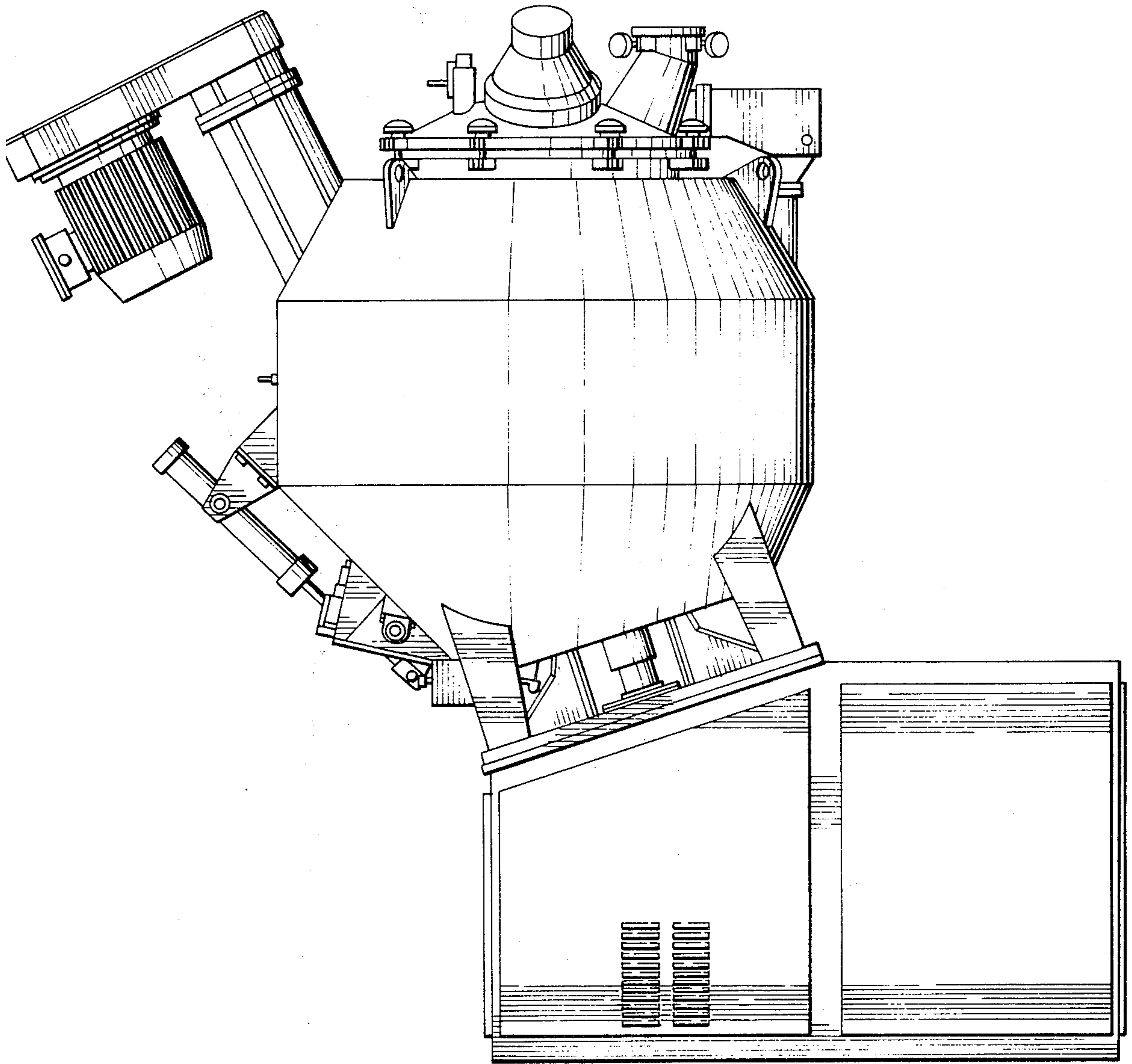


FIG. 5