

[54] BLADE FOR SOIL MIXER

[76] Inventor: William A. Forbes, P.O. Box 1871,
Westlock, Alberta T0G 2L0, Canada

[**] Term: 14 Years

[21] Appl. No.: 703,561

[22] Filed: Feb. 15, 1985

[52] U.S. Cl. D15/19; D15/28;
366/325

[58] Field of Search D15/10, 13, 19, 28;
366/64, 325, 320, 603; 111/7; 222/35

[56] References Cited

U.S. PATENT DOCUMENTS

3,327,634 6/1967 Whiteman, Jr. 366/64

3,897,723 8/1975 Lucy, Jr. et al. 366/325
4,060,225 11/1977 Cunningham D15/19
4,157,872 6/1979 Davido, Sr. 366/64
4,194,925 3/1980 Holbrook et al. 366/64

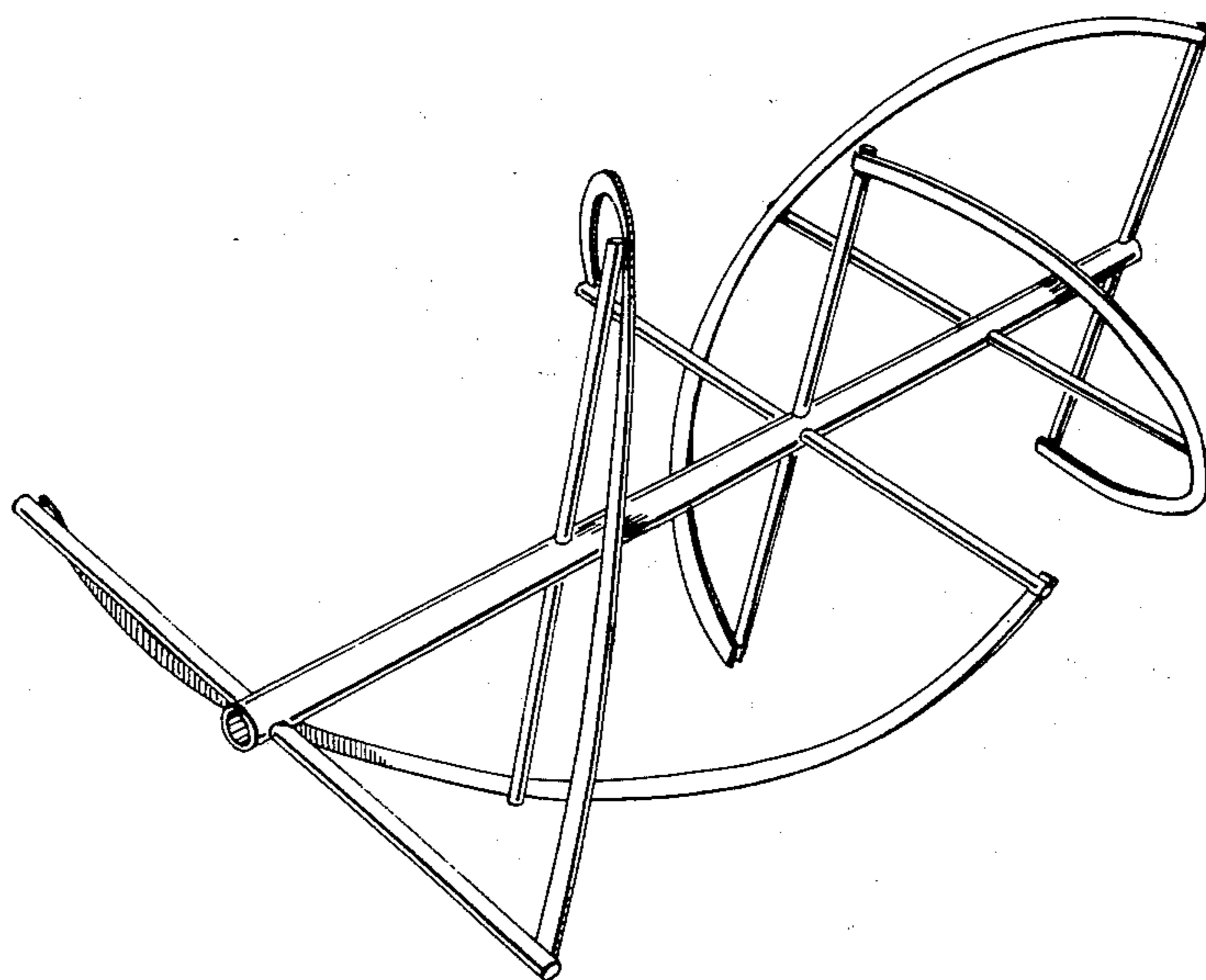
Primary Examiner—B. J. Bullock
Assistant Examiner—Suzanne N. Gitlin
Attorney, Agent, or Firm—George H. Dunsmuir

[57] CLAIM

The ornamental design for a blade for soil mixer, is as shown and described.

DESCRIPTION

FIG. 1 is a side elevational view of a blade for soil mixer showing my new design;
FIG. 2 is an end elevational view thereof;
FIG. 3 is a perspective view thereof.



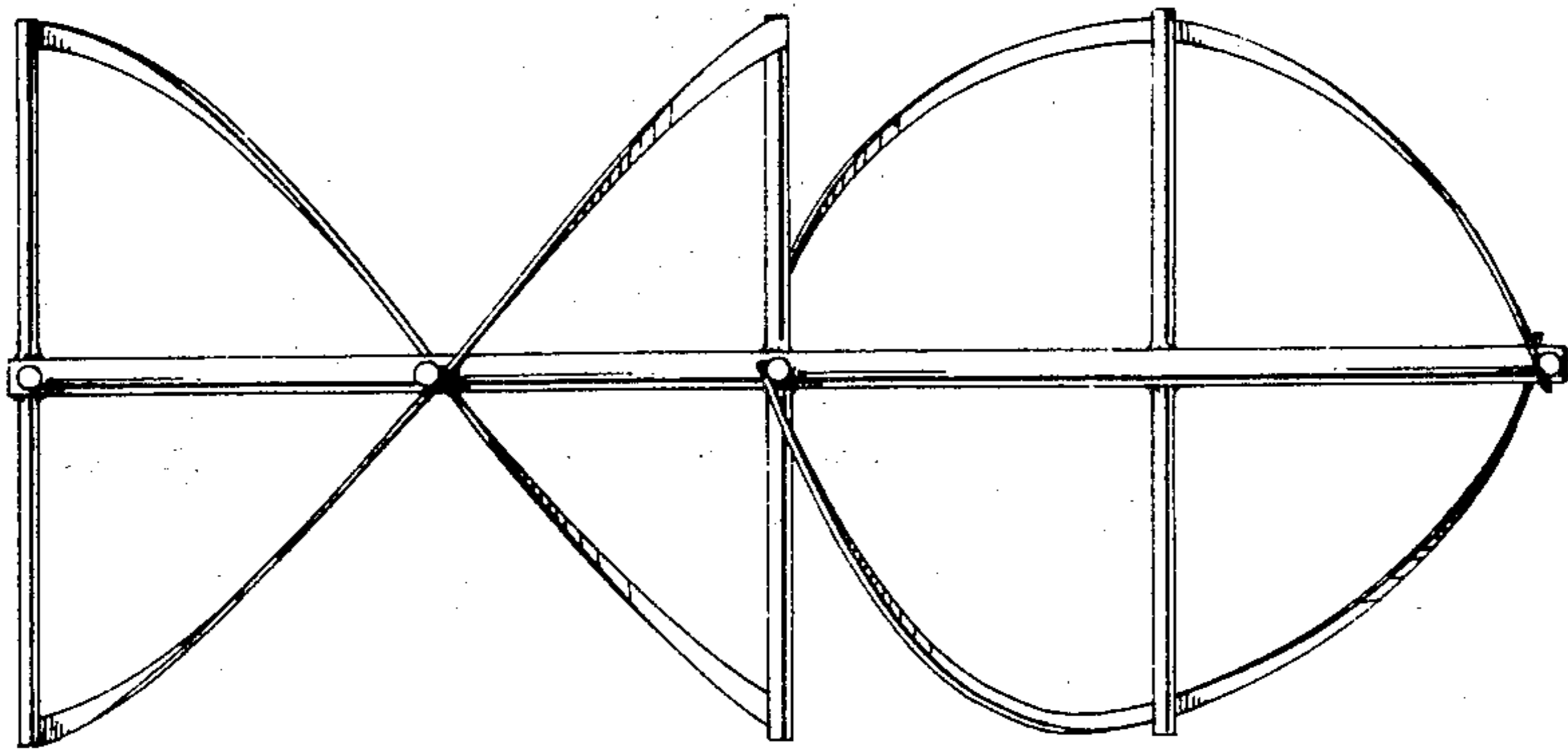


FIG. 1

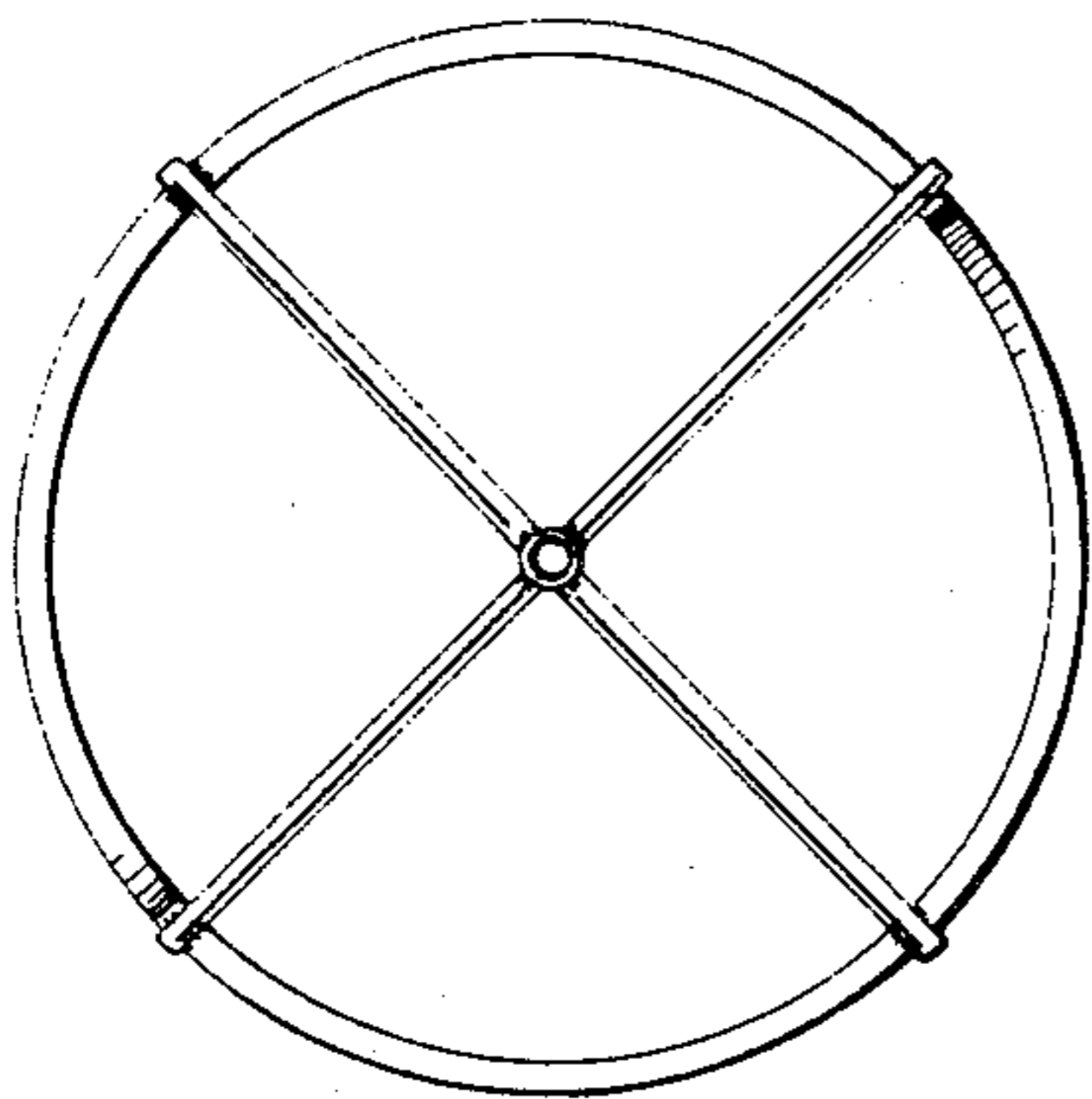


FIG. 2

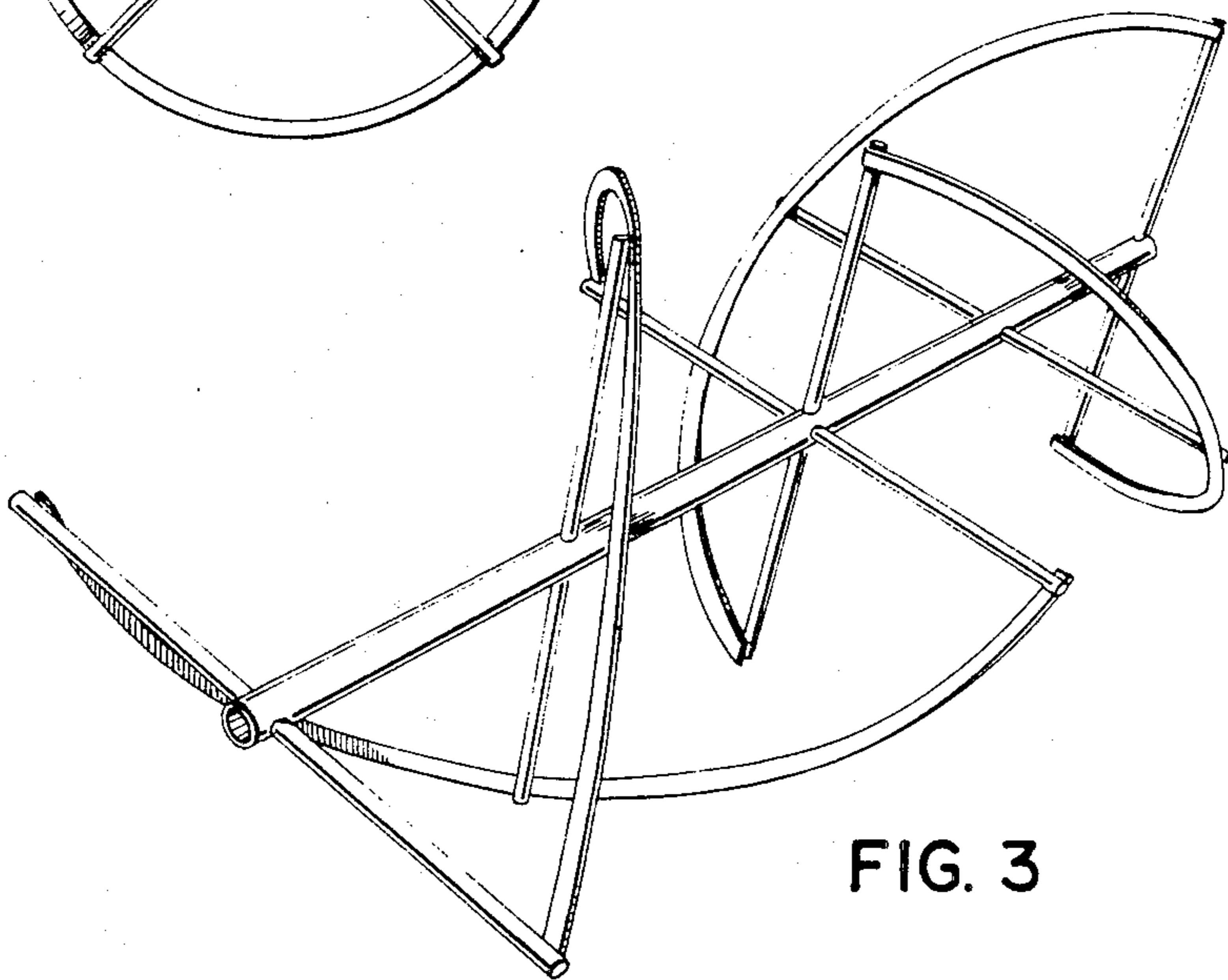


FIG. 3