

[54] NOSE ADAPTER PLATE FOR AUTOMOBILE STARTERS

[75] Inventor: McLane Tilton, Jr., Solvang, Calif.

[73] Assignee: Tilton Engineering, Inc., Buellton, Calif.

[**] Term: 14 Years

[21] Appl. No.: 598,450

[22] Filed: Apr. 9, 1984

[52] U.S. Cl. D15/5

[58] Field of Search D15/1, 2, 5; 123/197 R, 123/198 E, 195 A; 290/38 R, 38 C, DIG. 1

[56] References Cited

U.S. PATENT DOCUMENTS

- D. 243,714 3/1977 Younger D15/5
- D. 266,167 9/1982 Lindbrandt D15/5
- D. 267,471 1/1983 Mundorf D15/5

OTHER PUBLICATIONS

1975 Honest Charley & Mr. Cycle catalogue, p. 26, Customer Carbuerator Adapter.

Primary Examiner—Wallace R. Burke
Assistant Examiner—Brian N. Vinson
Attorney, Agent, or Firm—Harry W. Brelsford

[57] CLAIM

The ornamental design for a nose adapter plate for automobile starters, as shown.

DESCRIPTION

FIG. 1 is an inverted rear elevational view of a nose adapter plate for automobile starters showing my new design;

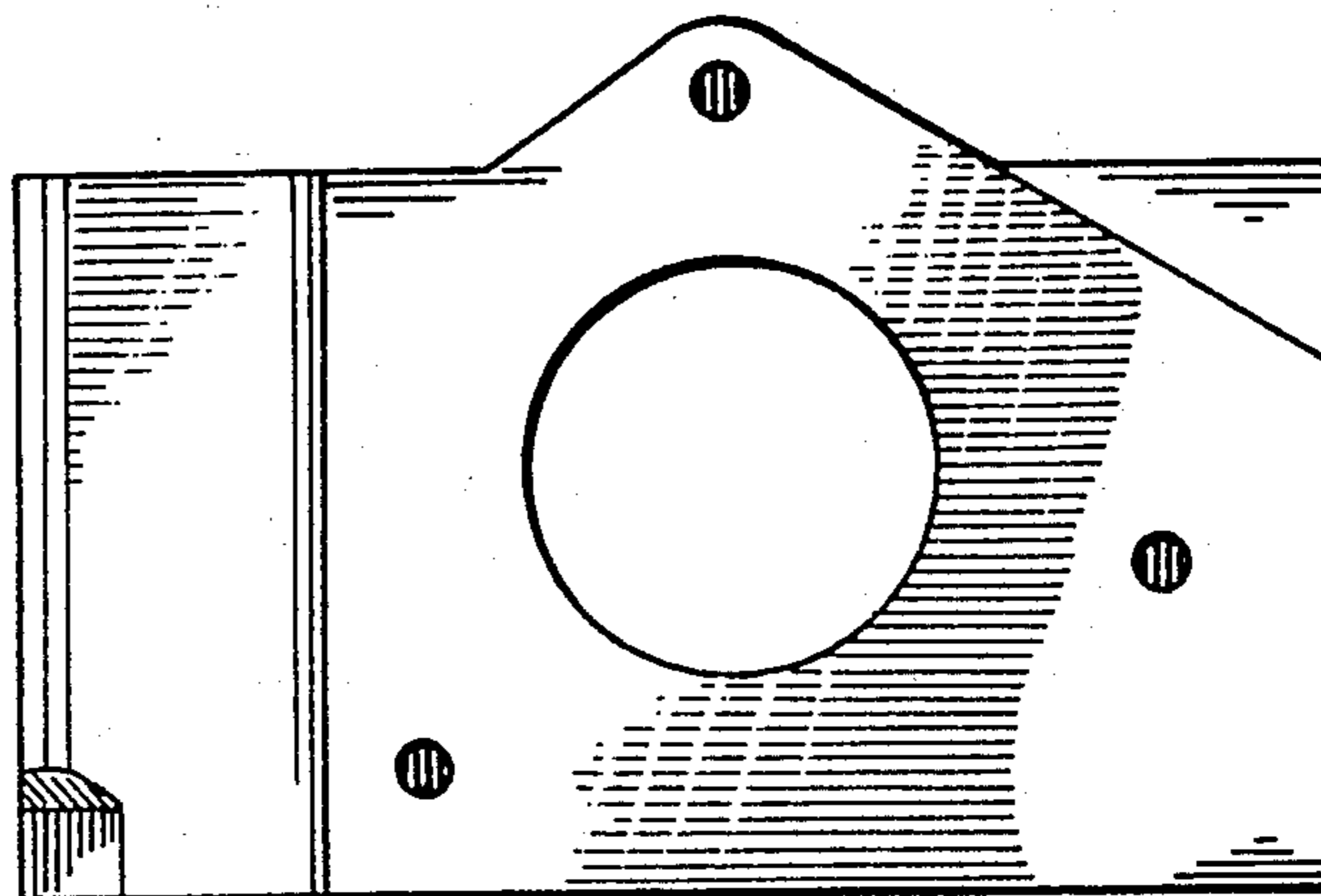
FIG. 2 is a top plan view thereof;

FIG. 3 is a front elevational view thereof;

FIG. 4 is a bottom plan view thereof;

FIG. 5 is a left side elevational view thereof; and

FIG. 6 is a right side elevational view thereof.



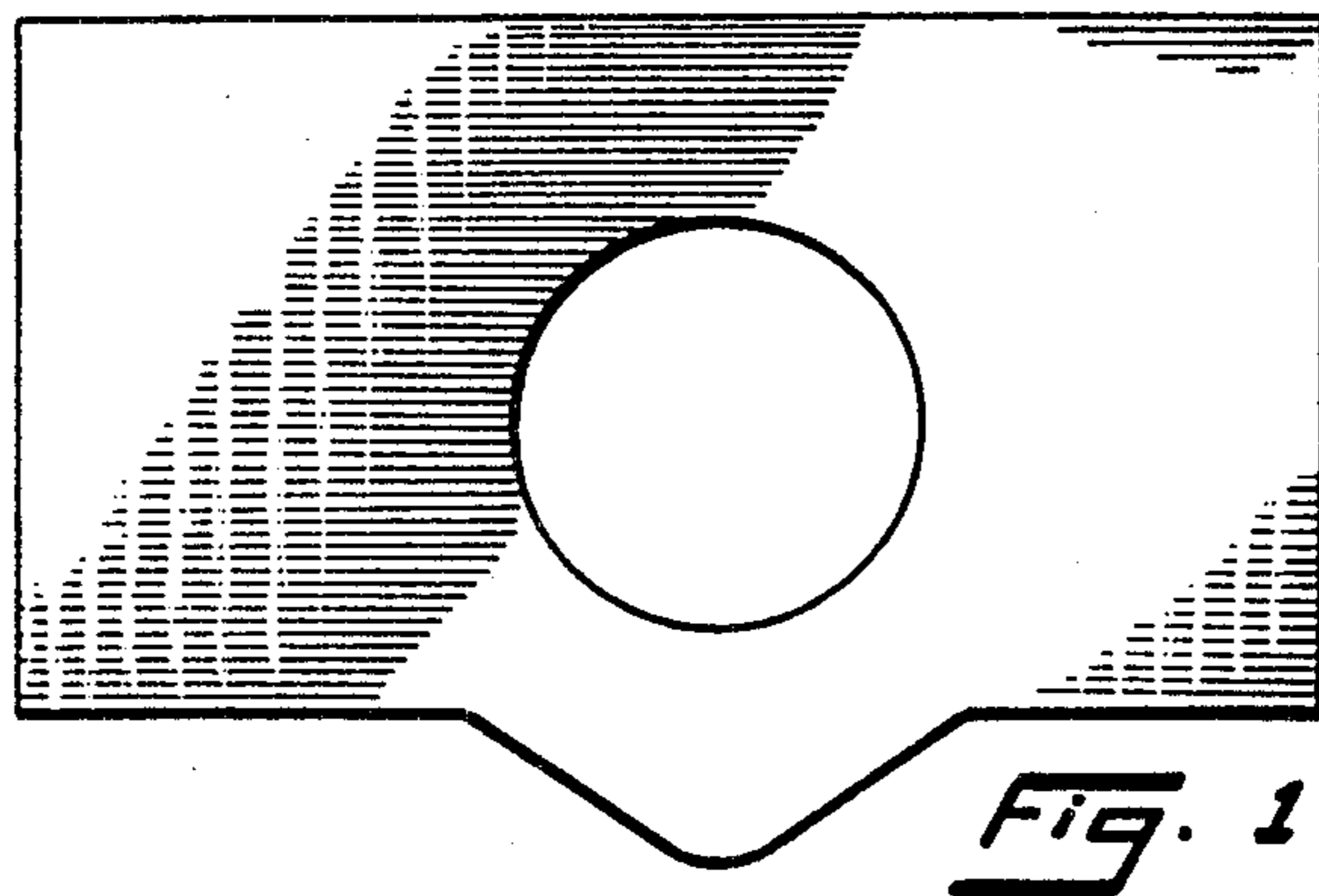


Fig. 1

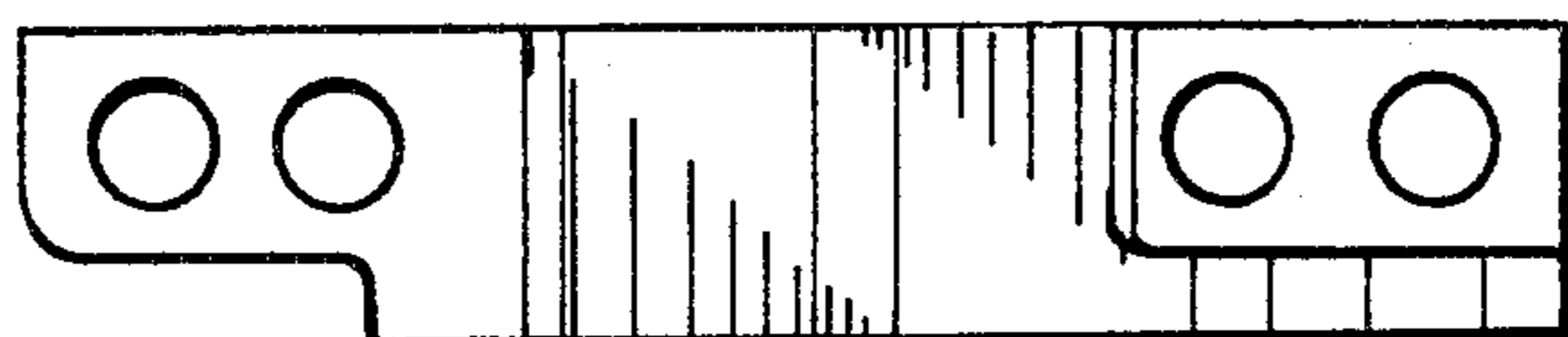


Fig. 2



Fig. 5

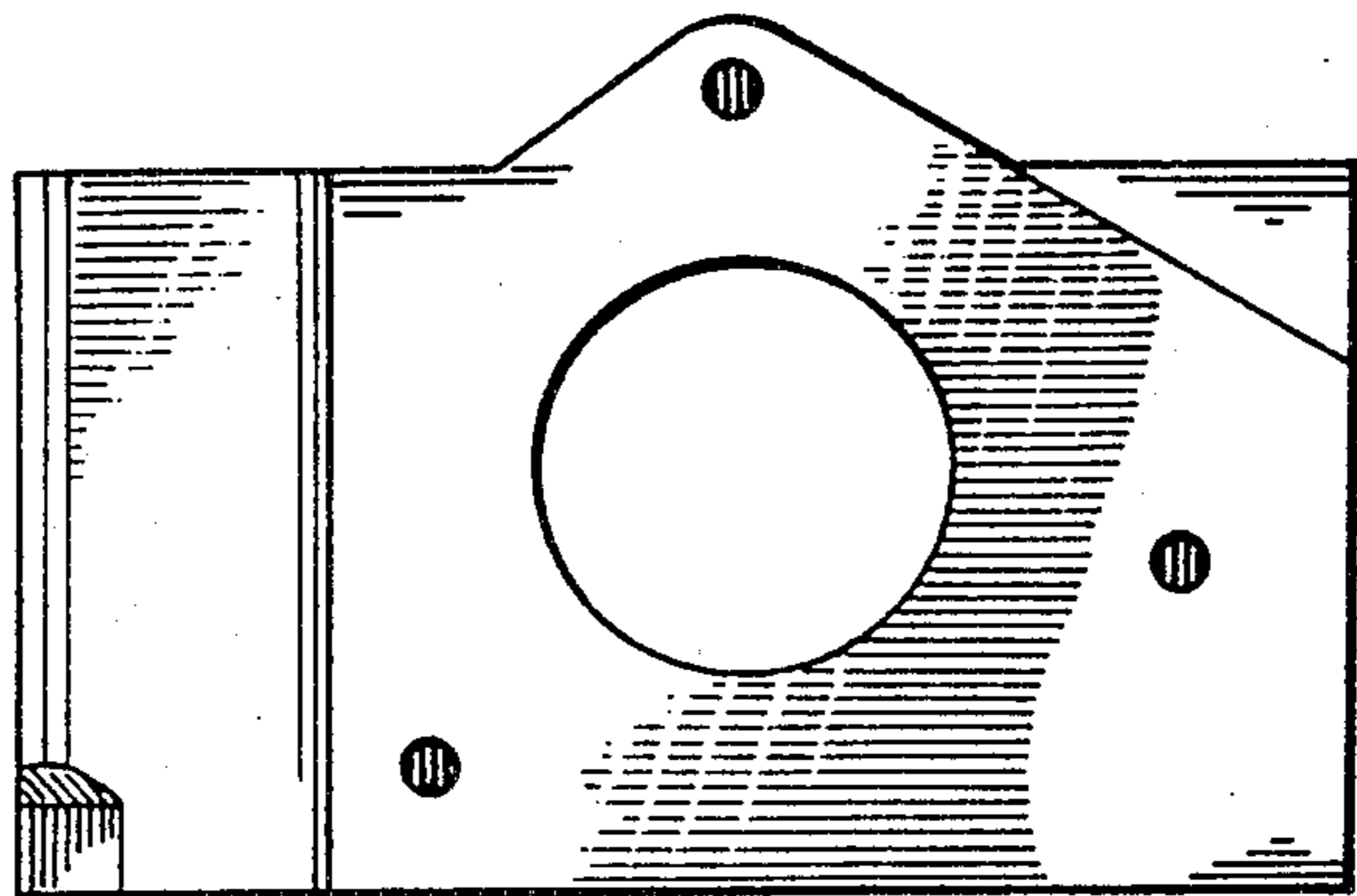


Fig. 3



Fig. 6

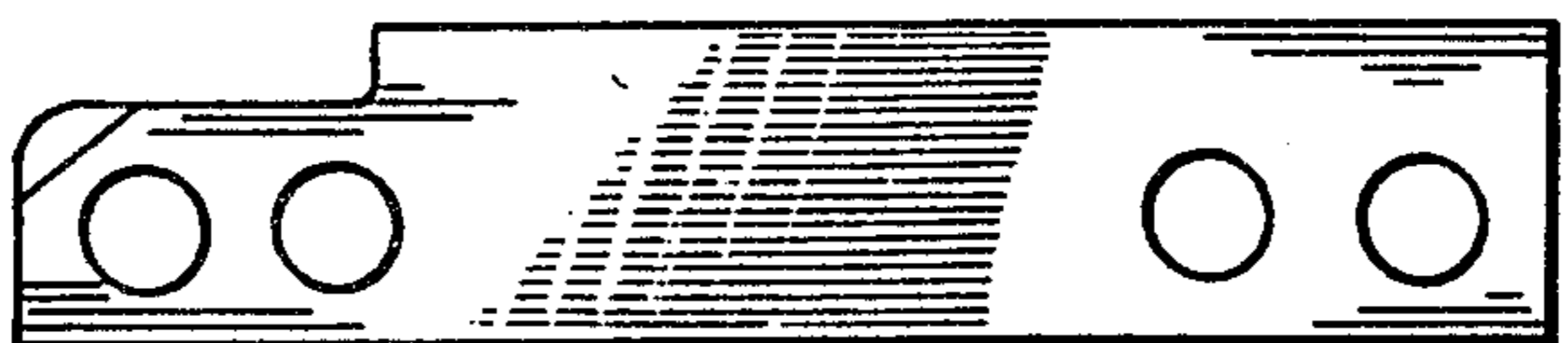


Fig. 4