

[54] ENGINE FOR MOTORCYCLES

4,204,486 5/1980 Nakagawa et al. .... 123/41.74

[75] Inventor: Kuniyuki Yamamoto, Tokyo, Japan

[73] Assignee: Honda Giken Kogyo Kabushiki Kaisha, Tokyo, Japan

[\*\*] Term: 14 Years

[21] Appl. No.: 740,967

[22] Filed: Jun. 4, 1985

[52] U.S. Cl. .... D15/1

[58] Field of Search ..... D15/1, 3; 123/56 B, 123/56 BC, 56 BA, 41.66, 41.67, 195 C, 198 E, , 41.79, 41.82, 41.83, 41.69

[56] References Cited

U.S. PATENT DOCUMENTS

D. 214,539	6/1969	Fullerton	.....	D15/1
D. 239,329	3/1976	Schramm	.....	D15/1
D. 247,177	2/1978	Stevens	.....	D15/1
D. 252,148	6/1979	Schramm et al.	.....	D15/3

OTHER PUBLICATIONS

Show Gear Trade, May 1973, p. 26, Kohler 2 Cycle Engine-upper left corner.

Primary Examiner—Wallace R. Burke  
Assistant Examiner—Brian N. Vinson  
Attorney, Agent, or Firm—Irving M. Weiner; Joseph P. Carrier; Pamela S. Burt

[57] CLAIM

The ornamental design for an engine for motorcycle, as shown and described.

DESCRIPTION

FIG. 1 is a perspective view of an engine for motorcycle showing my new design;  
FIG. 2 is a front elevational view thereof;  
FIG. 3 is a right side elevational view thereof;  
FIG. 4 is a left side elevational view thereof;  
FIG. 5 is a top plan view thereof; and  
FIG. 6 is a bottom plan view thereof.

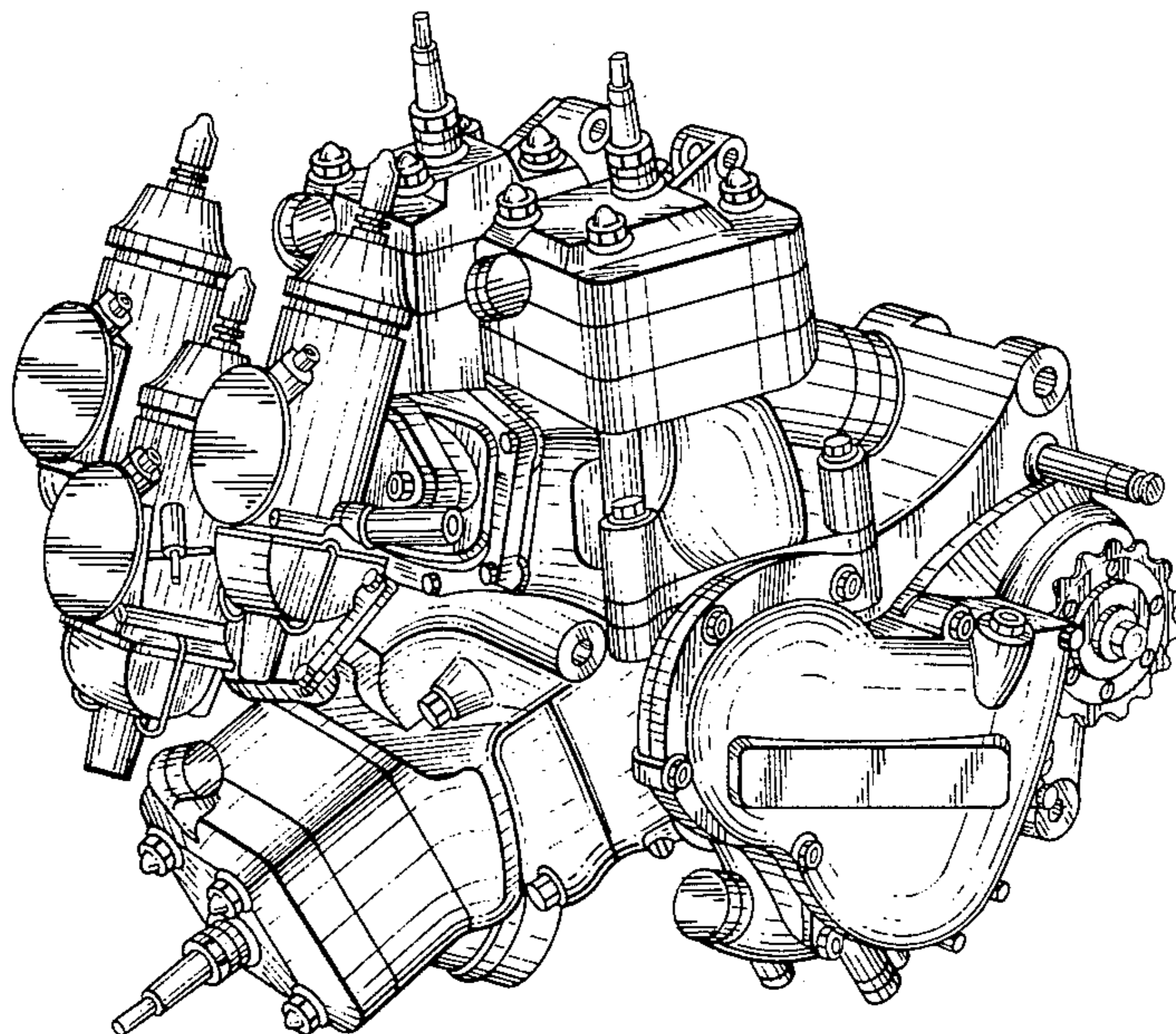


FIG.1

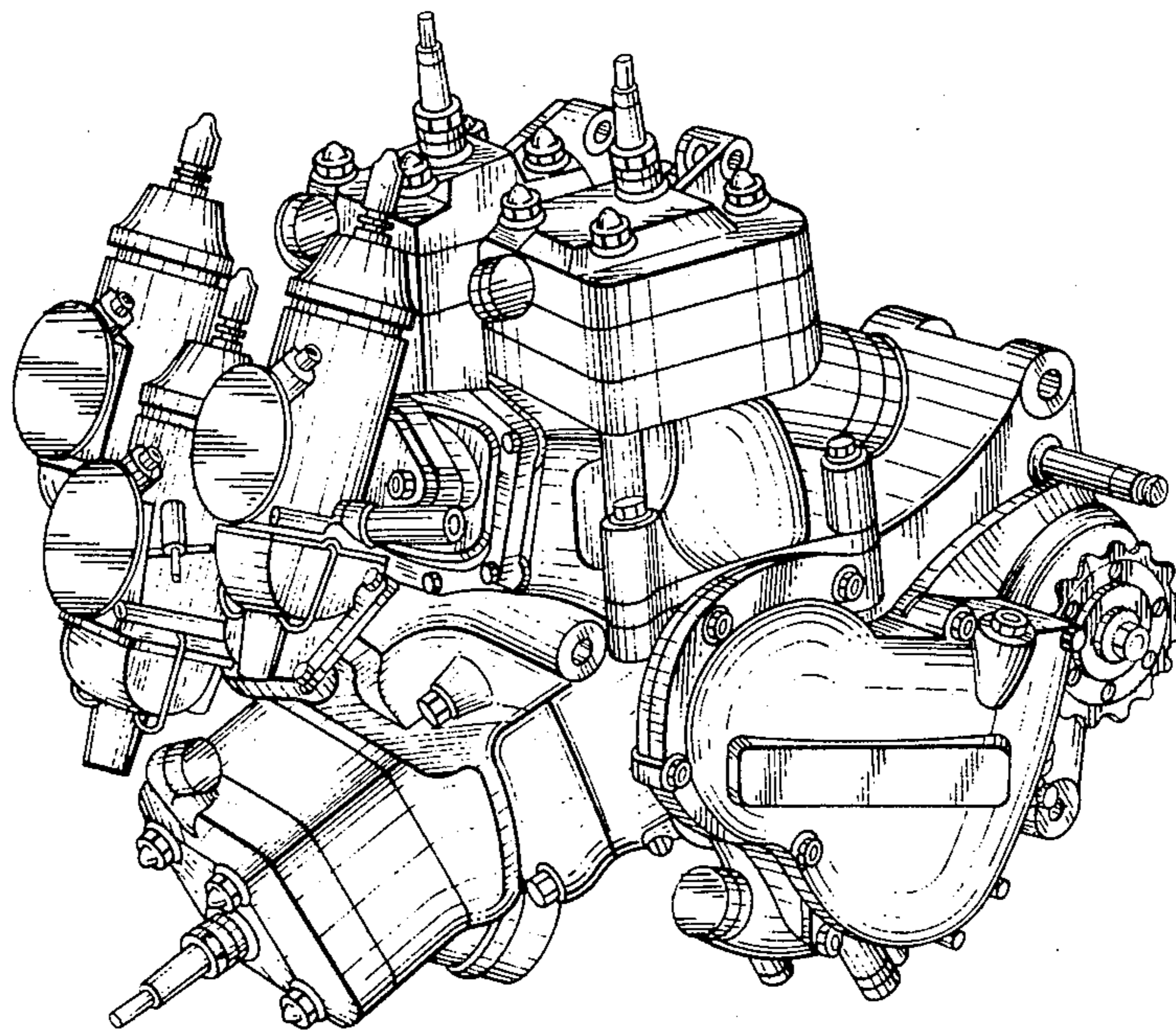


FIG.2

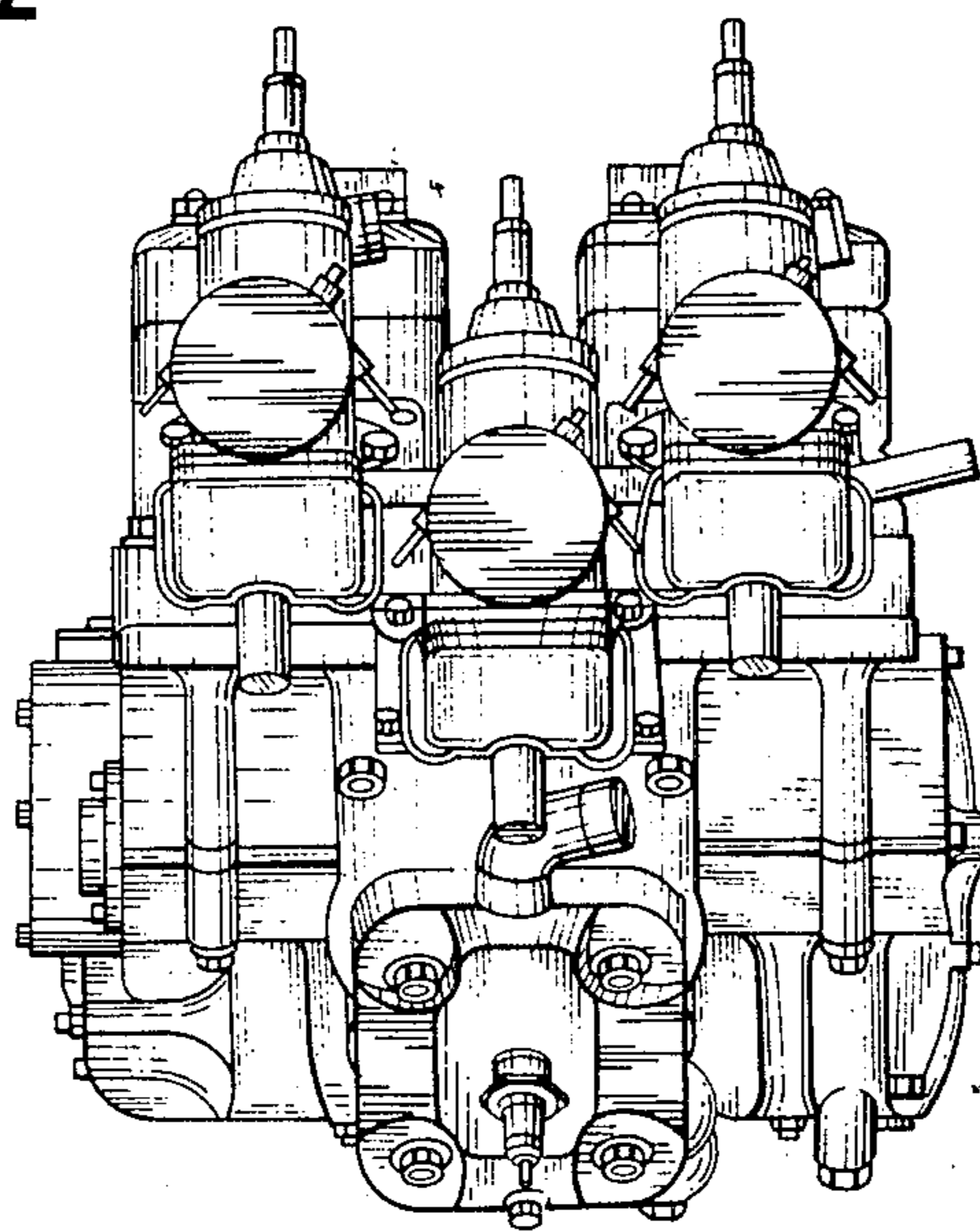


FIG. 3

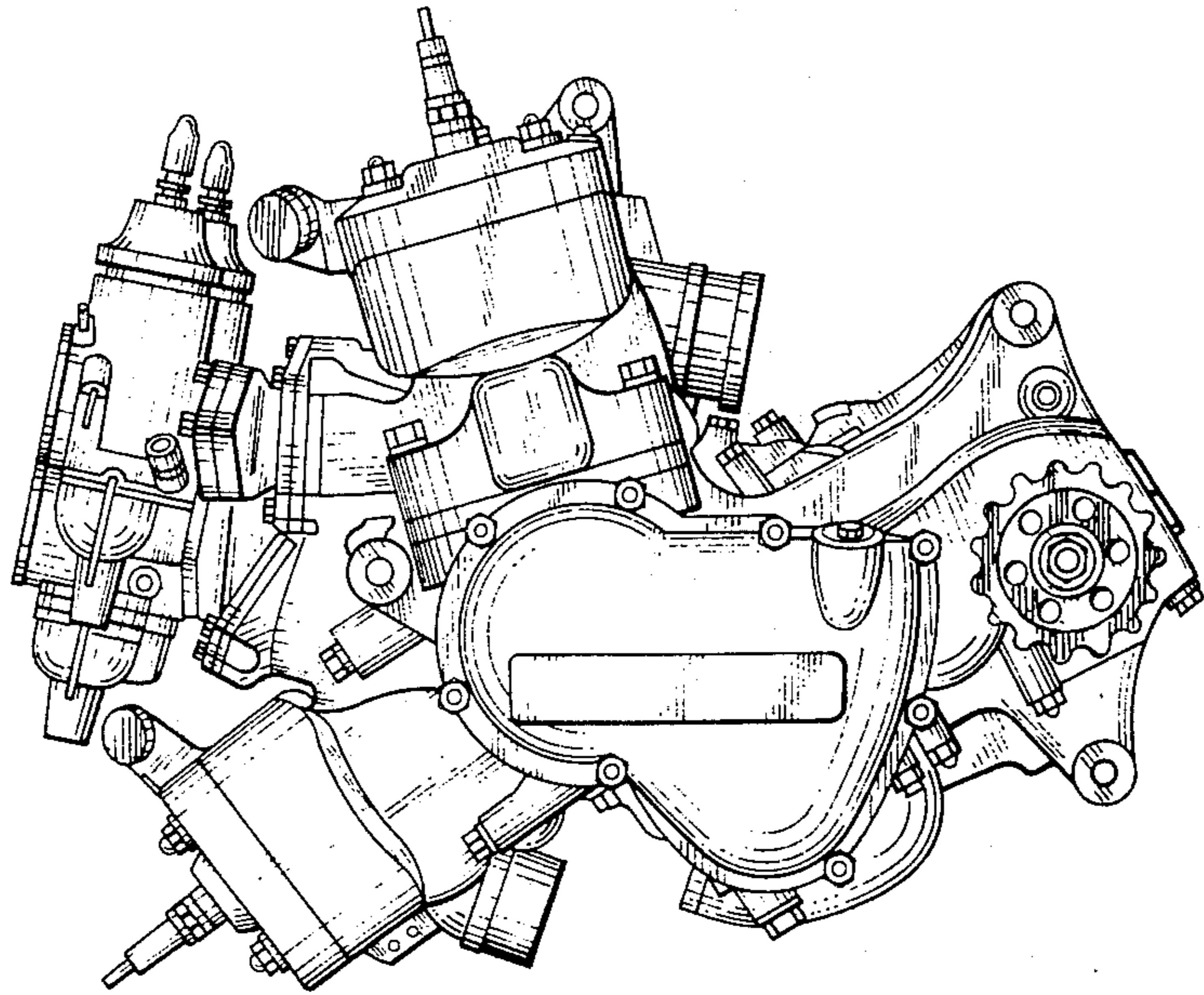


FIG. 4

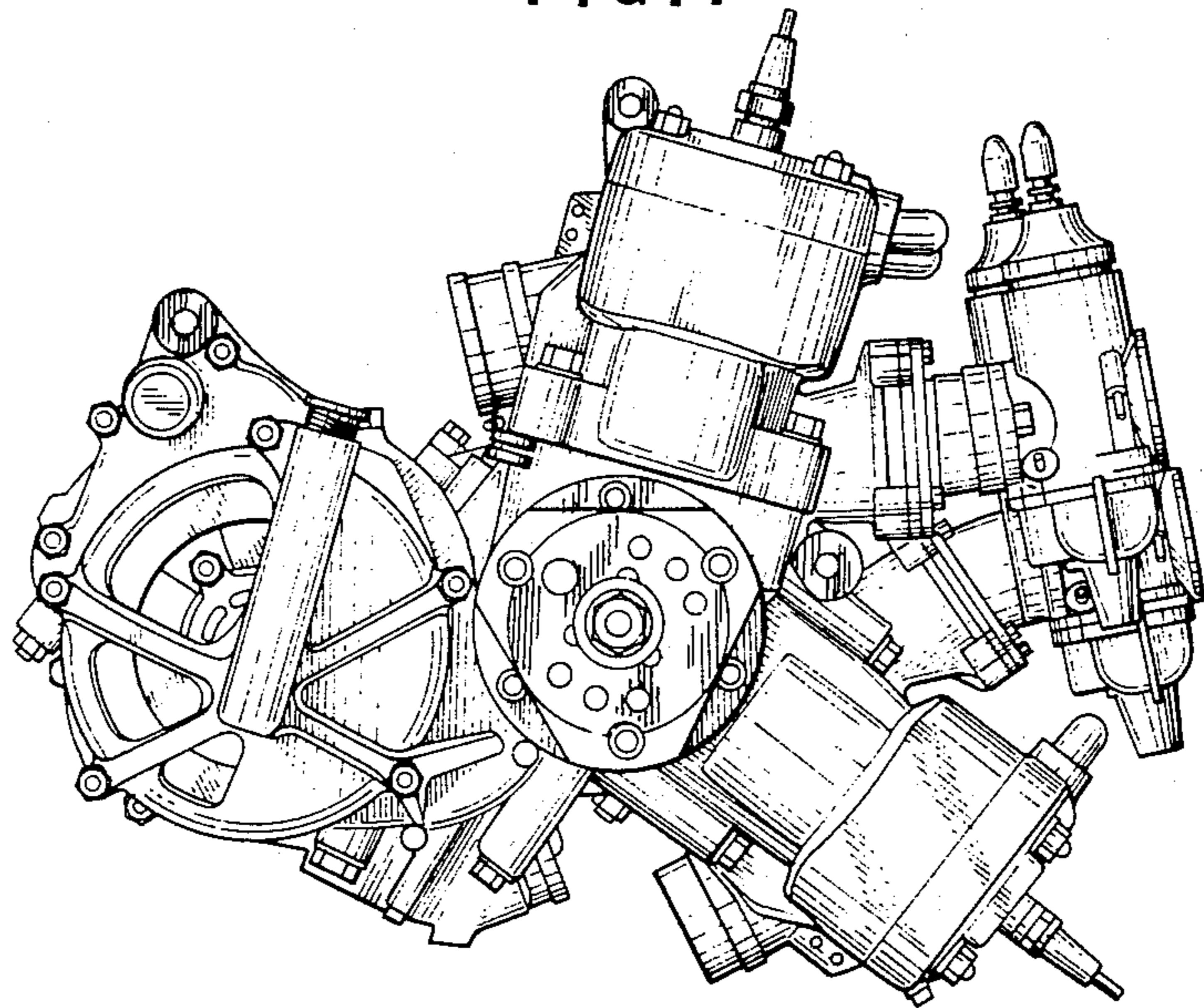


FIG. 5

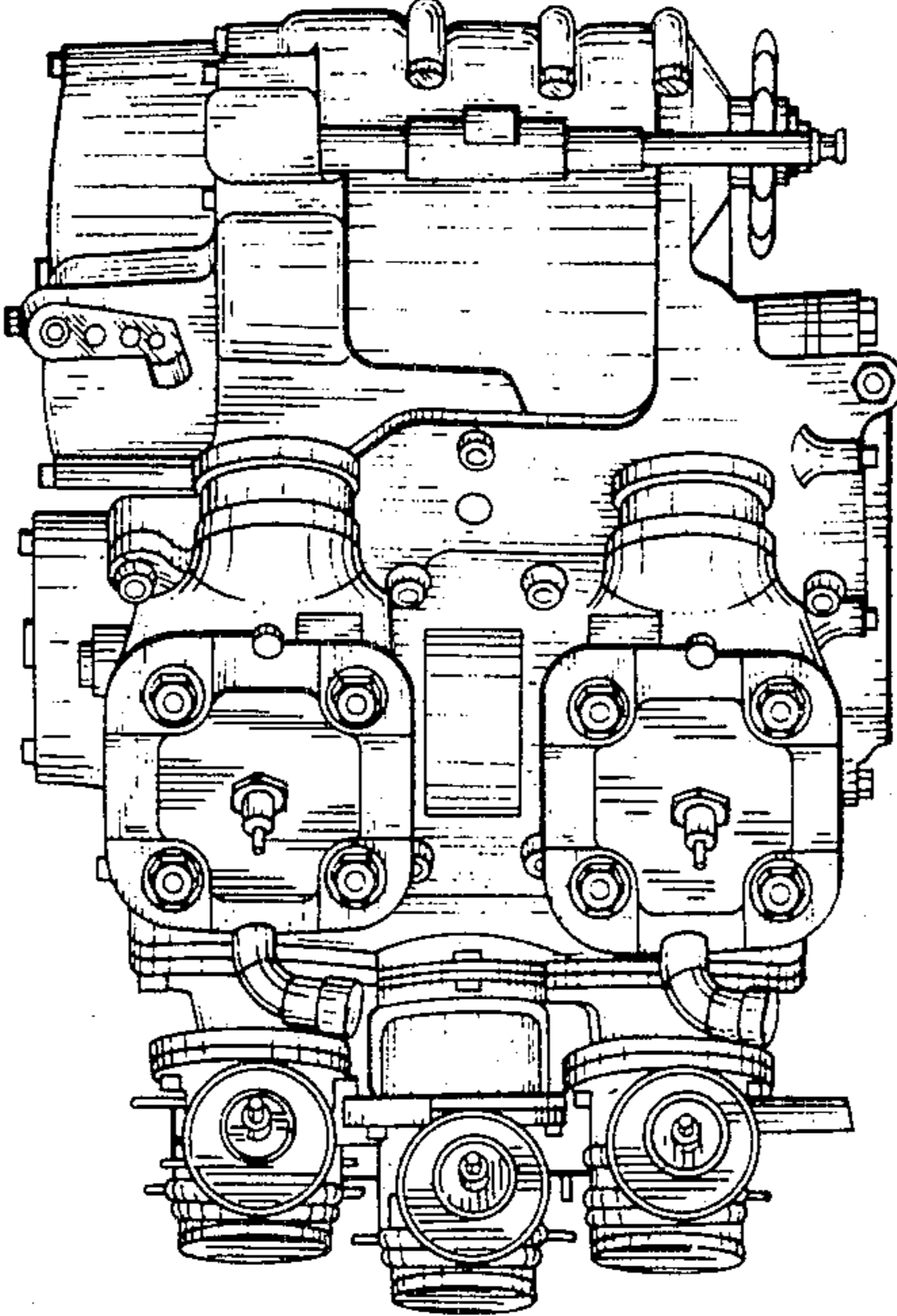


FIG. 6

