

[54] ADAPTER FOR CAMERA FLASH STROBE

[76] Inventor: Brent R. Hollister, 15848 Rayen St., Sepulveda, Calif. 91343

[**] Term: 14 Years

[21] Appl. No.: 588,442

[22] Filed: Mar. 12, 1984

[52] U.S. Cl. D13/25; D16/10; D16/38

[58] Field of Search D13/24, 25, 27-31; 339/153, 147 R, 147 P; D16/10, 38; 362/10, 3; 354/141

[56] **References Cited**
U.S. PATENT DOCUMENTS

D. 210,703 4/1968 Steisslinger D16/38

3,418,906 12/1968 Wick et al. 362/10 X
3,864,704 2/1975 Smart et al. 354/141 X
4,095,245 6/1978 Kuraishi 354/141

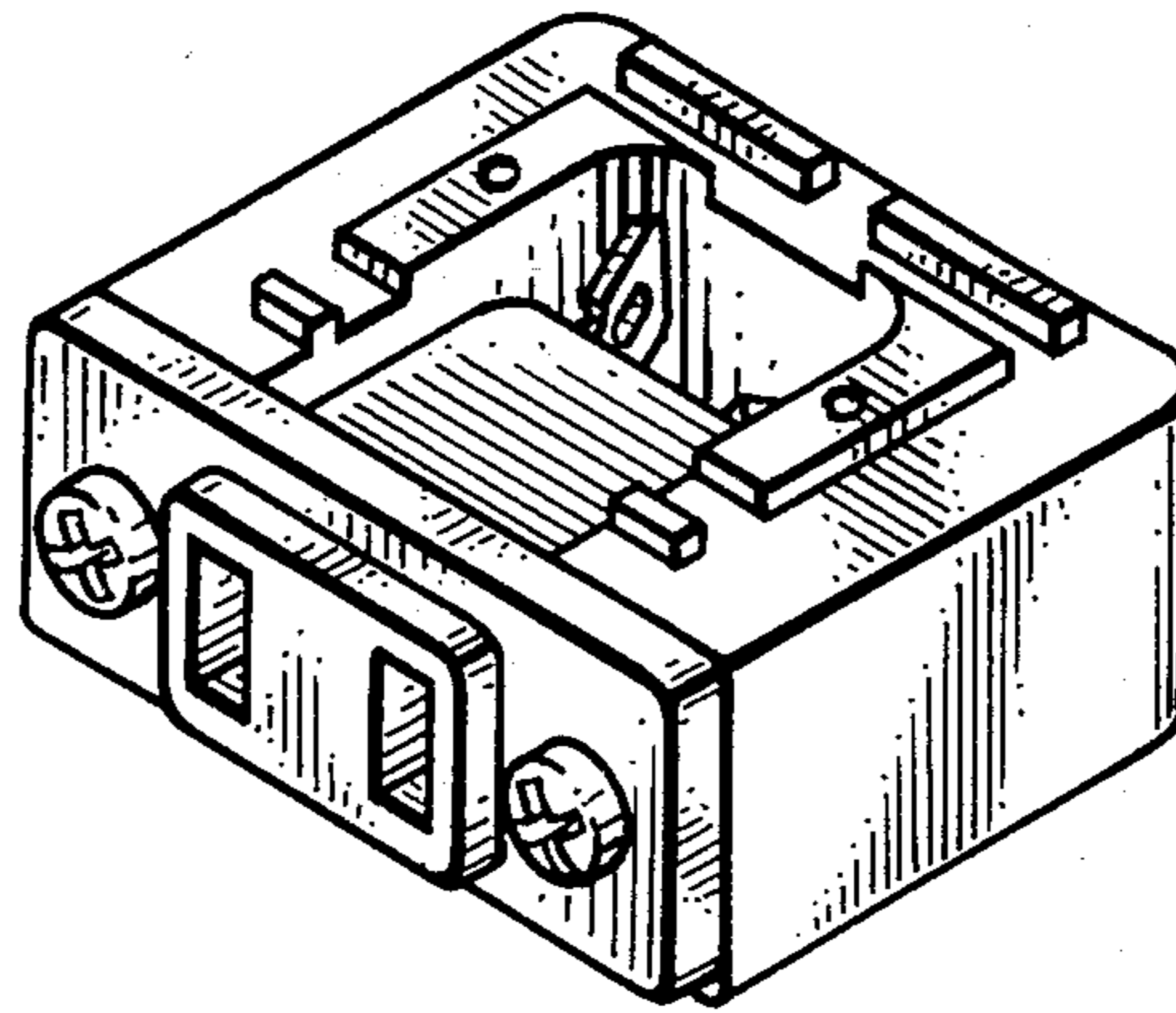
Primary Examiner—Susan J. Lucas
Attorney, Agent, or Firm—Cislo, O'Reilly & Thomas

[57] **CLAIM**

The ornamental design for an adapter for camera flash strobe, as shown and described.

DESCRIPTION

FIG. 1 is a top, front perspective view of the adapter for camera flash strobe showing my new design;
FIG. 2 is a front elevational view thereof;
FIG. 3 is a left side elevational view thereof, the right side being a mirror image;
FIG. 4 is a rear elevational view thereof;
FIG. 5 is a top plan view thereof;
FIG. 6 is a bottom plan view thereof.



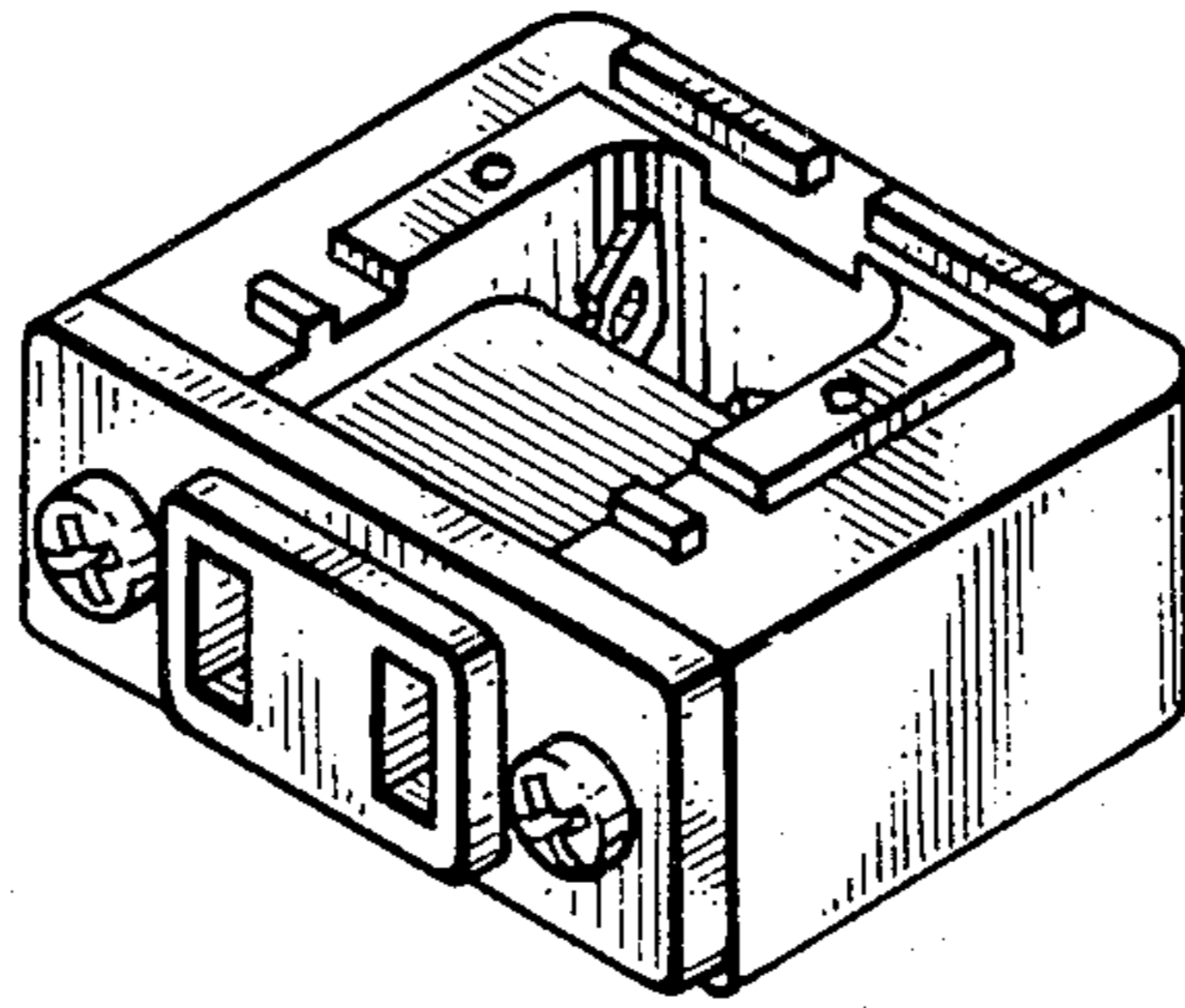


Fig. 1.

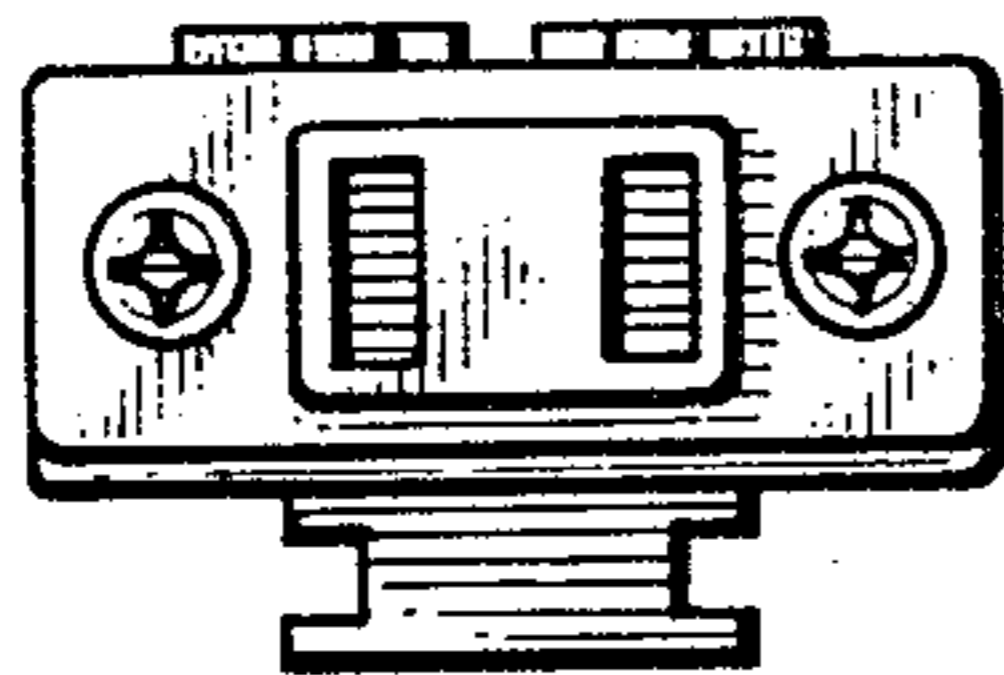


Fig. 2.

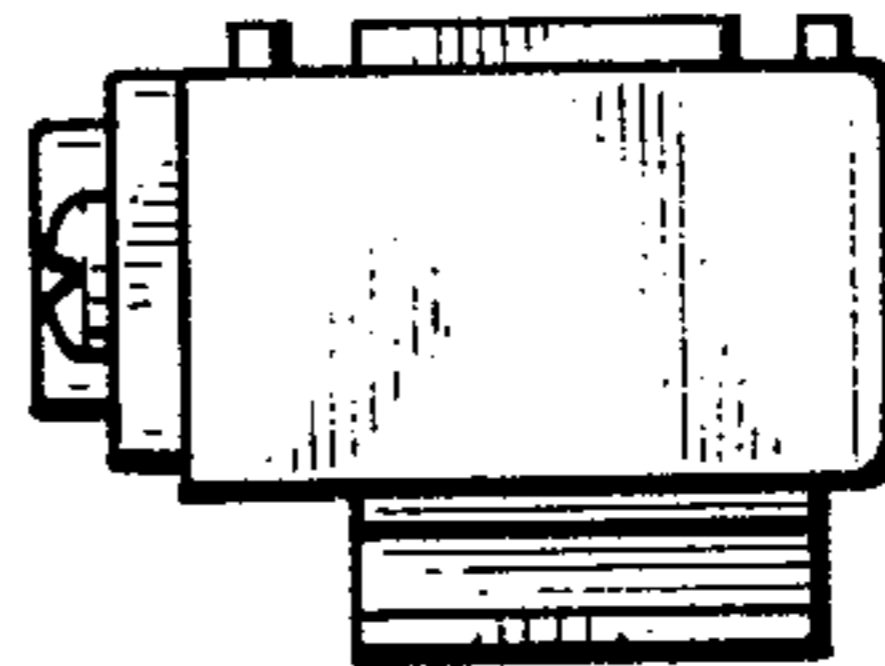


Fig. 3.

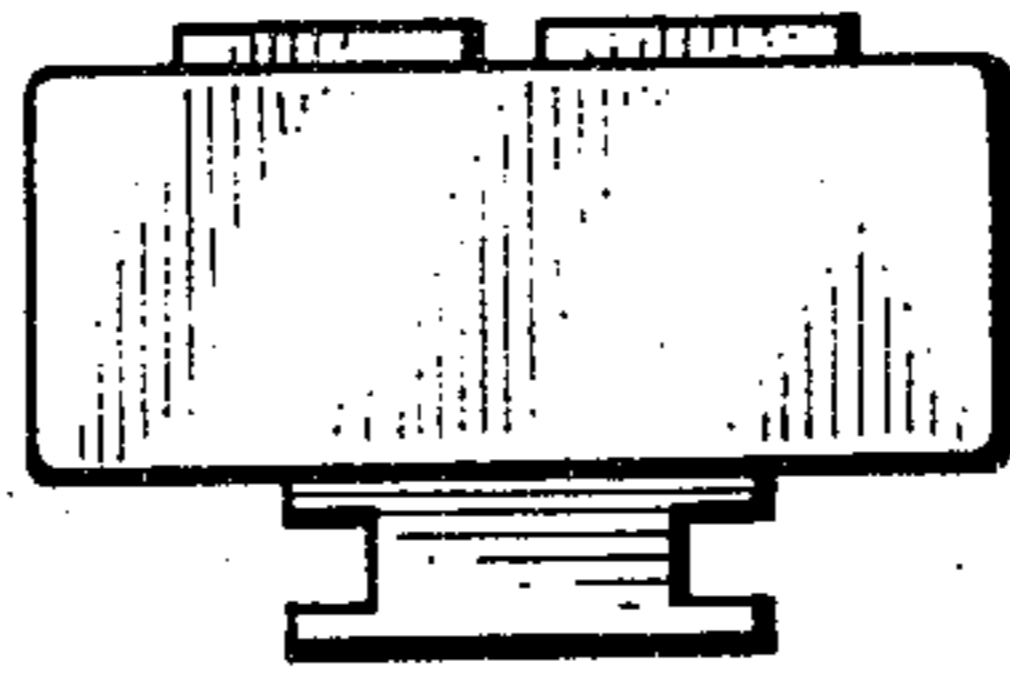


Fig. 4.

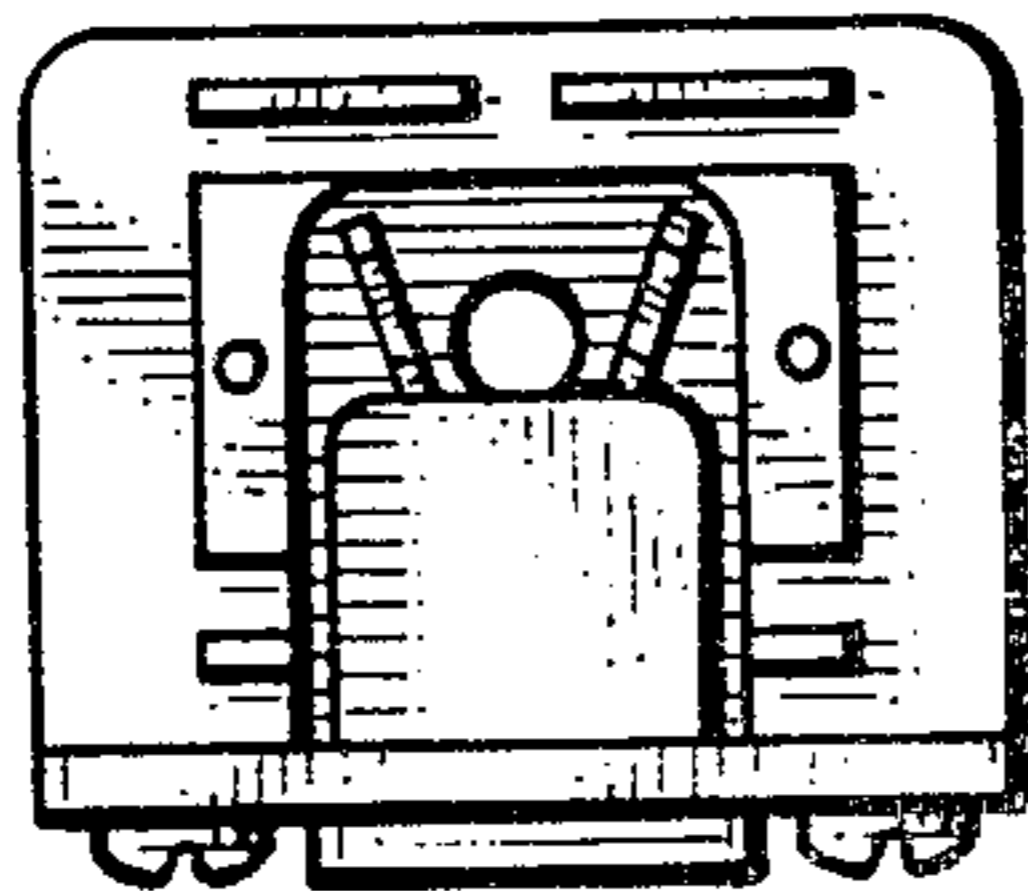


Fig. 5.

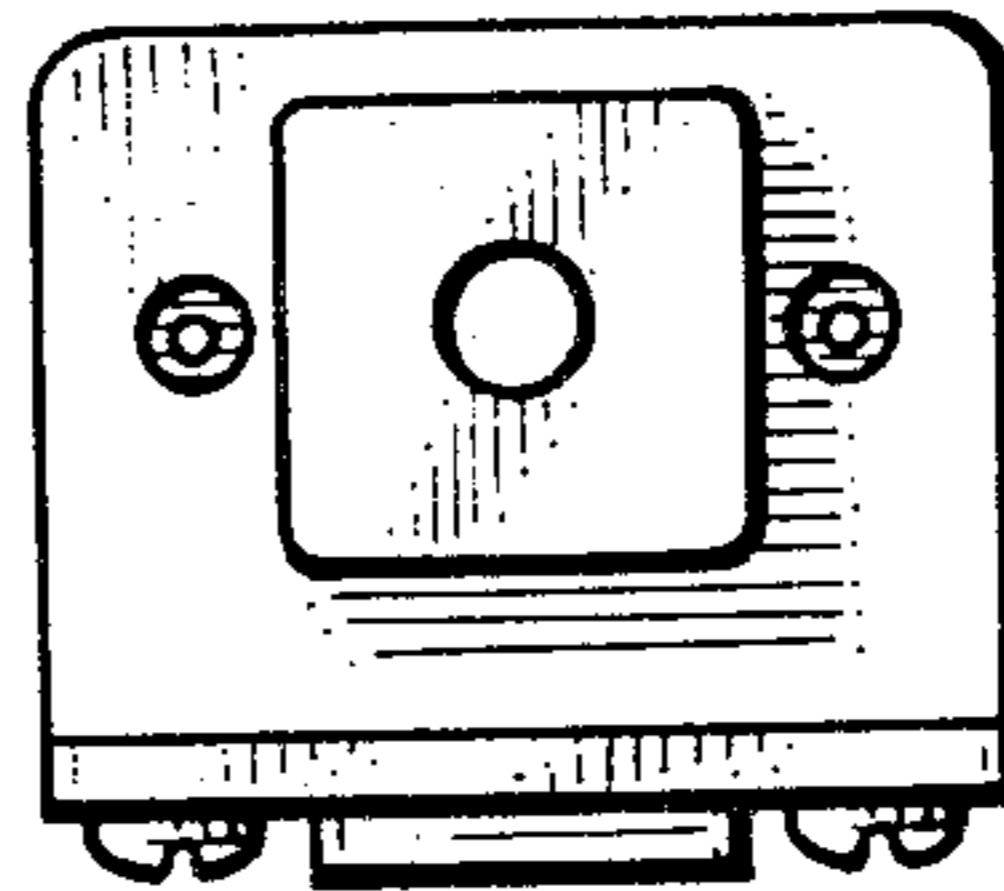


Fig. 6.