

[54] HEATING ELEMENT

[75] Inventor: Gurinder S. Wadia, Verdi, Nev.

[73] Assignee: Wells Manufacturing Company, Verdi, Nev.

[**] Term: 14 Years

[21] Appl. No.: 558,511

[22] Filed: Dec. 6, 1983

[52] U.S. Cl. D13/21; D23/87; D23/127

[58] Field of Search D23/127, 72, 77, 86, D23/87; D13/21, 99; 219/552, 538, 539, 541, 542, 544; 338/383, 386, 387, 299, 326, 333

[56] References Cited

U.S. PATENT DOCUMENTS

D. 266,414 10/1982 Brent D23/127 X

696,412 4/1902 Cowley D28/13 X
1,075,517 10/1913 Taylor 219/552 X
4,319,127 3/1982 Lindstrom et al. 219/552 X

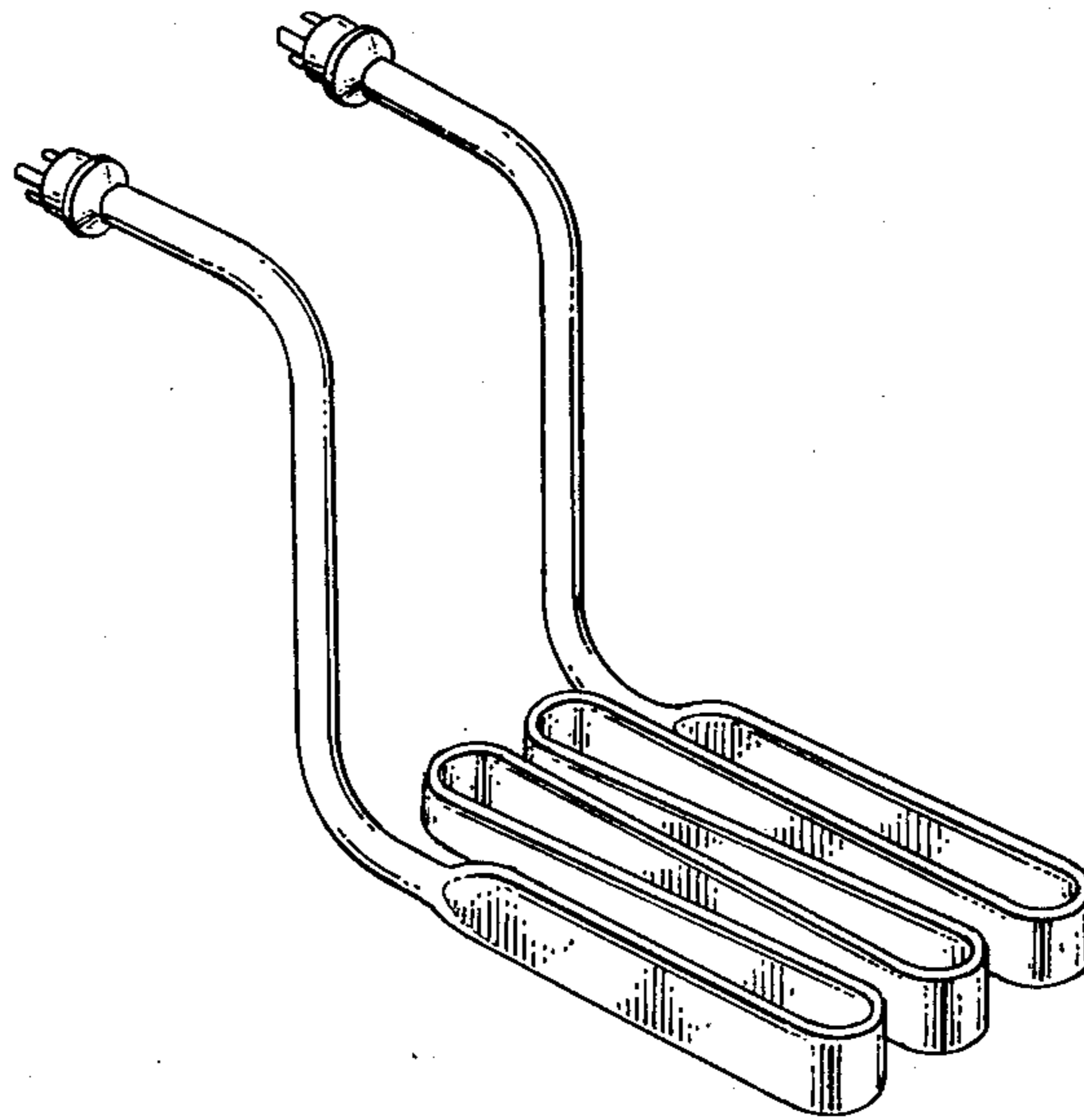
Primary Examiner—Catherine E. Kemper
Attorney, Agent, or Firm—Herbert C. Schulze

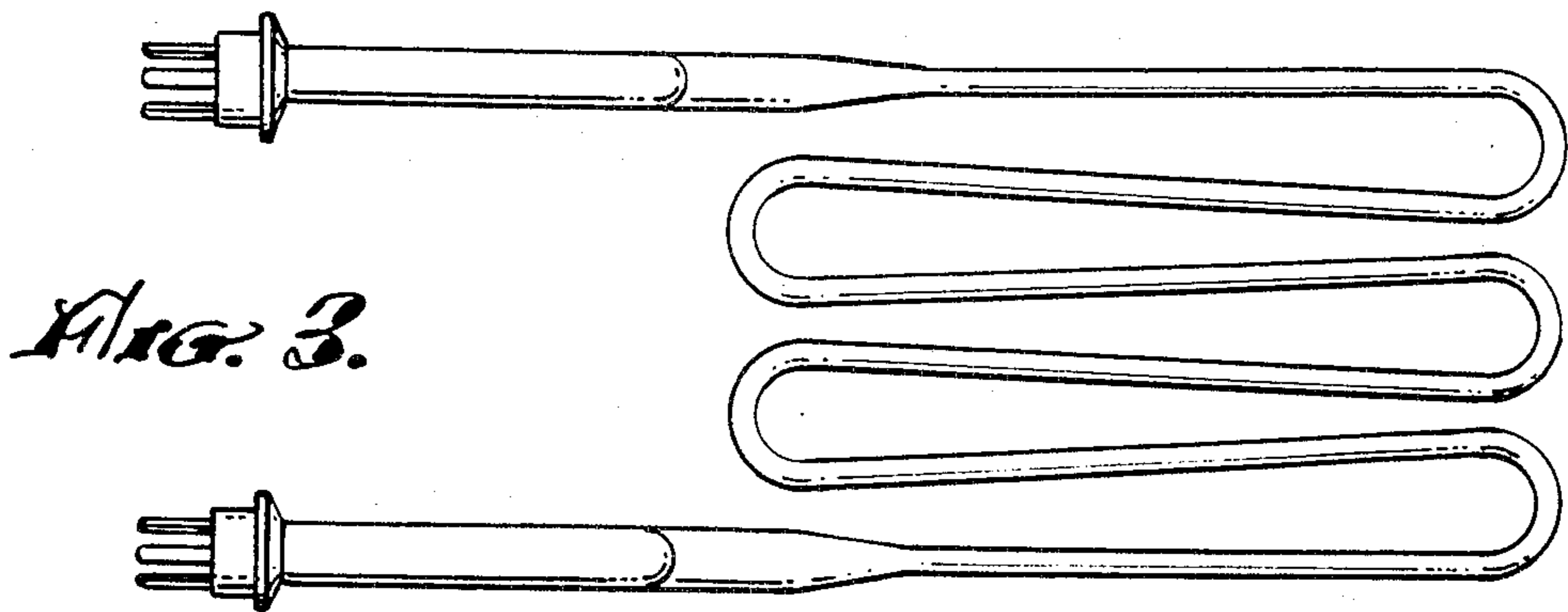
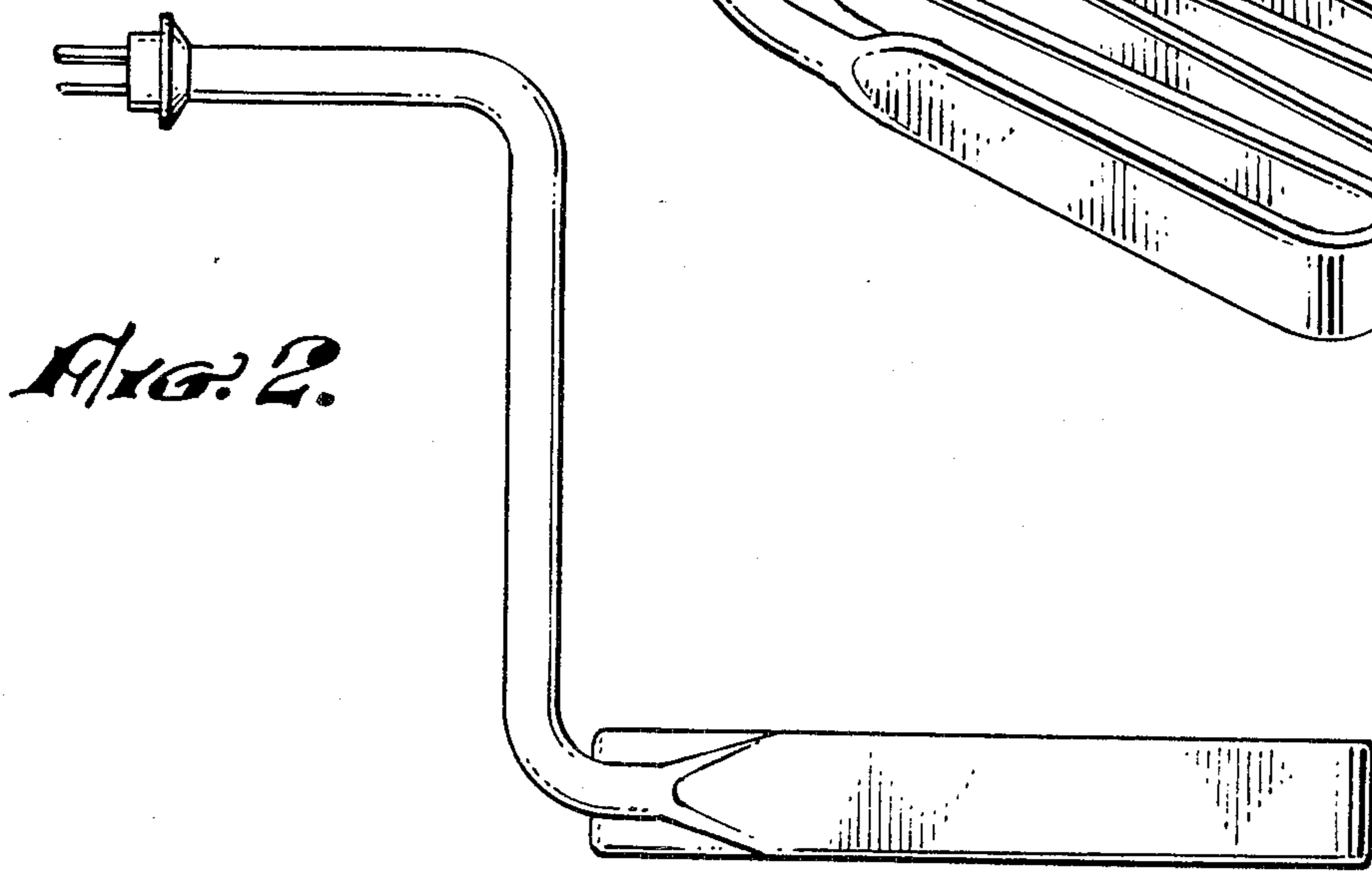
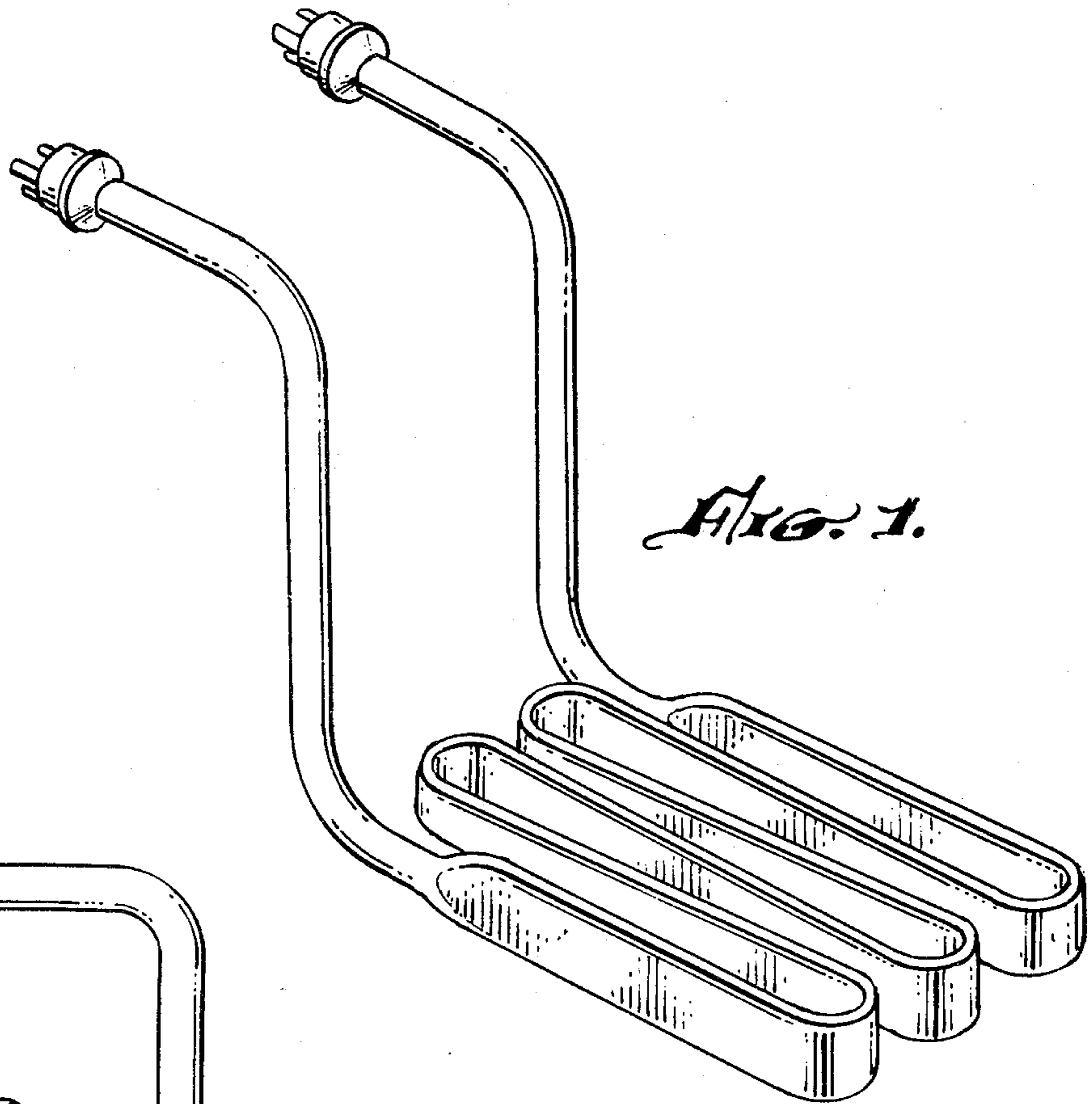
[57] CLAIM

The ornamental design for the heating element, as shown.

DESCRIPTION

FIG. 1 is a perspective view of a heating element, showing my new design;
FIG. 2 is a right side elevational view thereof;
FIG. 3 is a top plan view thereof;
FIG. 4 is a left side elevational view thereof;
FIG. 5 is a front elevational view thereof;
FIG. 6 is a rear elevational view thereof;
FIG. 7 is a bottom plan view thereof.





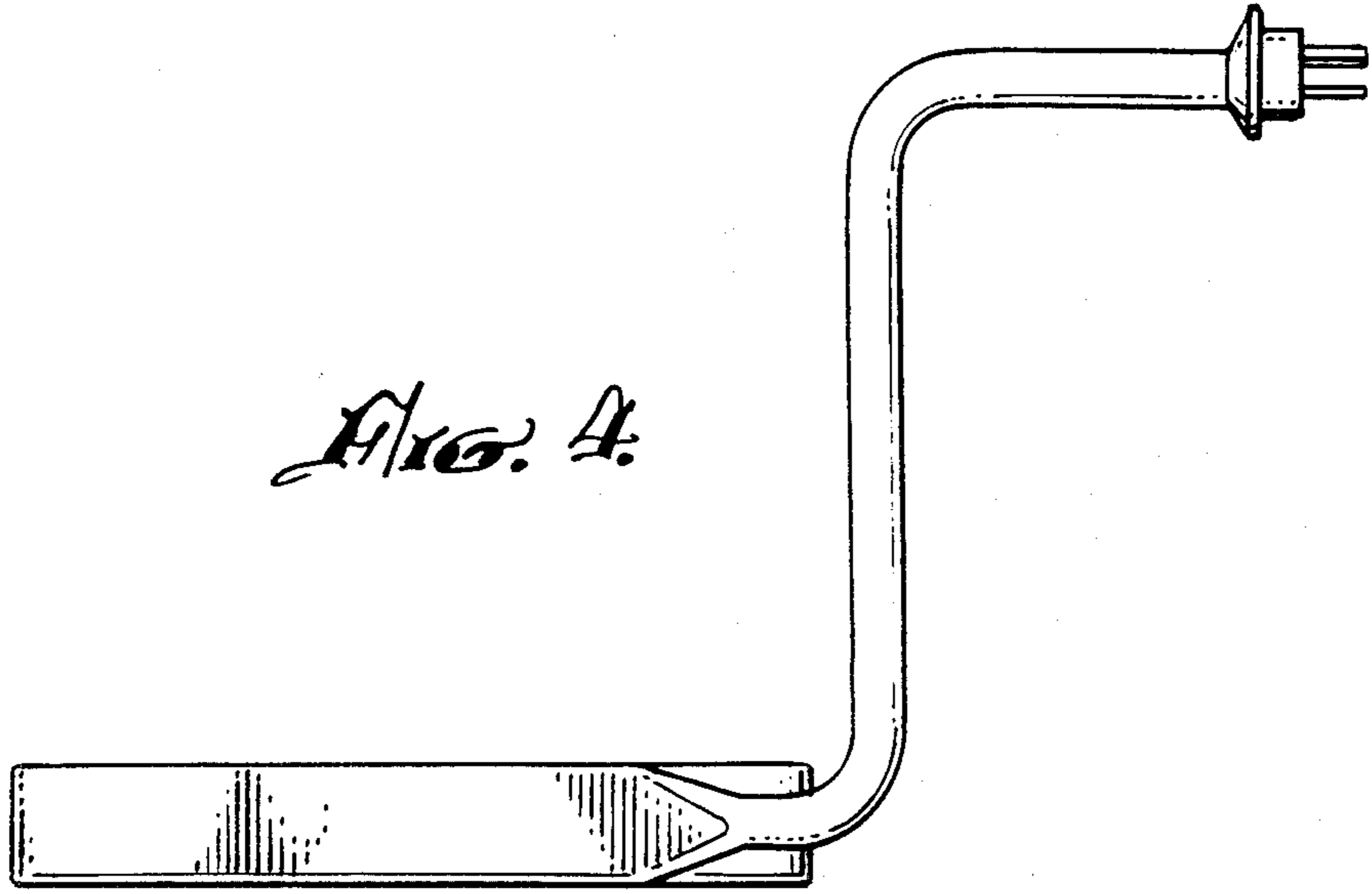


Fig. 4.

Fig. 5.

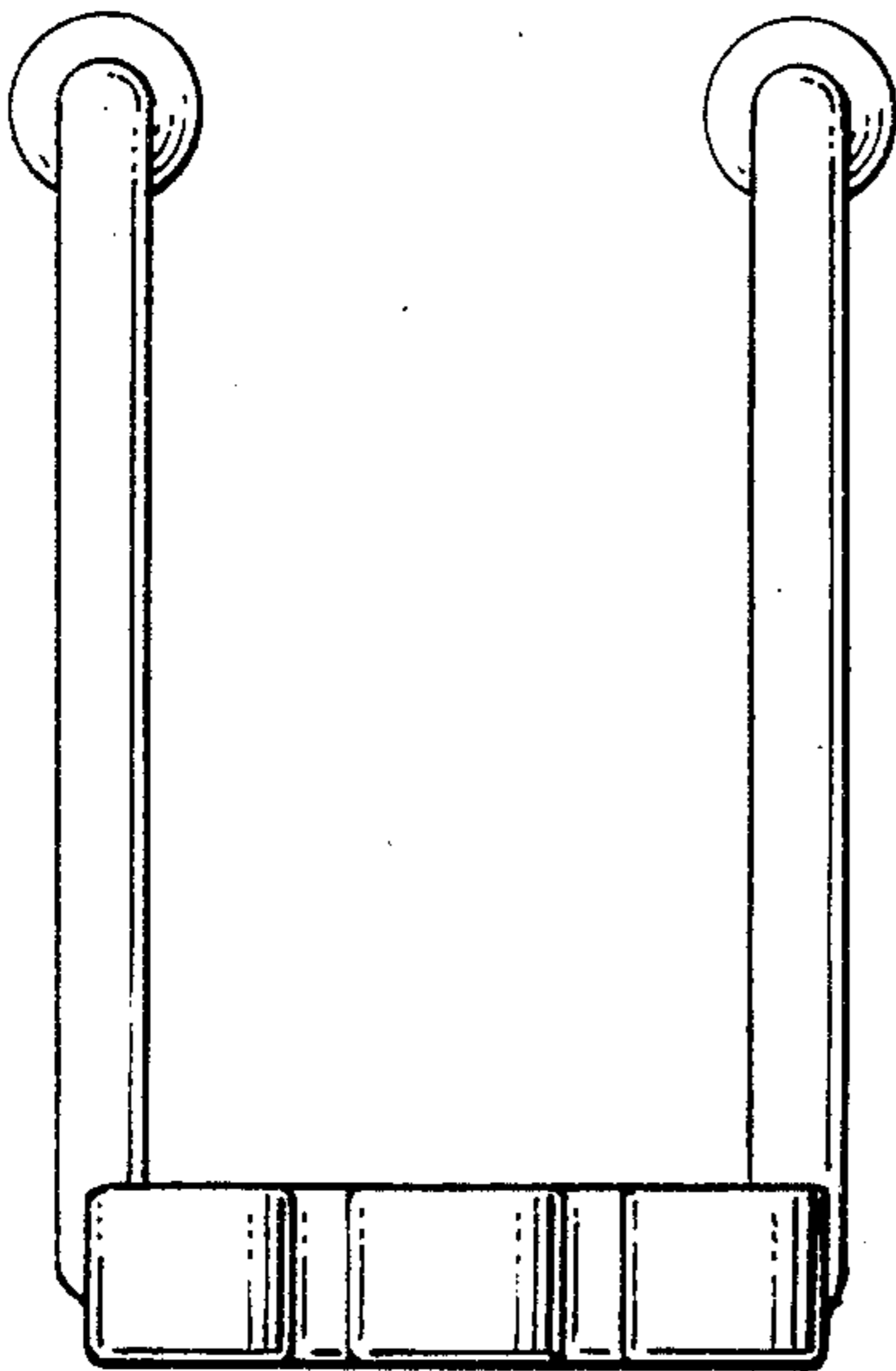


Fig. 6.

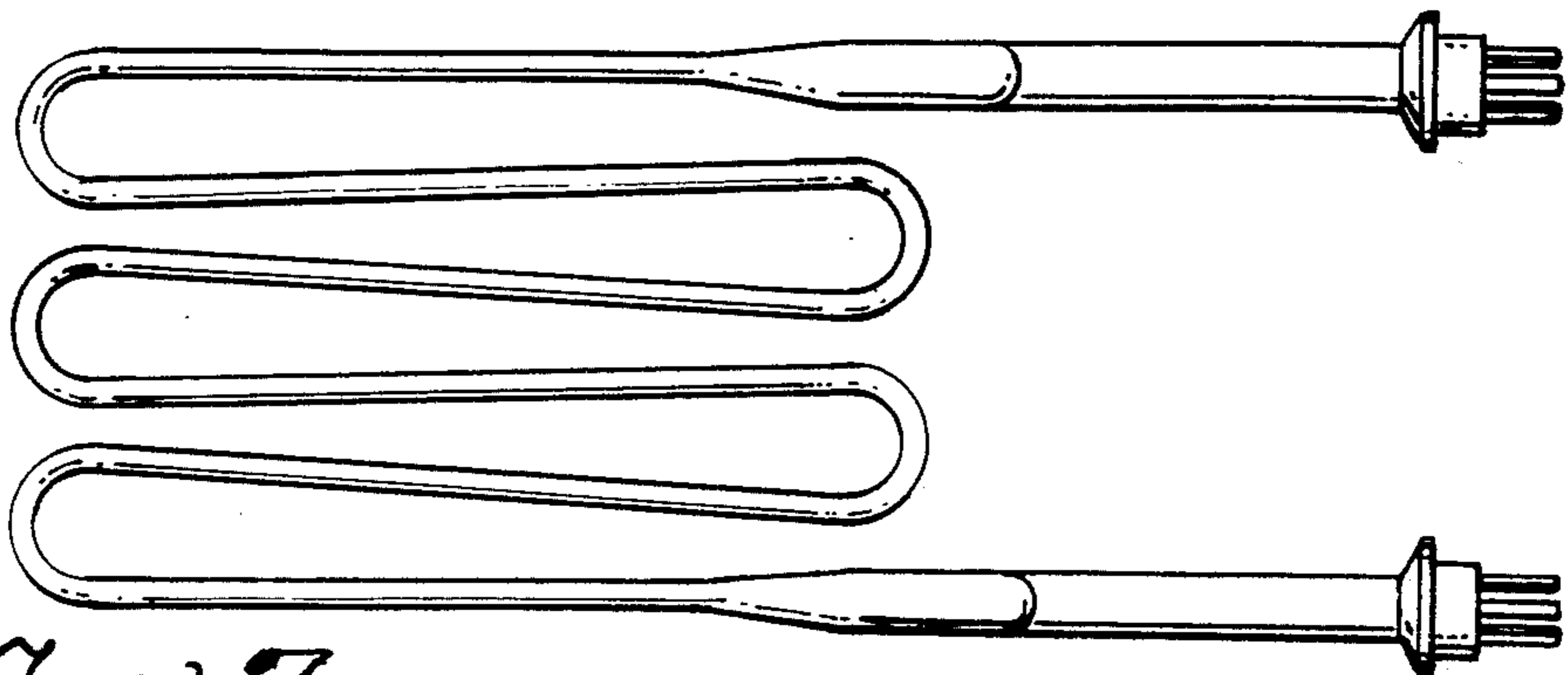
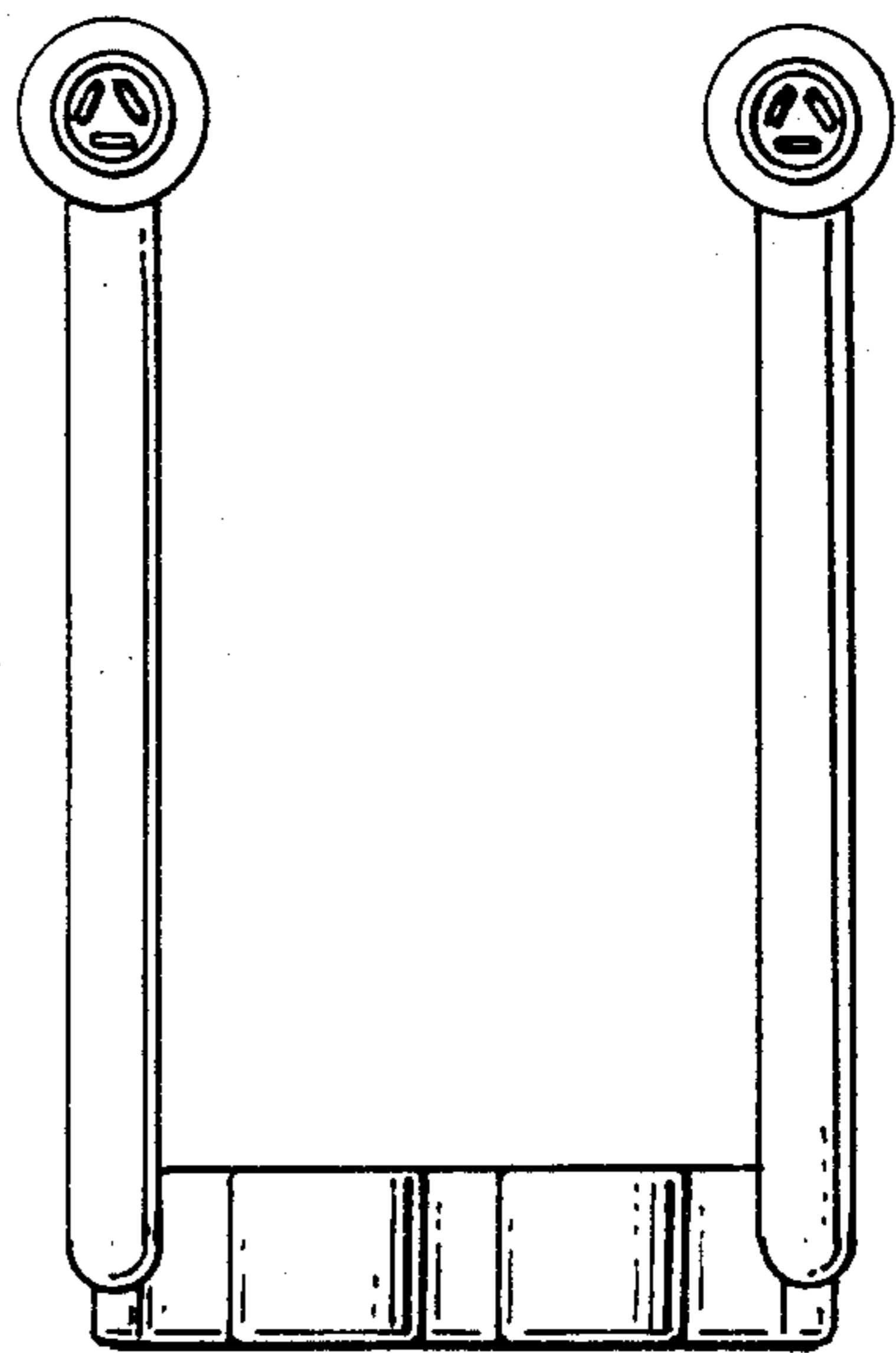


Fig. 7.