

[54] MARKING SLEEVE FOR ELECTRICAL CONDUCTORS OR THE LIKE

[75] Inventor: Lars Skarin, Otterbacken, Sweden

[73] Assignee: Partex Fabriksaktiebolag, Sweden

[**] Term: 14 Years

[21] Appl. No.: 608,291

[22] Filed: May 8, 1984

[30] Foreign Application Priority Data

Feb. 3, 1984 [SE] Sweden 84-0347

[52] U.S. Cl. D13/13; D13/99

[58] Field of Search 40/316; D13/13, 99; D20/10; 174/112; 40/16, 19, 23 R; 138/104

[56] References Cited

U.S. PATENT DOCUMENTS

1,298,981	4/1919	Loughridge	40/23 R
1,540,320	6/1925	Everett et al.	40/23 R
3,212,207	10/1965	Searing	174/112 X
3,487,574	1/1970	Loof	40/316
3,491,472	1/1970	Walldorf	40/316
3,534,777	10/1970	Loof	40/316 X

FOREIGN PATENT DOCUMENTS

178271	7/1905	Fed. Rep. of Germany	40/23 R
3129408	3/1983	Fed. Rep. of Germany	40/316
2239182	2/1975	France	40/316
452017	5/1968	Switzerland	40/316
960278	6/1964	United Kingdom	174/112
1115332	5/1968	United Kingdom	40/316

Primary Examiner—Catherine E. Kemper
Attorney, Agent, or Firm—Sughrue, Mion, Zinn, Macpeak, and Seas

[57] CLAIM

The ornamental design for a marking sleeve for electrical conductors or the like, as shown and described.

DESCRIPTION

FIG. 1 is a front, top and left side perspective view of a marking sleeve for electrical conductors or the like showing my new design;
FIG. 2 is a rear, top and left side perspective view thereof;
FIG. 3 is a left side elevational view thereof;
FIG. 4 is a top plan view thereof, the bottom being a mirror image thereof; and
FIG. 5 is another perspective view thereof, the broken line disclosure being for illustrative purposes only and forming no part of the claimed design.

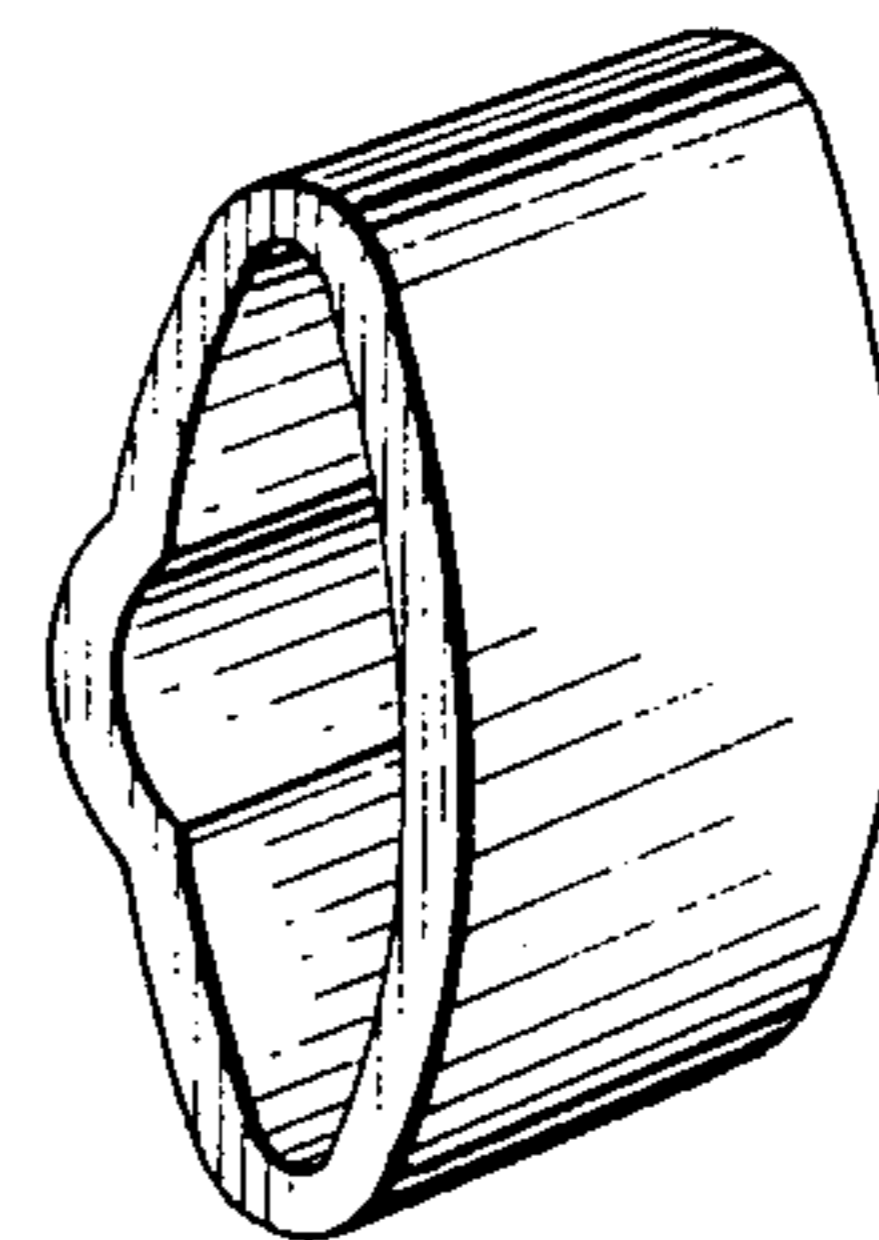
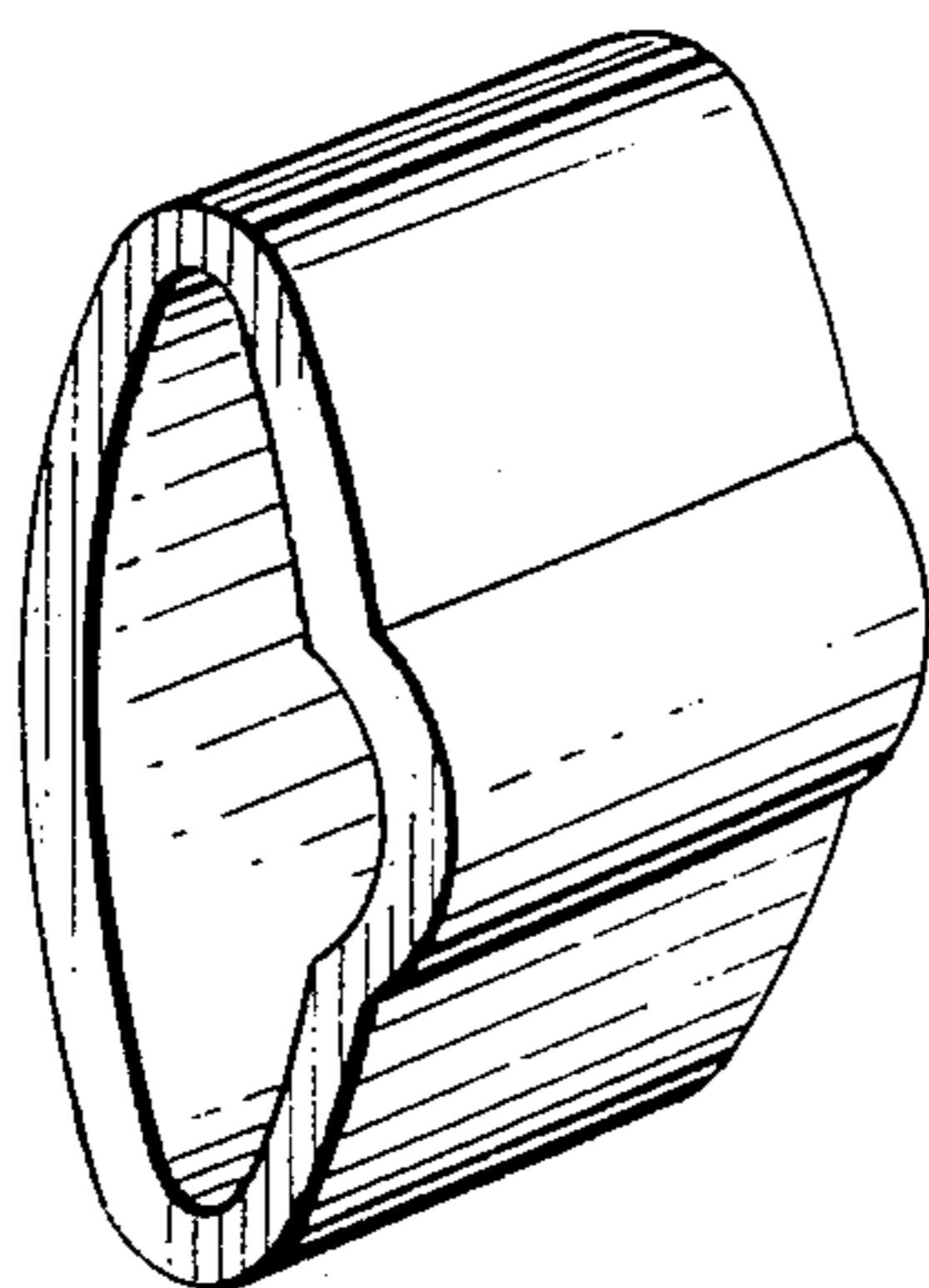


FIG. 1

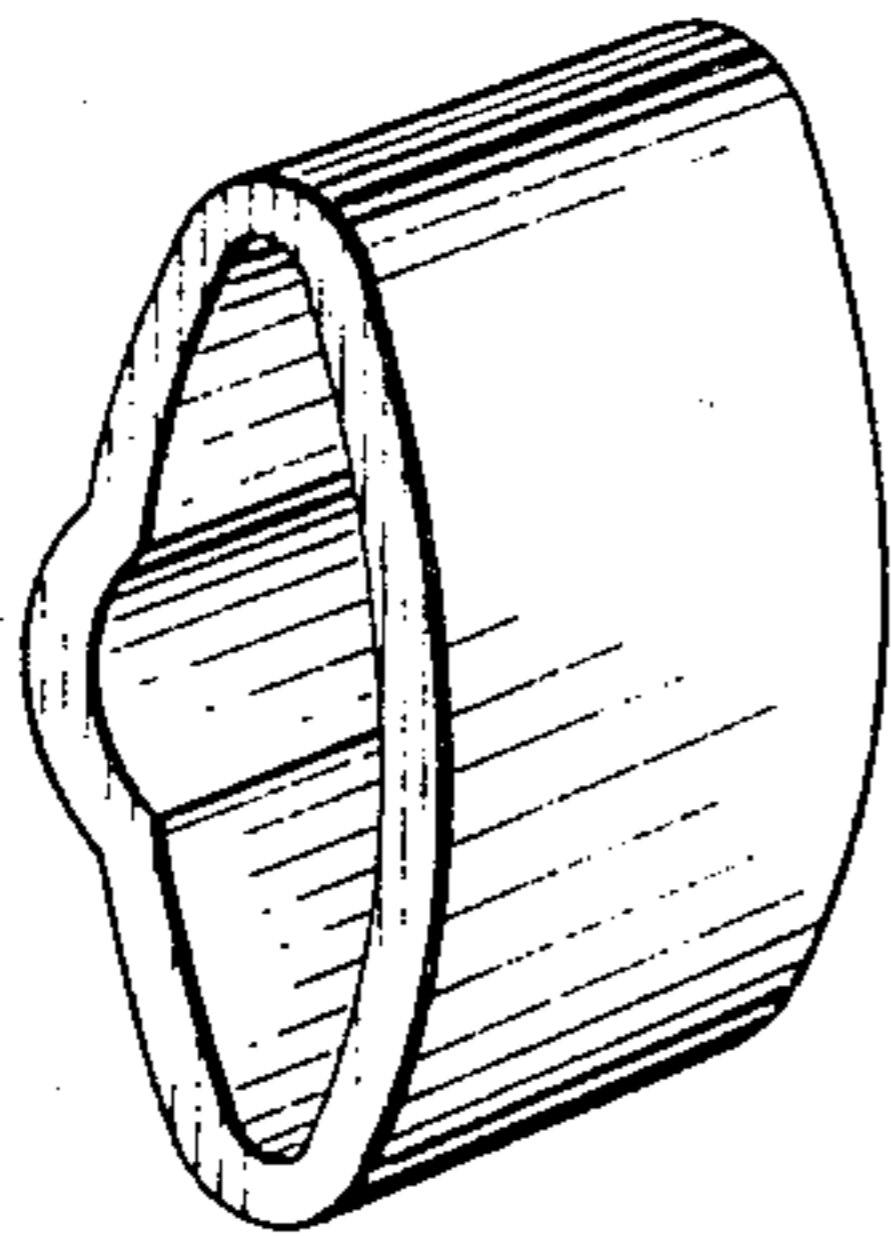


FIG. 2

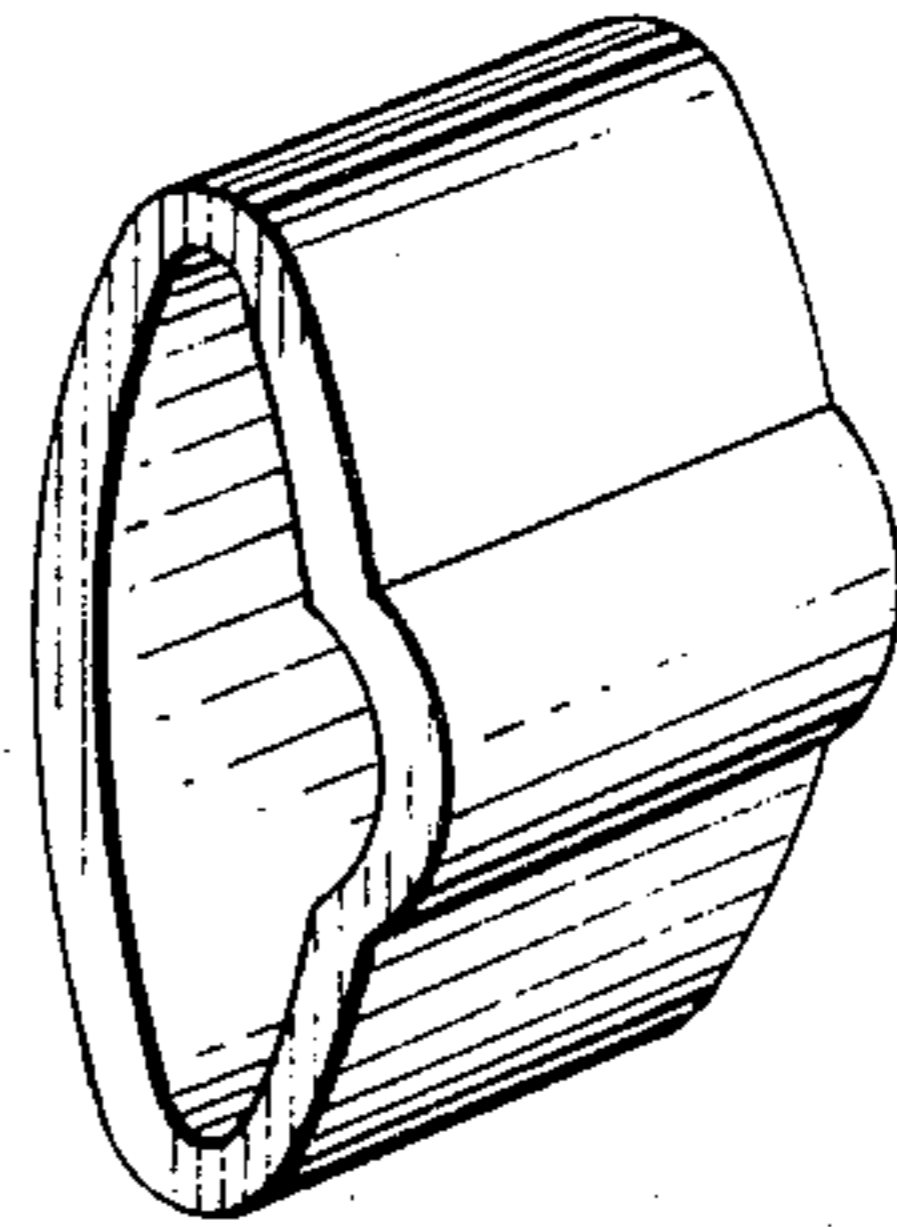


FIG. 3

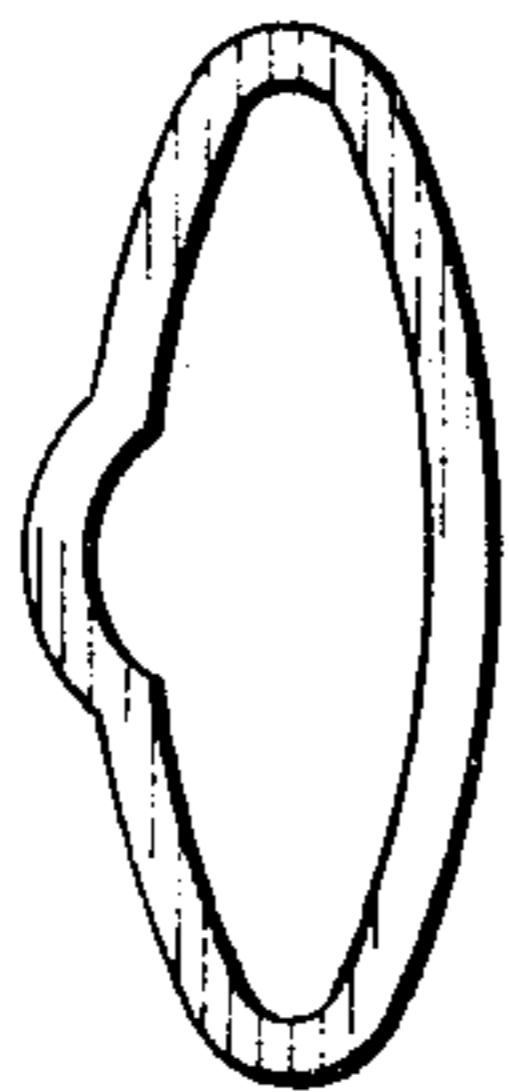


FIG. 4

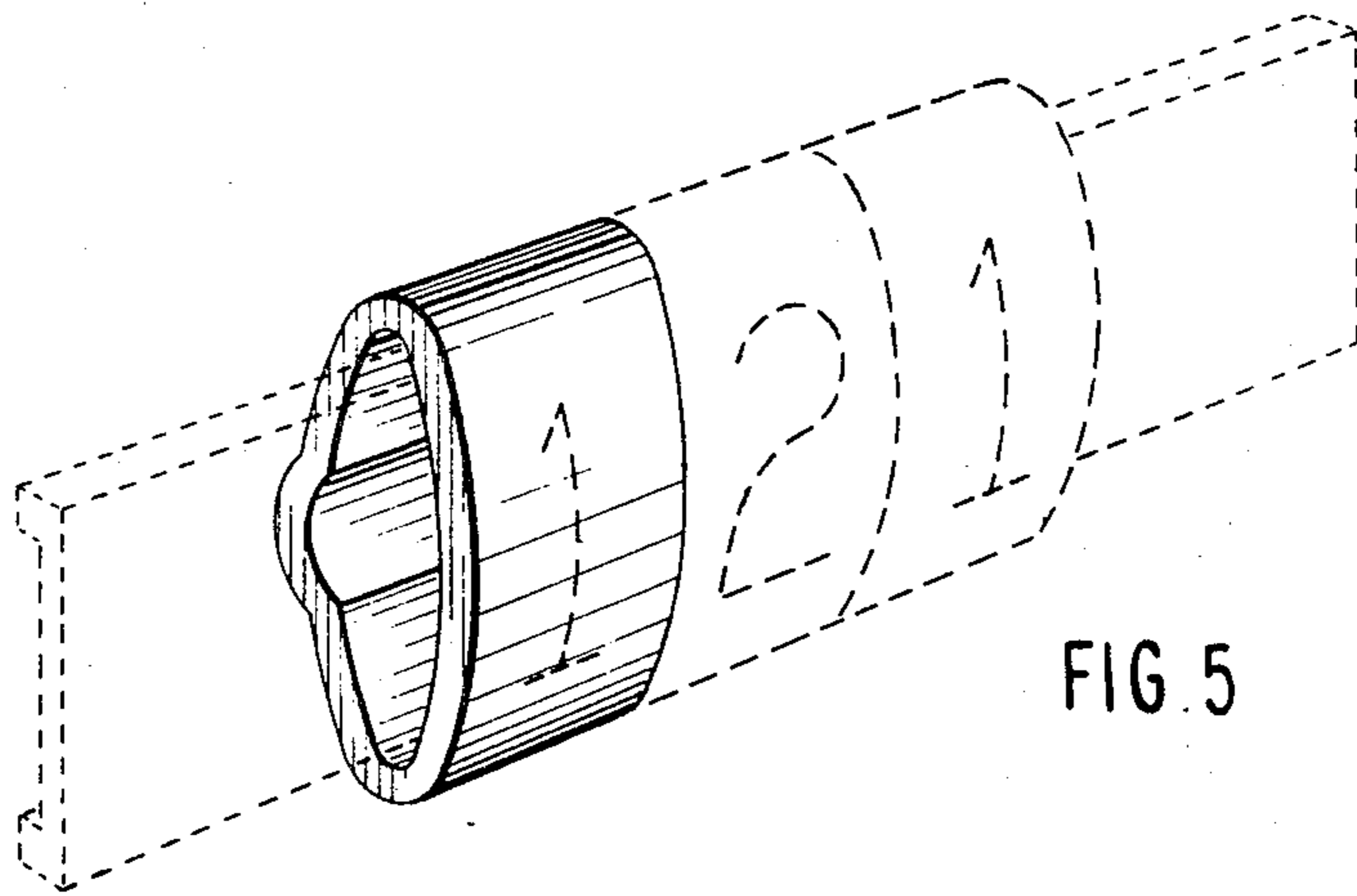
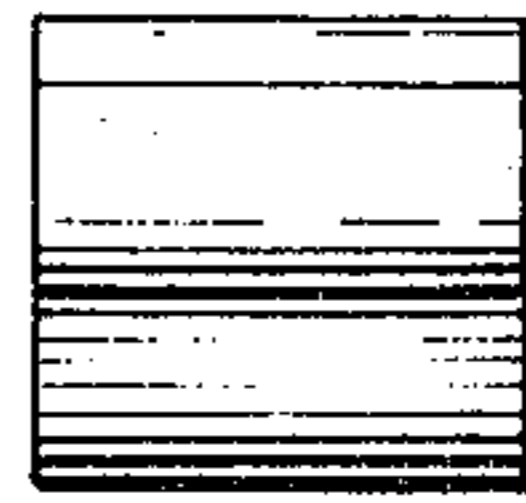


FIG. 5