

[54] **SIDE FAIRING**

[76] **Inventor: Donald R. Herpel, 29466
Candlewood, Southfield, Mich.
48076**

[**] **Term: 14 Years**

[21] **Appl. No.: 678,067**

[22] **Filed: Dec. 4, 1984**

[52] **U.S. Cl. D12/181**

[58] **Field of Search D12/181; 296/1.5**

[56] **References Cited**

U.S. PATENT DOCUMENTS

D. 263,040 2/1982 Fitzgerald et al. D12/181
3,878,914 4/1975 Gülich et al. 296/1.5

*Primary Examiner—James M. Gandy
Attorney, Agent, or Firm—Burton, Parker & Schramm*

[57] **CLAIM**

The ornamental design for a side fairing, as shown and described.

DESCRIPTION

FIG. 1 is a front perspective view of a side fairing showing my new design, it being understood that the broken lines are for illustrative purposes only and form no part of the design;

FIG. 2 is a front elevation view thereof;

FIG. 3 is a rear elevation view thereof;

FIG. 4 is an outer side elevation view thereof; and

FIG. 5 is an inner side elevation view thereof.

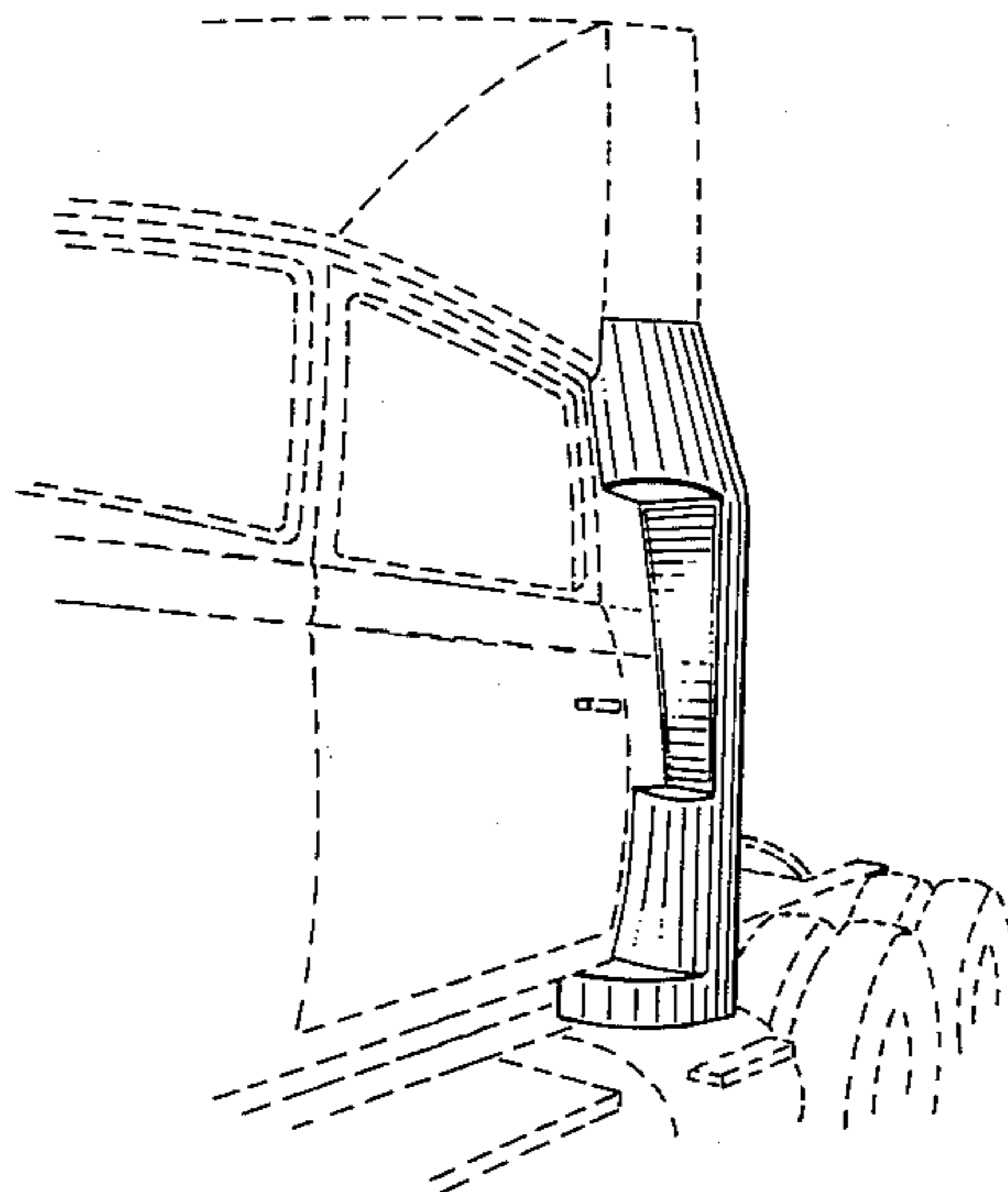


FIG. 1

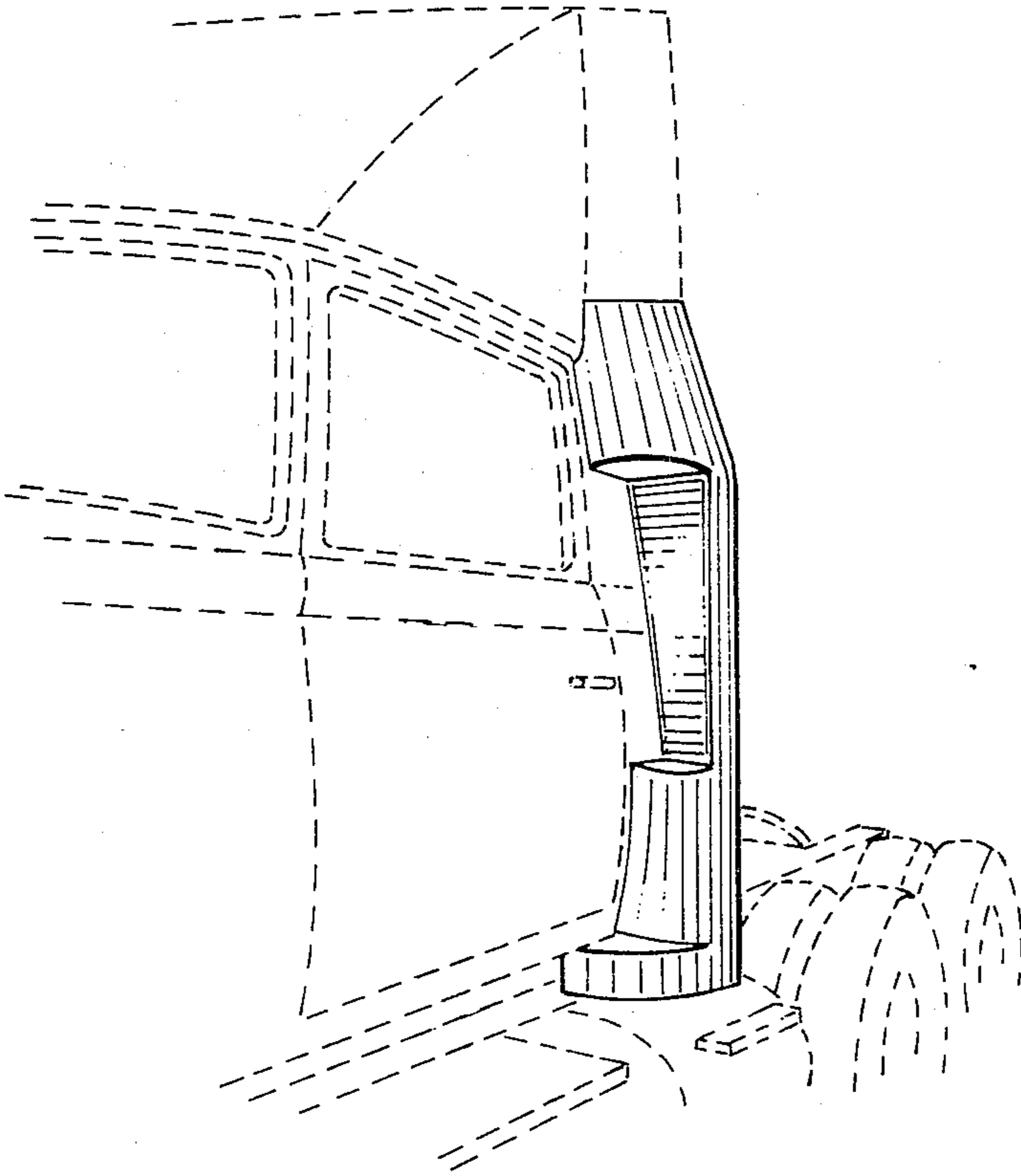


FIG. 2

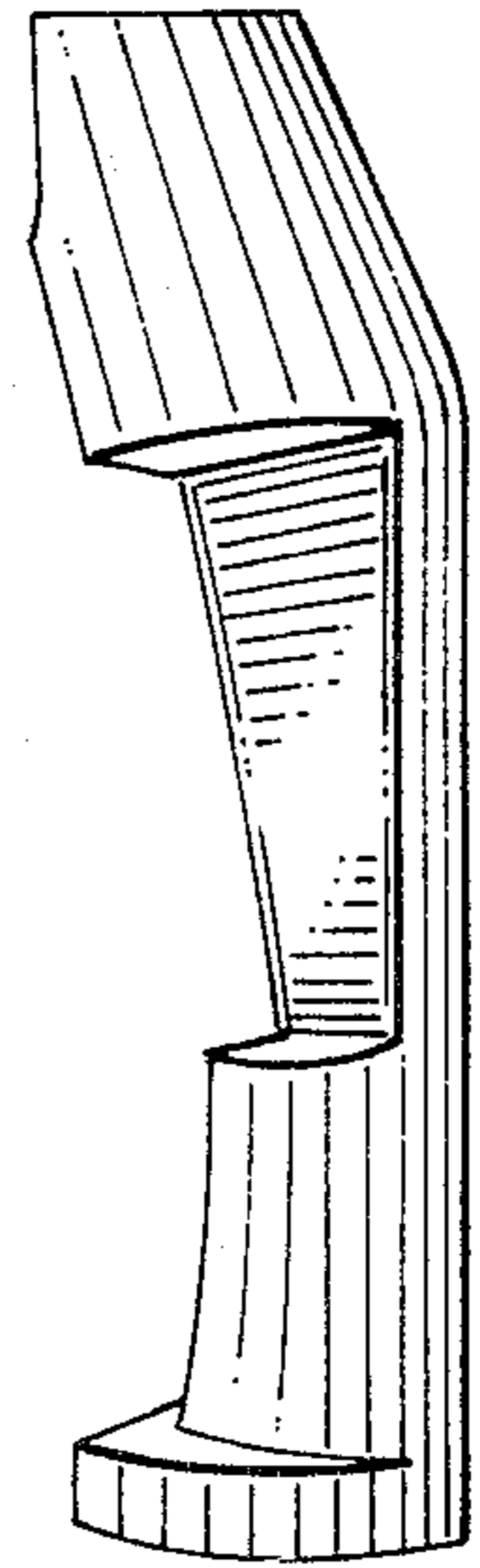


FIG. 3

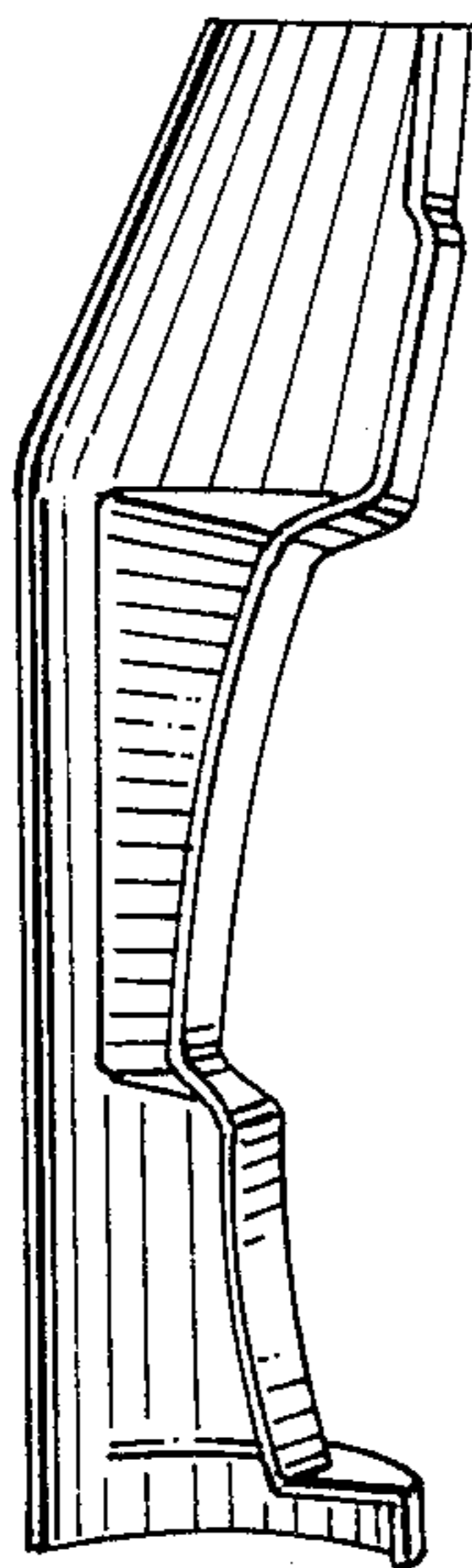


FIG. 4



FIG. 5

