

[54] WATCH BRACELET

[75] Inventor: Maurice Levene, London, England

[73] Assignee: Accurist S.A., Switzerland

[**] Term: 14 Years

[21] Appl. No.: 676,793

[22] Filed: Nov. 30, 1984

[30] Foreign Application Priority Data

Jun. 1, 1984 [CH] Switzerland 113782

[52] U.S. Cl. D11/4; D11/12; D11/93

[58] Field of Search D11/1-7, D11/11-13, 15-23, 25, 93; D10/32; 63/1 R-11, DIG. 3; 59/79.1-79.3, 80, 82-84, 90-92

[56] References Cited

U.S. PATENT DOCUMENTS

- D. 190,133 4/1961 Rodriguez D11/12 X
- D. 214,937 8/1969 Vengsakul D11/12 X

- D. 217,829 6/1970 Vengsakul D11/12 X
- D. 260,977 9/1981 Rimmler D11/4
- 272,829 2/1883 Cockshaw 63/4
- 4,503,665 3/1985 Bert D11/25 X

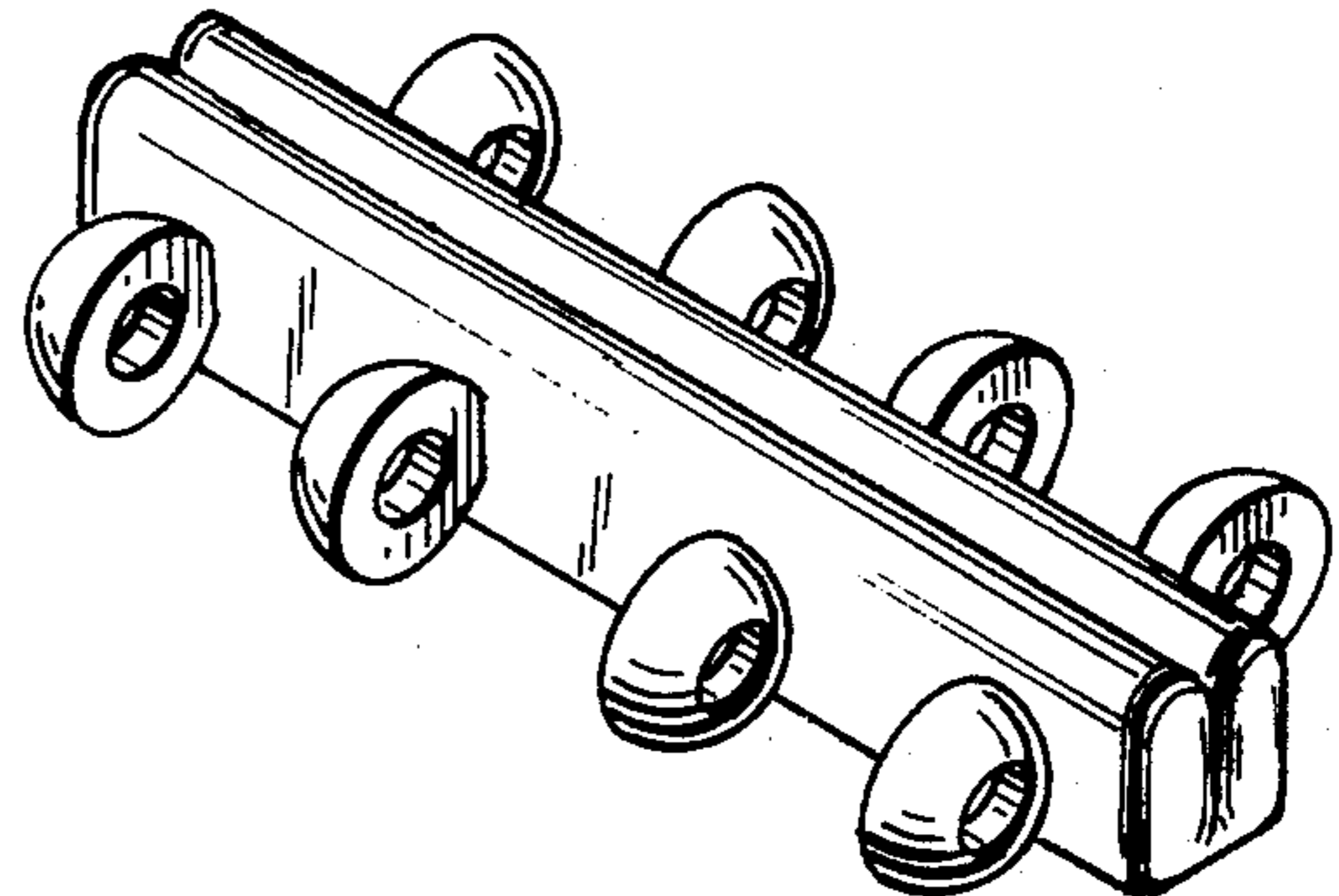
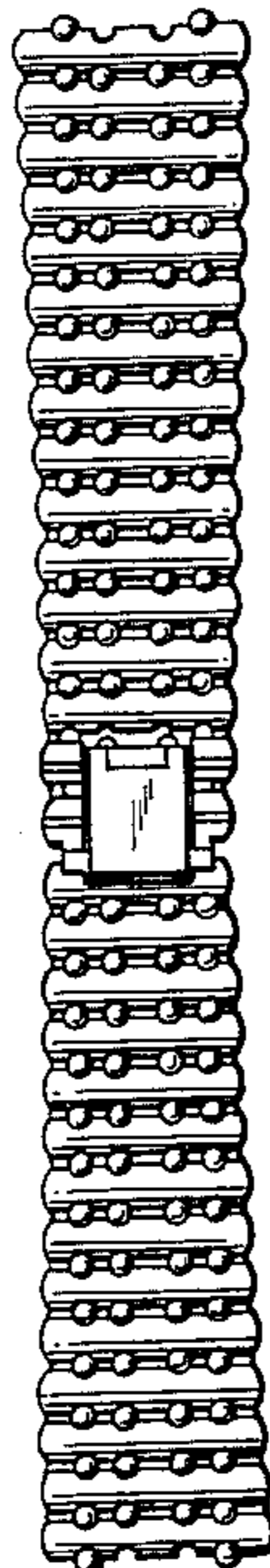
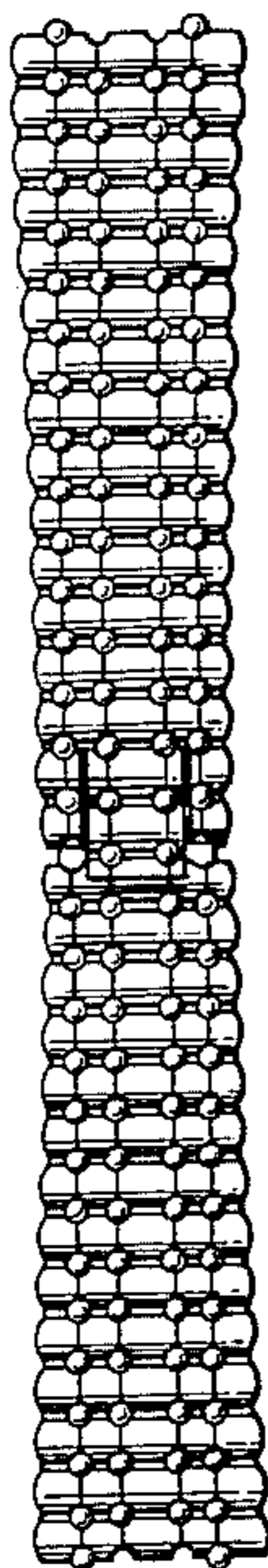
Primary Examiner—Louis S. Zarfaz
Attorney, Agent, or Firm—McGlew and Tuttle

[57] CLAIM

The ornamental design for a watch bracelet, as shown and described.

DESCRIPTION

FIG. 1 is a top plan view of a watch bracelet showing my new design;
 FIG. 2 is a bottom plan view of the bracelet;
 FIG. 3 is an edge view of the bracelet in curved position;
 FIG. 4 is an enlarged top plan view of a single link of the bracelet;
 FIG. 5 is a side elevational view taken along lines 5—5 of FIG. 4; and
 FIG. 6 is a perspective view thereof.



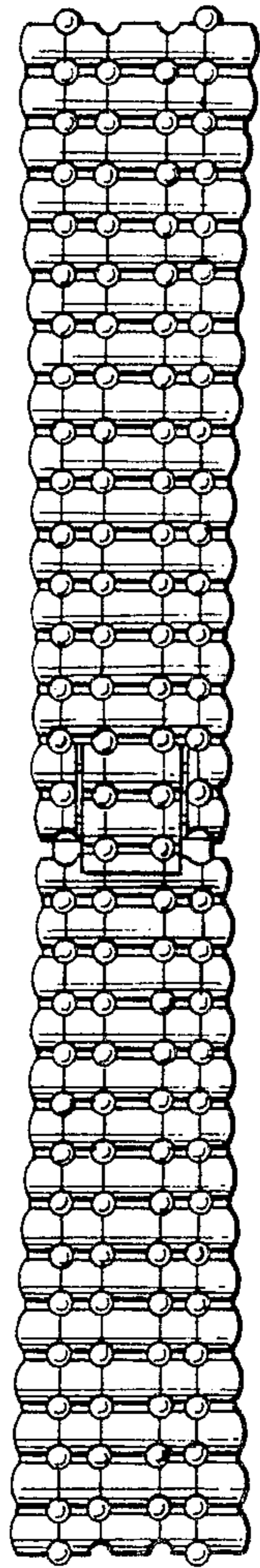


FIG. 1

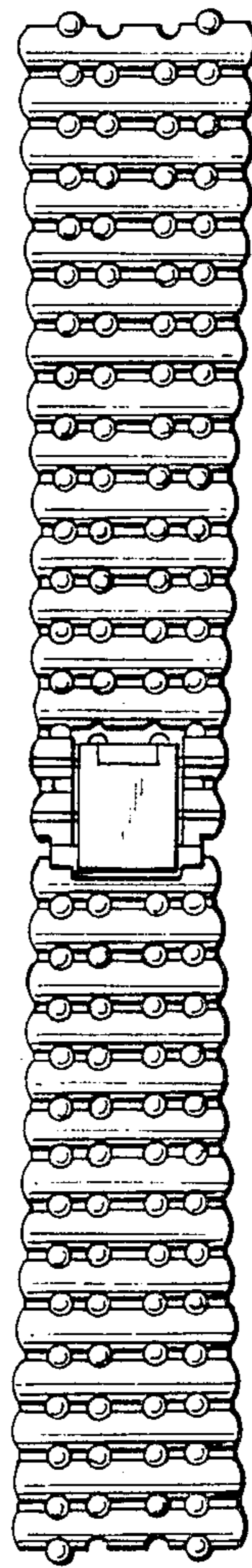


FIG. 2

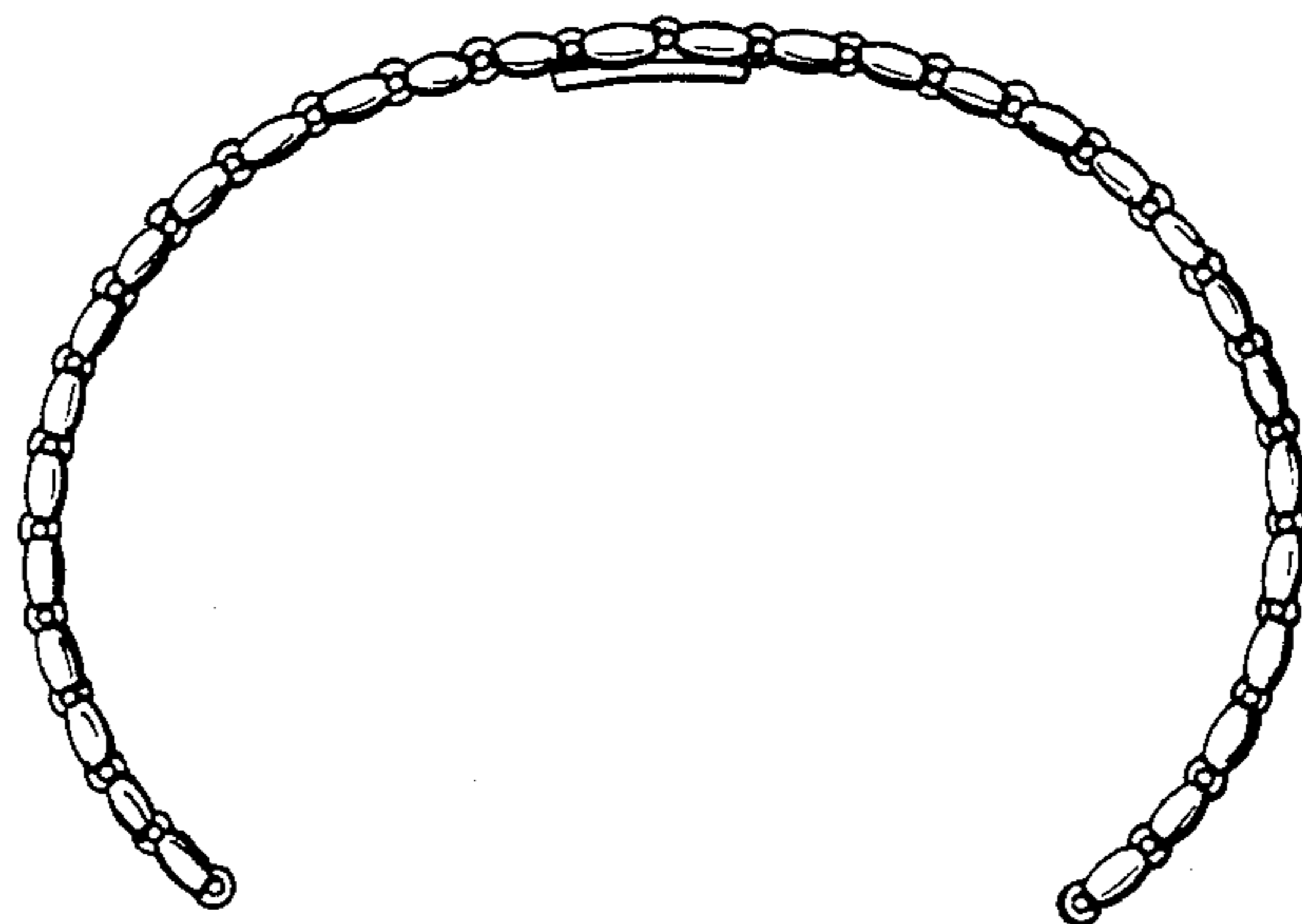


FIG. 3

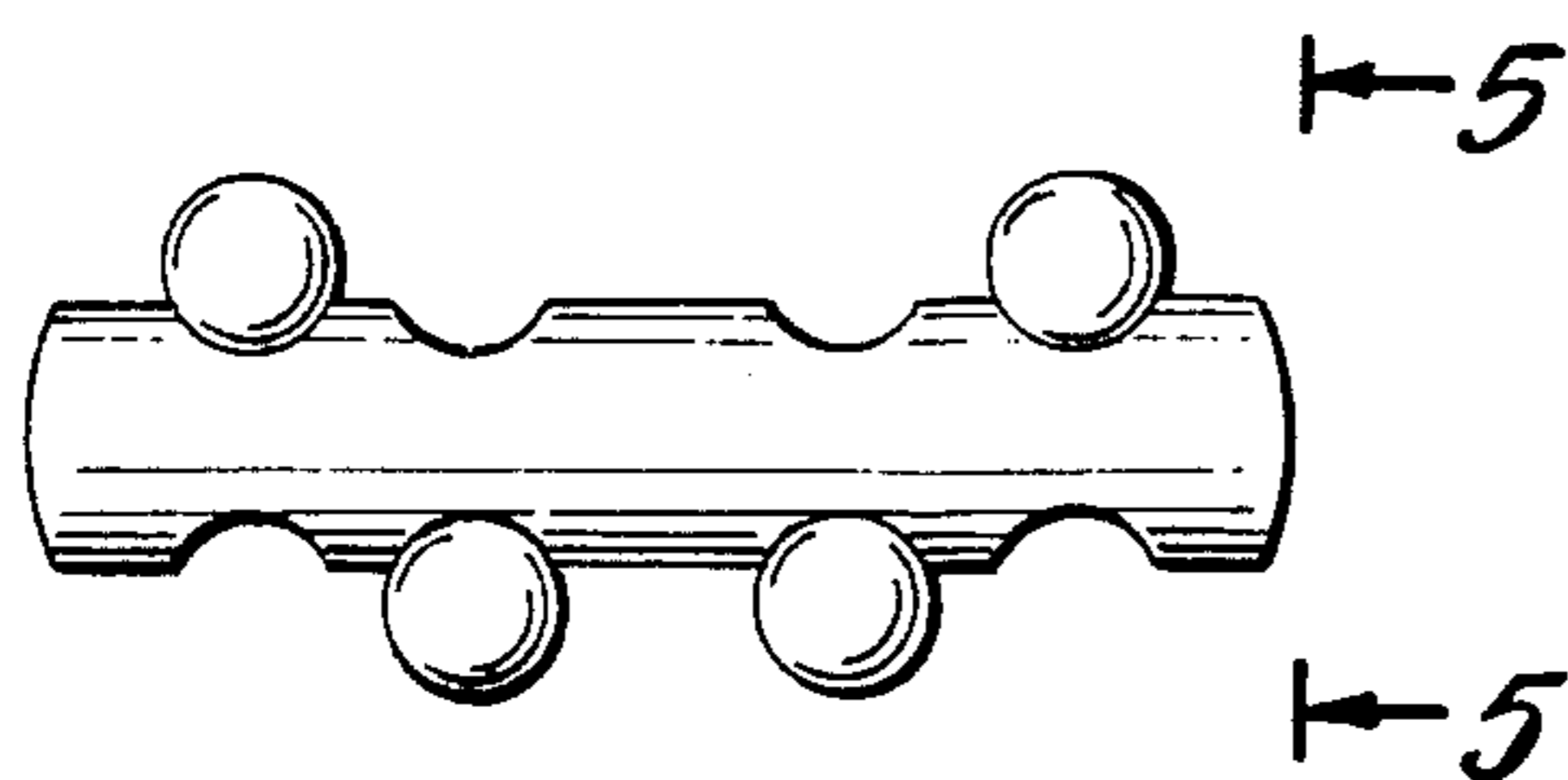


FIG. 4



FIG. 5

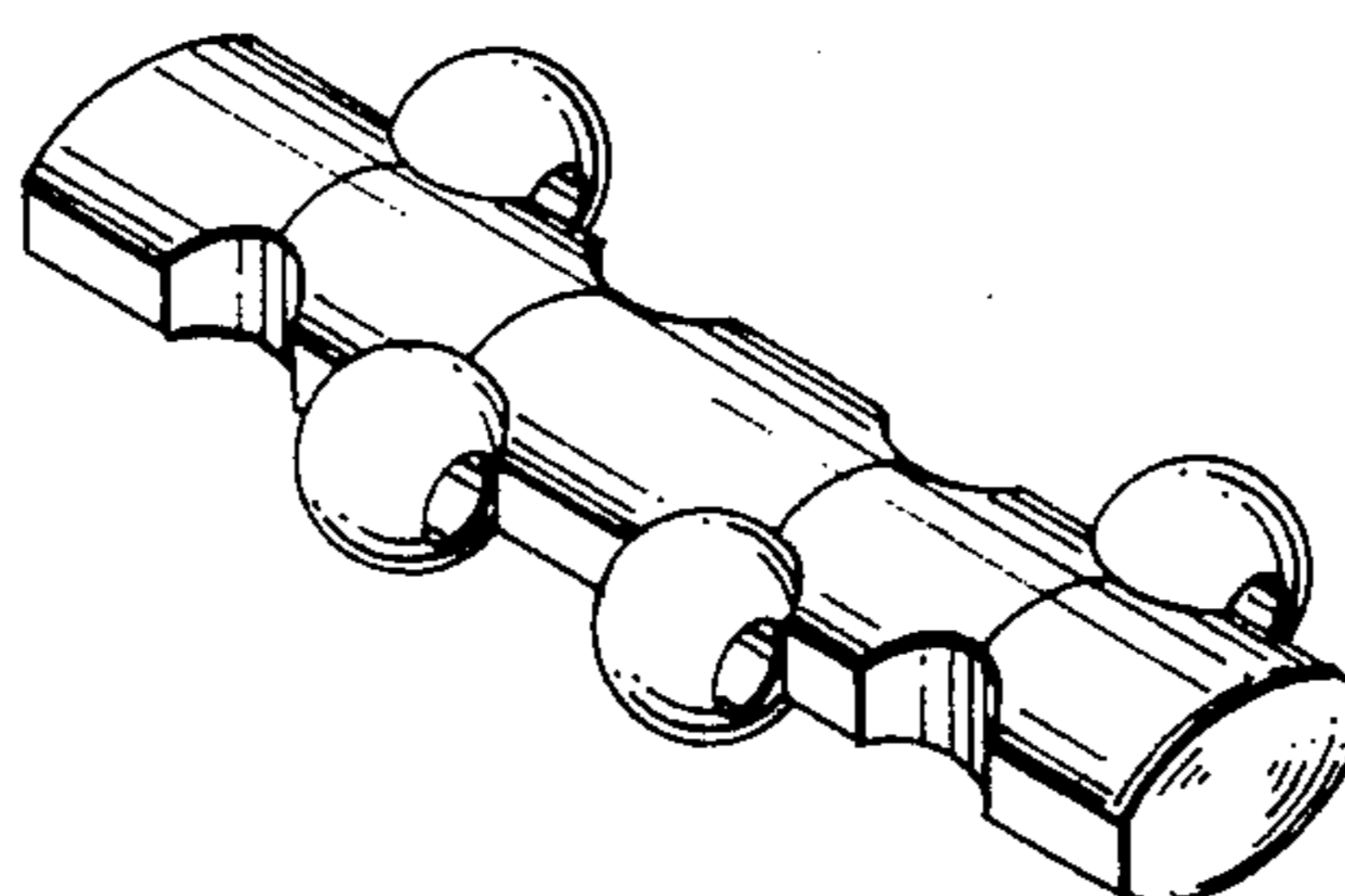


FIG. 6